



US00D752505S

(12) **United States Design Patent**
Dhanens et al.

(10) **Patent No.:** **US D752,505 S**
(45) **Date of Patent:** **** Mar. 29, 2016**

(54) **TIRE**

B60C 7/06; B60C 7/08; B60C 5/00; B60C 13/00

(71) Applicant: **ARTIC INVESTMENT S.A.**,
Luxembourg (LU)

See application file for complete search history.

(72) Inventors: **Wesley Dhanens**, Zomergem (BE);
Lenn Tilley, Buggenhout (BE); **Thomas Helin**,
Nieuwerkerken (BE); **Stijn Ardans**, Ghent (BE);
Dirk Impens, Eke (BE)

(56) **References Cited**

U.S. PATENT DOCUMENTS

D412,302	S	*	7/1999	Rayman	D12/579
D420,630	S	*	2/2000	De Coninck	D12/600
D612,800	S	*	3/2010	Lundgren	D12/579
D634,266	S	*	3/2011	Shan	D12/599
D634,701	S	*	3/2011	Shan	D12/599
D636,330	S	*	4/2011	Pringiers	D12/593
D642,115	S	*	7/2011	Pringiers	D12/579
D642,116	S	*	7/2011	Pringiers	D12/586
D662,038	S	*	6/2012	Mayni	D12/600

(73) Assignee: **Artic Investment S.A.**, Luxembourg (LU)

(**) Term: **14 Years**

* cited by examiner

(21) Appl. No.: **29/502,407**

Primary Examiner — Manpreet Matharu

(22) Filed: **Sep. 16, 2014**

Assistant Examiner — Keith Wilson

(30) **Foreign Application Priority Data**

(74) *Attorney, Agent, or Firm* — Kirschstein, Israel, Schiffmiller & Pieroni, P.C.

Mar. 26, 2014 (EM) 001407100-0001

(51) **LOC (10) Cl.** **12-15**

(52) **U.S. Cl.**
USPC **D12/579**

(57) **CLAIM**
The ornamental design for a tire, as shown.

(58) **Field of Classification Search**

DESCRIPTION

USPC D12/145, 500–605, 900–901; 152/5, 152/151, 152.1, 167, 208, 209.1–209.28, 152/246, 450, 526, 527, 532, 535, 538, 152/541; 425/28.1
CPC B60C 11/00–11/246; B60C 2011/0337; B60C 2011/0339; B60C 2011/0386; B60C 3/00–3/08; B60C 1/00; B60C 2200/00; B60C 2200/02; B60C 2200/04; B60C 2200/06; B60C 2200/065; B60C 2200/08; B60C 2200/10; B60C 2200/12; B60C 2200/14; B60C 7/00; B60C 7/02; B60C 7/04;

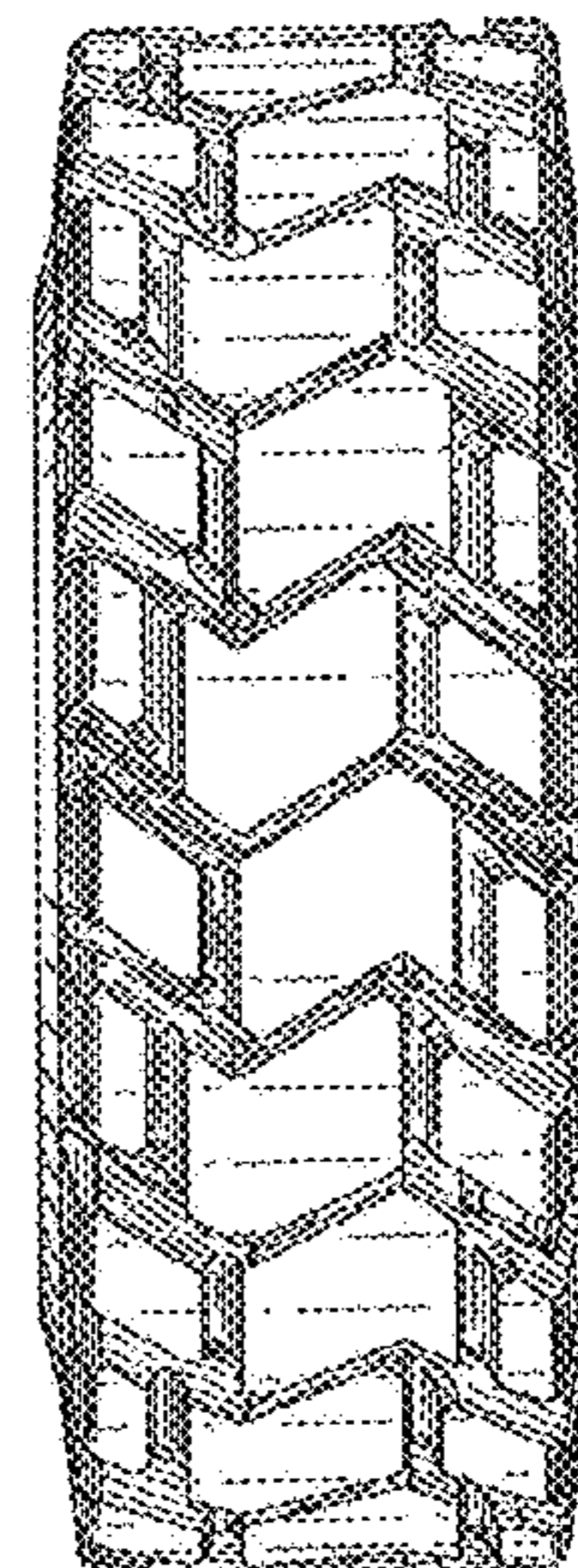
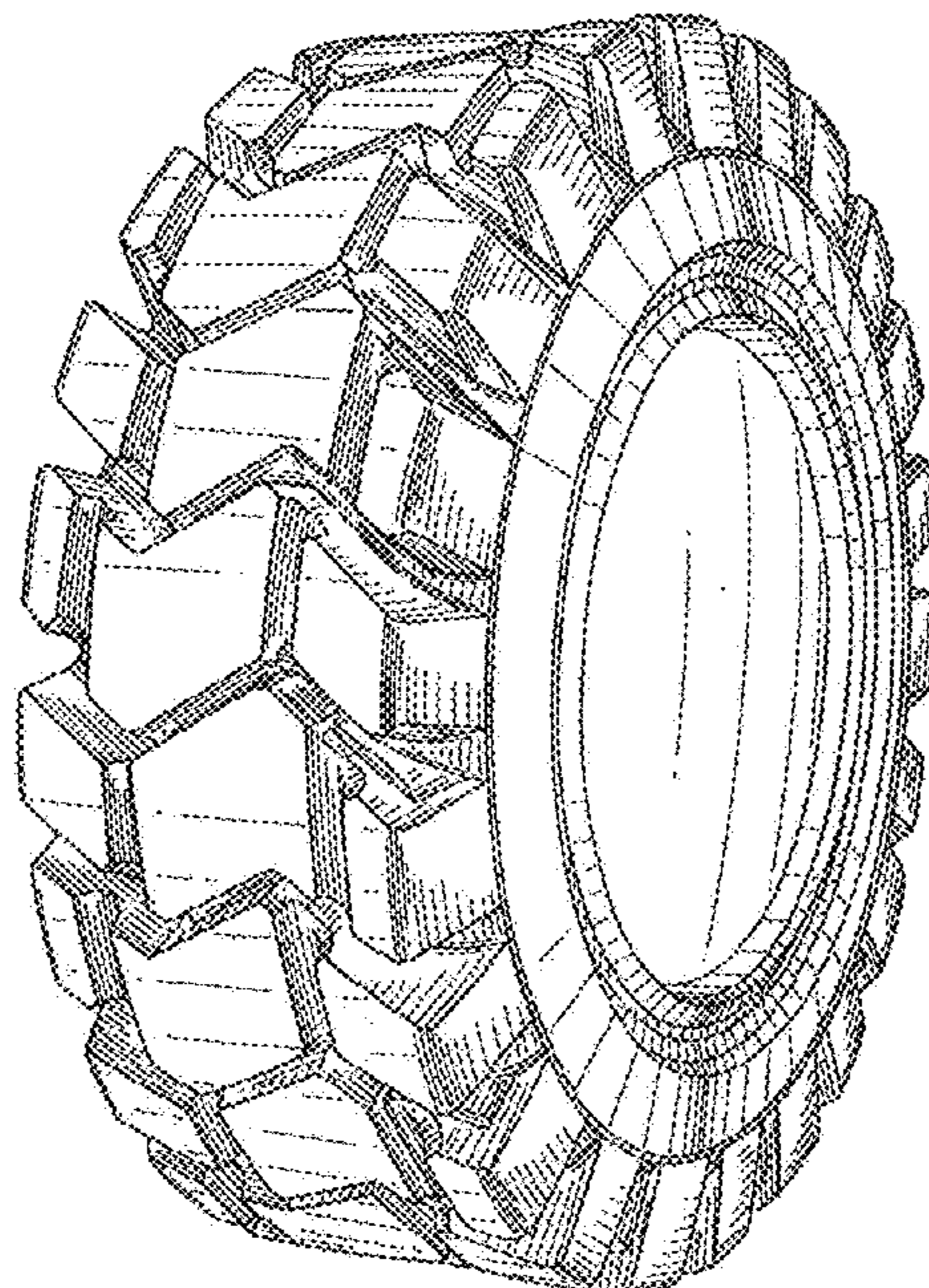
FIG. 1 is a perspective view of a tire according to our new design.

FIG. 2 is a front elevational view thereof, the rear, top and bottom views being mirror images; and,

FIG. 3 is a right side elevational view thereof, the opposite side view being a mirror image.

The broken lines form no part of the claimed design.

1 Claim, 3 Drawing Sheets



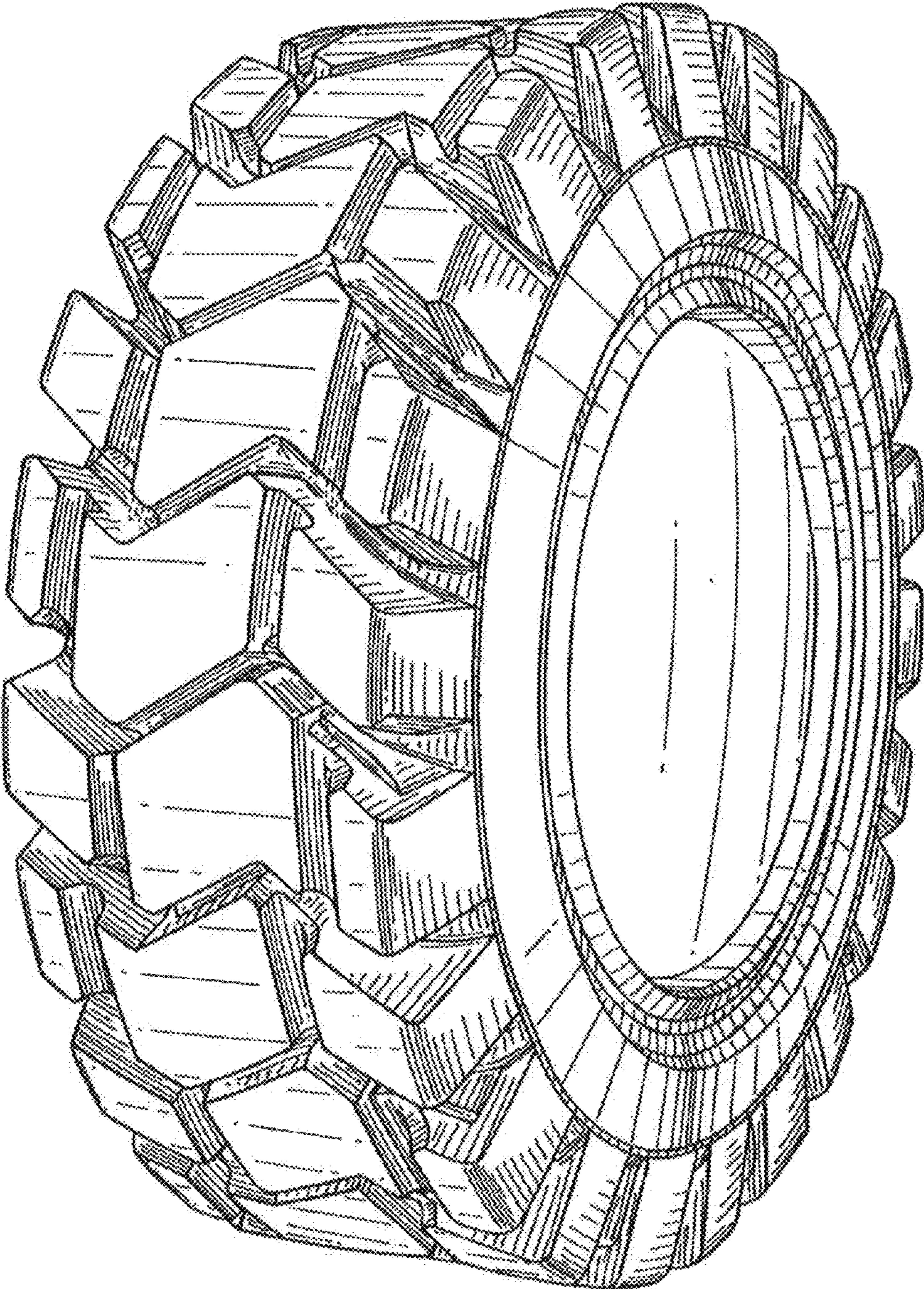


FIG. 1

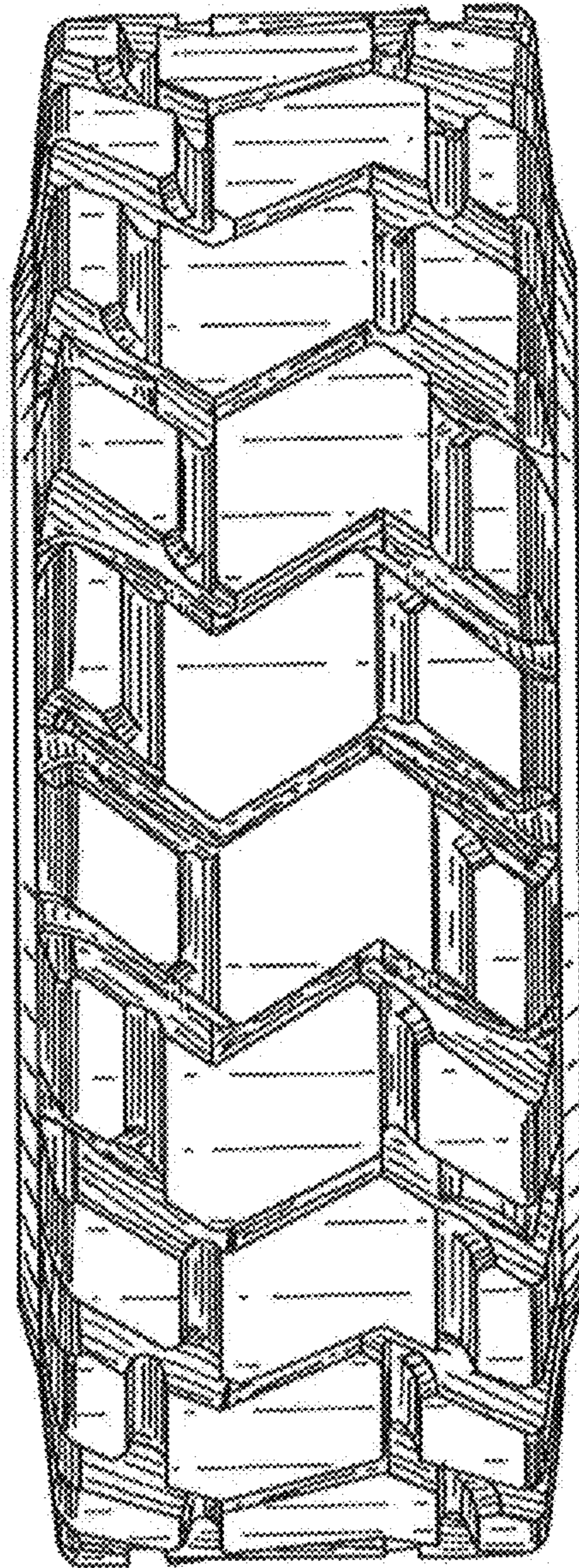


FIG. 2

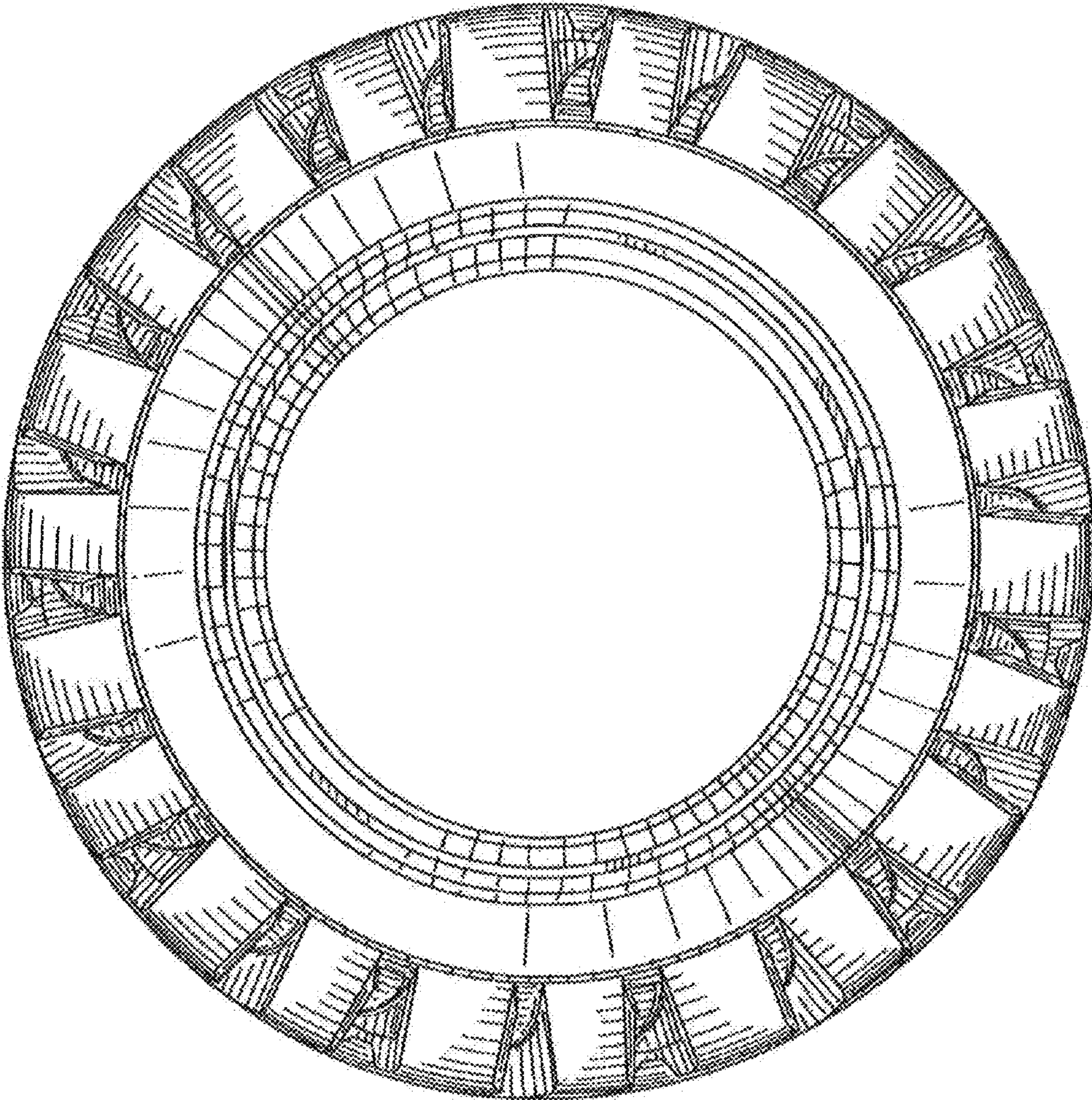


FIG. 3