

US00D752504S

(12) **United States Design Patent**
Sareen

(10) **Patent No.:** **US D752,504 S**
(45) **Date of Patent:** **** Mar. 29, 2016**

(54) **TIRE TREAD**

(71) Applicant: **Omni United (S) Pte Ltd.**, Singapore
(SG)

(72) Inventor: **Gajendra Singh Sareen**, Singapore
(SG)

(73) Assignee: **Omni United (S) Pte Ltd.**, Singapore
(SG)

(**) Term: **15 Years**

(21) Appl. No.: **29/532,845**

(22) Filed: **Jul. 10, 2015**

(51) **LOC (10) Cl.** **12-16**

(52) **U.S. Cl.**

USPC **D12/521**

(58) **Field of Classification Search**

USPC D12/500-532, 900-901

CPC B60C 11/0304; B60C 11/0302; B60C

11/0306; B60C 11/0309; B60C 11/0318;

B60C 11/0311; B60C 11/042; B60C 11/13;

B60C 11/00; B60C 11/11; B60C 11/12

See application file for complete search history.

(56) **References Cited**

U.S. PATENT DOCUMENTS

D455,395 S	4/2002	Blankenship et al.	
D477,565 S	7/2003	Terver et al.	
D490,046 S *	5/2004	Fukunaga	D12/521
D498,206 S	11/2004	Cazin-Bourguignon et al.	
D514,058 S	1/2006	Murata	
D545,756 S *	7/2007	Feider	D12/521
D561,683 S	2/2008	Kiwaki	
D599,277 S *	9/2009	Froger	D12/521
D603,787 S	11/2009	Lim et al.	
D606,486 S	12/2009	Lee	
D627,712 S	11/2010	Cole et al.	

D651,558 S	1/2012	Youn	
D664,913 S *	8/2012	Le	D12/521
D666,551 S *	9/2012	Schmidt-Zum Berge ...	D12/521
D668,207 S	10/2012	Brown et al.	
D668,598 S *	10/2012	Hughes	D12/521
D673,894 S *	1/2013	Hughes	D12/521
D685,719 S	7/2013	Ochi	
D685,720 S	7/2013	Ochi	
D686,140 S	7/2013	Ochi	
D694,702 S *	12/2013	Leconte	D12/521
D696,621 S	12/2013	Harvey et al.	
D707,619 S *	6/2014	Fu	D12/521
D709,434 S *	7/2014	Kato	D12/521
D716,216 S	10/2014	Morito et al.	

(Continued)

Primary Examiner — Stacia Cadmus

(74) *Attorney, Agent, or Firm* — Perkins Coie LLP

(57) **CLAIM**

The ornamental design for a tire tread, as shown and described.

DESCRIPTION

FIG. 1 is a perspective view of a tire tread, showing my new design;

FIG. 2 is a front view thereof;

FIG. 3 is a side view thereof;

FIG. 4 is an enlarged perspective view of a section of the tire tread defined by lines 4-4 in FIG. 1;

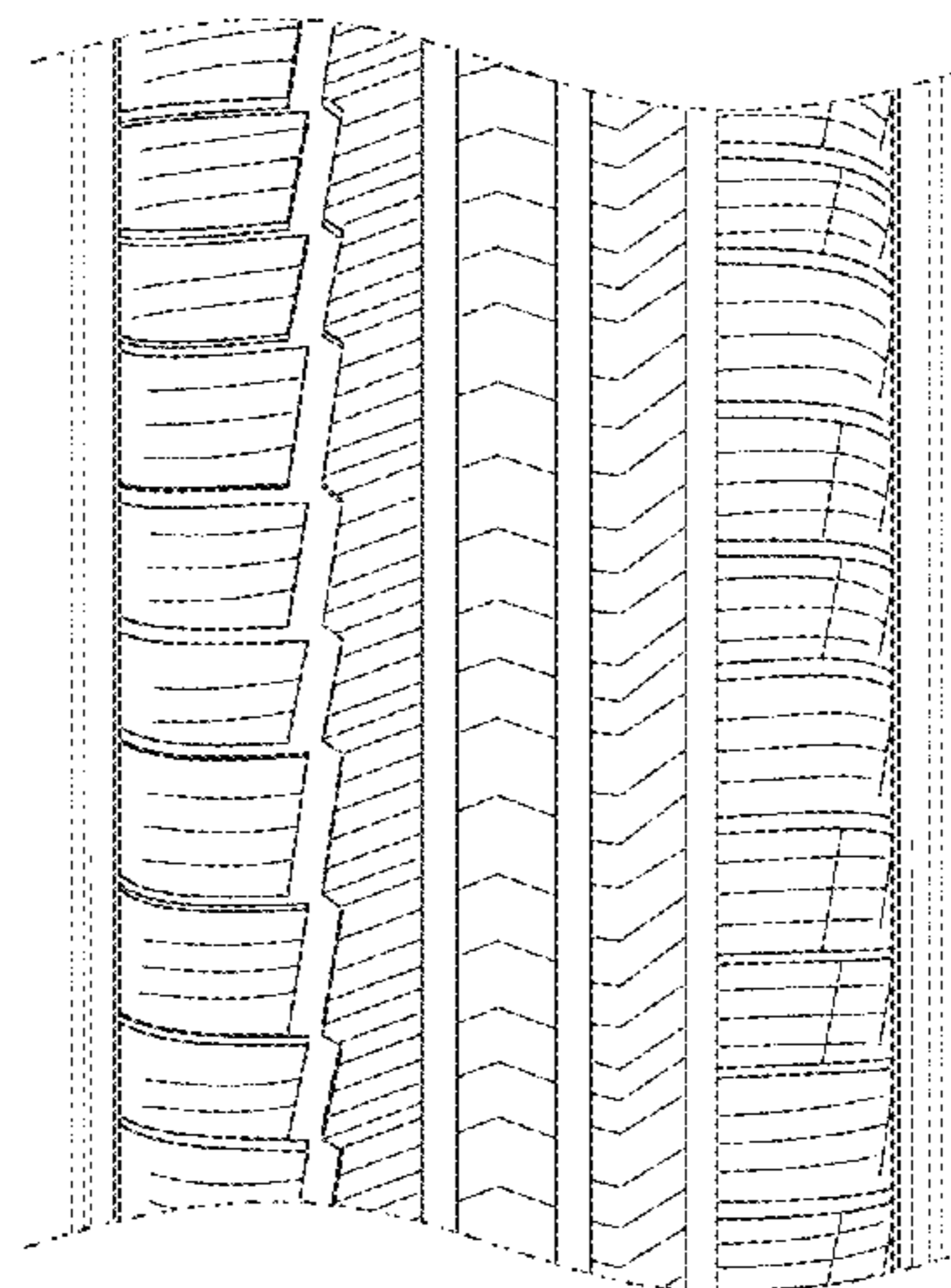
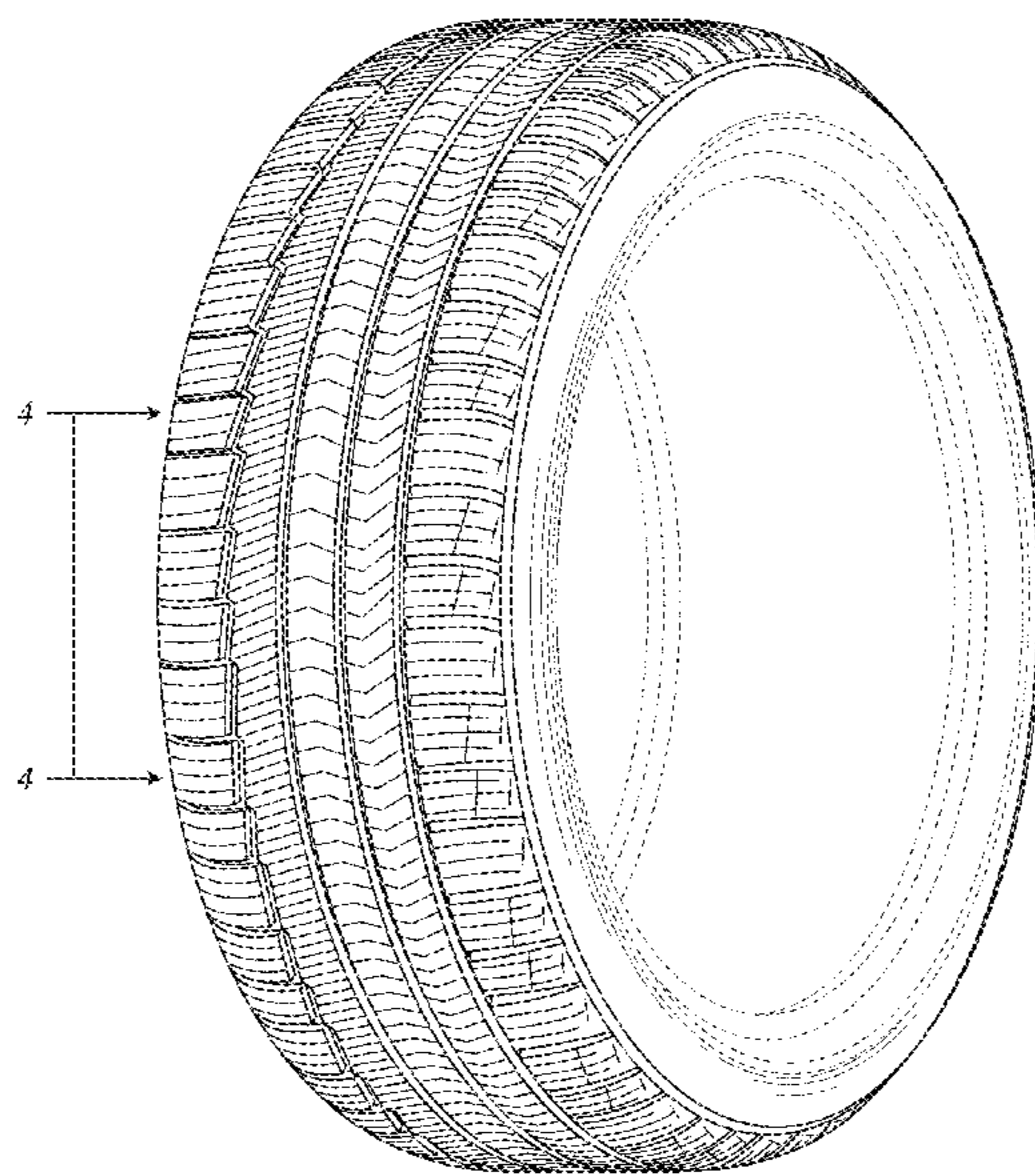
FIG. 5 is an enlarged front view of a section of the tire tread as defined by lines 5-5 in FIG. 2; and,

FIG. 6 is an enlarged side view of a section of the tire tread as defined by lines 6-6 in FIG. 3.

The broken lines in FIGS. 1-6 show portions of the tire tread or tire which form no part of the claimed design.

The dash dot lines on either side of the tire tread section in FIGS. 4-6 is for the purpose of illustrating the boundary of the claimed design and form no part thereof.

1 Claim, 6 Drawing Sheets



US D752,504 S

Page 2

(56)

References Cited

U.S. PATENT DOCUMENTS

D718,219 S 11/2014 Berzins et al.

D720,282 S * 12/2014 Kim D12/521

D735,637 S * 8/2015 Hughes D12/521

D739,339 S * 9/2015 Nomura D12/521

D743,872 S * 11/2015 Huang D12/519

* cited by examiner

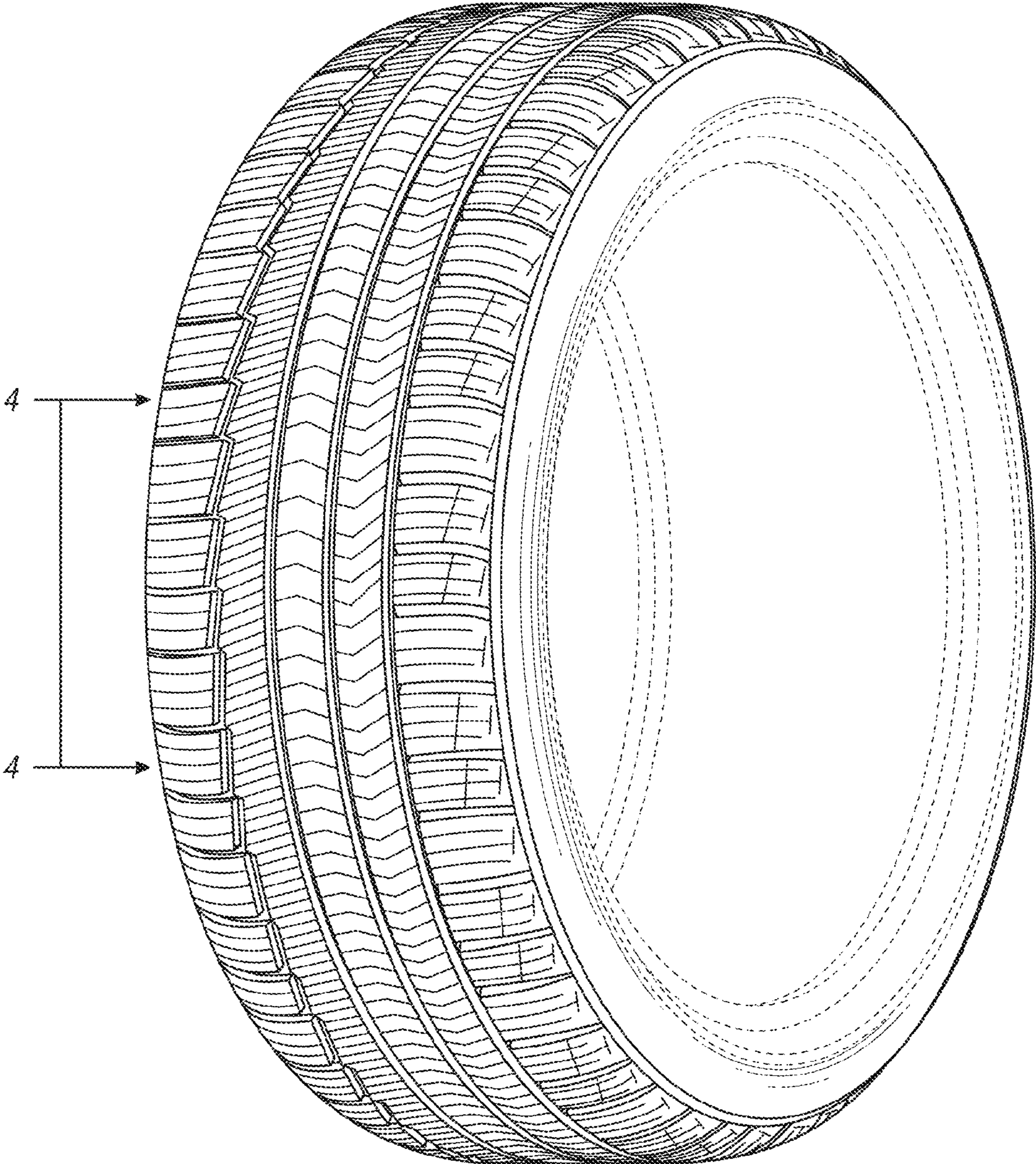


FIG. 1

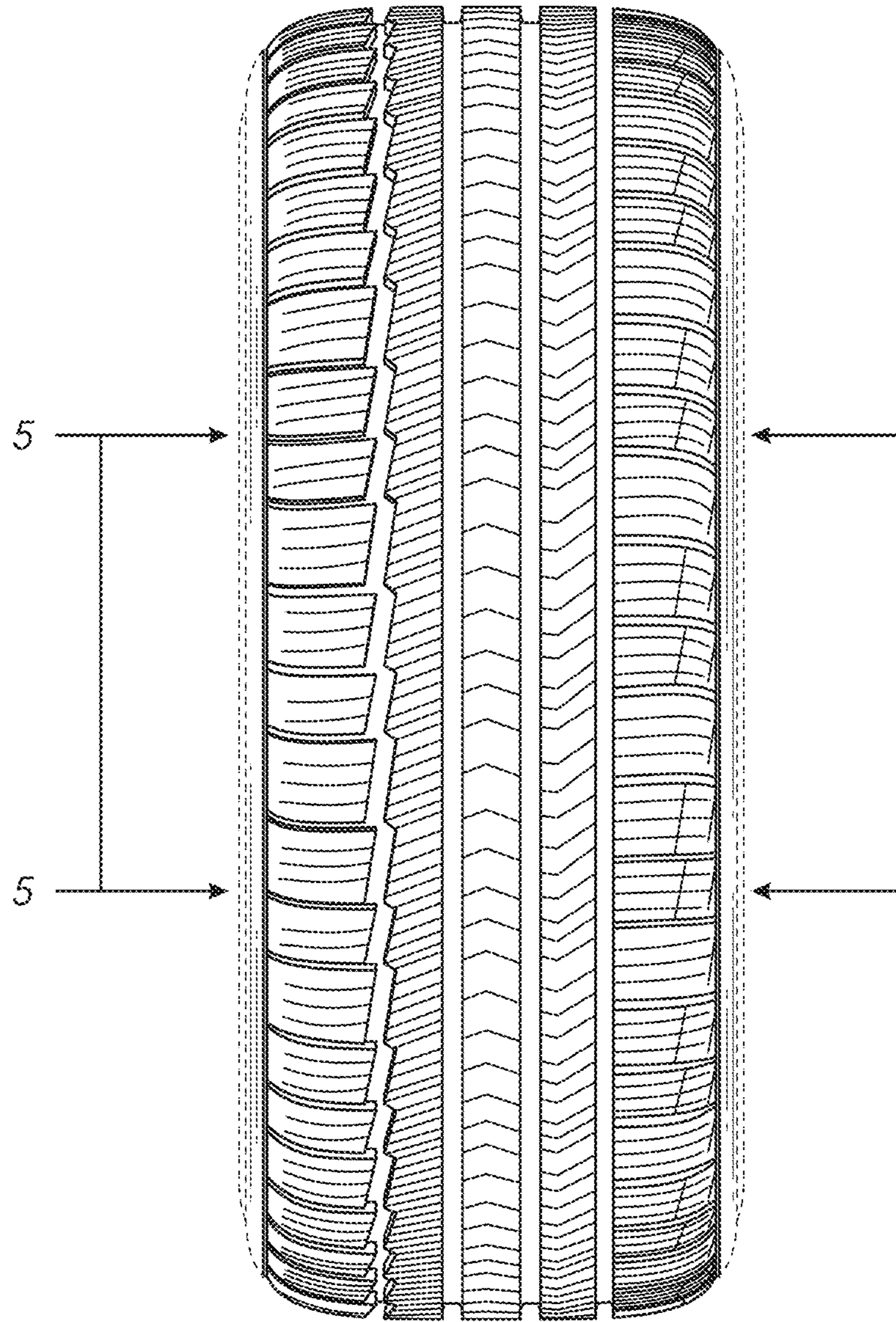


FIG. 2

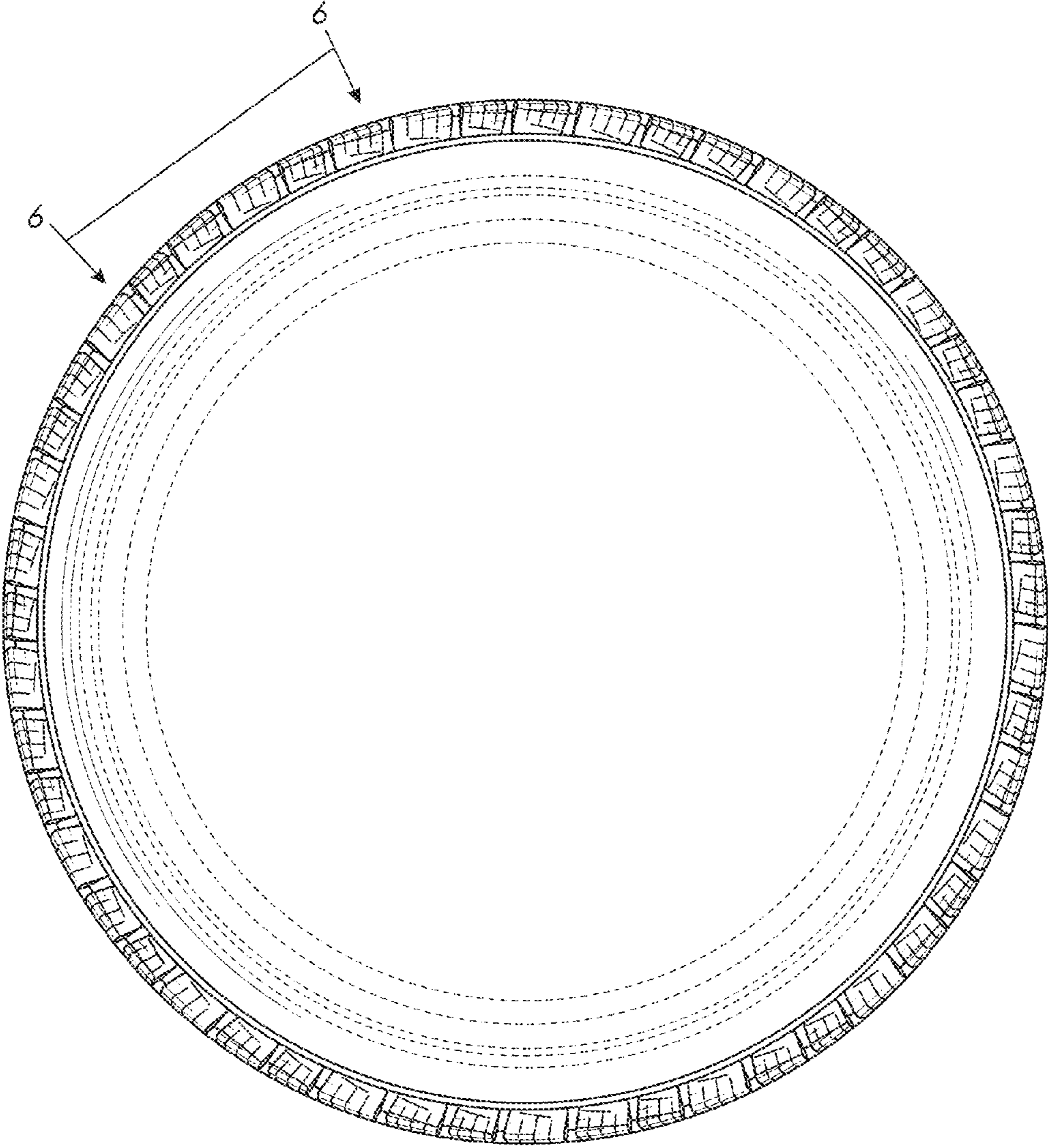


FIG. 3

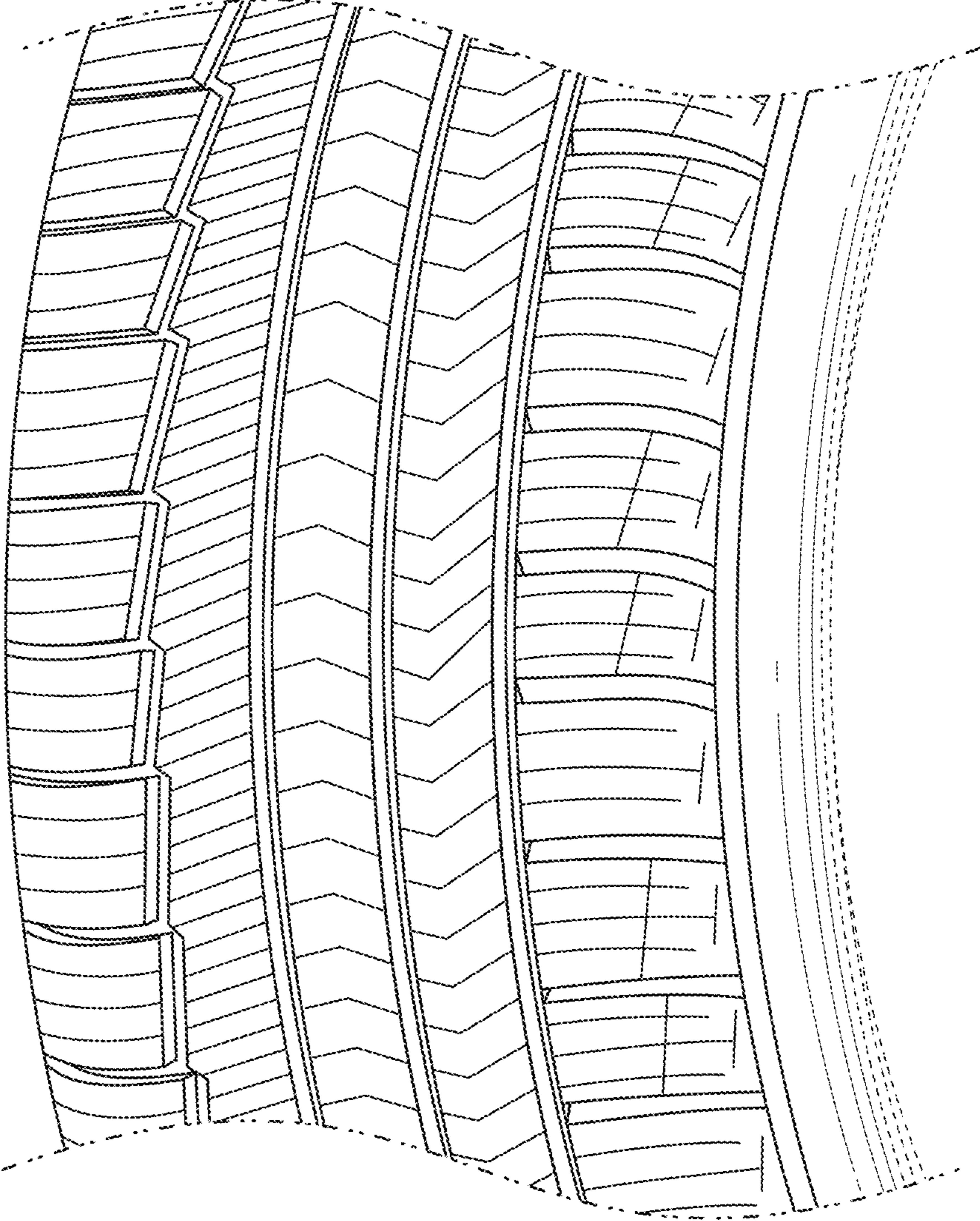


FIG. 4

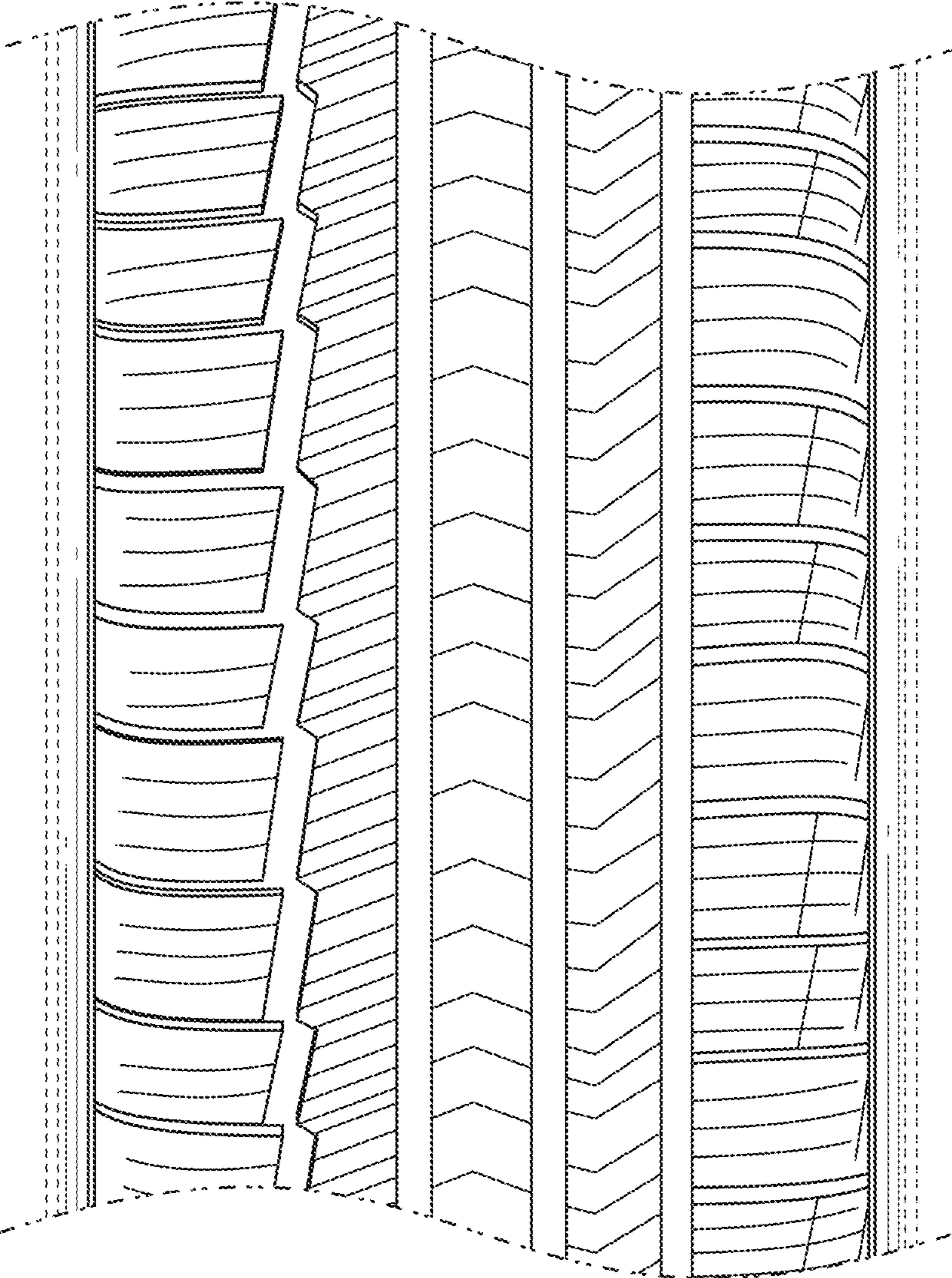


FIG. 5

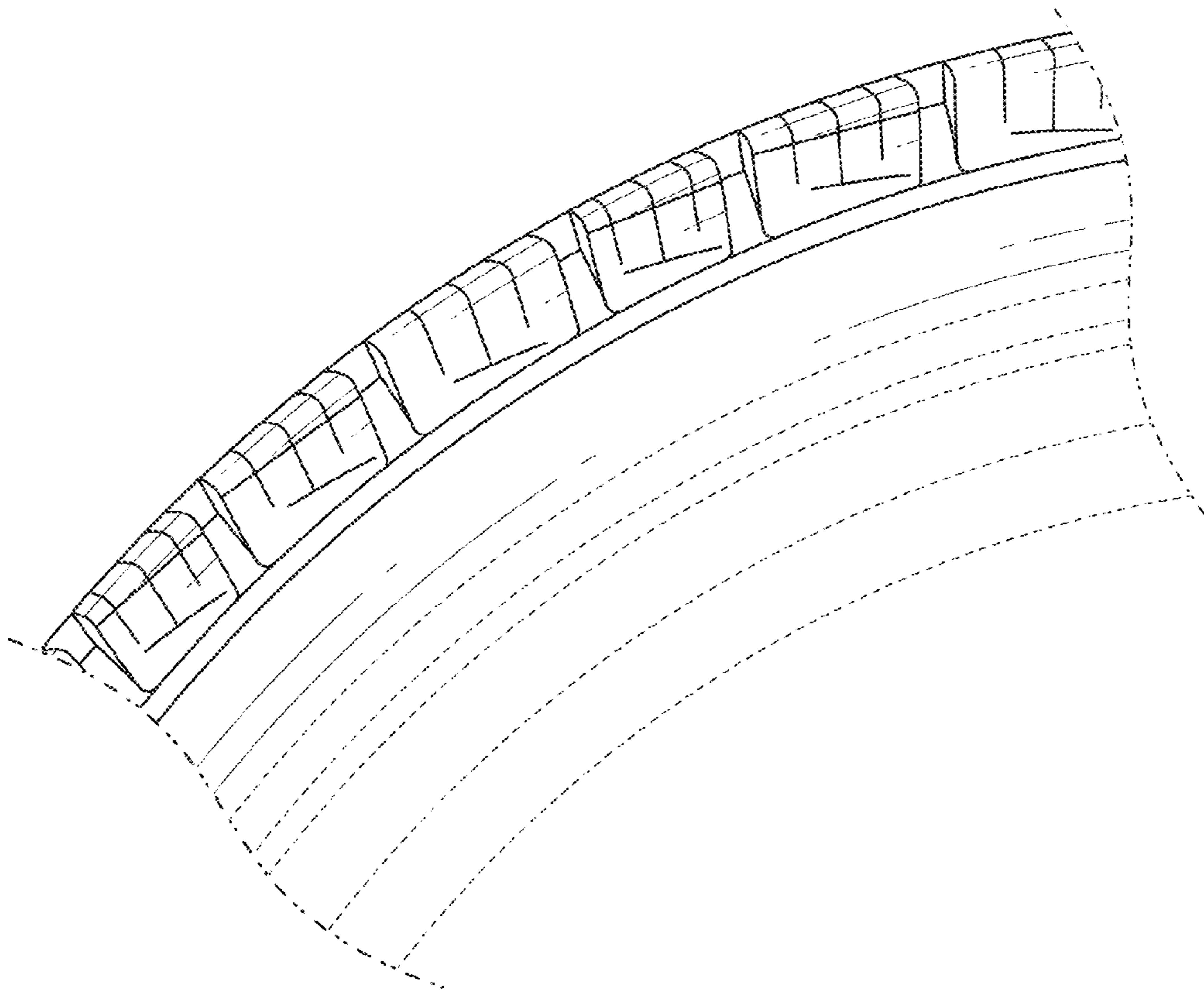


FIG. 6