



US00D752501S

(12) **United States Design Patent**
De Carvalho et al.

(10) **Patent No.:** **US D752,501 S**
(45) **Date of Patent:** **** *Mar. 29, 2016**

- (54) **AIRCRAFT FUSELAGE**
- (71) Applicant: **EMBRAER S.A.**, São José dos Campos/SP (BR)
- (72) Inventors: **Carlos Eduardo De Carvalho**, São José dos Campos (BR); **Alessandro Vassallo**, São José dos Campos (BR); **Amanda Oliveira Do Carmo**, São José dos Campos (BR); **André Gasparotti**, São José dos Campos (BR); **Bruno Kimura Castanha**, São José dos Campos (BR); **Carlos Augusto Fernandes Filho**, São José dos Campos (BR); **Carlos Marcelo Campos Teixeira**, São José dos Campos (BR); **Carlos Rosley Bernardes**, São José dos Campos (BR); **Demétrio Andrade De Campos**, São José dos Campos (BR); **Douglas De Albuquerque**, São José dos Campos (BR); **Emmanuel Basile Garakis**, São José dos Campos (BR); **Fernanda Loth Pugliesi**, São José dos Campos (BR); **Luz Maria Romero Tarazona**, São José dos Campos (BR); **Mateus Rodrigues Miranda**, São José dos Campos (BR); **Mauri Mendes De Oliveira**, São José dos Campos (BR); **Ricardo Athayde Abelheira**, São José dos Campos (BR); **Silvio Hideo Lemos Mochiduky**, São José dos Campos (BR); **Sergio Raphael Fonseca Affonso**, São José dos Campos (BR); **Walter Affonso, Jr.**, São José dos Campos (BR)
- (73) Assignee: **EMBRAER S.A.**, São José dos Campos, SP (BR)
- (*) Notice: This patent is subject to a terminal disclaimer.
- (**) Term: **14 Years**
- (21) Appl. No.: **29/451,908**

- (22) Filed: **Apr. 10, 2013**
- (51) **LOC (10) Cl.** **12-07**
- (52) **U.S. Cl.**
USPC **D12/319**; D12/345
- (58) **Field of Classification Search**
USPC D12/319, 320, 324-344, 345;
244/117 R, 119, 121, 125, 129.1, 129.3;
52/208; 114/173
CPC B64C 1/00; B64C 1/14; B64C 1/1484;
B64C 1/1492; E06B 3/00; E06B 7/00; B63B
19/00; B63B 19/02
See application file for complete search history.

(56) **References Cited**

U.S. PATENT DOCUMENTS

2,293,656 A *	8/1942	McClain	52/208
2,784,926 A *	3/1957	Bonza et al.	244/129.3

(Continued)

Primary Examiner — Martie K Holtje

(74) *Attorney, Agent, or Firm* — Nixon & Vanderhye P.C.

(57) **CLAIM**

The ornamental design for an “aircraft fuselage,” as shown and described.

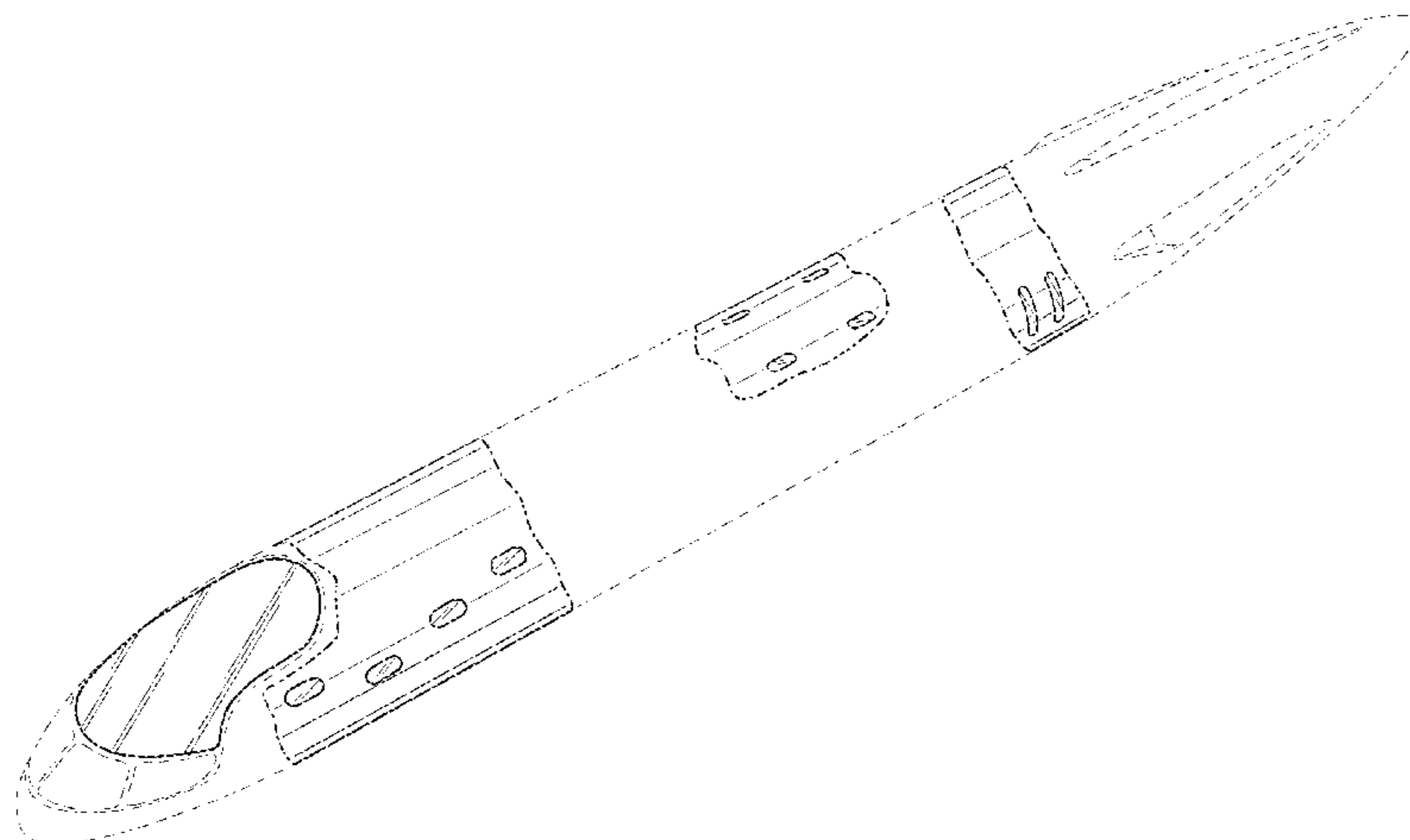
DESCRIPTION

FIG. 1 is a top, right front perspective view an aircraft fuselage showing our new design;
 FIG. 2 is a top, left front perspective view thereof;
 FIG. 3 is a top plan view thereof;
 FIG. 4 is a left side elevational view thereof; and,
 FIG. 5 is a right side elevational view thereof.

The bottom plan view, not shown, forms no part of the claimed design.

The structural features depicted by broken lines have been shown for the purpose of illustrating portions of the aircraft fuselage that form no part of the claimed design. The dot-dash lines represent boundaries between claimed and unclaimed subject matter.

1 Claim, 4 Drawing Sheets



(56)

References Cited

U.S. PATENT DOCUMENTS

3,429,530 A * 2/1969 Heinrich 244/129.3
4,669,410 A * 6/1987 Howell 114/173
5,031,862 A * 7/1991 Rhodes 244/121
D326,842 S * 6/1992 Buchsel et al. D12/319

6,736,352 B2 * 5/2004 Bladt et al. 244/129.3
7,118,069 B2 * 10/2006 Novak et al. 244/119
7,281,686 B2 * 10/2007 Wood 244/129.3
7,438,263 B2 * 10/2008 Rassaian et al. 244/129.3
D625,679 S * 10/2010 Stinemetze et al. D12/319
7,823,832 B2 * 11/2010 Wood et al. 244/129.3

* cited by examiner

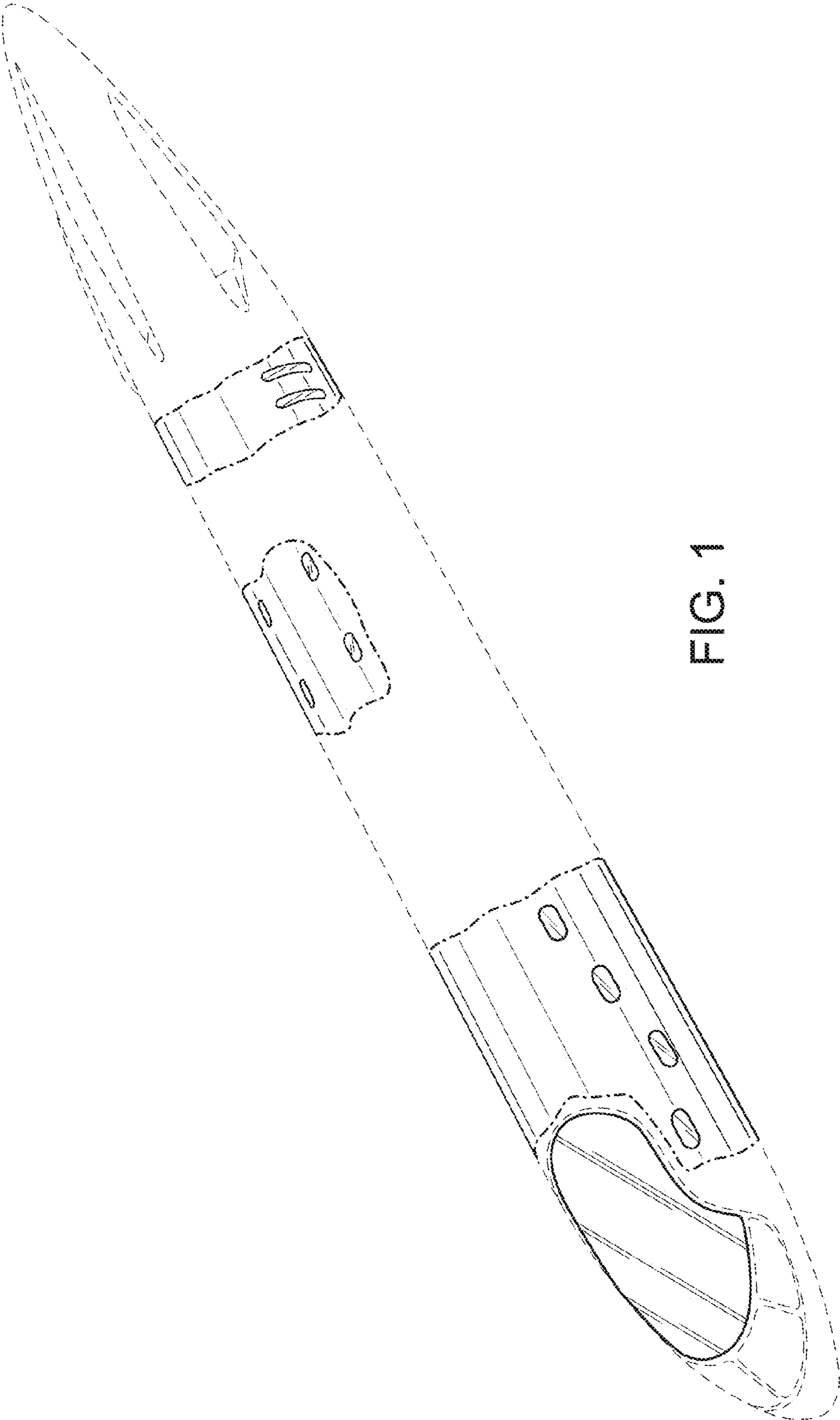


FIG. 1

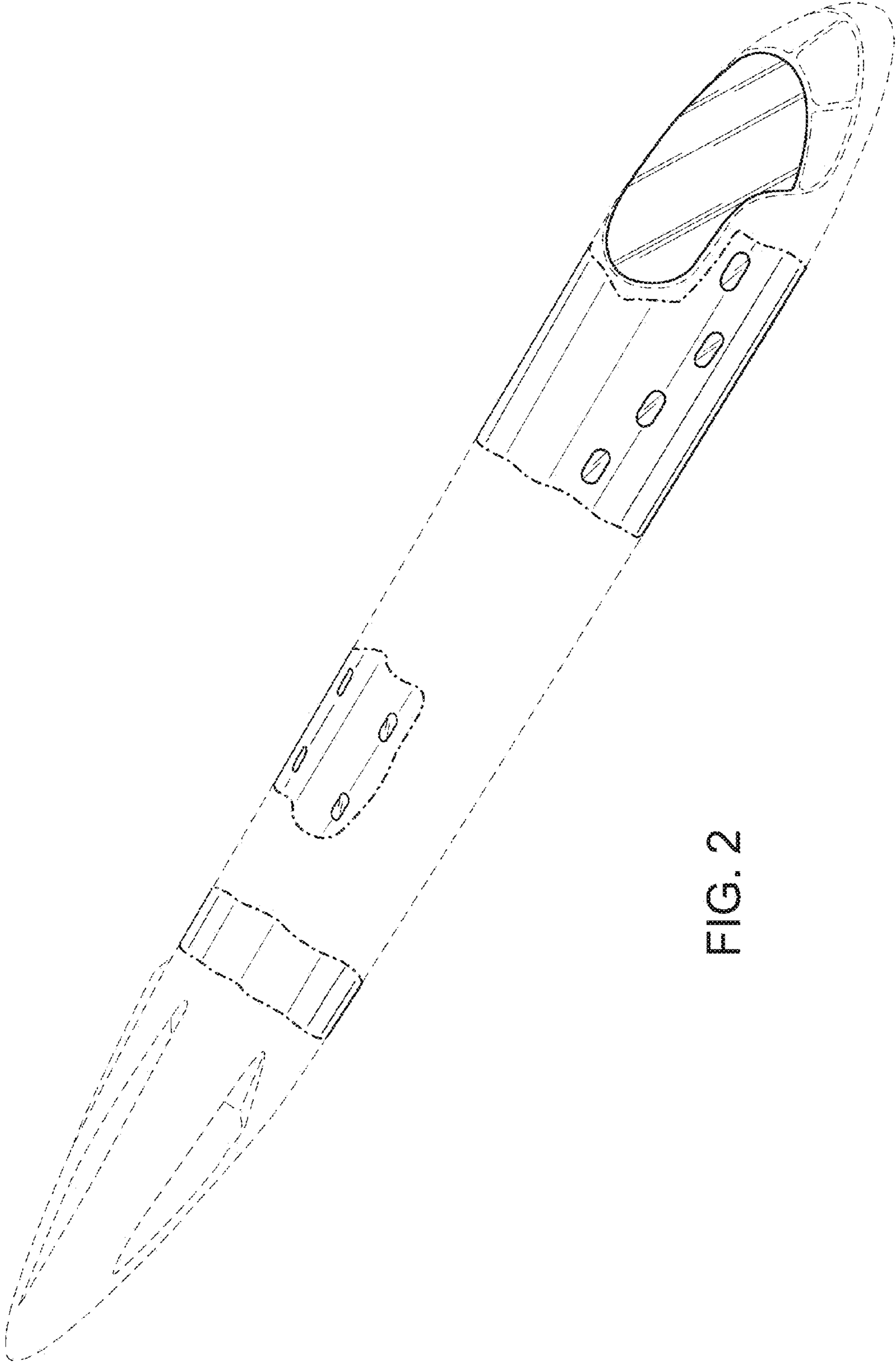


FIG. 2

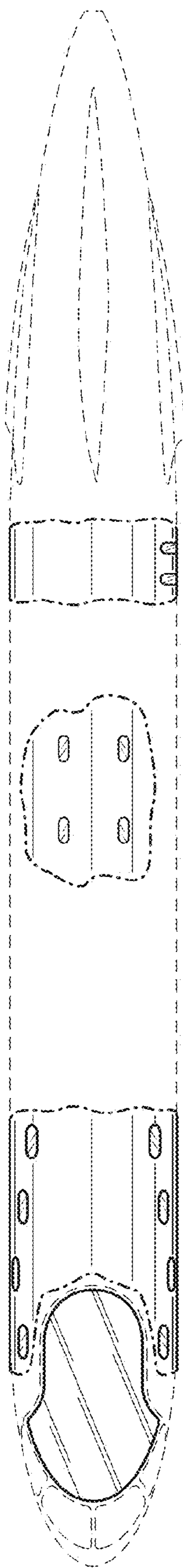


FIG. 3

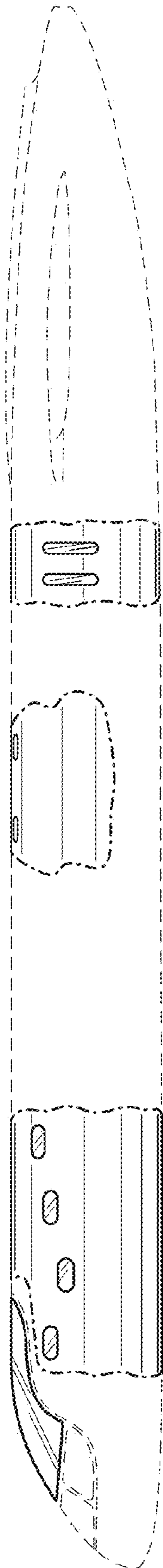


FIG. 4

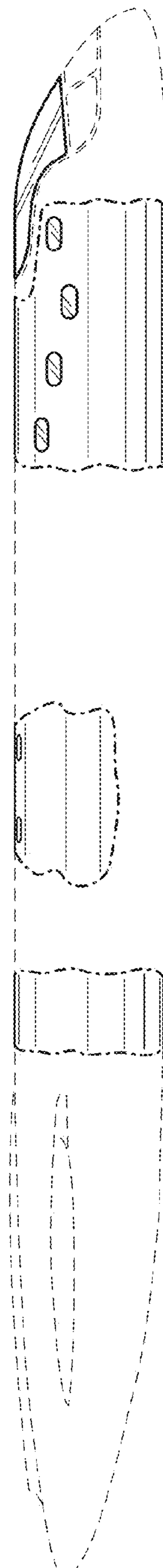


FIG. 5