



US00D752493S

(12) **United States Design Patent**
Spencer et al.

(10) **Patent No.:** **US D752,493 S**
(45) **Date of Patent:** **** *Mar. 29, 2016**

- (54) **LICENSE PLATE FRAME**
- (71) Applicant: **Cruiser Accessories, LLC**, Monument, CO (US)
- (72) Inventors: **Todd Spencer**, Monument, CO (US); **Eldon Goates**, Colorado Springs, CO (US); **Bret Zelenka**, Monument, CO (US); **Michael J. Schwartz**, Colorado Springs, CO (US)
- (73) Assignee: **Cruiser Accessories, LLC**, Monument, CO (US)
- (*) Notice: This patent is subject to a terminal disclaimer.
- (**) Term: **14 Years**
- (21) Appl. No.: **29/485,201**
- (22) Filed: **Mar. 17, 2014**
- (51) **LOC (10) Cl.** **12-16**
- (52) **U.S. Cl.**
USPC **D12/193**
- (58) **Field of Classification Search**
USPC D12/193; D6/300, 301, 302, 310, 311, D6/312, 313, 314; D20/13; 40/200, 201, 40/202, 203, 204, 207-214; 348/148, 373
See application file for complete search history.

D424,003 S *	5/2000	Steinhagen	D12/193
D428,843 S *	8/2000	Steinhagen	D12/193
D531,558 S *	11/2006	Peng	D12/193
D566,025 S *	4/2008	Hu	D12/193
D576,531 S *	9/2008	Block et al.	D12/193
D593,917 S *	6/2009	Spencer et al.	D12/193
D623,106 S *	9/2010	Hu	D12/193
D633,020 S *	2/2011	Ziegler et al.	D12/193
8,291,627 B1 *	10/2012	Spencer et al.	40/209
D689,804 S *	9/2013	Spencer et al.	D12/193
D689,806 S *	9/2013	Spencer et al.	D12/193
D700,553 S *	3/2014	Spencer et al.	D12/193
D705,712 S *	5/2014	Spencer et al.	D12/193

* cited by examiner

Primary Examiner — Caron D Veynar
Assistant Examiner — Natasha Vujcic

(74) *Attorney, Agent, or Firm* — Linda Flewellen Gould

(57) **CLAIM**

The ornamental design for a license plate frame, as shown and described.

DESCRIPTION

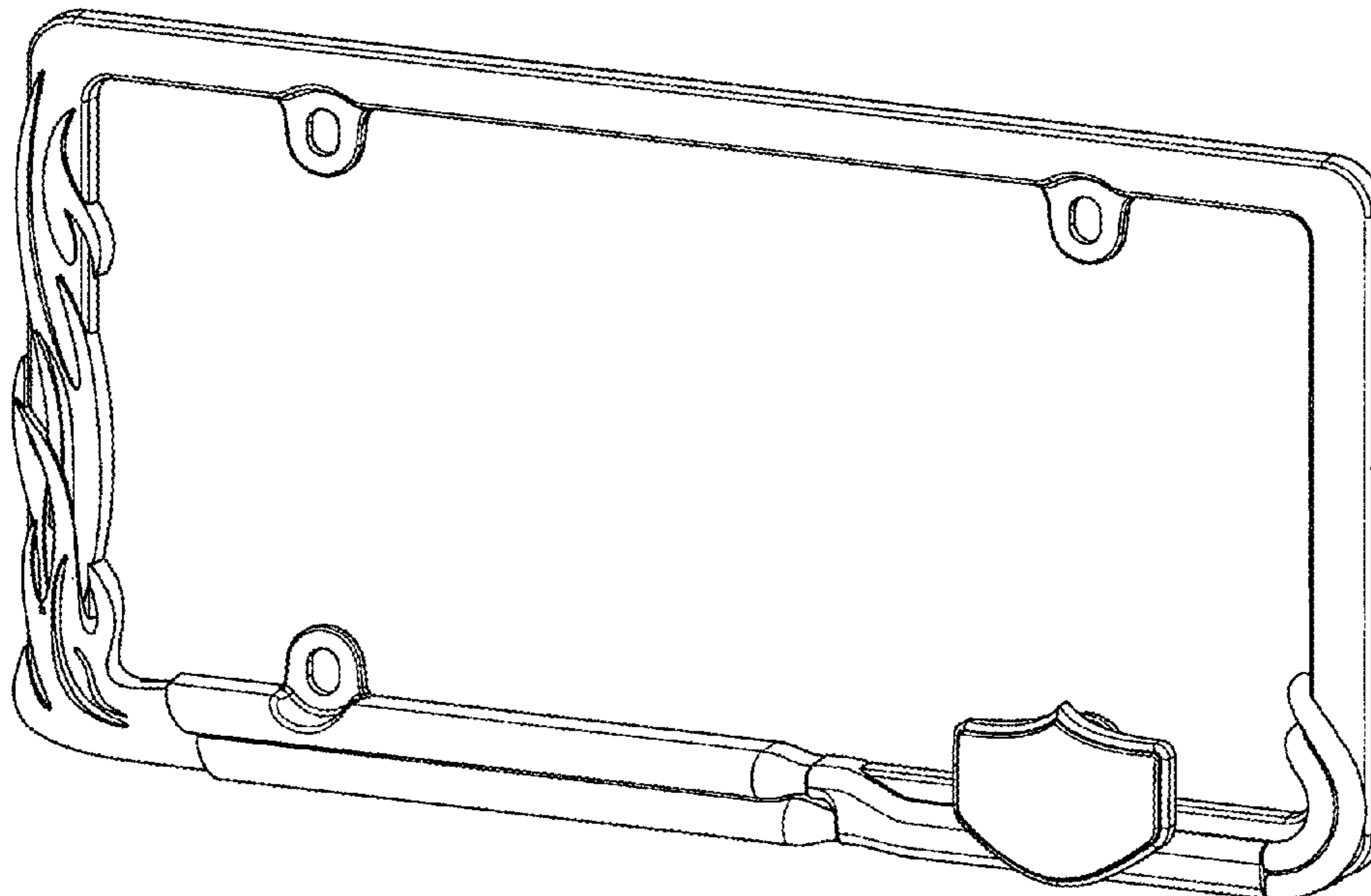
FIG. 1 is a perspective front view showing our design for a license plate frame;
FIG. 2 is a magnified view of a portion of the license plate frame shown in FIG. 1;
FIG. 3 is a front view of the license plate frame;
FIG. 4 is a back view of the license plate frame;
FIG. 5 is a right side view of the license plate frame, the left side view being the mirror image thereof; and,
FIG. 6 is a top view of the license plate frame, the bottom view being the mirror image thereof.

1 Claim, 3 Drawing Sheets

(56) **References Cited**

U.S. PATENT DOCUMENTS

D365,077 S *	12/1995	Lee	D12/193
D366,236 S *	1/1996	Chu	D12/193



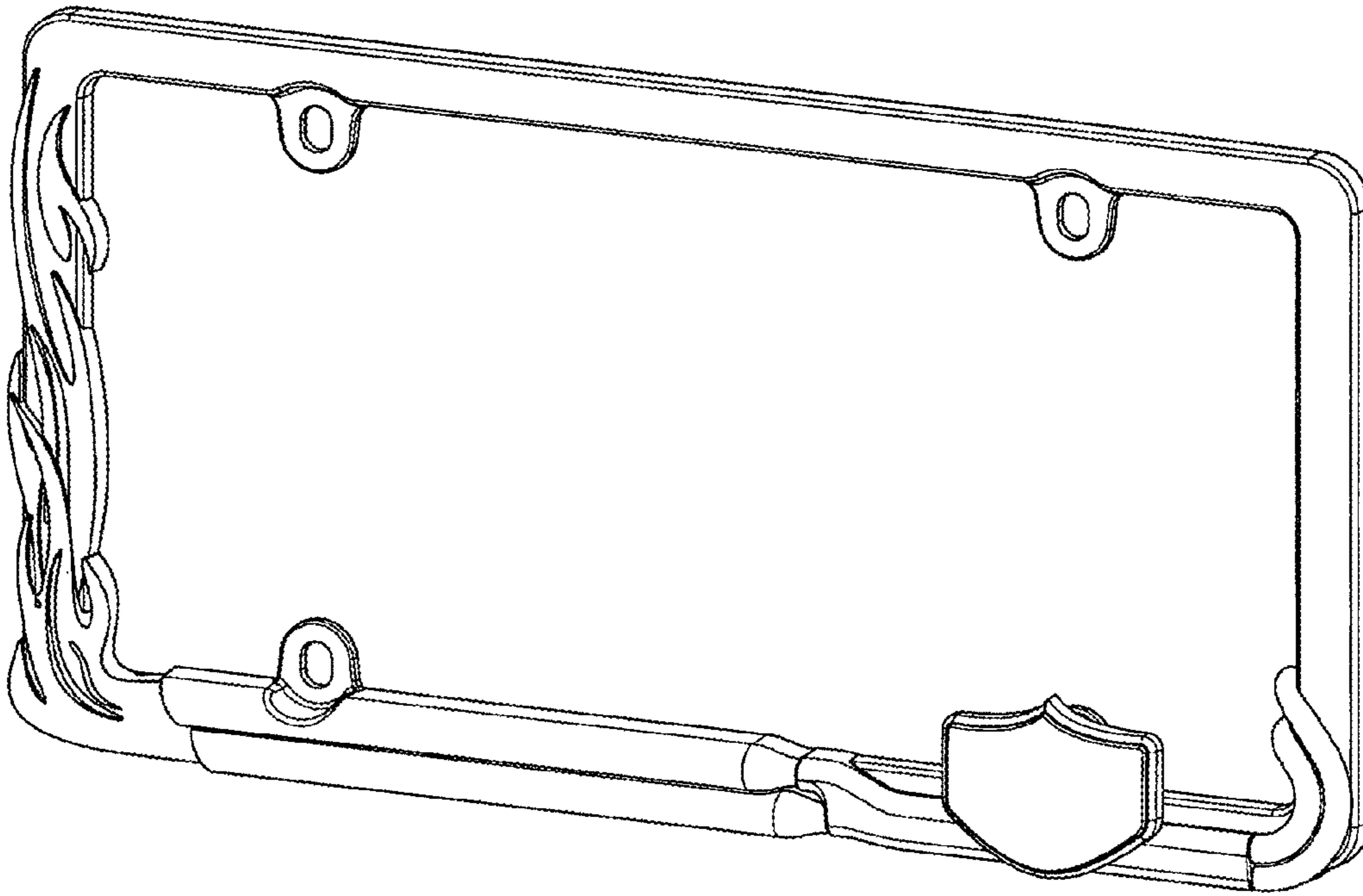


Figure 1

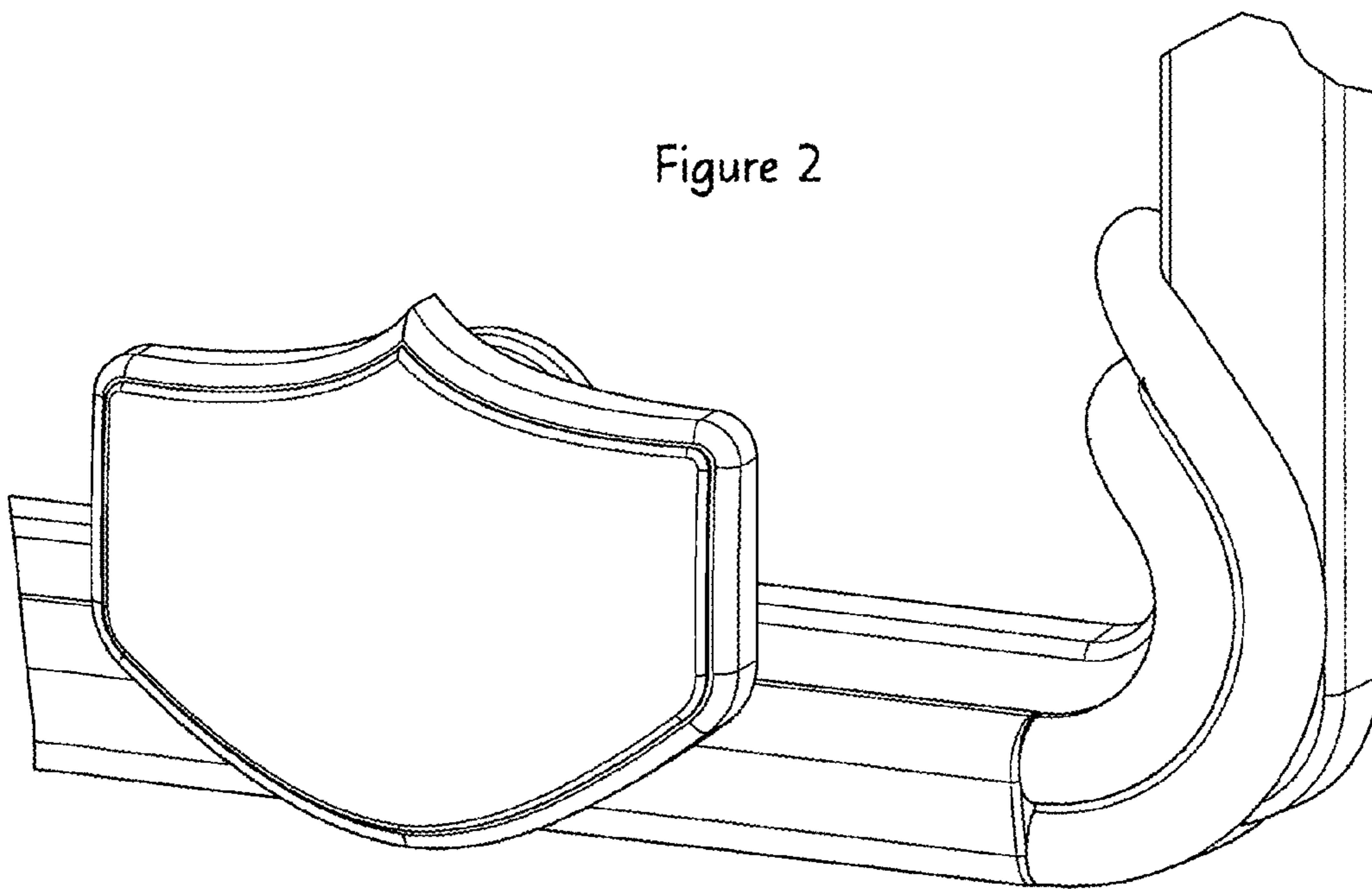


Figure 2

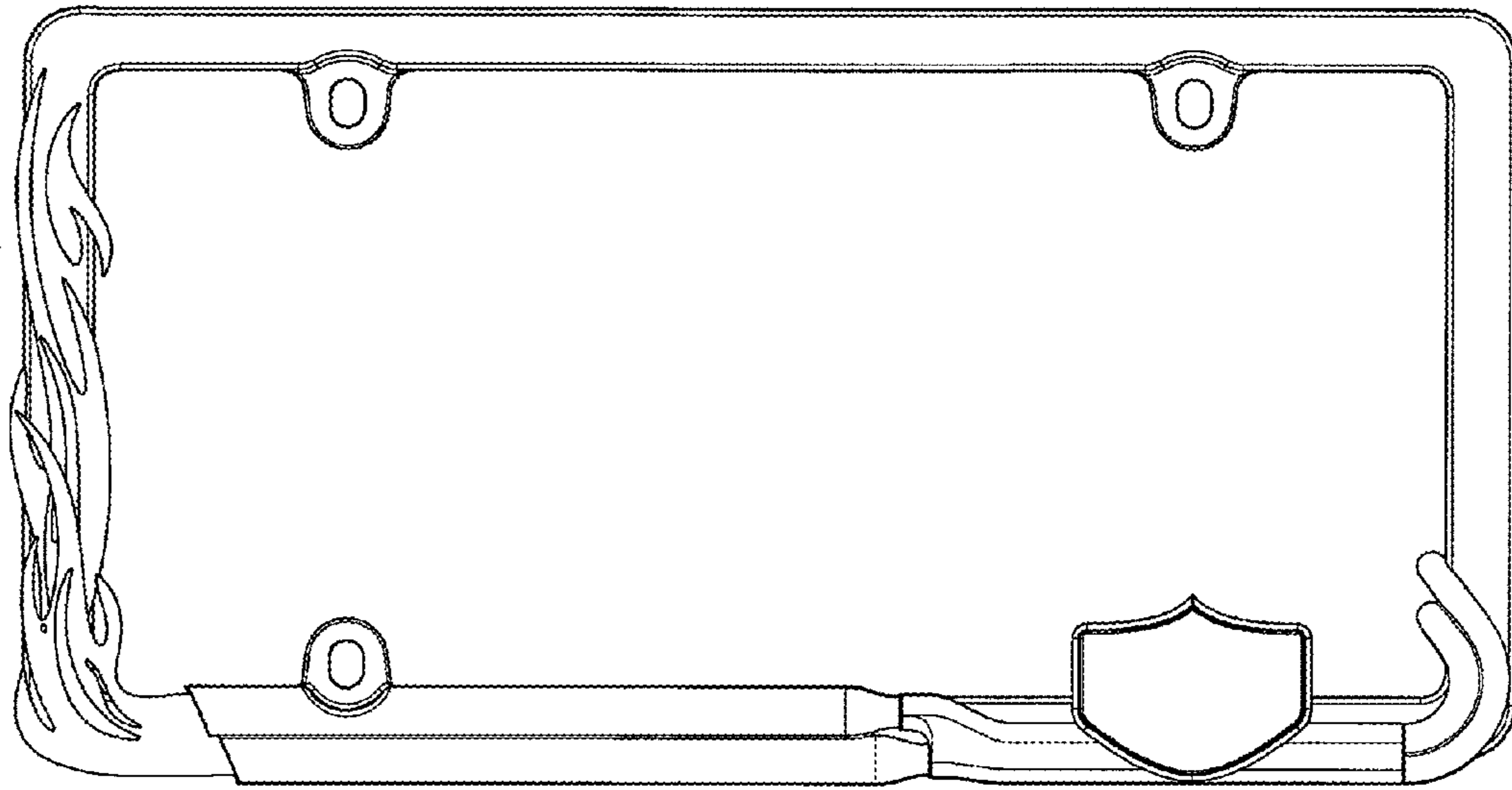


Figure 3

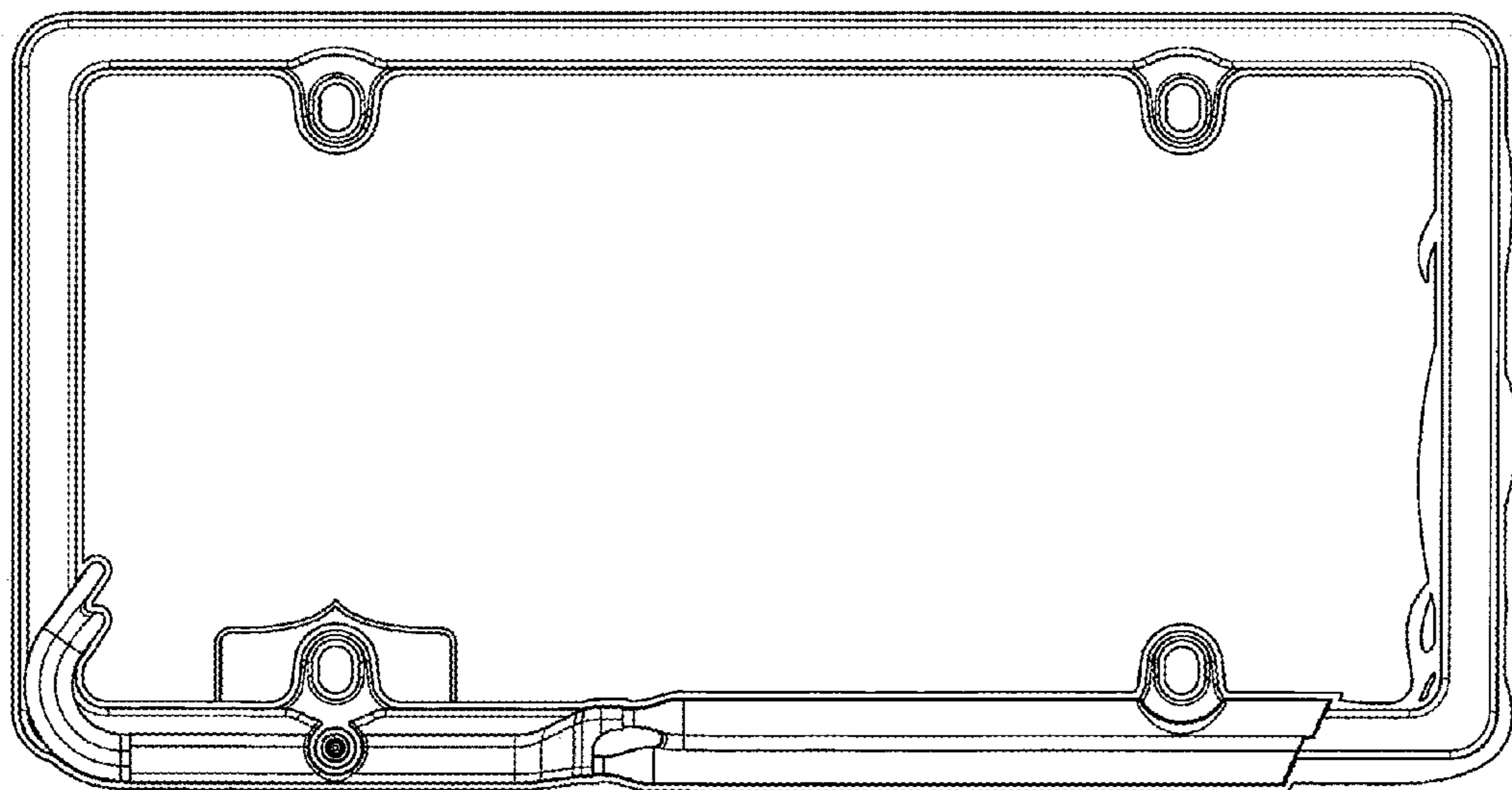


Figure 4

Figure 5

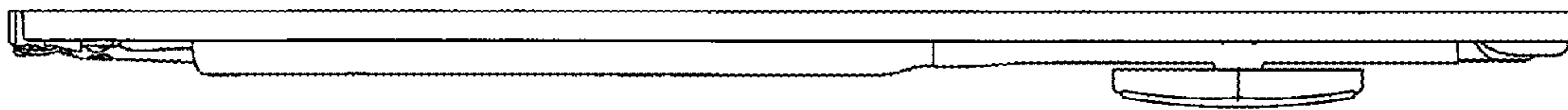


Figure 6