



US00D752489S

(12) **United States Design Patent**  
**Yamamoto et al.**

(10) **Patent No.:** **US D752,489 S**  
(45) **Date of Patent:** **\*\* Mar. 29, 2016**

(54) **REAR SPOILER FOR AN AUTOMOBILE**

FOREIGN PATENT DOCUMENTS

(71) Applicant: **Nissan Motor Co., Ltd.**, Yokohama,  
Kanagawa (JP)

JP D1443782 S 6/2012

\* cited by examiner

(72) Inventors: **Kenji Yamamoto**, Tokyo (JP); **Jungkyu Choi**, Kanagawa (JP); **Kazuki Watanabe**, Kanagawa (JP)

*Primary Examiner* — Katrina A Betton

(74) *Attorney, Agent, or Firm* — Global IP Counselors, LLP

(73) Assignee: **Nissan Motor Co., Ltd.**, Yokohama (JP)

(57) **CLAIM**

The ornamental design for a rear spoiler for an automobile, as shown and described.

(\*\*) Term: **14 Years**

**DESCRIPTION**

(21) Appl. No.: **29/510,783**

FIG. 1 is a front elevational view of a rear spoiler for an automobile in accordance with our new design;

(22) Filed: **Dec. 3, 2014**

FIG. 2 is a top plan view of the rear spoiler in accordance with our new design of FIG. 1;

(51) **LOC (10) Cl.** ..... **12-08**

FIG. 3 is a bottom plan view of the rear spoiler in accordance with our new design of FIGS. 1 to 2;

(52) **U.S. Cl.**  
USPC ..... **D12/181**

FIG. 4 is a right side elevational view of the rear spoiler in accordance with our new design of FIGS. 1 to 3;

(58) **Field of Classification Search**  
USPC ..... D12/181, 191, 196, 400, 190, 88  
CPC ..... B60R 13/02; B60R 13/04  
See application file for complete search history.

FIG. 5 is a left side elevational view of the rear spoiler in accordance with our new design of FIGS. 1 to 4;

FIG. 6 is a right side perspective view of the rear spoiler in accordance with our new design of FIGS. 1 to 5;

FIG. 7 is a left side perspective view of the rear spoiler in accordance with our new design of FIGS. 1 to 6; and,

FIG. 8 is a rear elevational view of the rear spoiler in accordance with our new design of FIGS. 1 to 7.

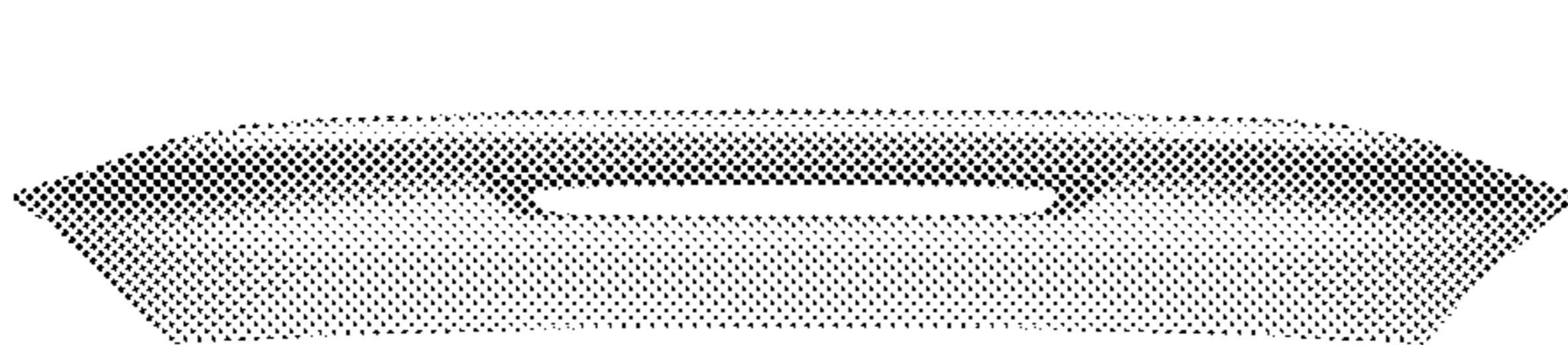
The rear spoiler is configured to be mounted to an automobile and have a rear brake lamp mounted in the elongated opening. The hidden surfaces, visible in FIG. 3 and FIG. 8, of the rear spoiler form no part of the claimed design since the hidden surfaces are not visible when the rear spoiler is mounted to the automobile.

(56) **References Cited**

U.S. PATENT DOCUMENTS

D683,677 S *	6/2013	Varga	.....	D12/181
D705,141 S *	5/2014	Jensen	.....	D12/181
D710,771 S *	8/2014	Hovind	.....	D12/181
D716,204 S *	10/2014	Butterworth	.....	D12/181
D717,221 S *	11/2014	Borkert	.....	D12/181
D721,310 S *	1/2015	Ito	.....	D12/181
D722,929 S *	2/2015	Hatter	.....	D12/181
D726,608 S *	4/2015	Curic	.....	D12/181
D729,711 S *	5/2015	Chen	.....	D12/181
D731,935 S *	6/2015	Robinson	.....	D12/181

**1 Claim, 8 Drawing Sheets**



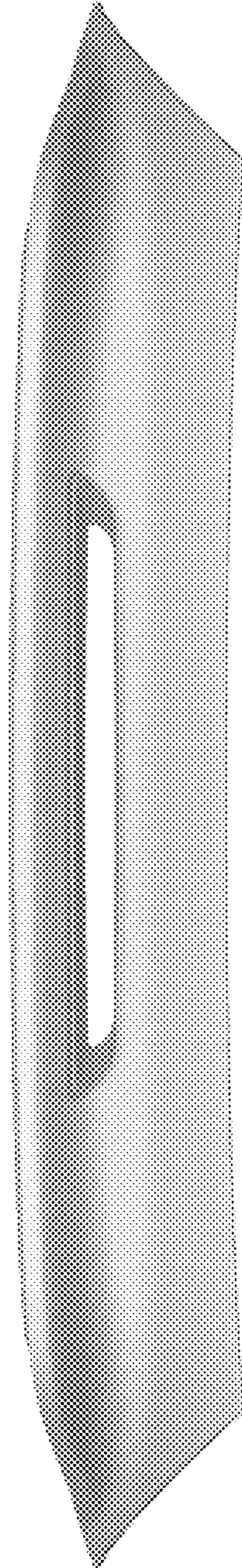


FIG. 1

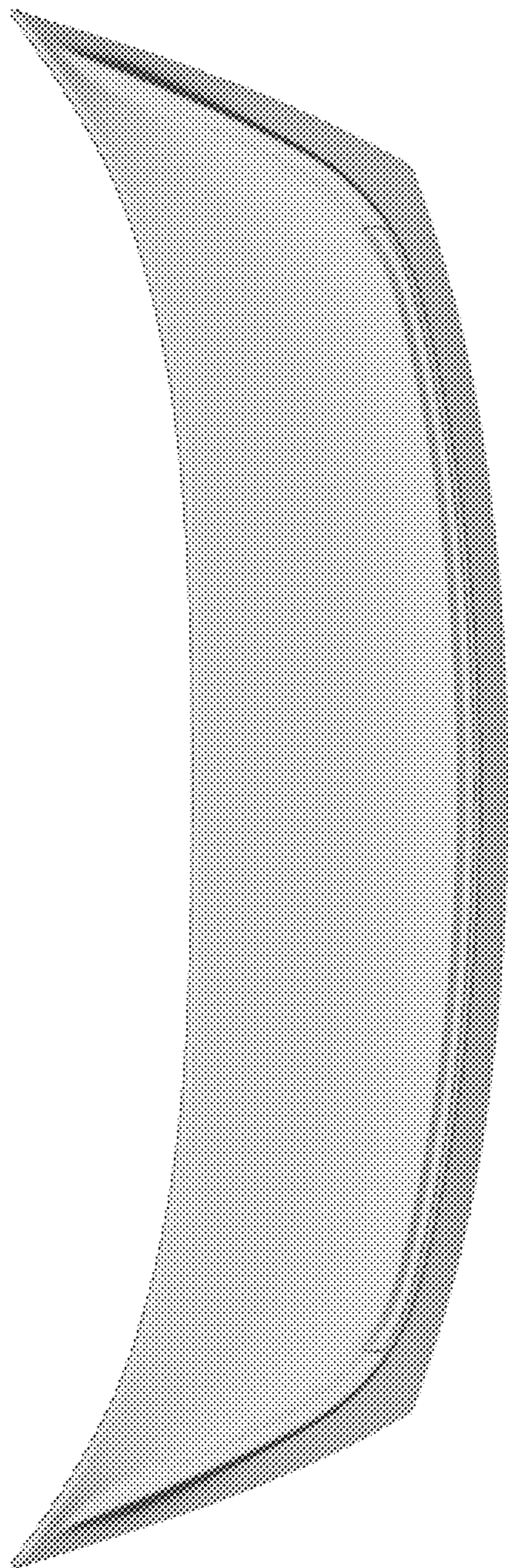


FIG. 2

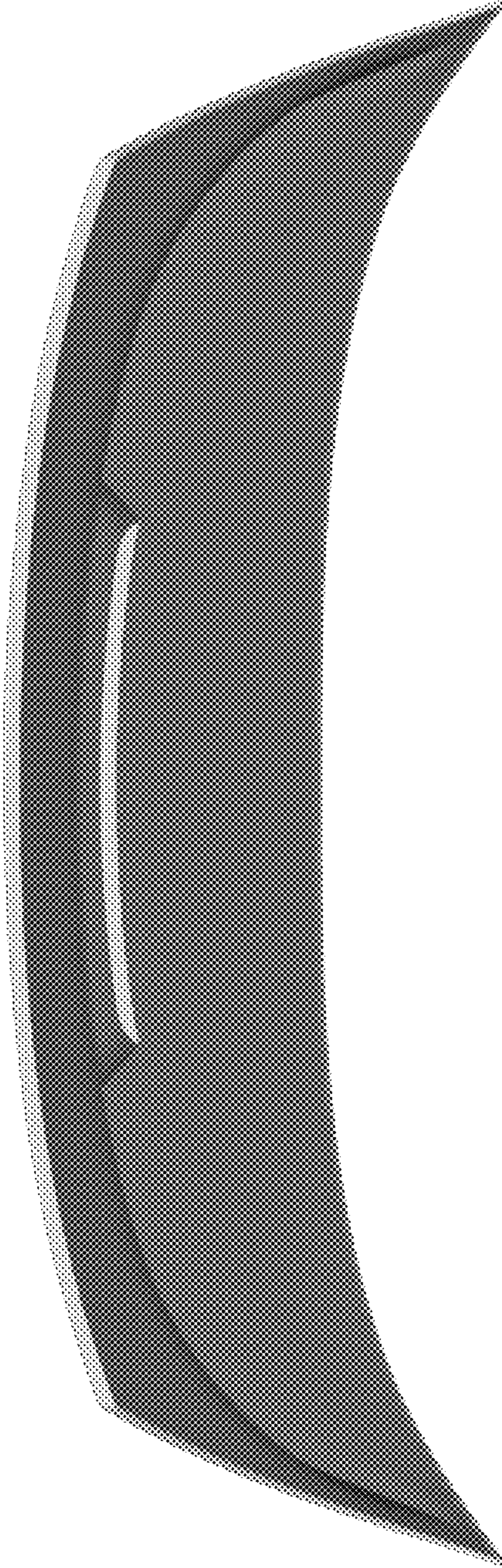


FIG. 3

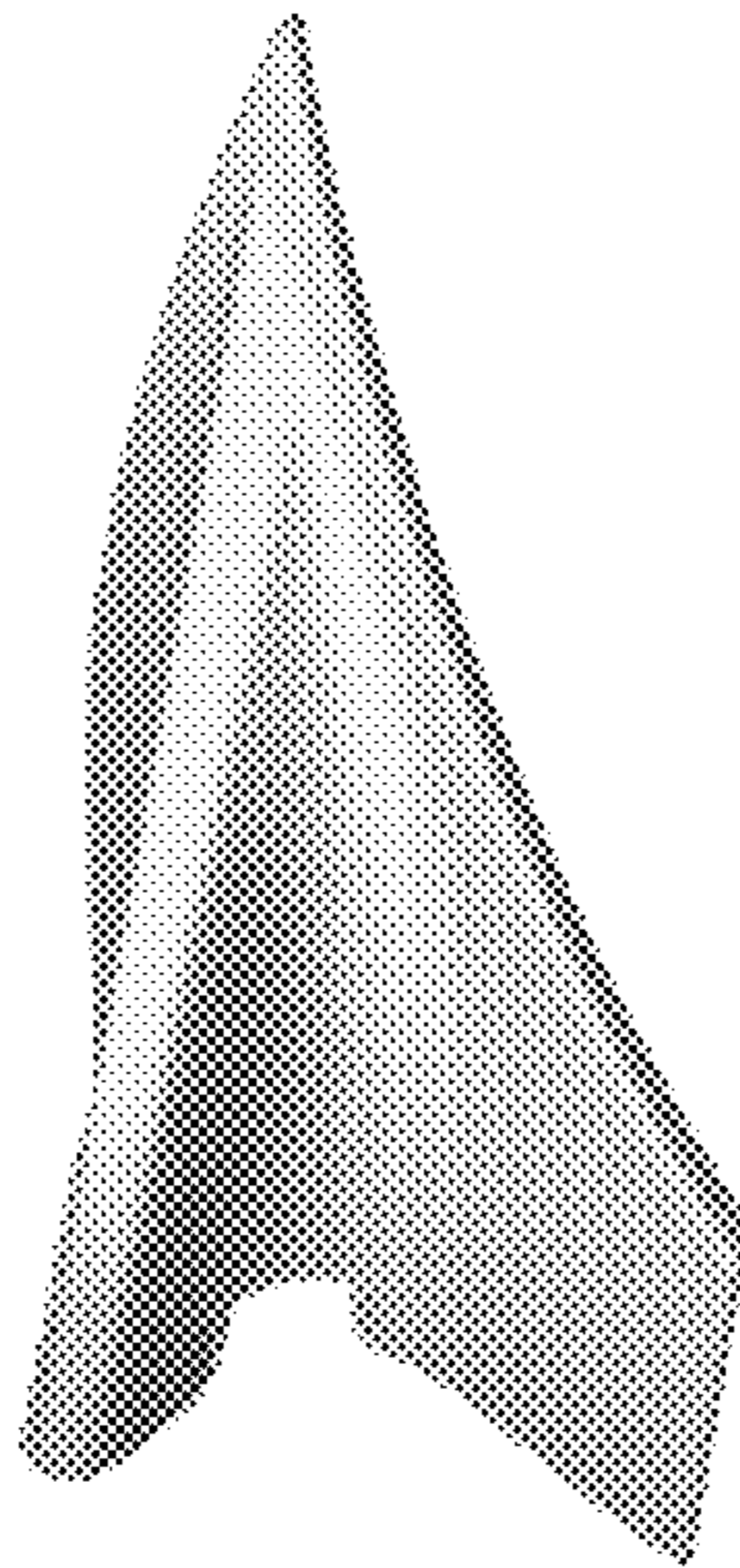


FIG. 4

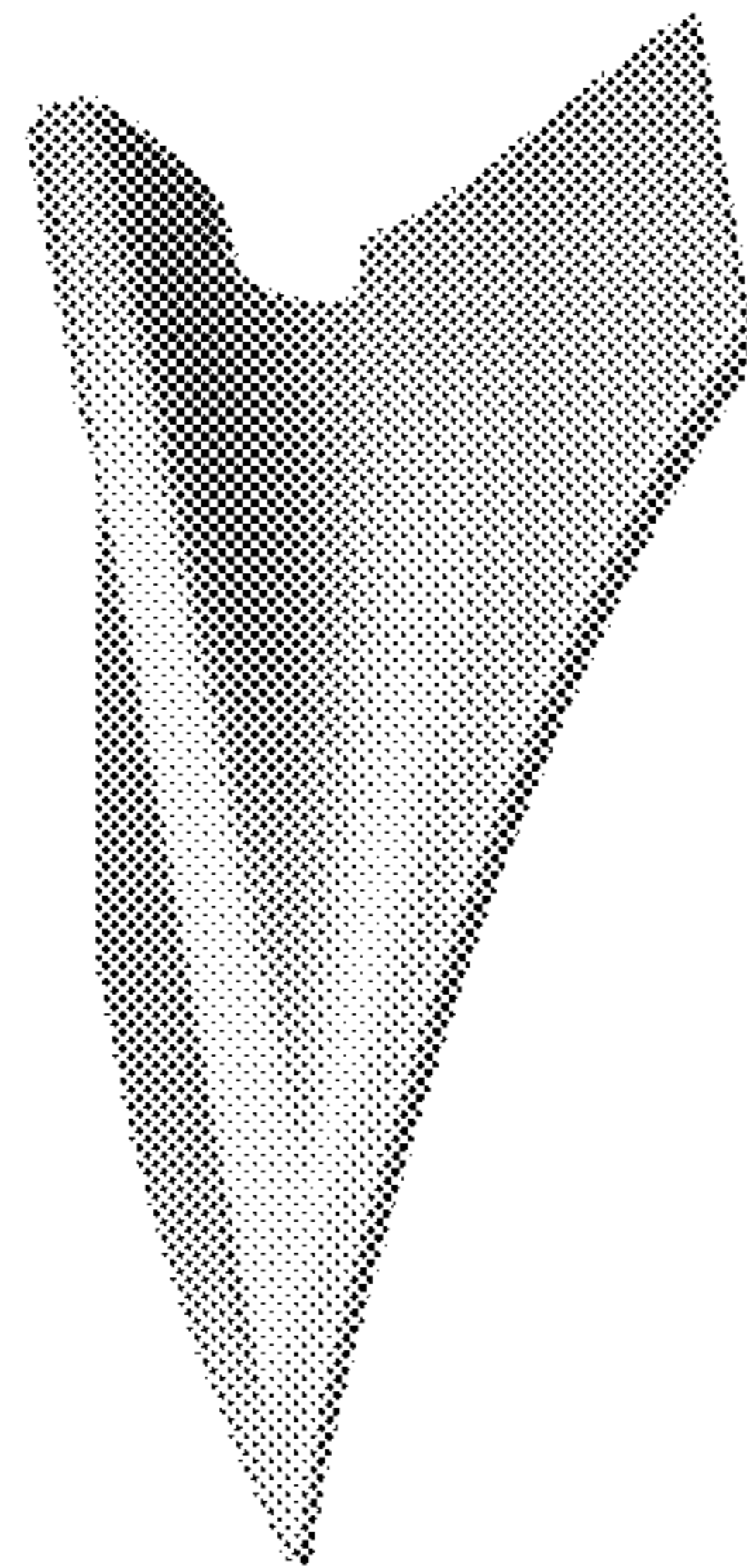


FIG. 5

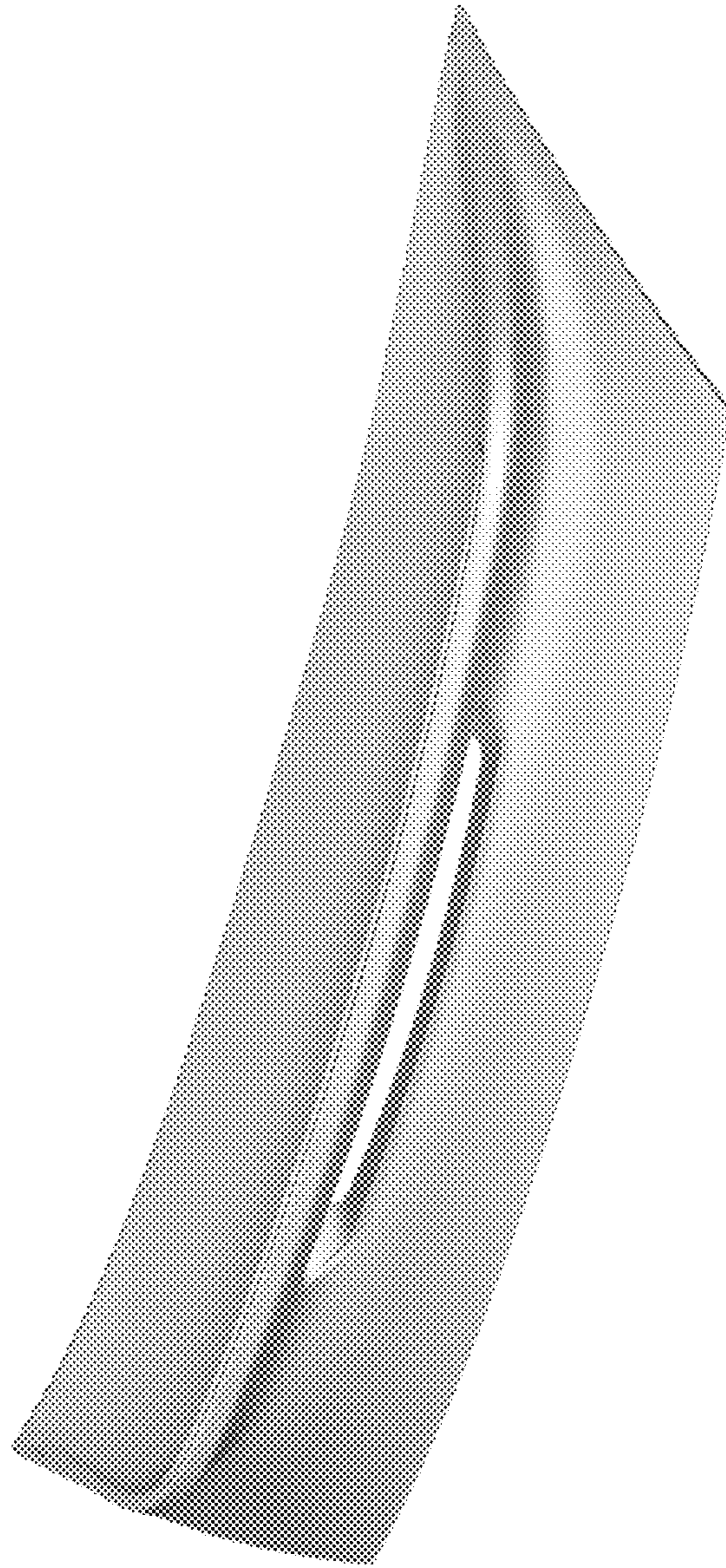


FIG. 6

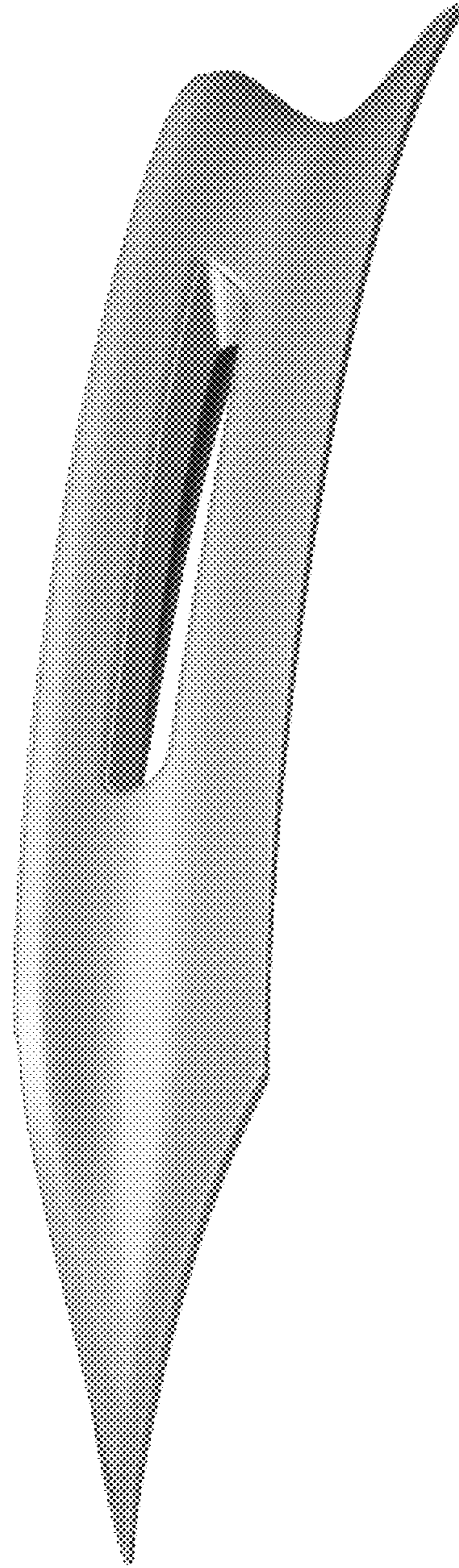


FIG. 7



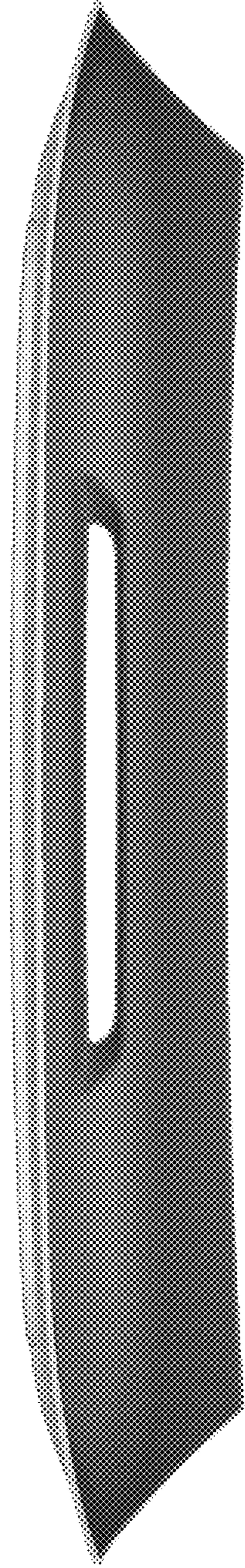


FIG. 8