



US00D752485S

(12) **United States Design Patent**
Chung

(10) **Patent No.:** **US D752,485 S**
(45) **Date of Patent:** **** Mar. 29, 2016**

(54) **GRILLE**

(71) Applicant: **Jae Chul Chung**, Irvine, CA (US)
(72) Inventor: **Jae Chul Chung**, Irvine, CA (US)
(73) Assignee: **HONDA MOTOR CO., LTD.**, Tokyo (JP)

(**) Term: **14 Years**

(21) Appl. No.: **29/517,270**

(22) Filed: **Feb. 11, 2015**

(51) **LOC (10) Cl.** **12-16**

(52) **U.S. Cl.**
USPC **D12/163**

(58) **Field of Classification Search**
USPC D12/163, 196, 86, 90-92, 171, 169,
D12/216; 180/68.1, 68.6; 293/193.11
CPC B62D 25/08; B62D 9/16; B60K 11/08;
B60R 19/52

See application file for complete search history.

(56) **References Cited**

U.S. PATENT DOCUMENTS

D515,988 S	2/2006	Honda	
D665,313 S *	8/2012	Asakura	D12/163
D665,316 S *	8/2012	Asakura	D12/163
D682,753 S *	5/2013	Yoshida	D12/163
D692,803 S *	11/2013	Nakahara	D12/163
D702,601 S *	4/2014	Wada	D12/163

FOREIGN PATENT DOCUMENTS

JP	D1312199	10/2007
TW	D108451	12/2005
TW	D119215	10/2007
TW	D138326	12/2010

OTHER PUBLICATIONS

Taiwan IPO Search Report; Taiwan Design Patent Application No. 104304232; Date of completion of search: Jan. 4, 2016.

* cited by examiner

Primary Examiner — Melody N. Brown

(74) *Attorney, Agent, or Firm* — Pearne & Gordon LLP

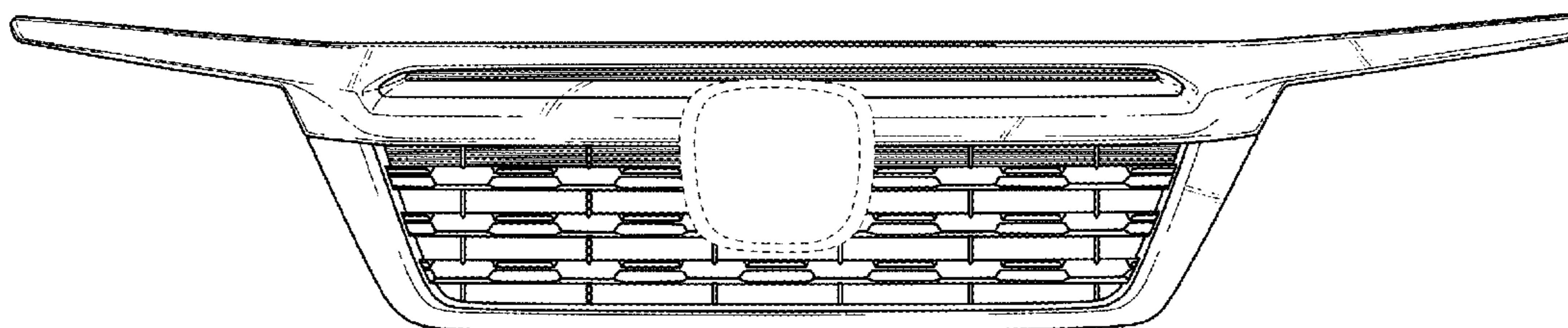
(57) **CLAIM**

The ornamental design for a grille, as shown and described.

DESCRIPTION

FIG. 1 is a perspective view of a grille showing my new design;
FIG. 2 is a right side view thereof, a left side view being a mirror image thereof;
FIG. 3 is a front view thereof; and,
FIG. 4 is a top view thereof.
The broken lines shown in the drawings illustrate portions of the grille that form no part of the claimed design.

1 Claim, 4 Drawing Sheets



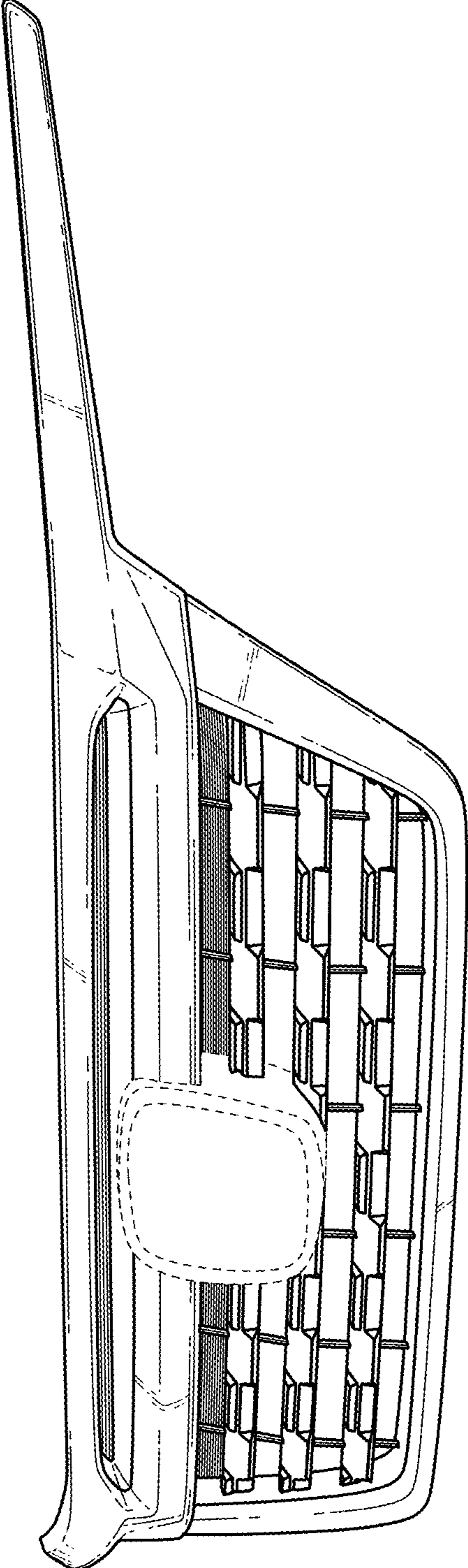


FIG. 1

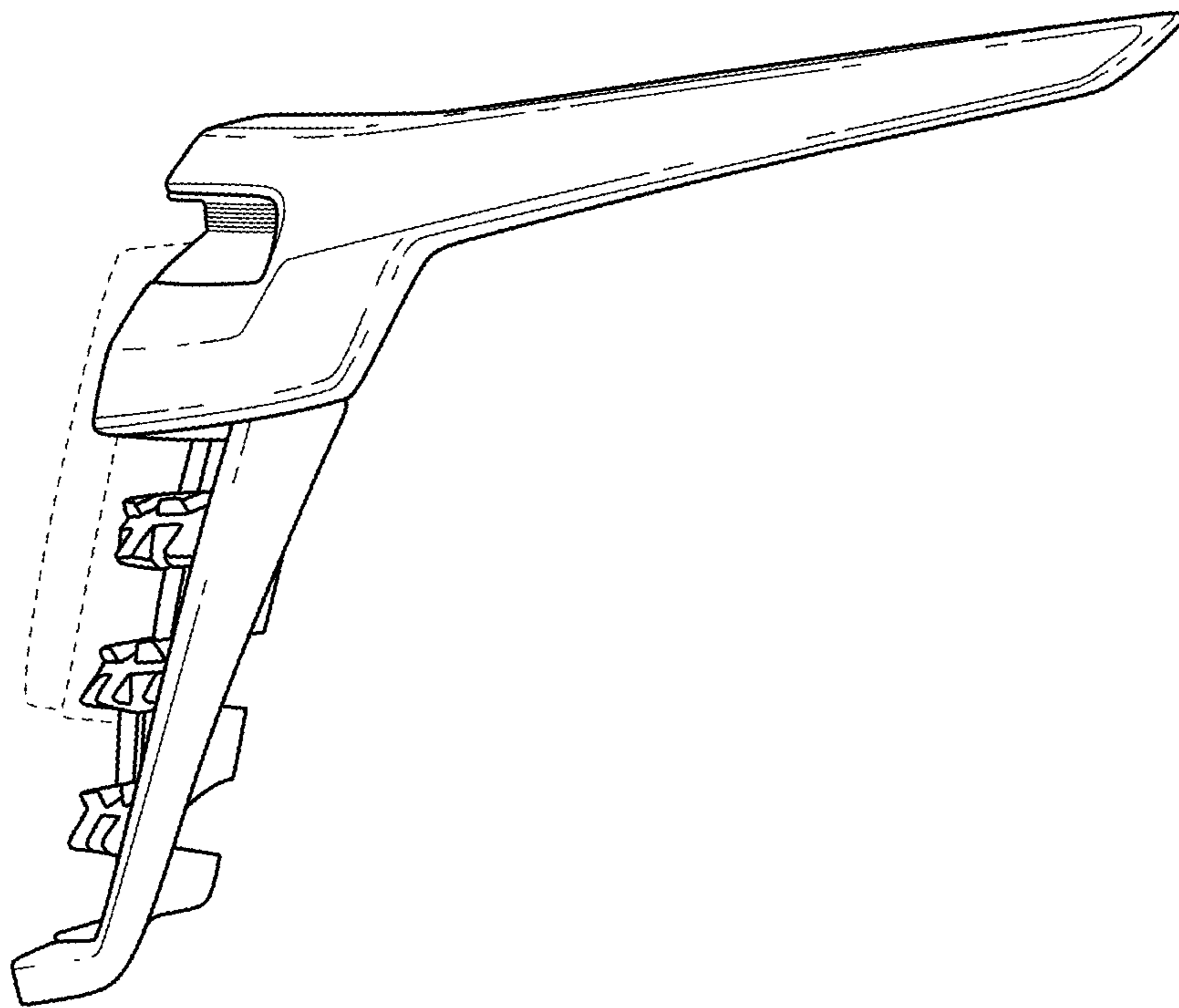


FIG. 2

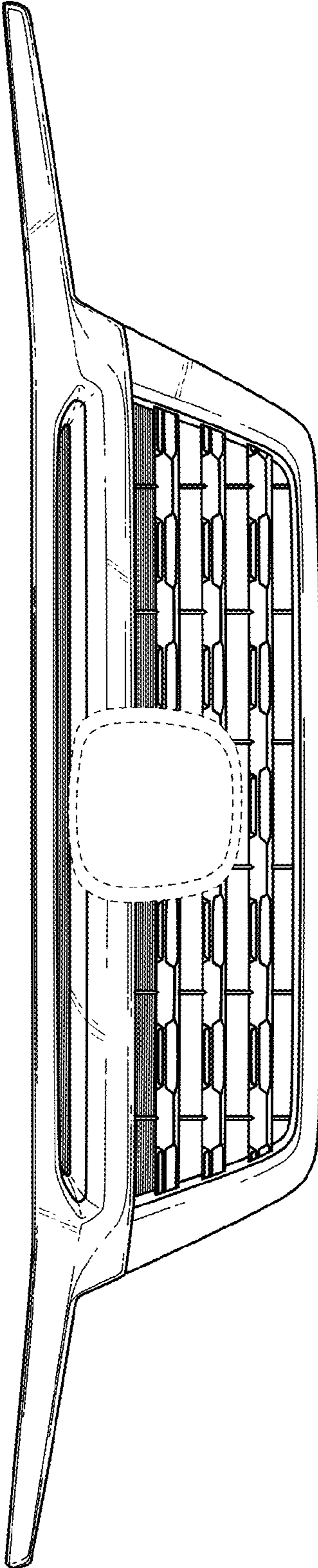


FIG. 3

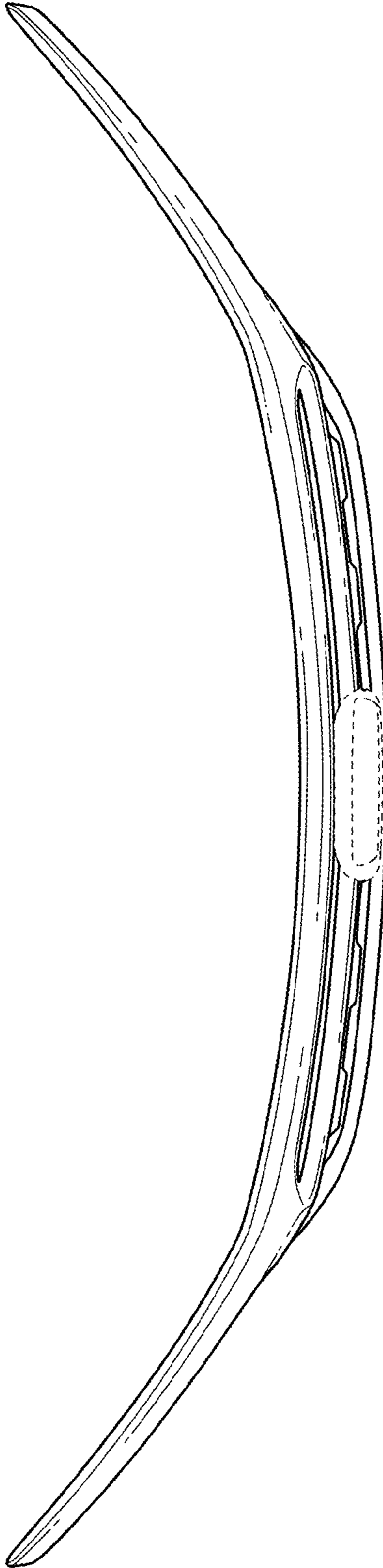


FIG. 4