



US00D752482S

(12) **United States Design Patent**
Gustaffson et al.

(10) **Patent No.:** **US D752,482 S**
(45) **Date of Patent:** **** Mar. 29, 2016**

(54) **REAR SHOCK ABSORBER FOR A BICYCLE**

4,545,601 A * 10/1985 Muller B60G 3/26
267/67

(71) Applicant: **Öhlins Racing AB**, Upplands Vasby
(SE)

4,830,395 A 5/1989 Foley
D302,672 S 8/1989 Ueno
4,911,466 A * 3/1990 Blair B60G 3/26
280/124.134

(72) Inventors: **Leif Gustaffson**, Holmsjo (SE); **Torkel Sintorn**, Vaxholm (SE)

5,044,614 A * 9/1991 Rau B60G 15/062
267/175

(73) Assignee: **Öhlins Racing AB**, Upplands Vasby
(SE)

D346,781 S * 5/1994 Homme D12/159
5,580,034 A * 12/1996 Cheng B60G 17/021
188/322.17

(**) Term: **14 Years**

D390,505 S 2/1998 Shiao
D390,506 S 2/1998 Shiao
5,720,473 A 2/1998 Thomas
D398,269 S * 9/1998 Sennuck 297/209

(21) Appl. No.: **29/515,437**

5,803,443 A 9/1998 Chang
D399,462 S 10/1998 Toffolo et al.

(22) Filed: **Jan. 22, 2015**

(Continued)

Related U.S. Application Data

(62) Division of application No. 29/457,095, filed on Jun. 6, 2013, now Pat. No. Des. 734,219.

(51) **LOC (10) Cl.** **12-11**

(52) **U.S. Cl.**
USPC **D12/118**

(58) **Field of Classification Search**
USPC D12/111, 159, 118; D21/562; 267/218,
267/286, 221, 34, 177, 180, 255; 29/227,
29/401.1, 402.09; 188/285, 287, 315,
188/322.19, 314, 319.1, 269, 282.9, 274,
188/312, 322.22; 280/6.157, 124.162;
74/107
CPC B60G 2500/30; B60G 2202/312;
B60G 2204/1242; B60G 15/063; B60G
2202/12

See application file for complete search history.

(56) **References Cited**

U.S. PATENT DOCUMENTS

3,582,059 A 6/1971 Van Ooy
D230,723 S * 3/1974 Cowan D12/159
4,036,335 A 7/1977 Thompson et al.
4,054,983 A 10/1977 Cowan
D262,959 S 2/1982 Cowan
D277,952 S 3/1985 Nakano et al.

Primary Examiner — Robert M Spear

Assistant Examiner — Ryan Harvey

(74) *Attorney, Agent, or Firm* — Wolf, Greenfield & Sacks, P.C.

(57) **CLAIM**

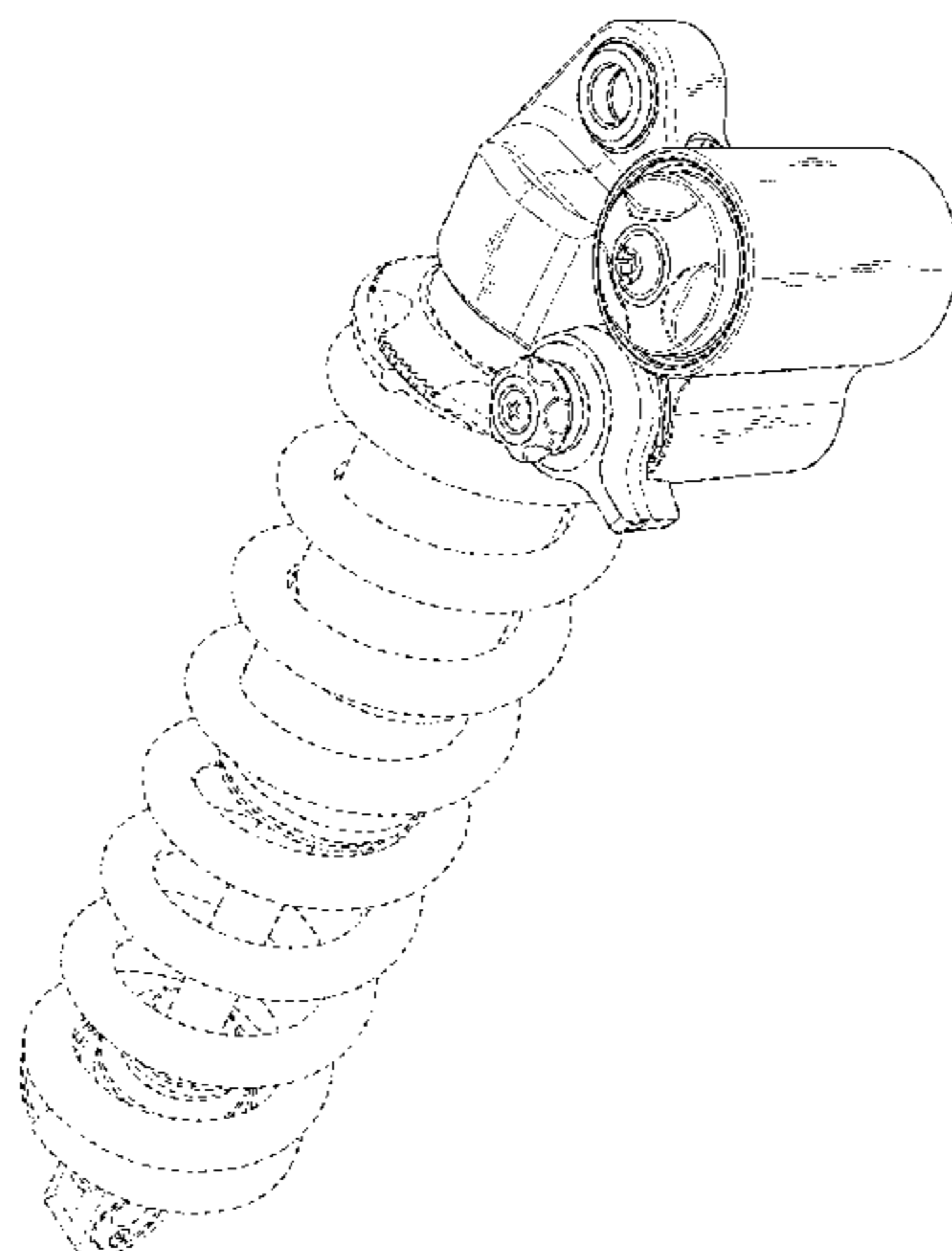
The ornamental design for a rear shock absorber for a bicycle, as shown and described.

DESCRIPTION

FIG. 1 is a top front perspective view of a rear shock absorber for a bicycle;
FIG. 2 is a right side view of the rear shock absorber for a bicycle of FIG. 1;
FIG. 3 is a front view of the rear shock absorber for a bicycle of FIG. 1;
FIG. 4 is a left side view of the rear shock absorber for a bicycle of FIG. 1;
FIG. 5 is a rear view of the rear shock absorber for a bicycle of FIG. 1;
FIG. 6 is a bottom view of the rear shock absorber for a bicycle of FIG. 1; and,
FIG. 7 is a top view of the rear shock absorber for a bicycle of FIG. 1.

The broken lines illustrate portions of the article that form no part of the claimed design.

1 Claim, 6 Drawing Sheets



(56)

References Cited

U.S. PATENT DOCUMENTS

5,996,746	A	12/1999	Turner et al.				
6,142,268	A	11/2000	Kuo-An				
D434,707	S	12/2000	Bauer				
D435,236	S	12/2000	Hanlon et al.				
6,691,991	B1 *	2/2004	Huang	B60G 15/063			
				267/286			
6,902,045	B2 *	6/2005	Oliver	B60G 15/063			
				188/321.11			
7,270,222	B1	9/2007	Aymar				
D553,545	S *	10/2007	Nygren	D12/159			
7,293,764	B2 *	11/2007	Fang	B60G 11/16			
				267/220			
D563,287	S *	3/2008	Falter	D12/159			
D567,886	S	4/2008	Lampert et al.				
D584,080	S *	1/2009	Lenterman	D6/711			
D661,626	S	6/2012	Aymar				
D698,658	S *	2/2014	Leask	D9/435			
D709,802	S *	7/2014	Miyata	D12/119			
9,140,325	B2 *	9/2015	Cox	B60G 15/063			
2006/0006622	A1 *	1/2006	Gesmer	A63C 17/0093			
				280/87.042			
2006/0169556	A1	8/2006	Hsu				
2009/0277734	A1	11/2009	Cox et al.				
2010/0018818	A1	1/2010	Ishii et al.				
2010/0219572	A1	9/2010	Back				
2011/0017559	A1	1/2011	Sintorn				
2013/0048402	A1	2/2013	Mori et al.				
2013/0313056	A1	11/2013	Cox et al.				

* cited by examiner

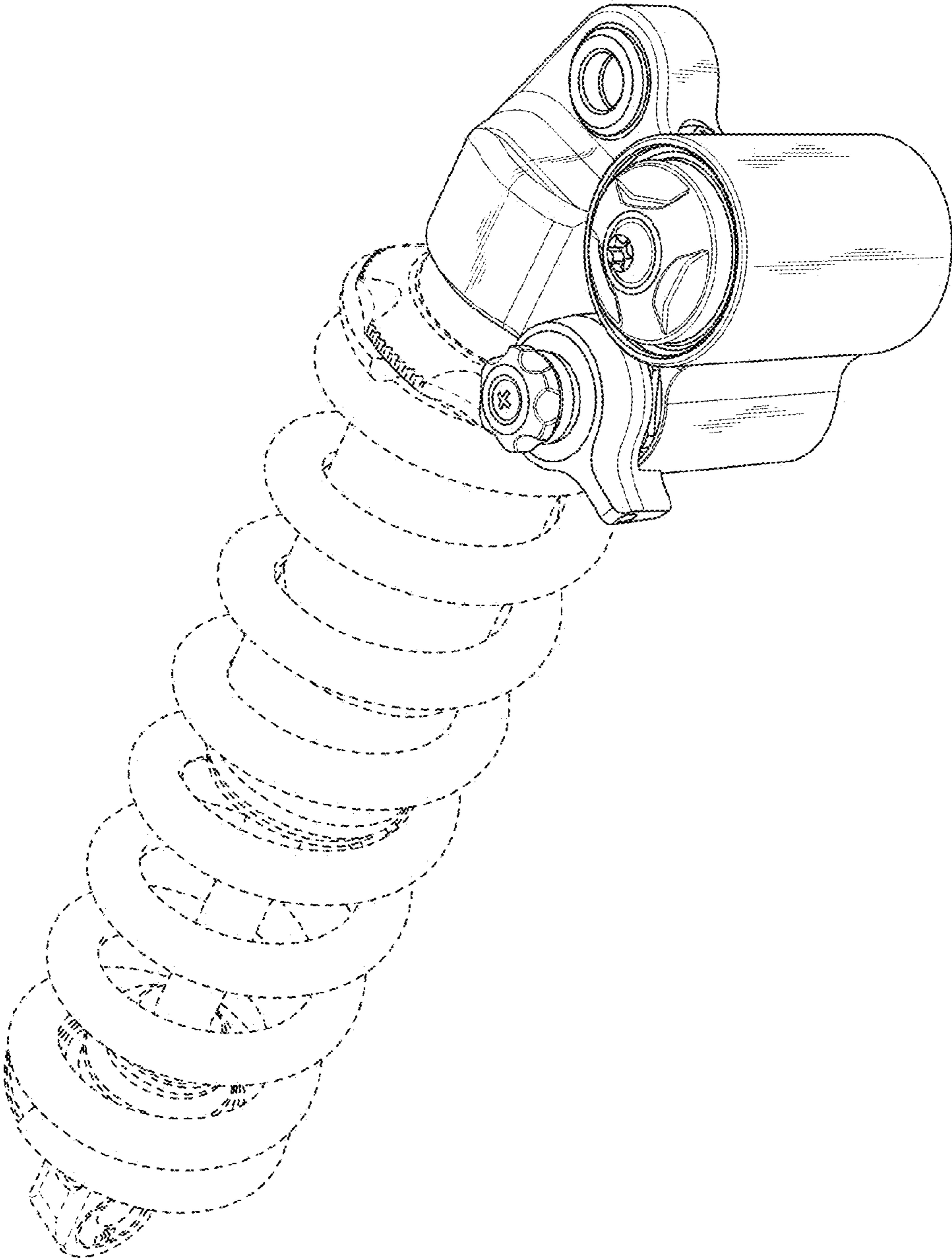


FIG. 1

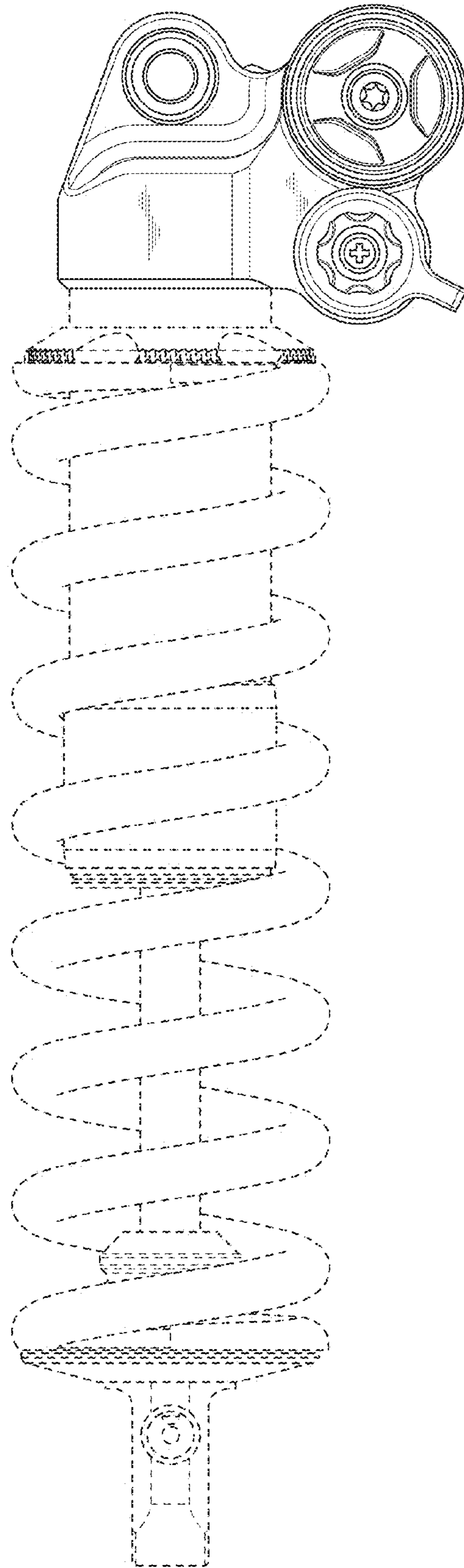


FIG. 2

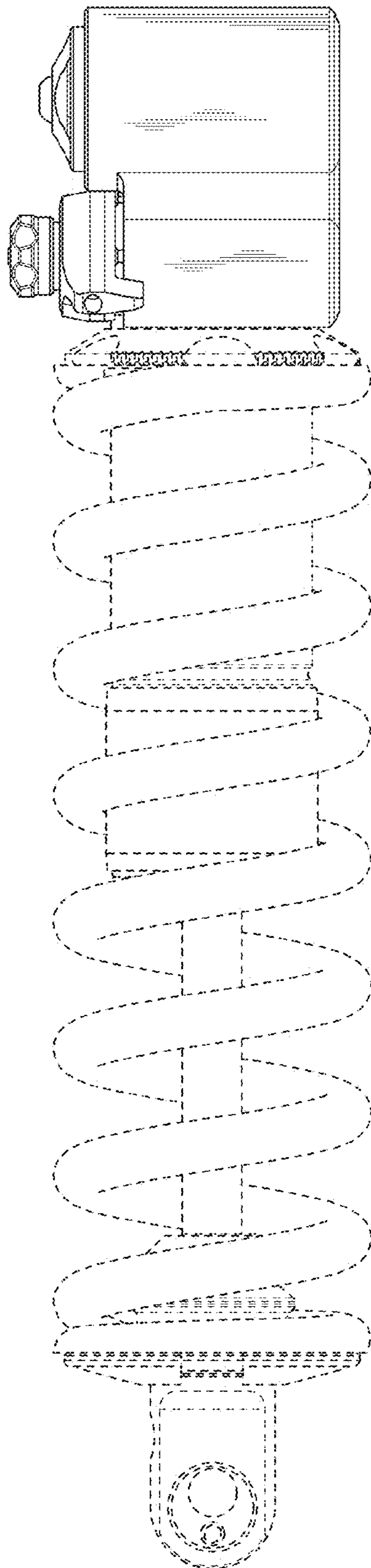


FIG. 3

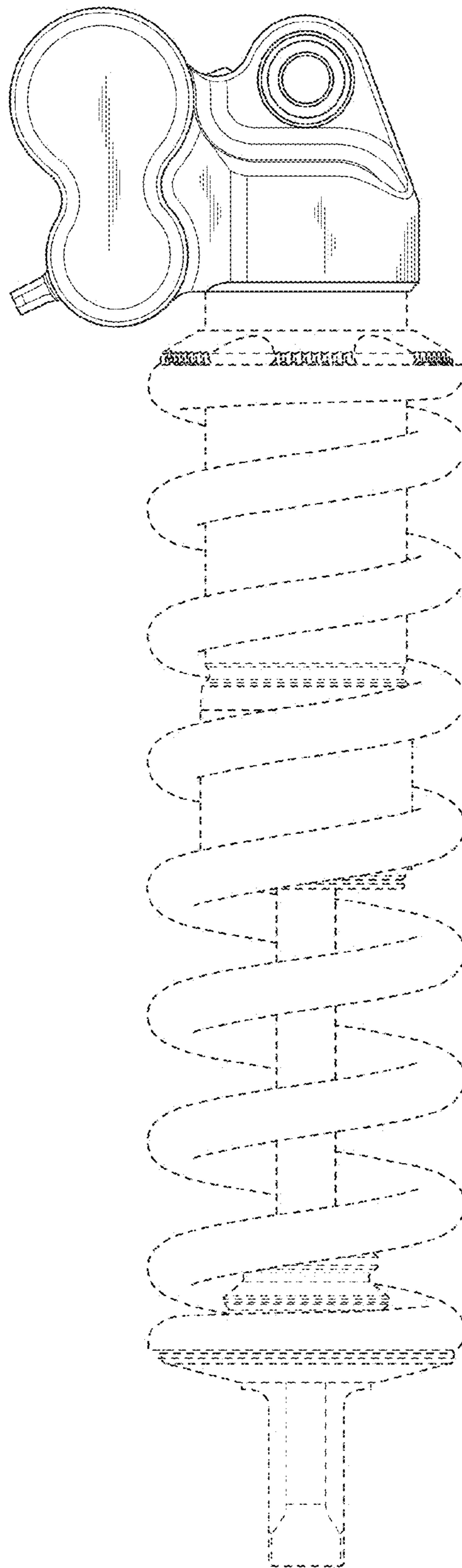


FIG. 4

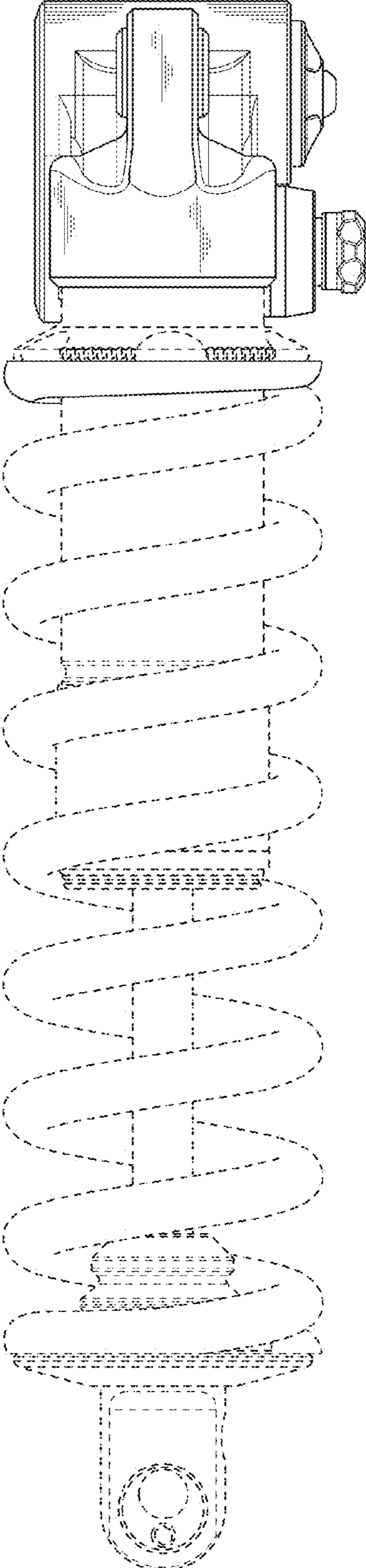


FIG. 5

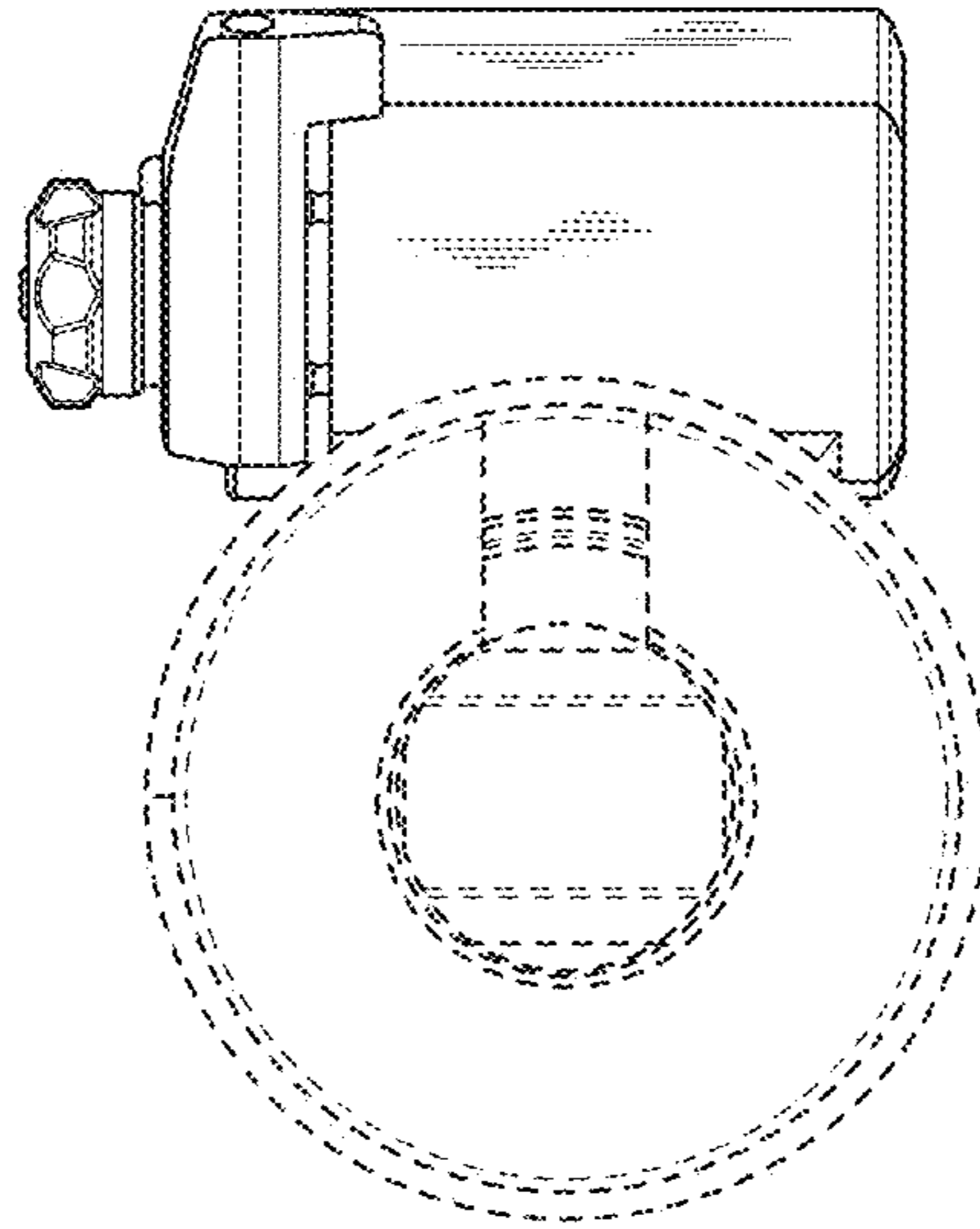


FIG. 6

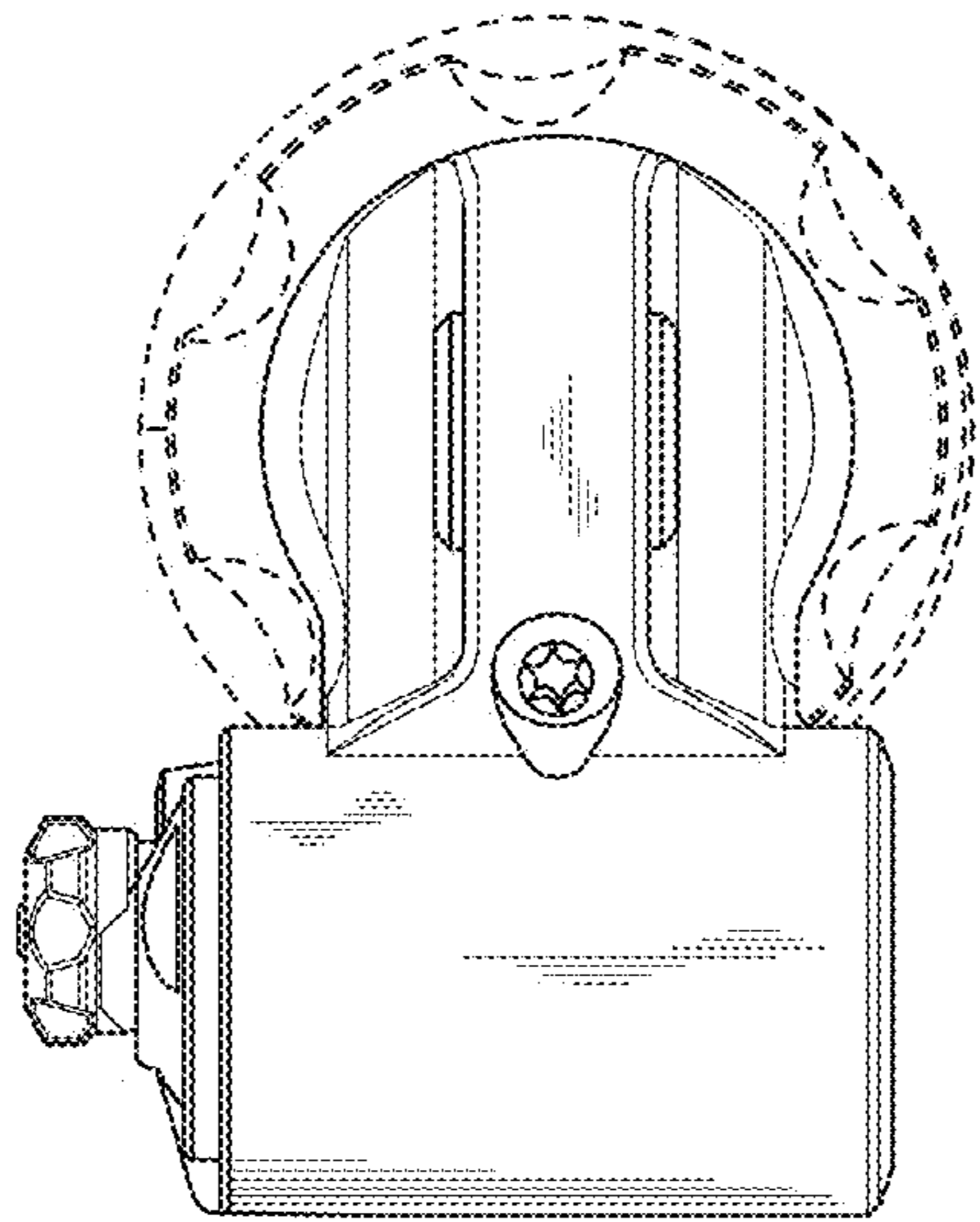


FIG. 7