



US00D752481S

(12) **United States Design Patent**
Frascella

(10) **Patent No.:** **US D752,481 S**
(45) **Date of Patent:** **** Mar. 29, 2016**

(54) **VEHICLE**

(71) Applicant: **Jaguar Land Rover Limited**, Coventry (GB)

(72) Inventor: **Massimo Frascella**, Coventry (GB)

(73) Assignee: **Jaguar Land Rover Limited** (GB)

(**) Term: **14 Years**

(21) Appl. No.: **29/515,257**

(22) Filed: **Jan. 21, 2015**

(30) **Foreign Application Priority Data**

Jul. 22, 2014 (EM) 002507228

(51) **LOC (10) Cl.** **12-08**

(52) **U.S. Cl.**
USPC **D12/91**

(58) **Field of Classification Search**
USPC D12/86, 90-92; D21/421, 433, 434;
296/181.1, 181.5
CPC B62D 35/00; B62D 25/00; B62D 25/06;
B62D 33/00

See application file for complete search history.

(56) **References Cited**

U.S. PATENT DOCUMENTS

D455,982 S *	4/2002	Iso	D12/91
D457,107 S *	5/2002	Kember	D12/91
D476,268 S *	6/2003	Castiglione	D12/91
D534,459 S *	1/2007	Kim	D12/91
D605,977 S *	12/2009	Zipfel	D12/91
D664,897 S *	8/2012	Ramaciotti	D12/91
D691,516 S *	10/2013	Dockeray	D12/91
D716,695 S *	11/2014	Woolley	D12/91
D735,610 S *	8/2015	Wheel	D12/91

* cited by examiner

Primary Examiner — Melody N Brown

(74) *Attorney, Agent, or Firm* — Fishman Stewart PLLC

(57) **CLAIM**

The ornamental design for a vehicle, as shown and described.

DESCRIPTION

FIG. 1 is a front perspective view of a vehicle;
FIG. 2 is a rear perspective view of a vehicle;
FIG. 3 is a left side view of a vehicle;
FIG. 4 is a right side view of a vehicle;
FIG. 5 is a front view of a vehicle;
FIG. 6 is a rear view of a vehicle; and,
FIG. 7 is a top view of a vehicle.
Portions of the figures shown in broken lines are for illustrative purposes only and form no part of the claimed design.

1 Claim, 6 Drawing Sheets





FIG. 1

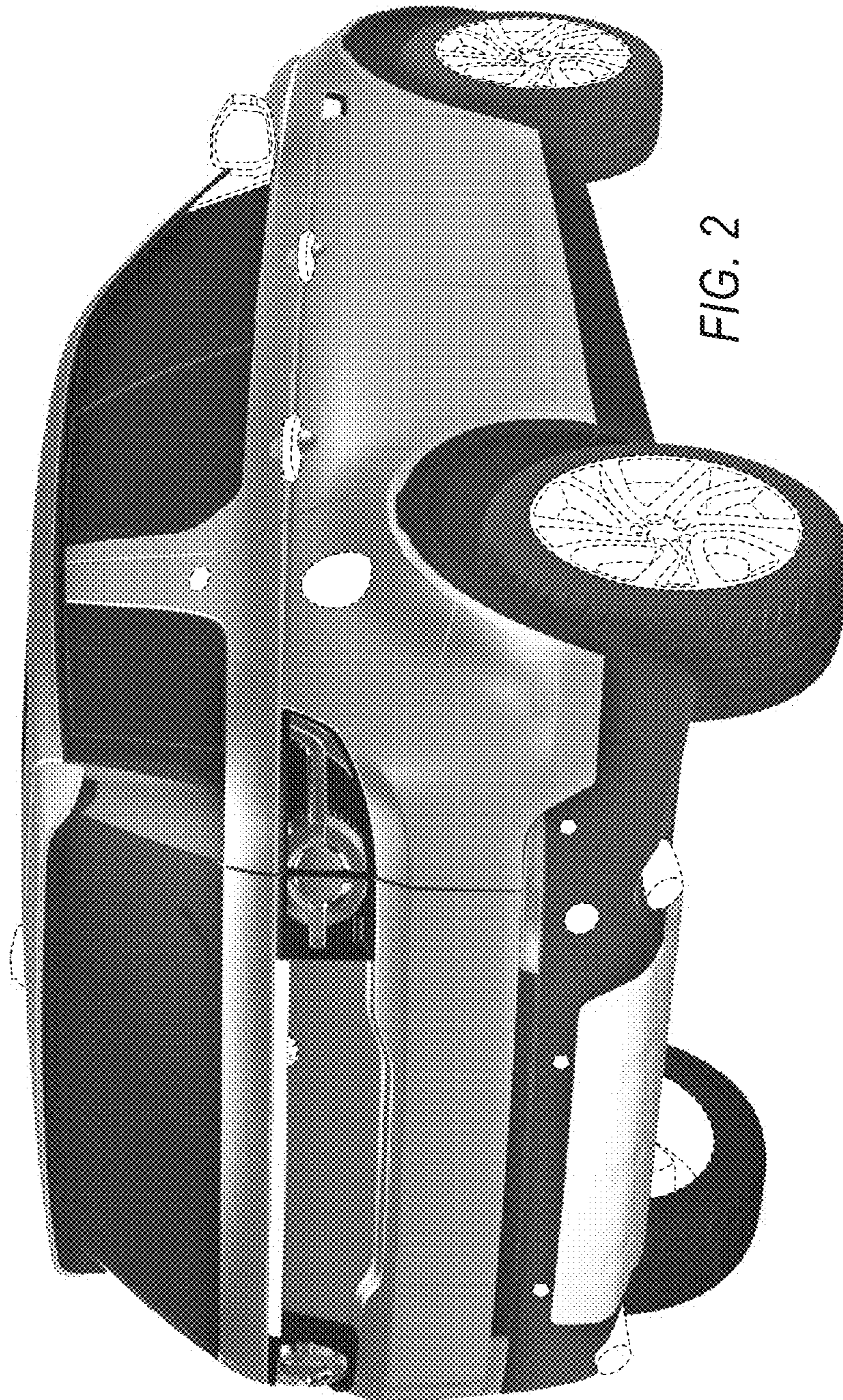


FIG. 2

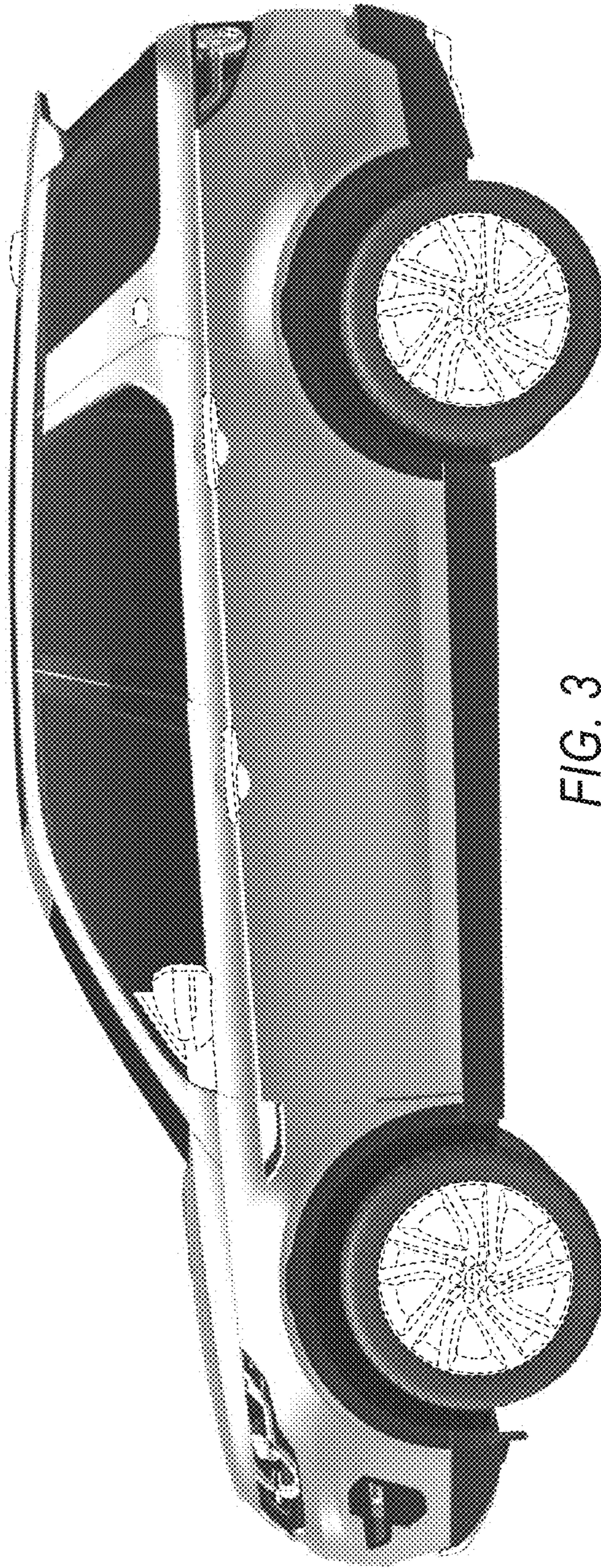


FIG. 3

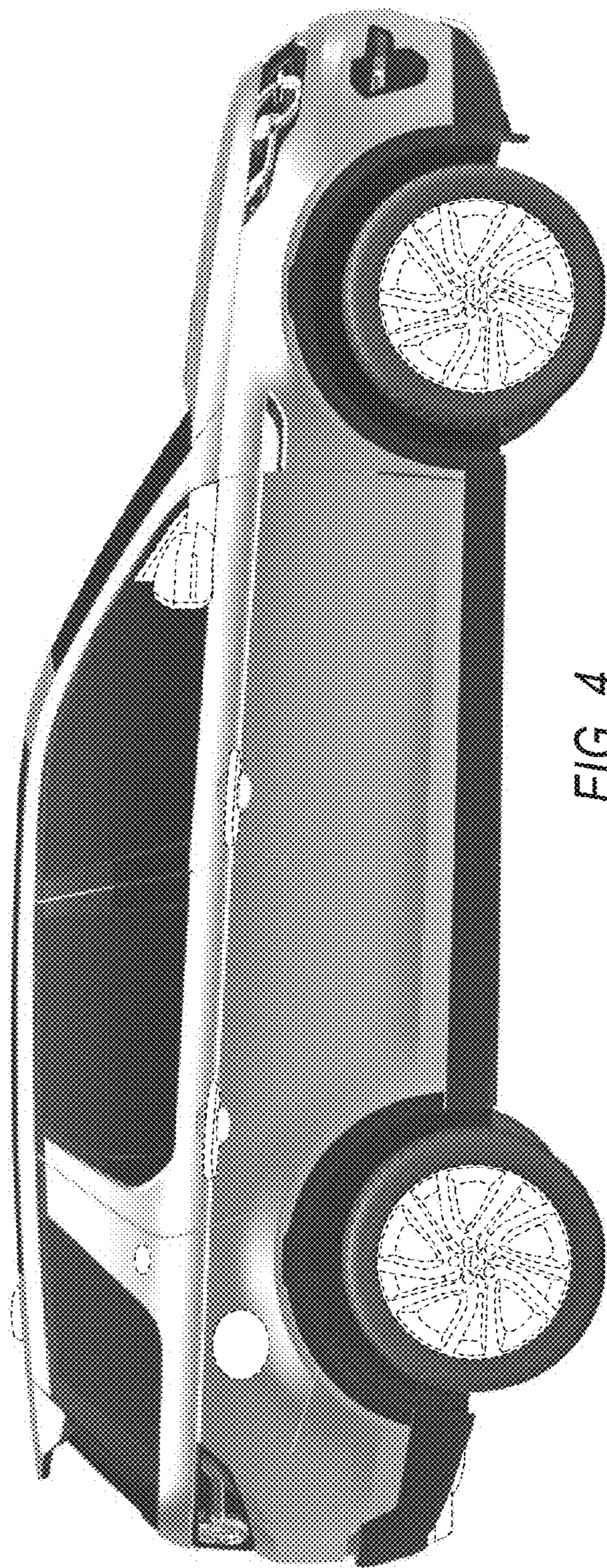
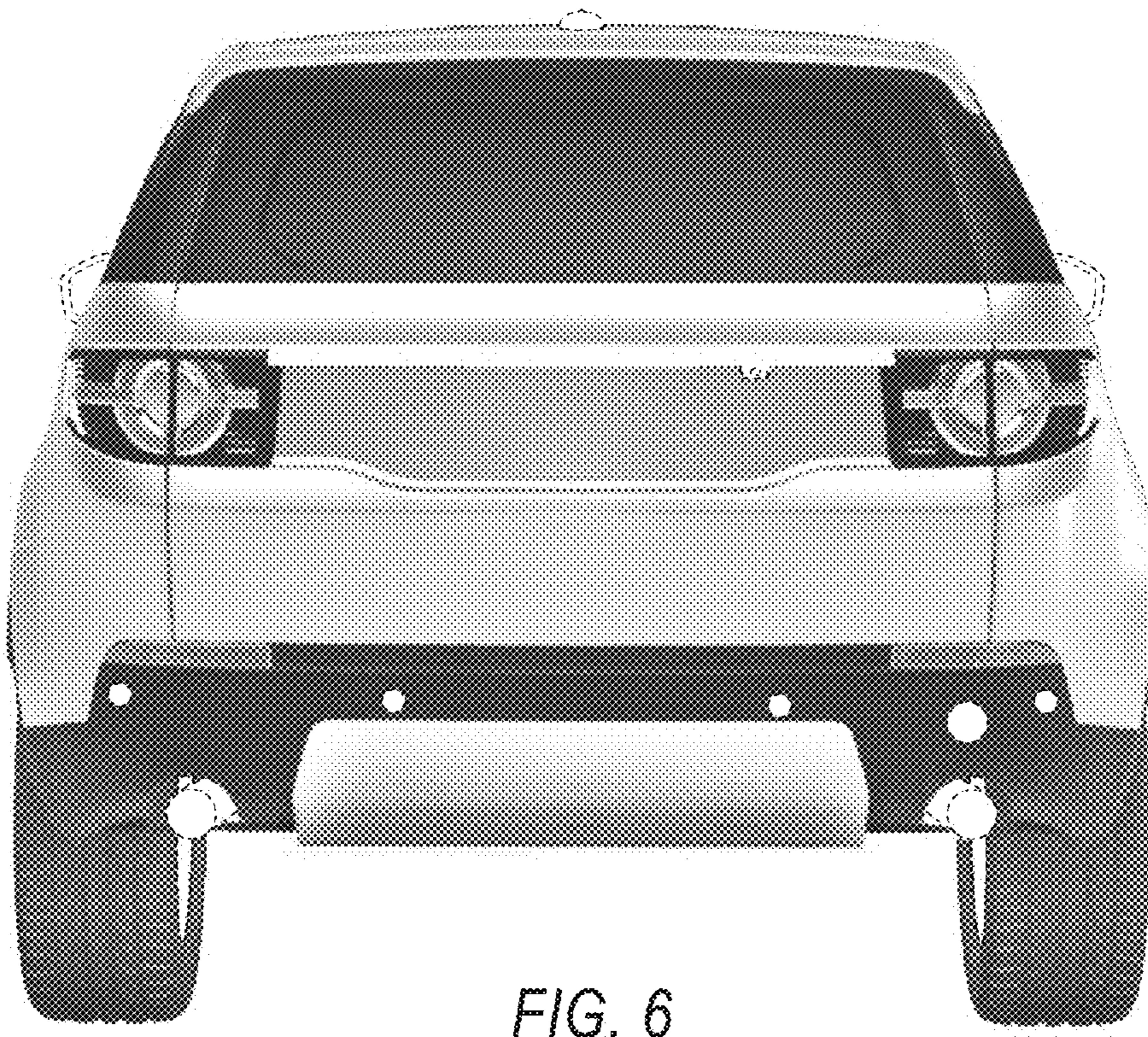


FIG. 4



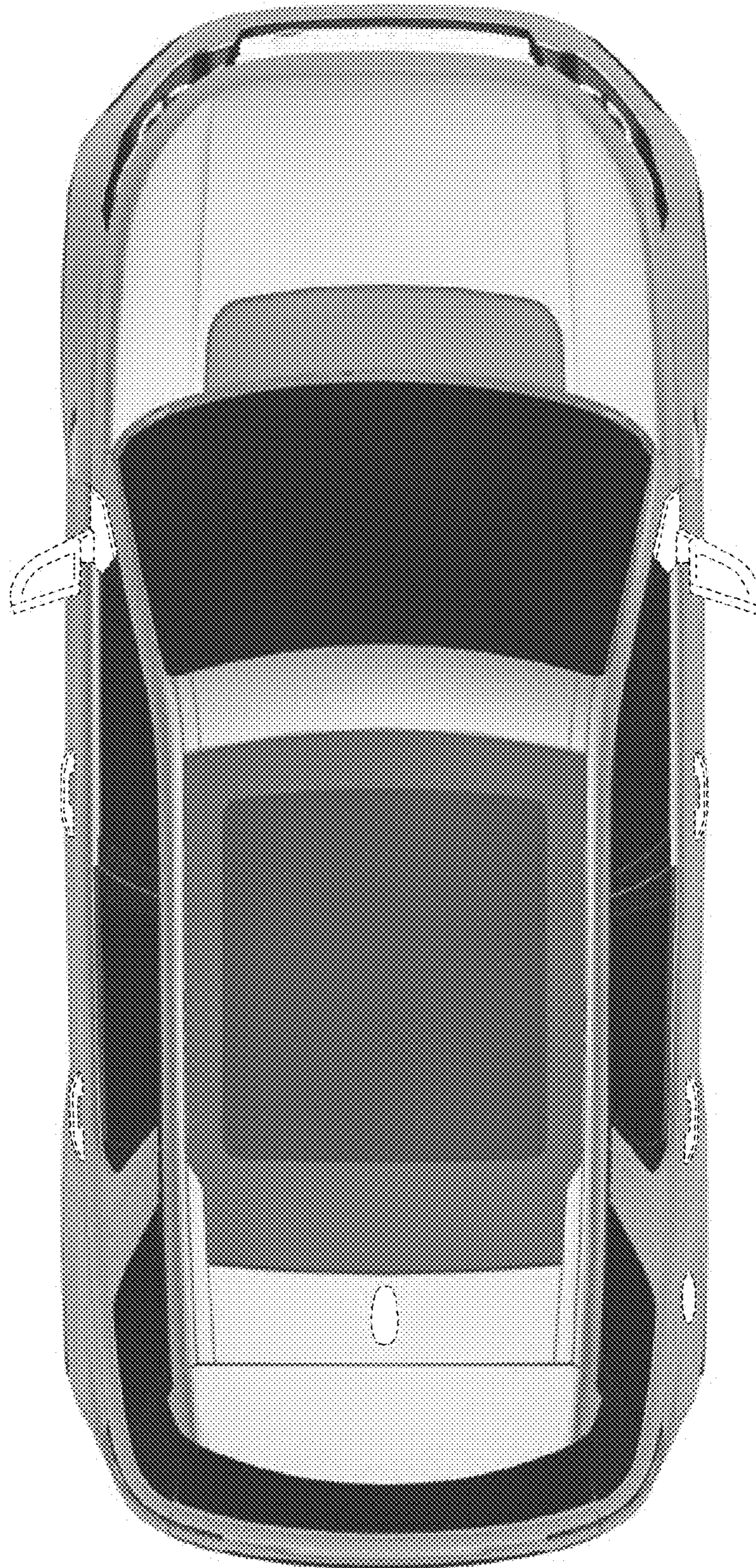


FIG. 7