



US00D752480S

(12) **United States Design Patent**
Chan

(10) **Patent No.:** **US D752,480 S**
(45) **Date of Patent:** **** Mar. 29, 2016**

(54) **ADJUST CLIP BUCKLE**

(71) Applicant: **Duraflex Hong Kong Limited**, Hong Kong (HK)

(72) Inventor: **Yick Fai Chan**, Hong Kong (HK)

(73) Assignee: **Duraflex Hong Kong Limited**, Hong Kong (HK)

(**) Term: **15 Years**

(21) Appl. No.: **29/533,153**

(22) Filed: **Jul. 15, 2015**

(30) **Foreign Application Priority Data**

Jan. 16, 2015 (CN) 2015 3 0013811

(51) **LOC (10) Cl.** **02-07**

(52) **U.S. Cl.**
USPC **D11/218**

(58) **Field of Classification Search**
USPC D11/1-2, 200-201, 206-210, 214-218;
24/163 R, 169-171, 173, 177-179, 191,
24/194-195, 197, 200, 614-616, 625,
24/198; D8/395
CPC A44B 11/00; A44B 11/02; A44B 11/25;
A44B 17/00; A44B 21/00; A41F 19/00;
A41F 9/00

See application file for complete search history.

(56) **References Cited**

U.S. PATENT DOCUMENTS

D214,825 S *	8/1969	Czapar	D11/210
D567,707 S *	4/2008	Yeates	D11/200
D568,782 S *	5/2008	Yang	D11/200
D568,785 S *	5/2008	Yang	D11/200
D688,088 S *	8/2013	Lee	D7/362
D724,994 S *	3/2015	Paik	D11/216

* cited by examiner

Primary Examiner — Ralf Seifert

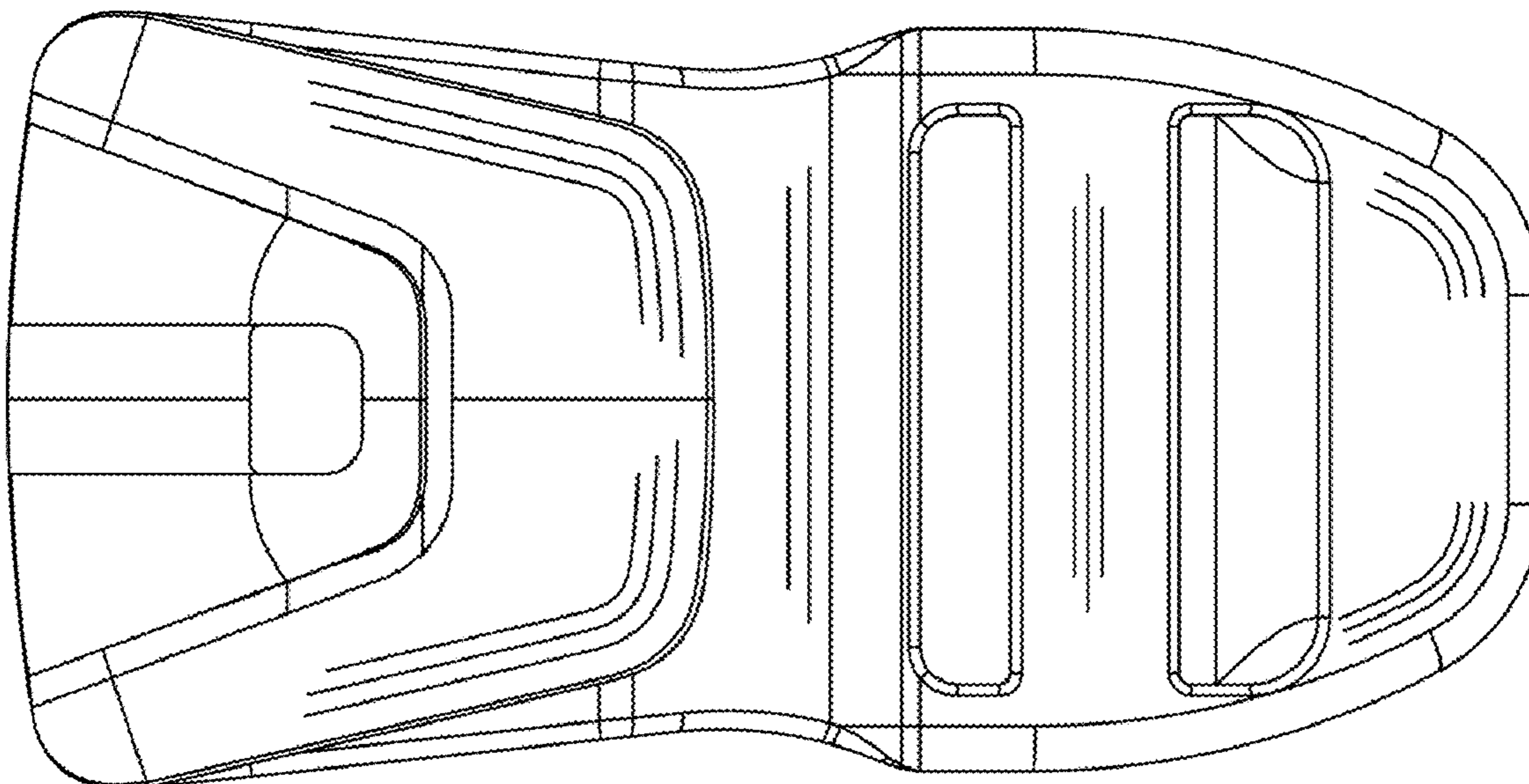
(57) **CLAIM**

The ornamental design for an adjust clip buckle, as shown and described.

DESCRIPTION

FIG. 1 is a front elevational view of a first embodiment of an adjust clip buckle showing my new design;
FIG. 2 is a rear elevational view thereof;
FIG. 3 is a left side view thereof;
FIG. 4 is a right side view thereof;
FIG. 5 is a top plan view thereof;
FIG. 6 is a bottom plan view thereof;
FIG. 7 is a first perspective view thereof;
FIG. 8 is a second perspective view thereof;
FIG. 9 is a front elevational view of a second embodiment of an adjust clip buckle;
FIG. 10 is a rear elevational view of FIG. 9;
FIG. 11 is a left side view of FIG. 9;
FIG. 12 is a right side view of FIG. 9;
FIG. 13 is a top plan view of FIG. 9;
FIG. 14 is a bottom plan view of FIG. 9;
FIG. 15 is a first perspective view of FIG. 9; and,
FIG. 16 is a second perspective view of FIG. 9.

1 Claim, 13 Drawing Sheets



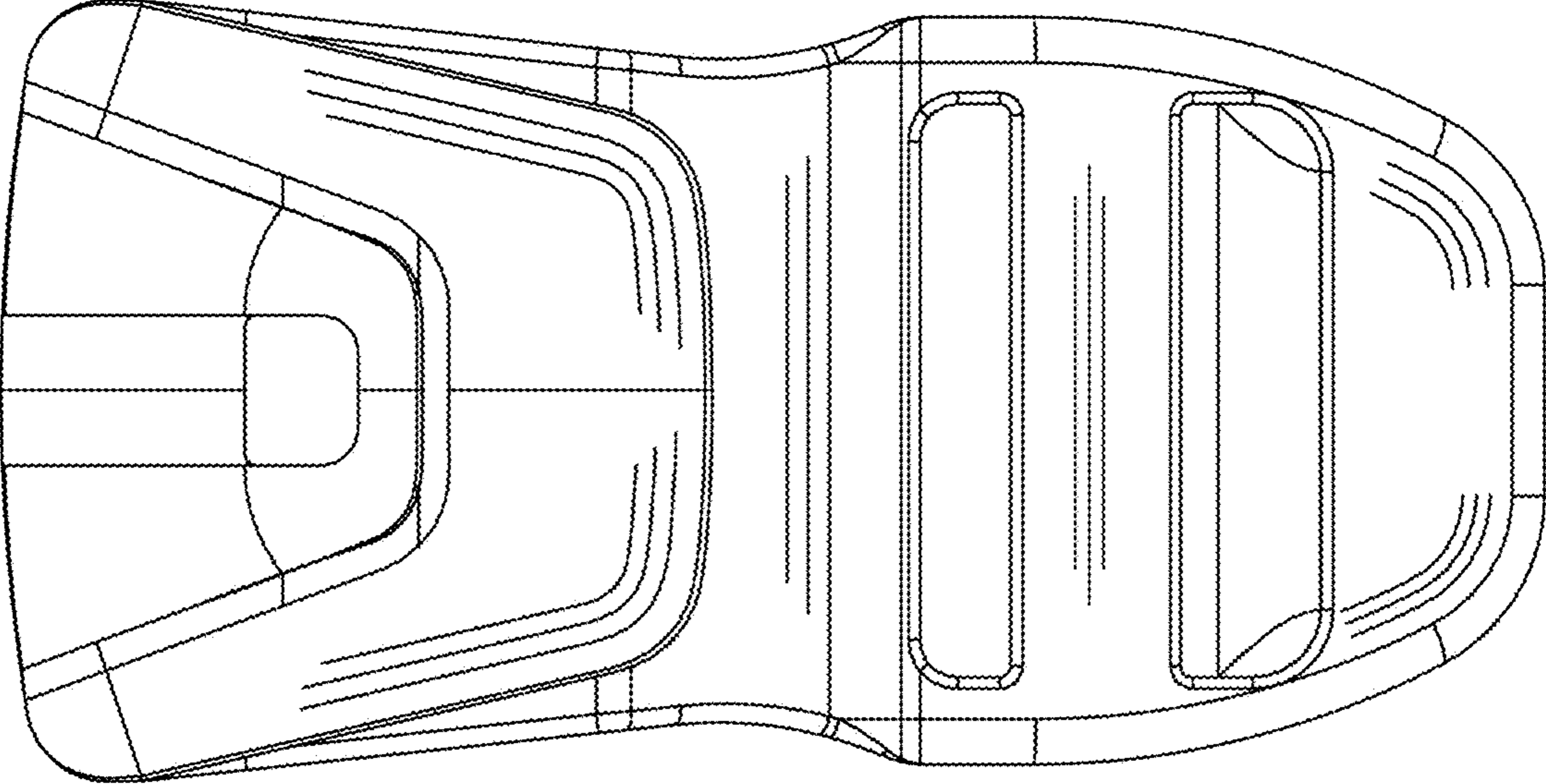


Fig.1

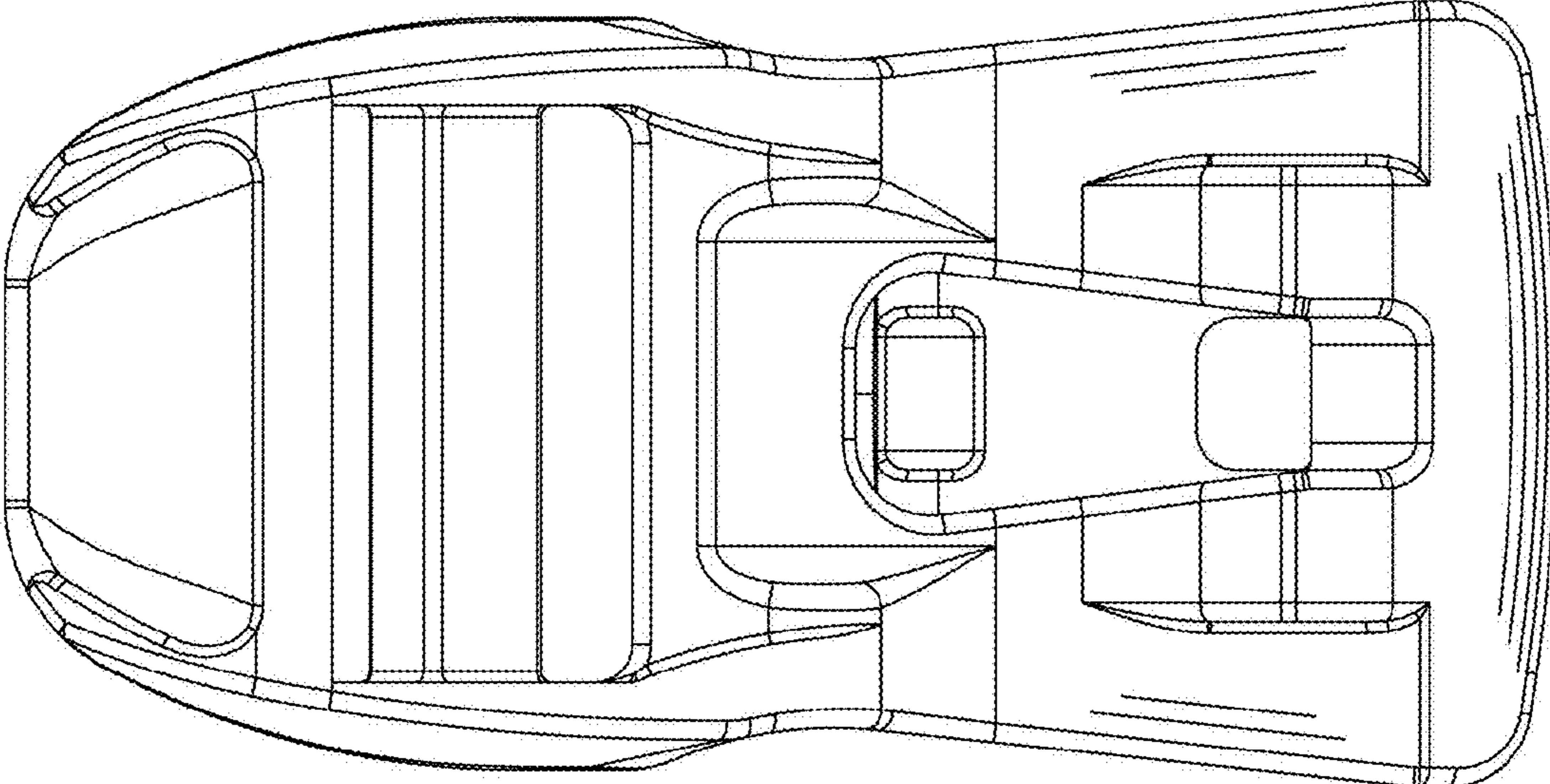


Fig.2

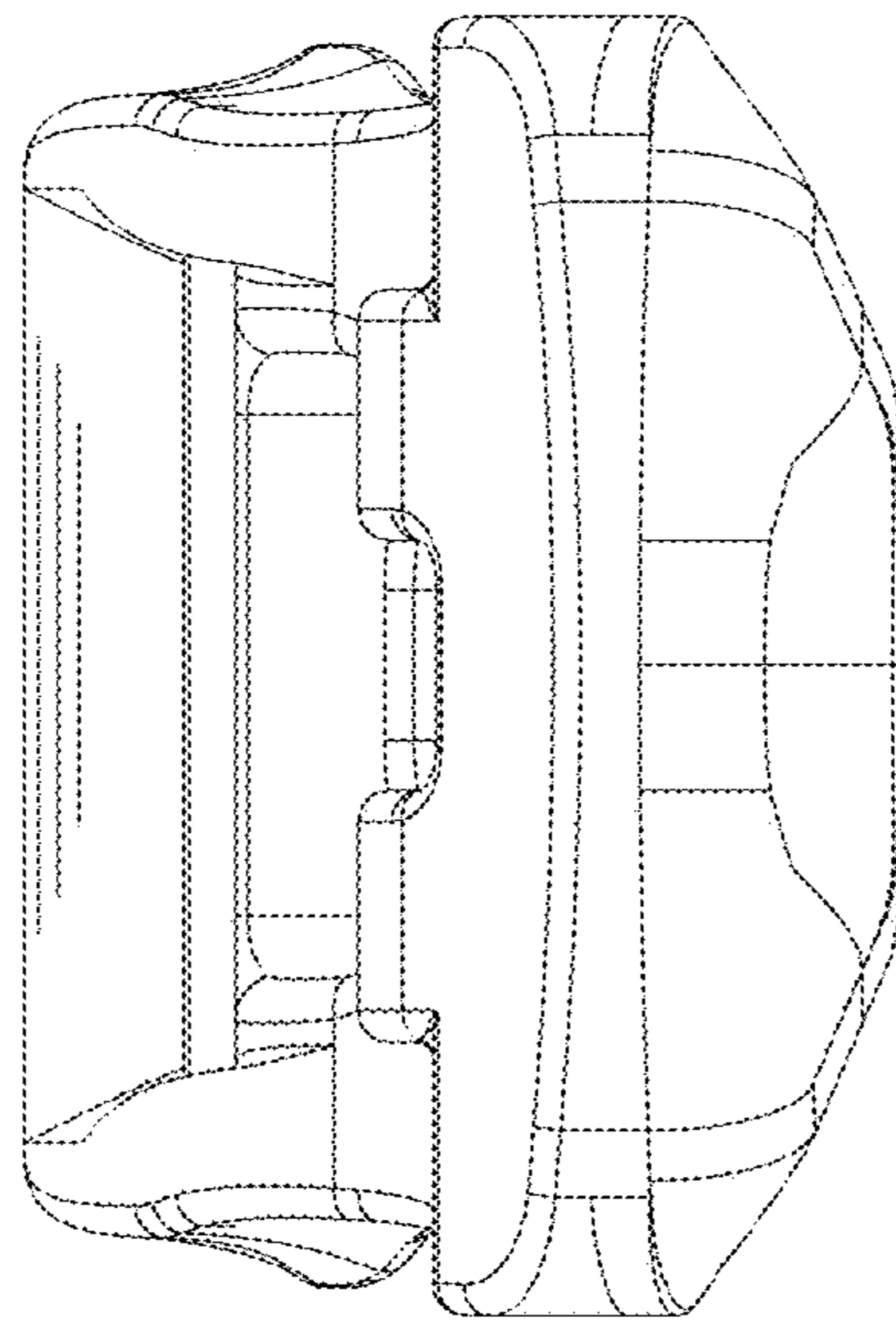


Fig.3

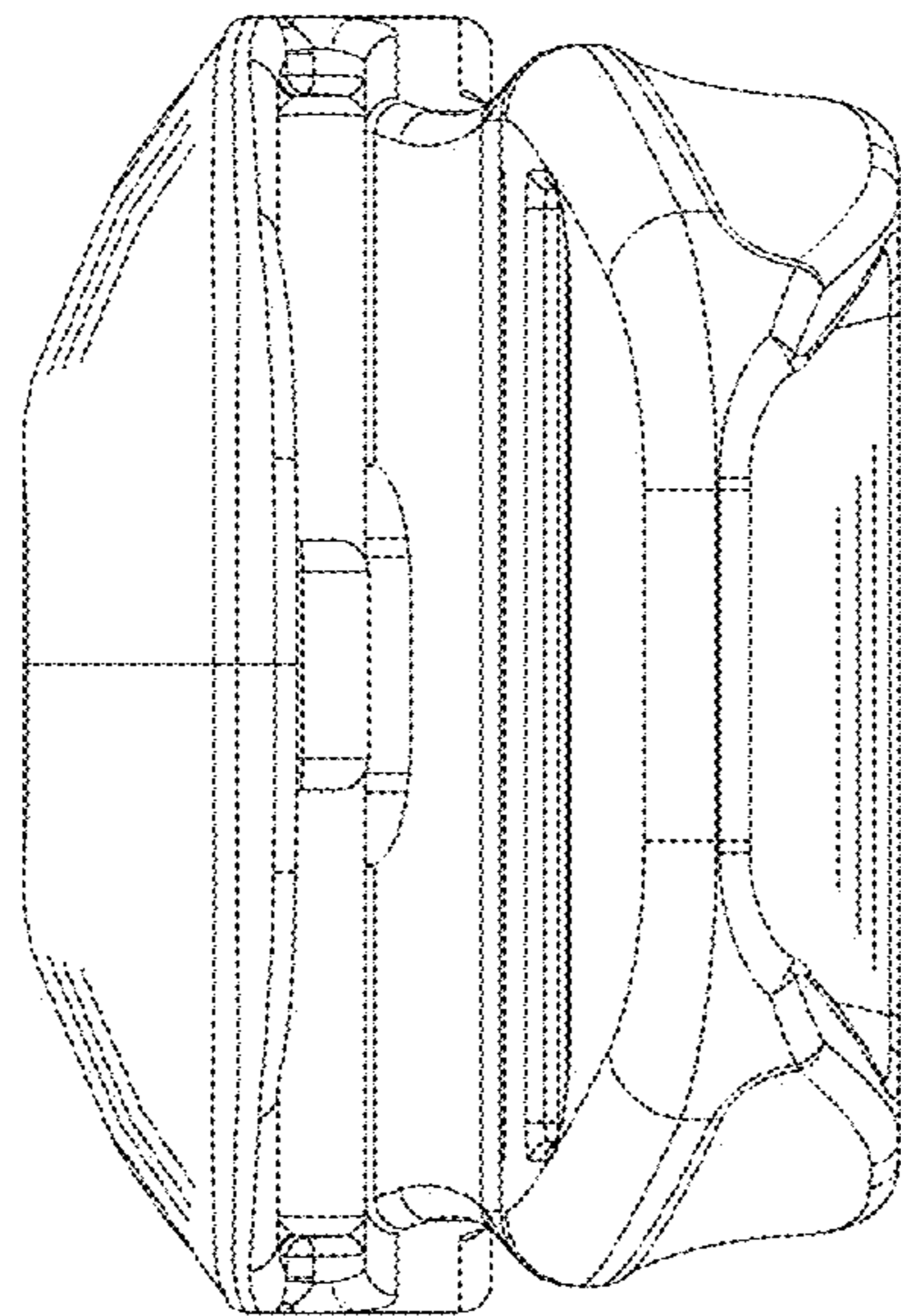


Fig.4

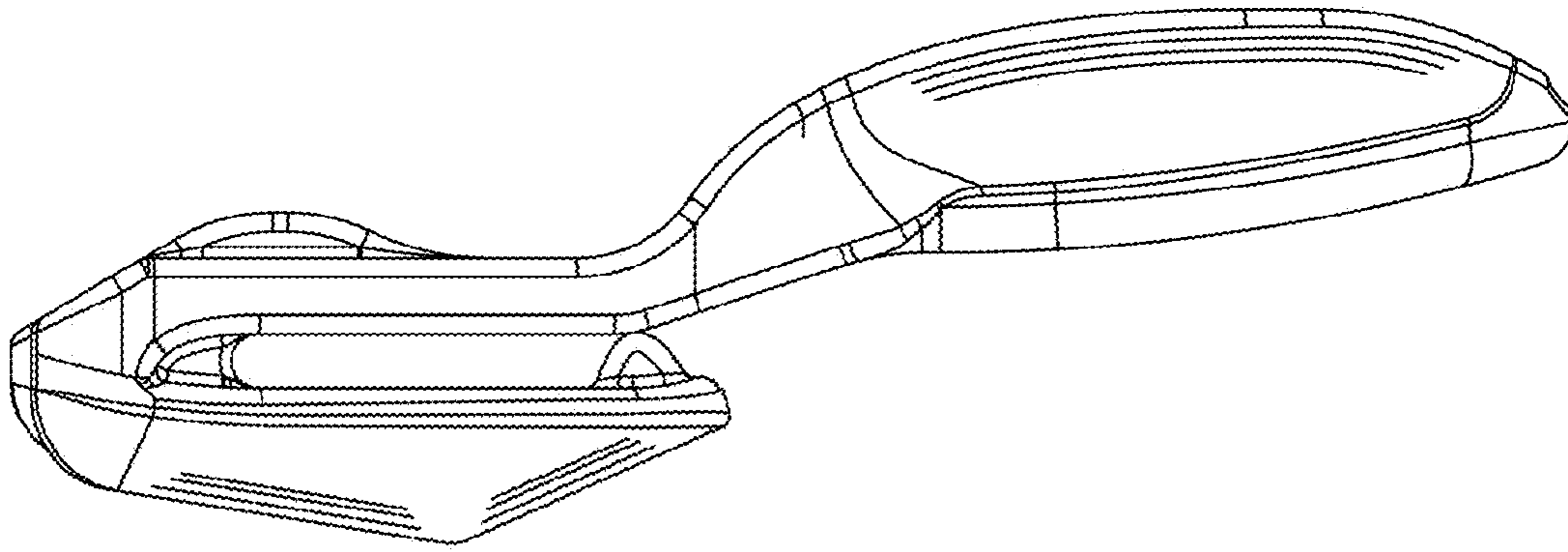


Fig.5

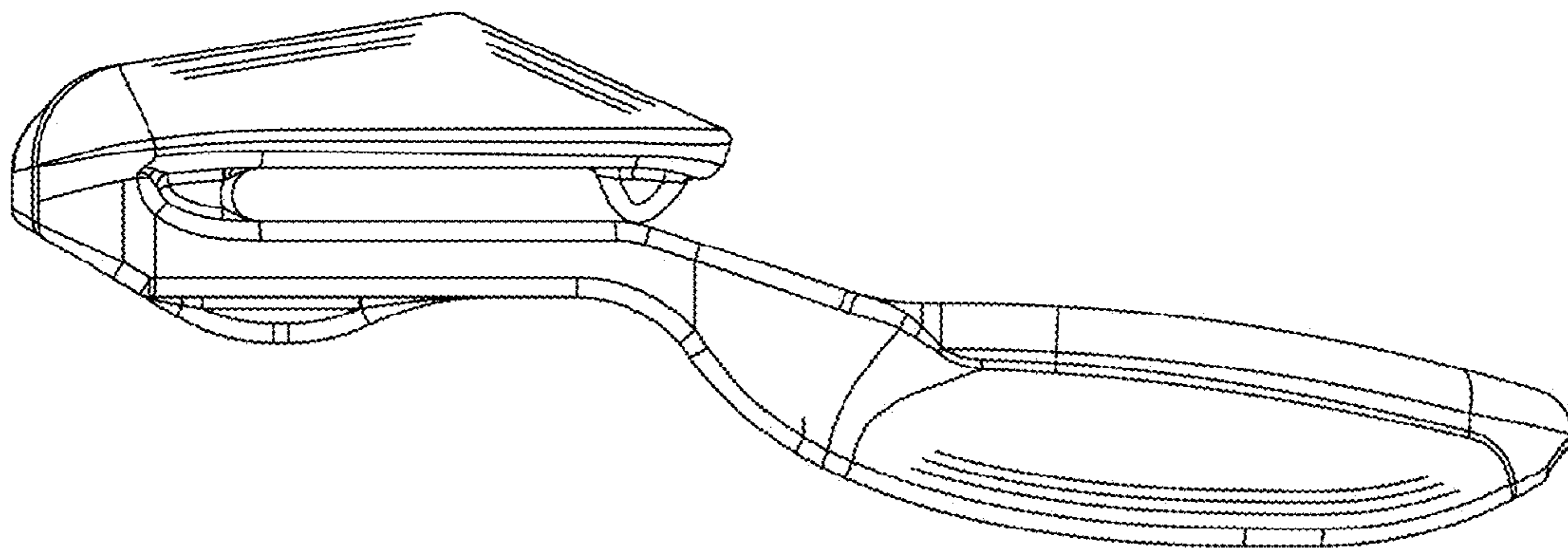


Fig.6

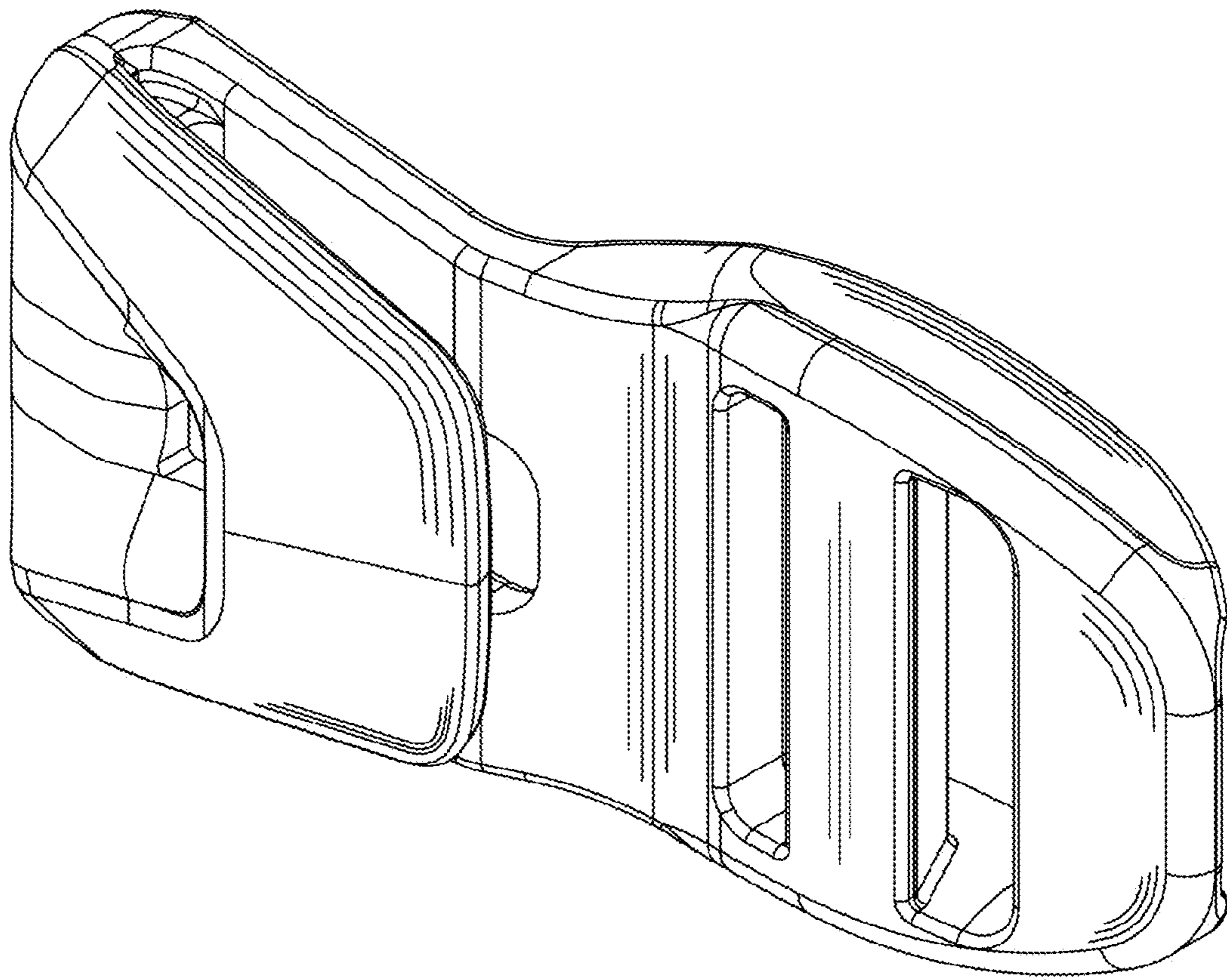


Fig.7

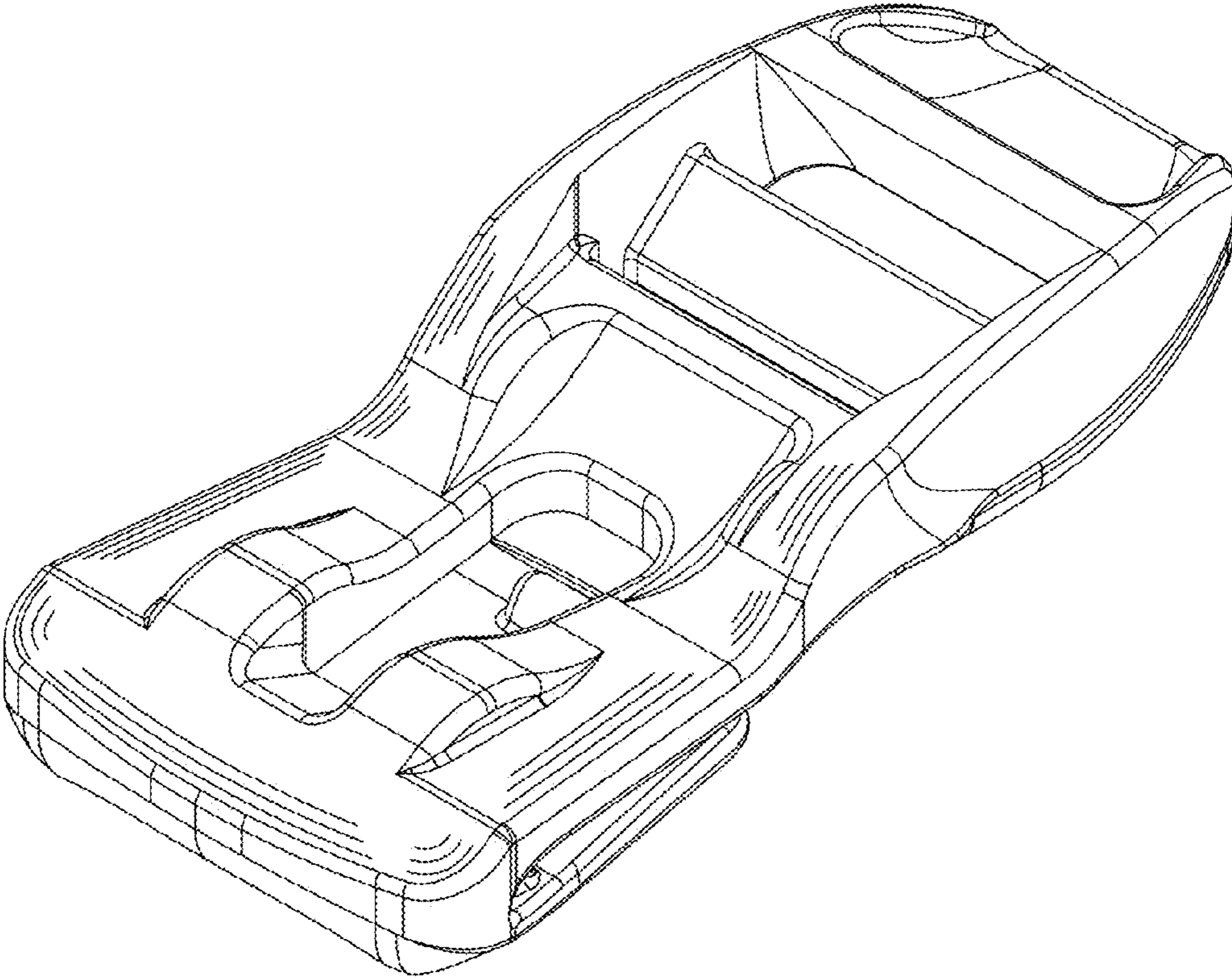


Fig.8

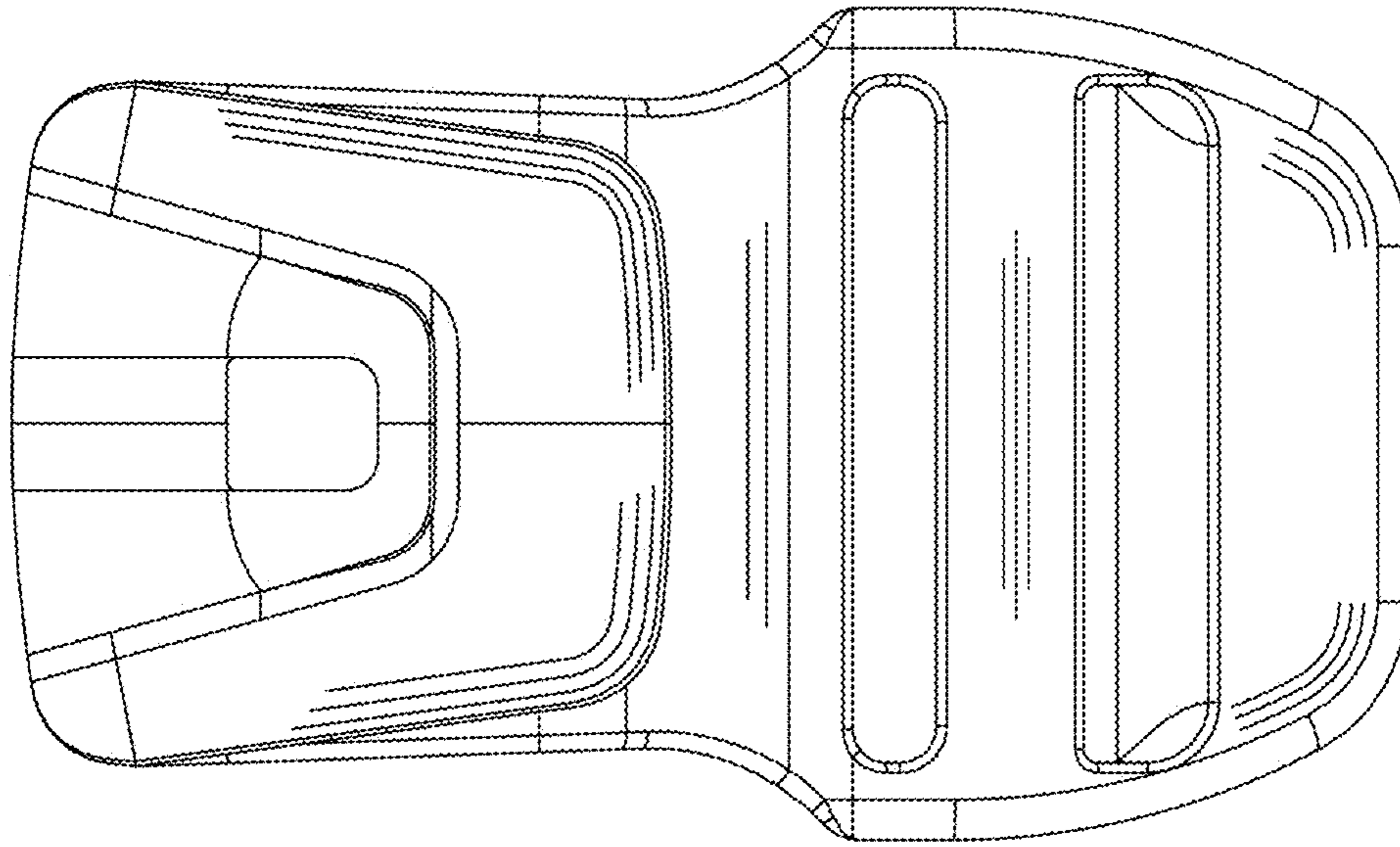


Fig.9

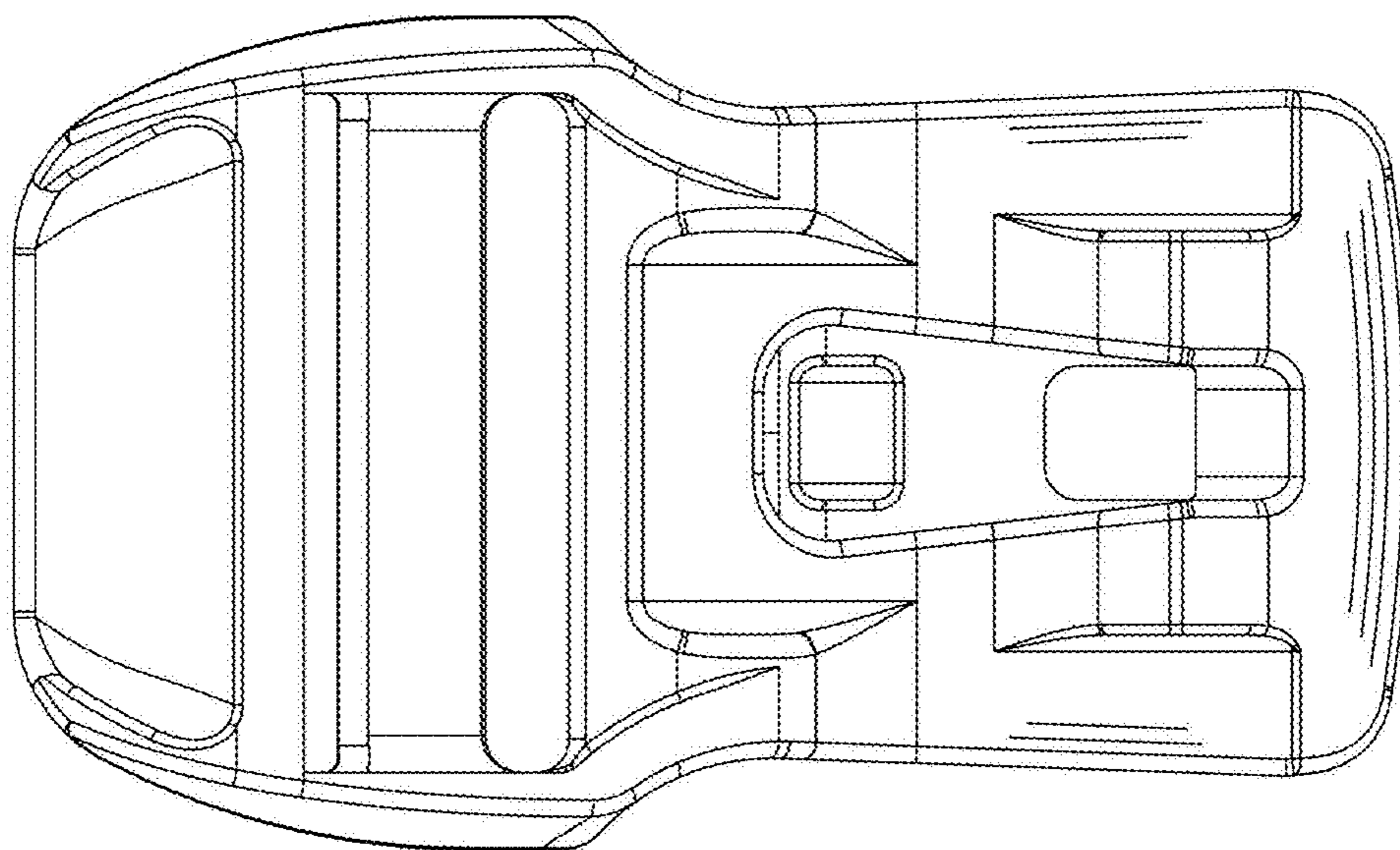


Fig.10

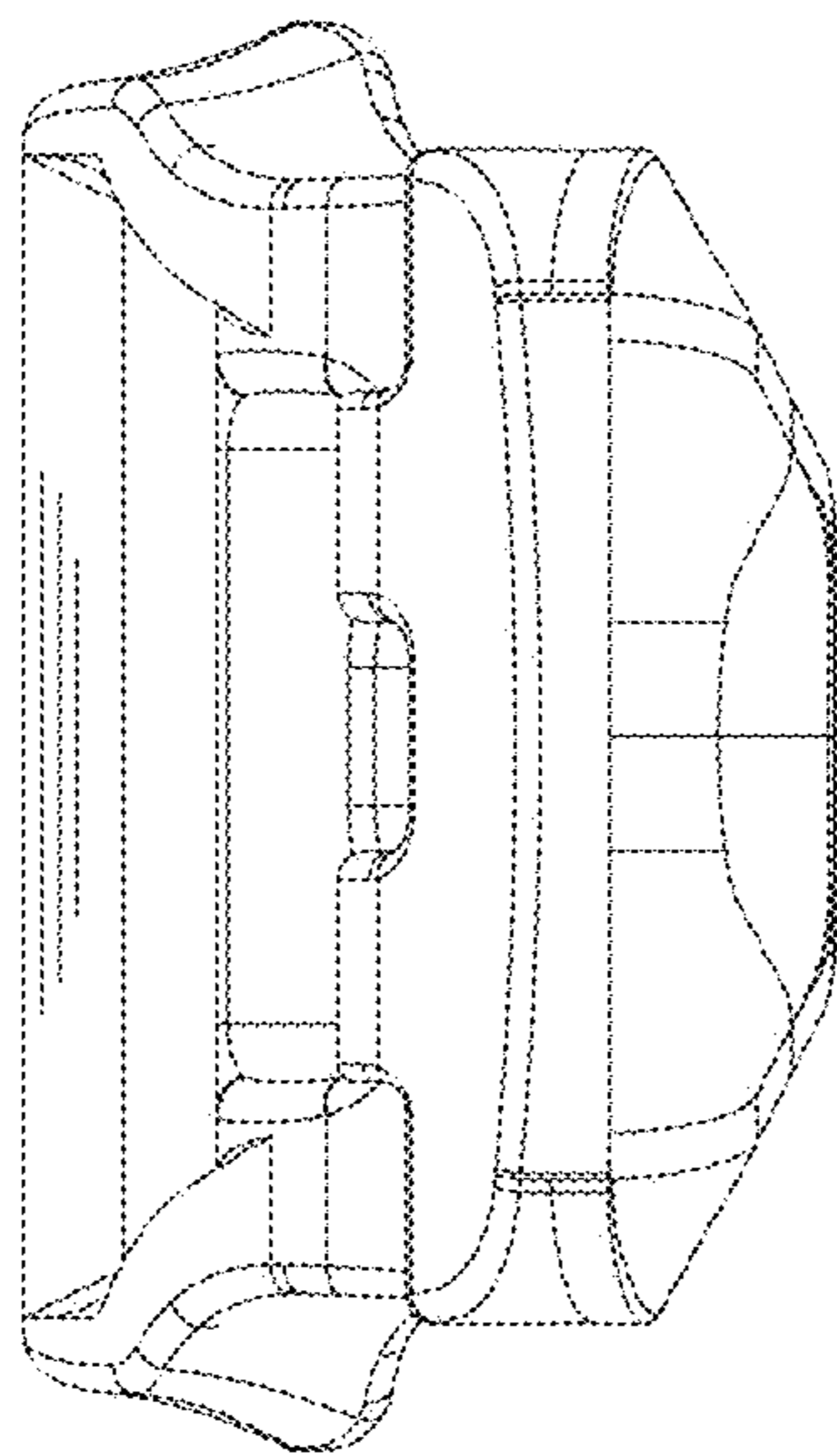


Fig.11

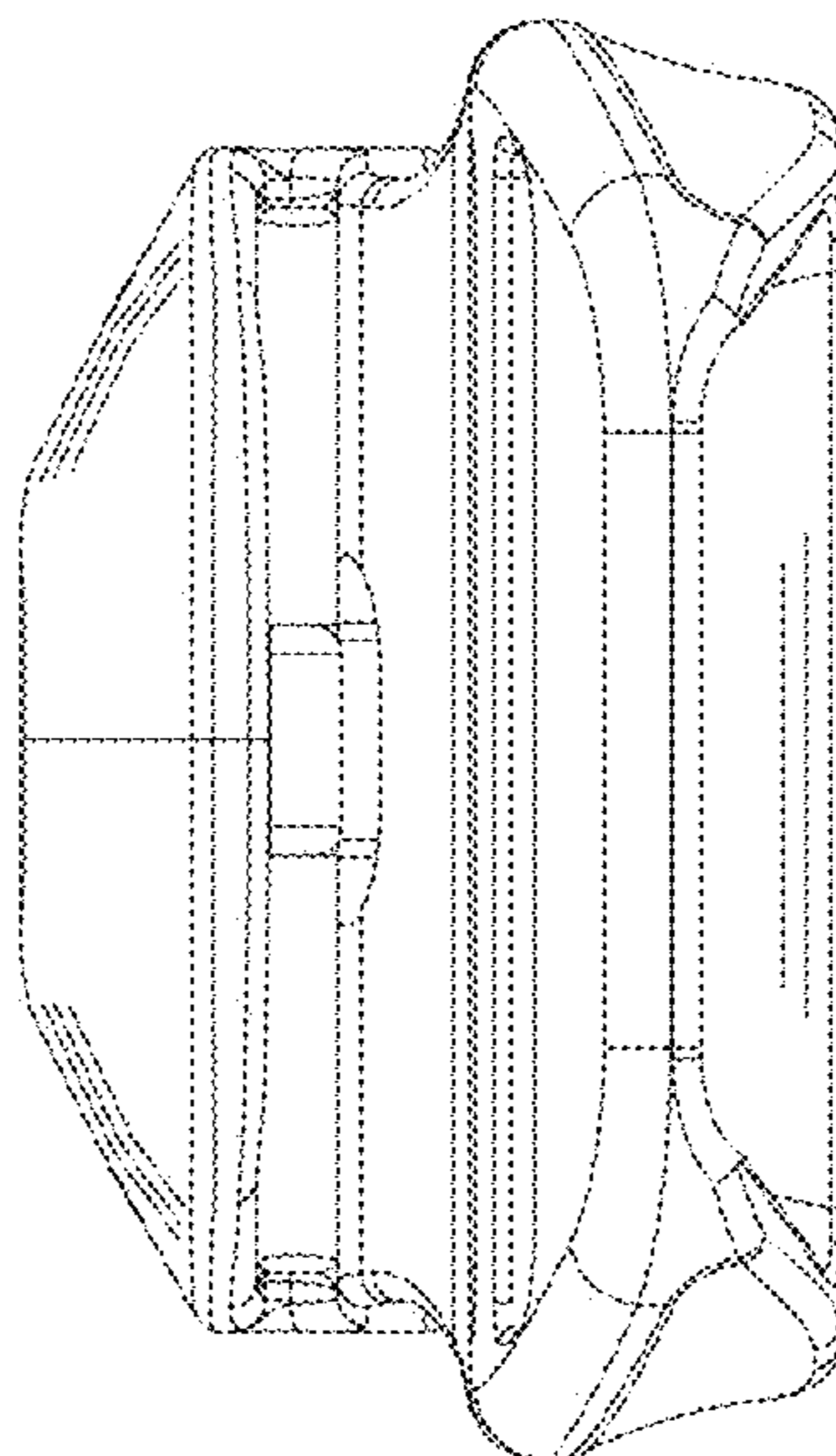


Fig.12

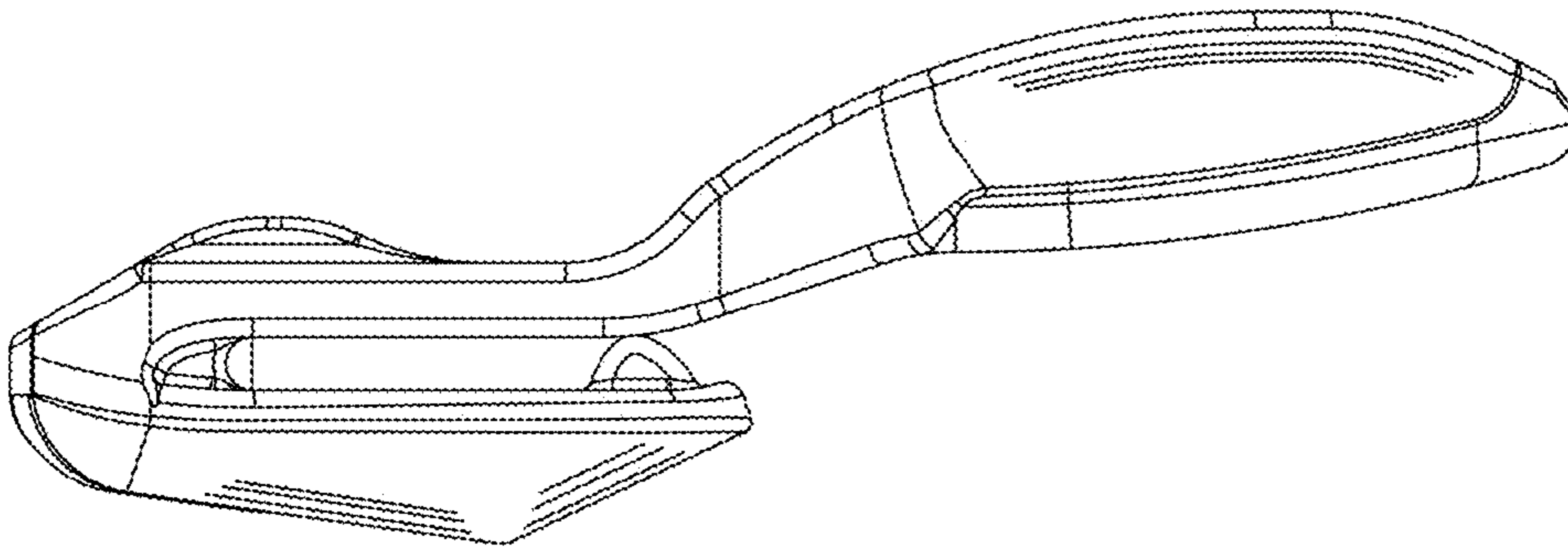


Fig.13

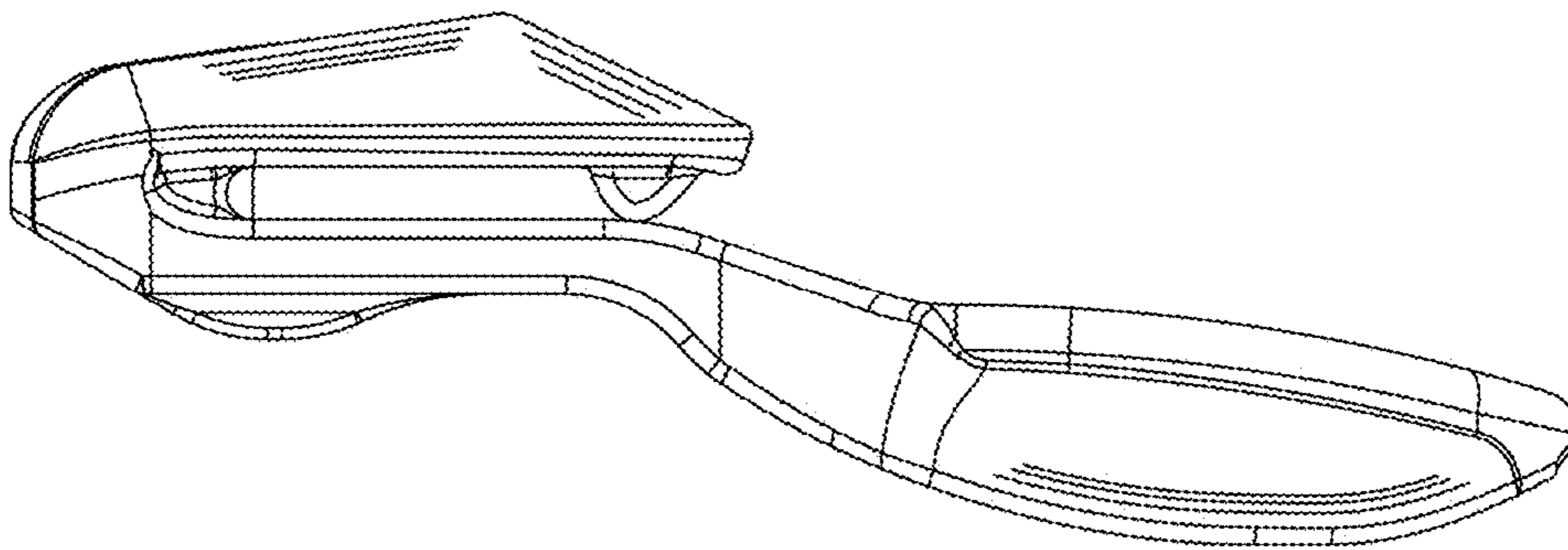


Fig.14

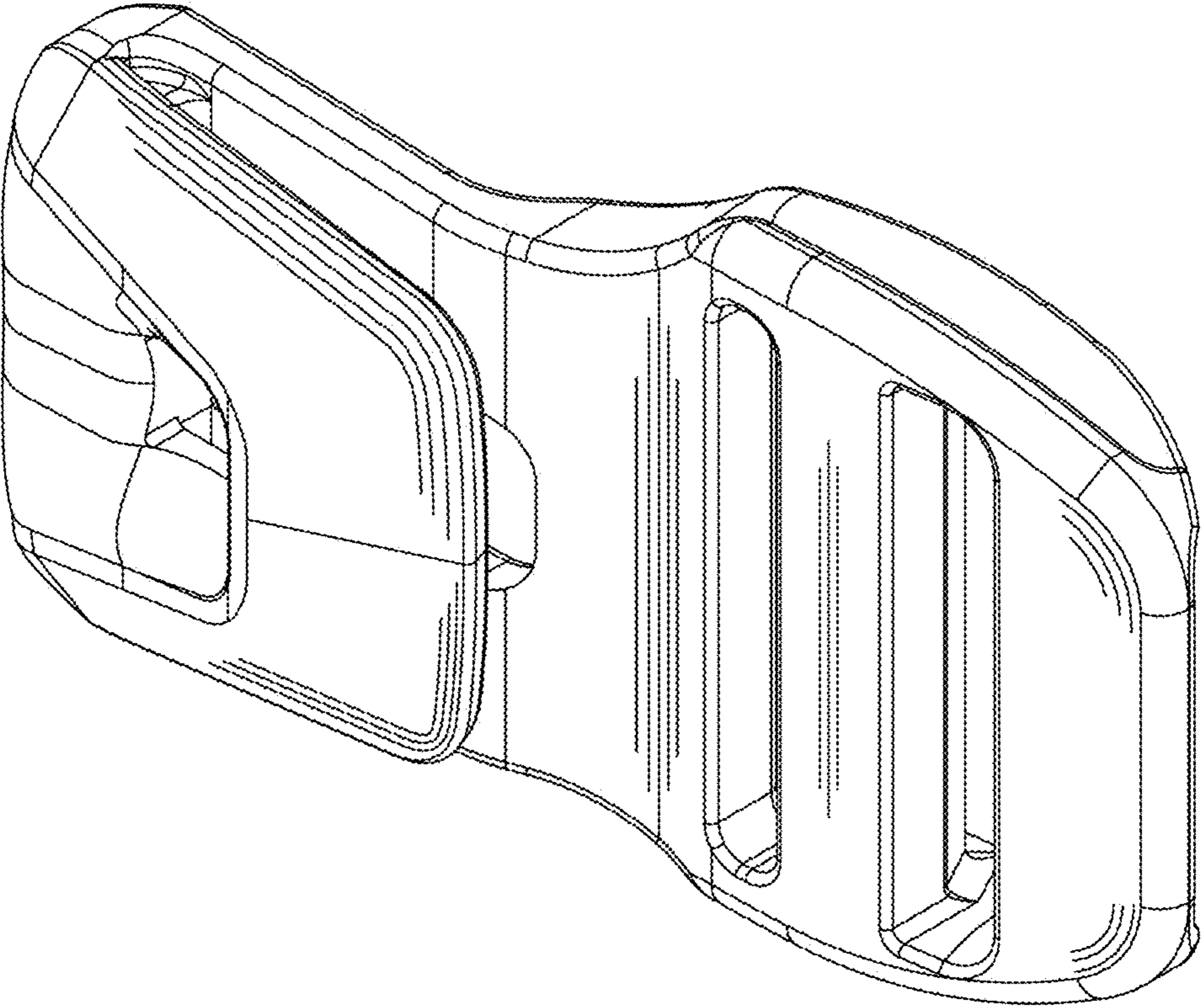


Fig.15

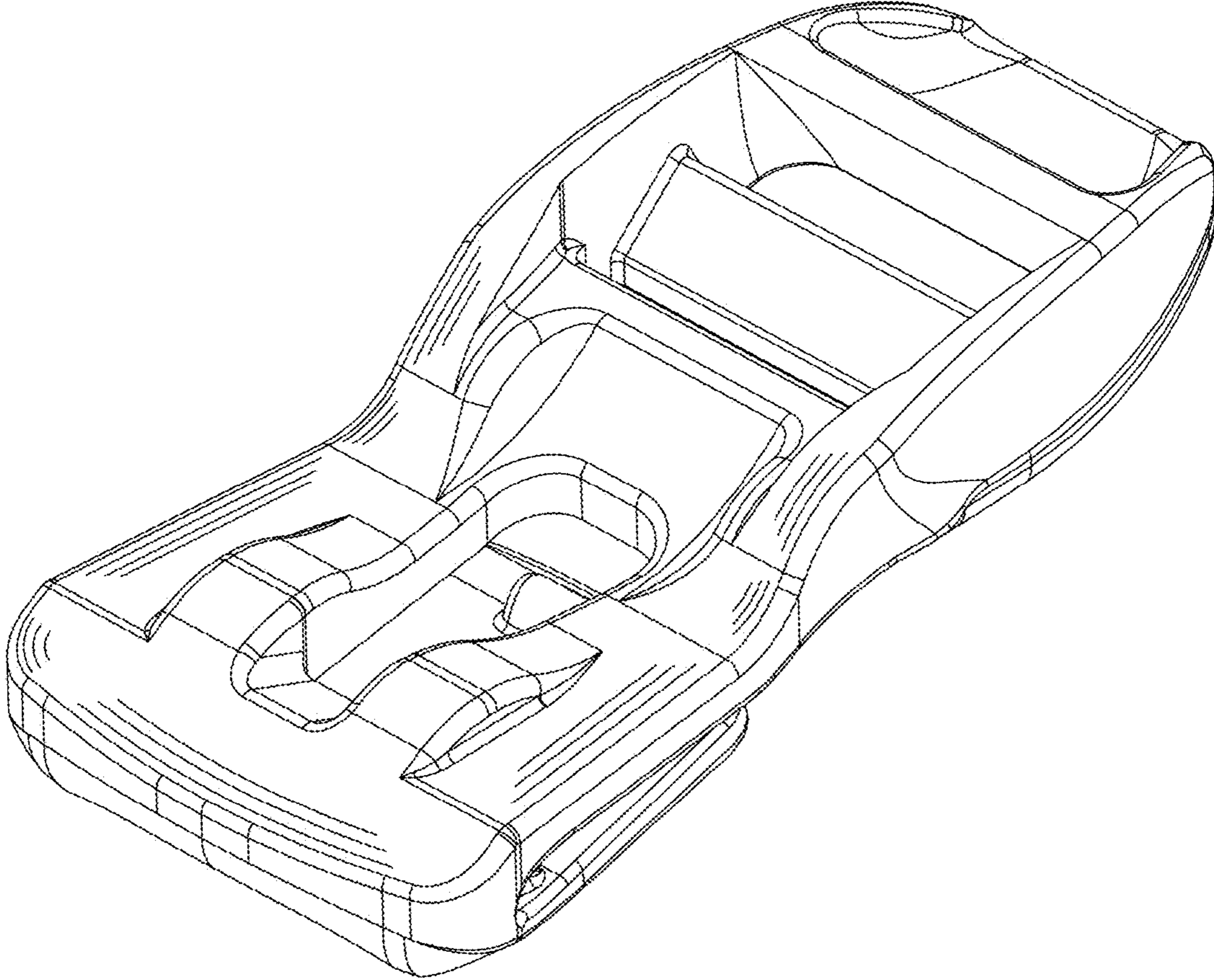


Fig.16