



US00D752476S

(12) **United States Design Patent**
Sapp et al.

(10) **Patent No.:** **US D752,476 S**
(45) **Date of Patent:** **** Mar. 29, 2016**

- (54) **NOVELTY GIFT PLAQUE**
- (71) Applicant: **American Greetings Corporation**,
Cleveland, OH (US)
- (72) Inventors: **Dave Sapp**, Avon Lake, OH (US); **David Mayer**, Bay Village, OH (US); **Seth Larson**, Lakewood, OH (US); **Anthony Begin**, Cleveland, OH (US)
- (73) Assignee: **American Greetings Corporation**,
Cleveland, OH (US)
- (**) Term: **14 Years**
- (21) Appl. No.: **29/506,283**
- (22) Filed: **Oct. 14, 2014**
- (51) **LOC (10) Cl.** **11-02**
- (52) **U.S. Cl.**
USPC **D11/132; D11/133**
- (58) **Field of Classification Search**
USPC D11/131, 132, 133, 134, 157
CPC D04H 3/04; F16M 11/00; F16M 13/02;
A47G 1/12; A01G 5/04; B32B 27/08; B44C
5/00; B44C 5/02
See application file for complete search history.

D273,481 S *	4/1984	Ditto	D11/132
D320,364 S *	10/1991	Hernandez	D11/131
D356,977 S *	4/1995	Roethler	D11/132
D357,643 S *	4/1995	Ilaria	D11/131
D359,255 S *	6/1995	Williams	D11/132
D363,044 S *	10/1995	Bourcy	D11/132
D364,111 S *	11/1995	Smolik	D11/132
D369,118 S *	4/1996	Bourcy	D11/131
D369,119 S *	4/1996	Taylor	D11/132
D386,007 S *	11/1997	Eckhardt	D11/131
D409,519 S *	5/1999	Hammond	D11/132
D440,525 S	4/2001	Robinson	
D446,745 S *	8/2001	Richardson	D11/133
D479,809 S *	9/2003	Banman	D11/132
D512,940 S *	12/2005	Petree, Jr.	D11/131
D526,594 S *	8/2006	Banman	D11/132
D544,273 S *	6/2007	Greggs	D6/553
D544,398 S *	6/2007	Banman	D11/132
D609,603 S *	2/2010	Green	D11/132
2006/0218827 A1	10/2006	Wang	
2011/0031363 A1 *	2/2011	Shaw	B44C 5/02 248/220.22

* cited by examiner

Primary Examiner — John Windmuller

Assistant Examiner — Steven Czyz

(74) *Attorney, Agent, or Firm* — Christine Flanagan

(57) **CLAIM**

The ornamental design for a novelty gift plaque, as shown and described.

DESCRIPTION

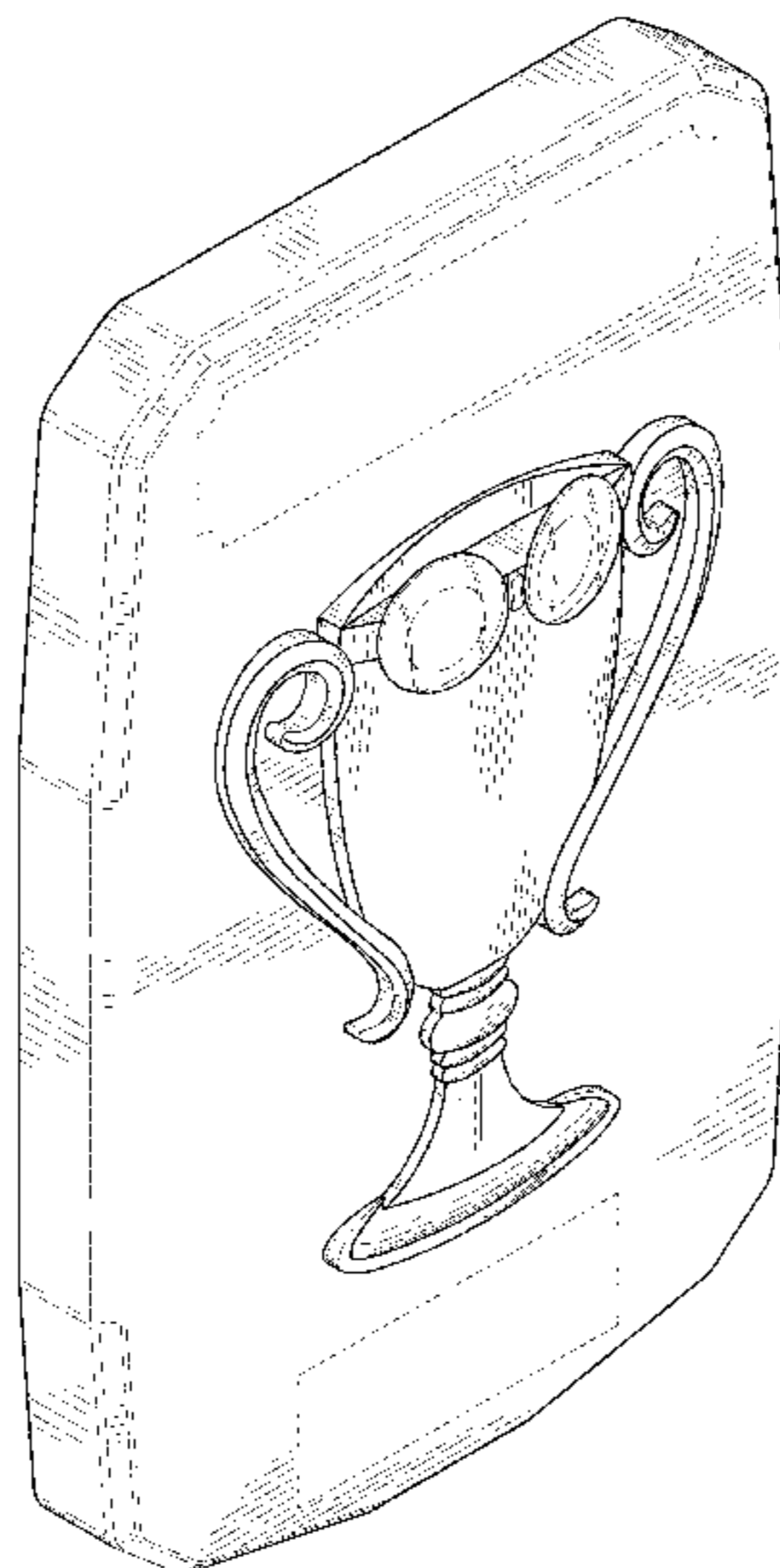
FIG. 1 is a perspective view of a novelty gift plaque of the present invention;
 FIG. 2 is a front view of the novelty gift plaque of FIG. 1.
 FIG. 3 is a rear view of the novelty gift plaque of FIG. 1.
 FIG. 4 is a right side view of the novelty gift plaque of FIG. 1.
 FIG. 5 is a left side view of the novelty gift plaque of FIG. 1.
 FIG. 6 is a top view of the novelty gift plaque of FIG. 1; and,
 FIG. 7 is a bottom view of the novelty gift plaque of FIG. 1.

1 Claim, 5 Drawing Sheets

(56) **References Cited**

U.S. PATENT DOCUMENTS

D78,020 S *	3/1929	Hajny et al.	D11/132
D90,363 S *	7/1933	Eichelsdoerfer et al.	D11/132
D135,264 S *	3/1943	Gaston et al.	D11/132
4,190,691 A *	2/1980	Kramer	B44C 5/02 40/725
D255,437 S *	6/1980	Allgood, II	D11/133
D260,748 S *	9/1981	Buschmann	D11/103
D265,471 S *	7/1982	Lanahan	D11/133
D267,556 S *	1/1983	Allgood, II	D11/133
D268,654 S *	4/1983	Allgood, II	D11/134



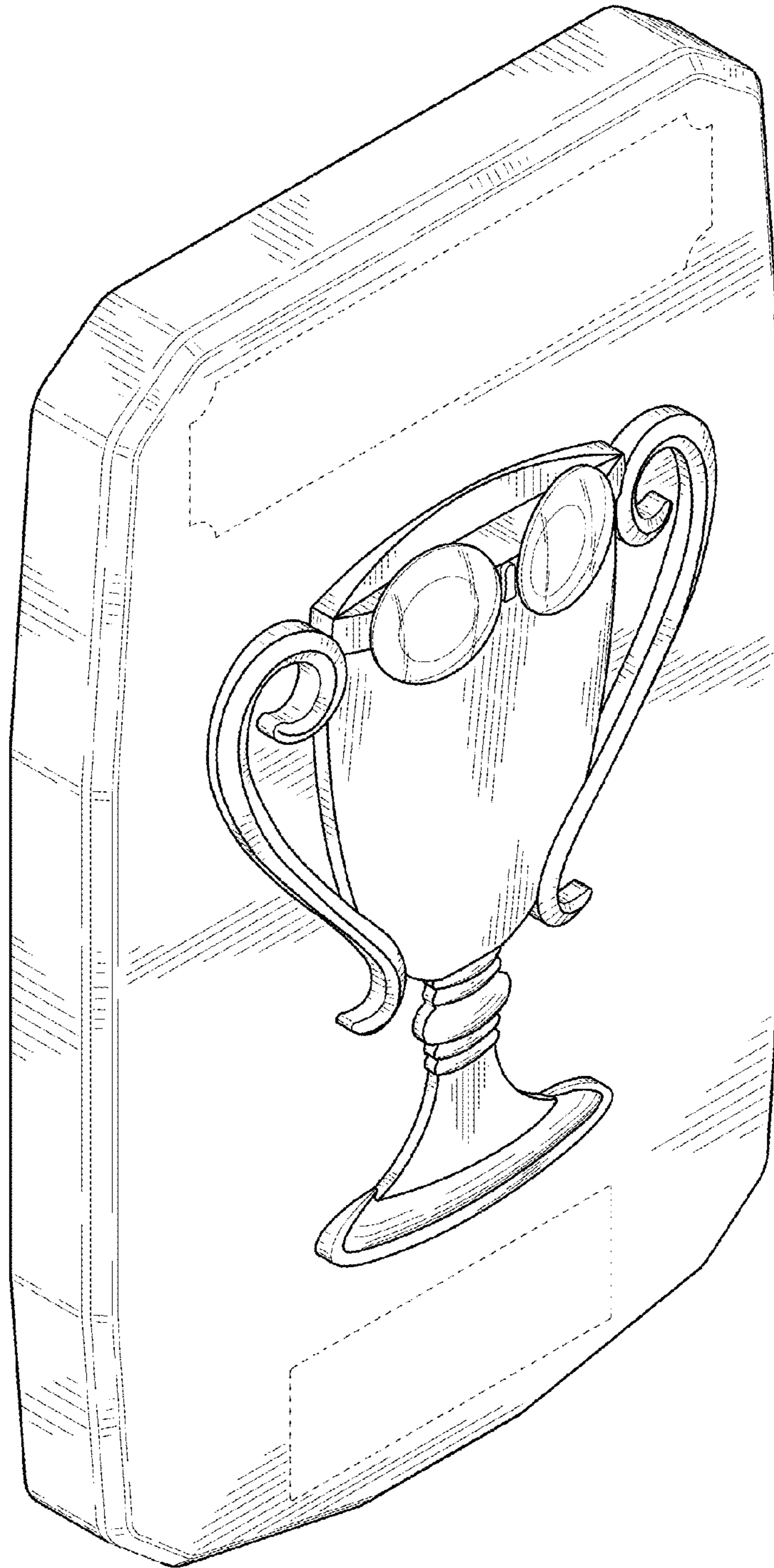


Fig. 1



Fig. 2



Fig. 3

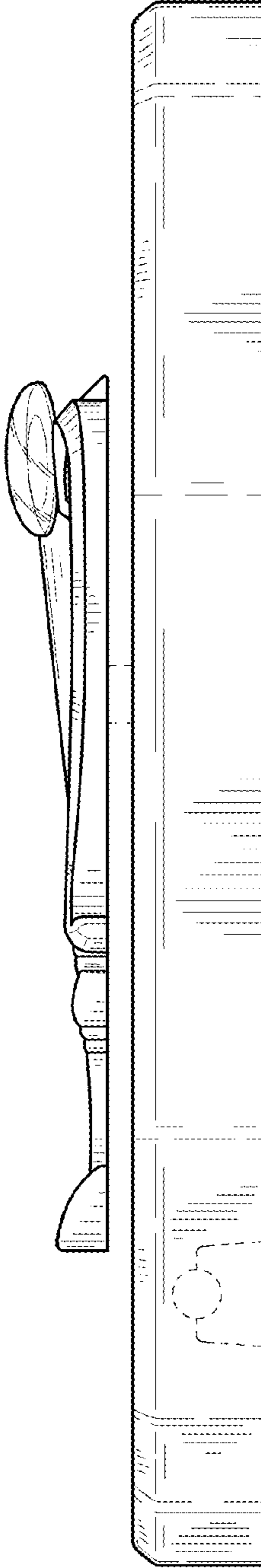


Fig. 4

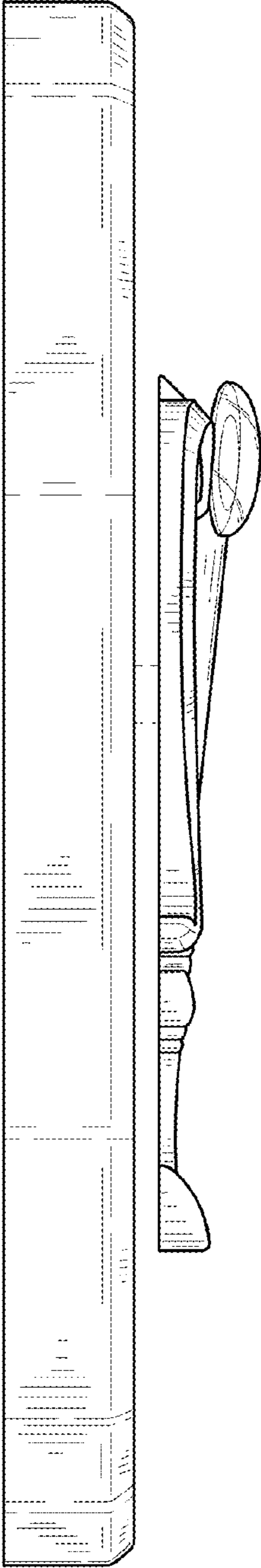


Fig. 5

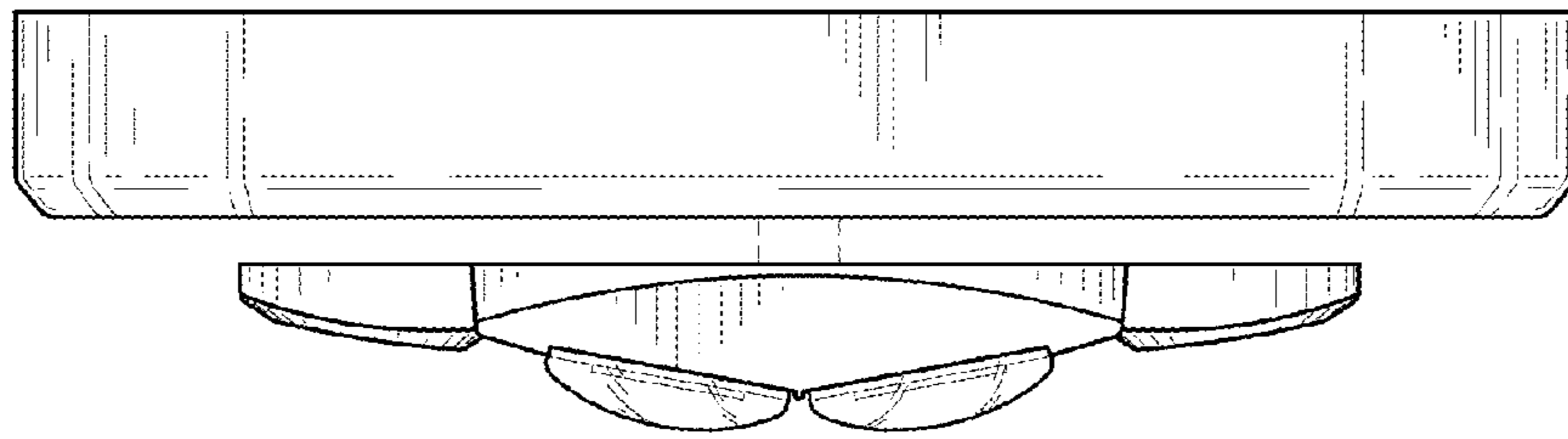


Fig. 6

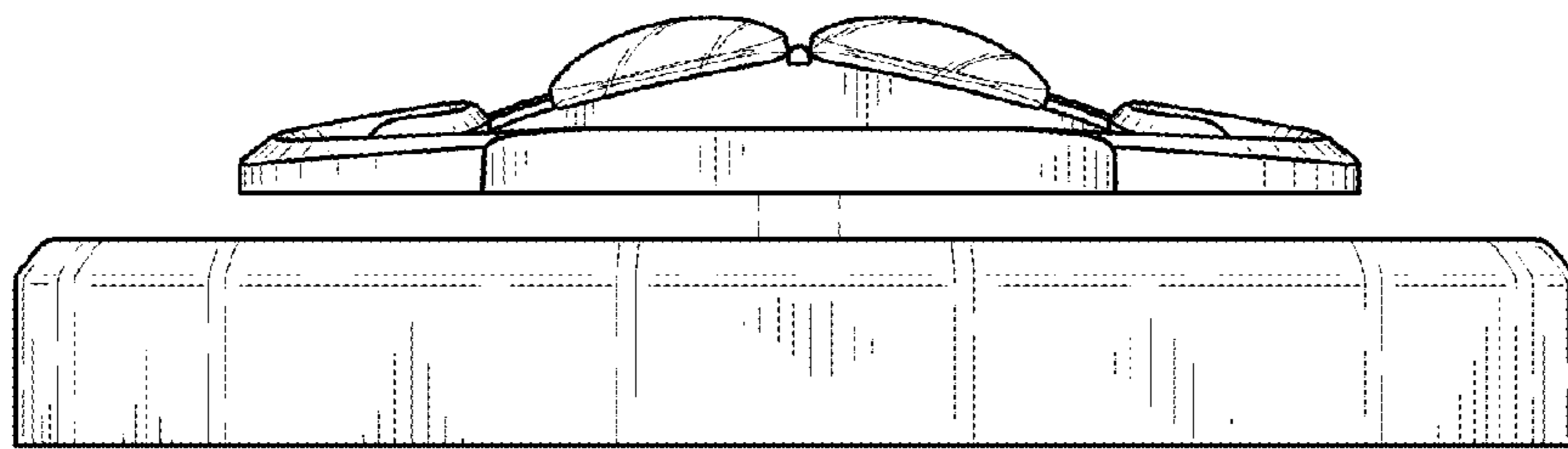


Fig. 7