



US00D752470S

(12) **United States Design Patent**  
**Miller**

(10) **Patent No.:** **US D752,470 S**  
(45) **Date of Patent:** **\*\* Mar. 29, 2016**

- (54) **CHAIN WATCH**
- (71) Applicant: **Atocha Treasure Company, LLC**,  
Estero, FL (US)
- (72) Inventor: **Kenny Miller**, Estero, FL (US)
- (73) Assignee: **Atocha Treasure Company LLC**,  
Estero, FL (US)
- (\*\*) Term: **14 Years**
- (21) Appl. No.: **29/507,706**

D412,058	S	*	7/1999	Edworthy	.....	D3/208
D460,698	S	*	7/2002	Jamin	.....	D10/32
D479,768	S	*	9/2003	Macevicz	.....	D3/211
D542,168	S	*	5/2007	So	.....	D11/13
D545,234	S	*	6/2007	Sogoyan	.....	D11/13
D577,905	S	*	10/2008	Hu	.....	D3/207
D581,306	S	*	11/2008	So	.....	D11/13
D581,307	S	*	11/2008	So	.....	D11/13
D584,983	S	*	1/2009	So	.....	D11/13
D656,297	S	*	3/2012	Christian	.....	D2/627
D707,583	S	*	6/2014	Kalemos	.....	D11/87
D719,045	S	*	12/2014	Miller	.....	D11/13
D719,046	S	*	12/2014	Miller	.....	D11/13
2007/0084243	A1	*	4/2007	Moore	.....	A44C 11/002 63/38

- (22) Filed: **Oct. 30, 2014**
- (51) **LOC (10) Cl.** ..... **11-01**
- (52) **U.S. Cl.**  
USPC ..... **D11/13**
- (58) **Field of Classification Search**  
USPC ..... D11/1-26, 79, 93; D12/122-124  
CPC ..... A44C 5/00; A44C 5/0007; A44C 5/0015;  
A44C 5/0023; A44C 5/003; A44C 5/0038;  
A44C 5/0046; A44C 5/0053; A44C 5/0061;  
A44C 5/0069; A44C 5/0076; A44C 5/0084;  
A44C 5/0092; A44C 5/02; A44C 5/022;  
A44C 5/025; A44C 5/027; A44C 5/08;  
A44C 5/107

See application file for complete search history.

(56) **References Cited**

**U.S. PATENT DOCUMENTS**

D246,830	S	*	1/1978	Lossini	.....	D11/12
D246,960	S	*	1/1978	Lossini	.....	D11/12
D247,103	S	*	1/1978	Lossini	.....	D11/12
D292,144	S	*	10/1987	McClure	.....	D11/81
D358,355	S	*	5/1995	Fernandez	.....	D11/3
5,609,076	A	*	3/1997	Idland	.....	B67B 7/162 81/3.43
D380,168	S	*	6/1997	Droz	.....	D11/25
D396,658	S	*	8/1998	Engel	.....	D11/12
D400,468	S	*	11/1998	Norman	.....	D11/81
D401,164	S	*	11/1998	Wunderman	.....	D10/32

**OTHER PUBLICATIONS**

[Online] <http://www.ebay.com/itm/MENS-BIKE-CHAIN-BRACE-LET-STAINLESS-STEEL-DOUBLE-LINK-ROLLER-UNIQUE-DESIGN-/310774366031?hash=item485b987f4f>. Retrieved Nov. 12, 2015.\*

(Continued)

*Primary Examiner* — Garth Rademaker  
*Assistant Examiner* — Melanie Pellegrini  
(74) *Attorney, Agent, or Firm* — Kevin Keener; Keener and Associates P.C.

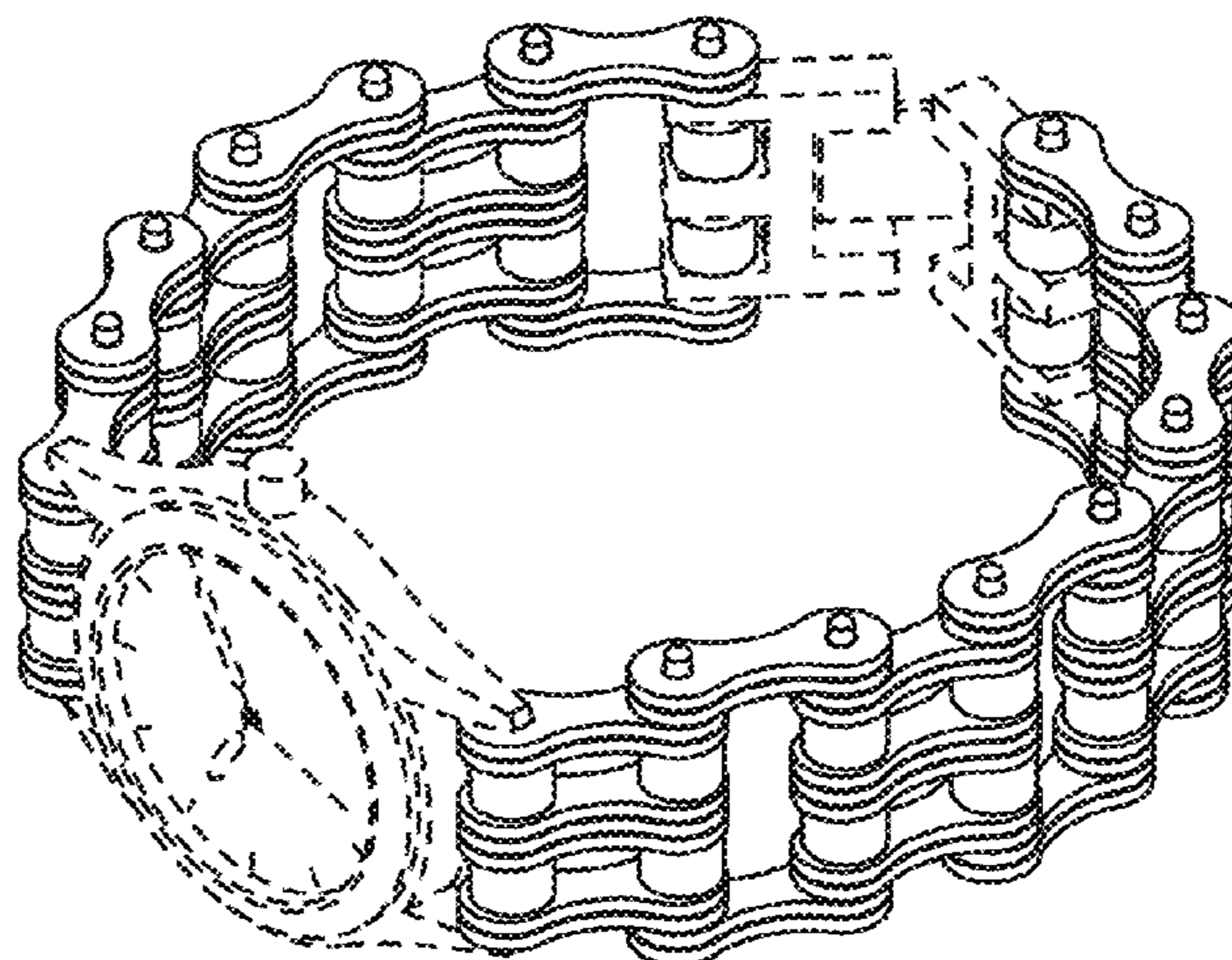
(57) **CLAIM**

The ornamental design for a chain watch, as shown and described.

**DESCRIPTION**

FIG. 1 is a top perspective view of a chain watch; FIG. 2 is a front elevation view thereof; FIG. 3 is a side elevation view thereof; and, FIG. 4 is an enlarged sectional view of a link of the chain watch shown separately for completeness of illustration. The broken lines shown in the drawings illustrate portions of the chain watch that form no part of the claimed design.

**1 Claim, 3 Drawing Sheets**



(56)

**References Cited**

OTHER PUBLICATIONS

[Online] [http://www.craftster.org/pictures/data/500/220887\\_09Jun10\\_P5280018.JPG](http://www.craftster.org/pictures/data/500/220887_09Jun10_P5280018.JPG). Retrieved Nov. 12, 2015. Posted online Jun. 9, 2010.\*

[Online] <http://i.ebayimg.com/images/i/111399972104-0-1/s-11000.jpg>. Retrieved Nov. 12, 2015.\*

[Online] <http://photos.imageevent.com/motorbiker/newspics3/Demos-Watch-2.jpg>. Retrieved Nov. 12, 2015.\*

[Online] [http://zales.imageg.net/graphics/product\\_images/pZALE1-6026565t240.jpg](http://zales.imageg.net/graphics/product_images/pZALE1-6026565t240.jpg). Retrieved Nov. 12, 2015.\*

[Online] <http://www.aliexpress.com/item/1-Wide-8-7-170g-Heavy-Men-Motorcycle-Motorbike-Bike-Chain-Bracelet-316L-Stainless-Steel-Biker/1976086313.html>. Retrieved Nov. 11, 2015. First recorded sale: Jun. 3, 2015.\*

\* cited by examiner

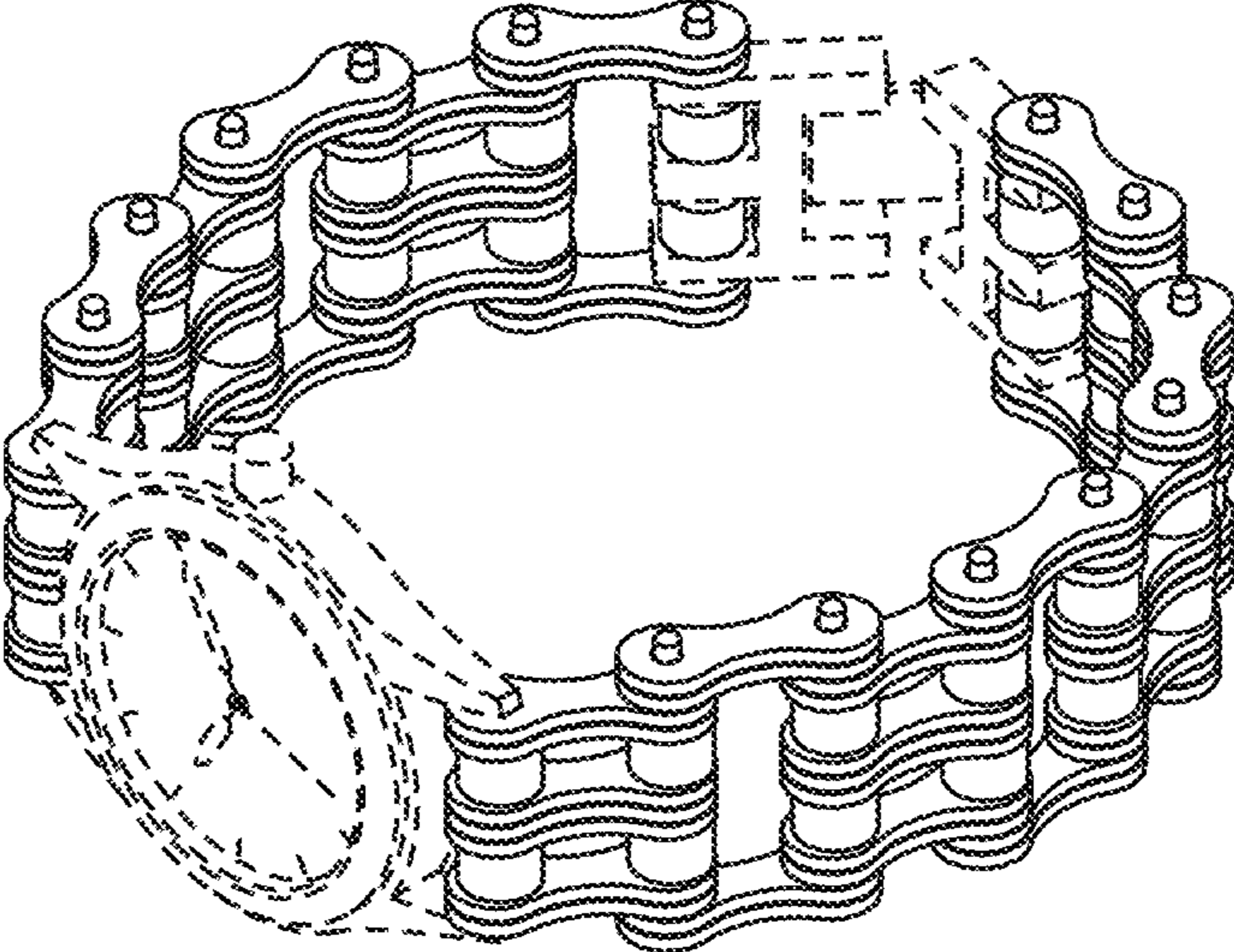


FIG. 1

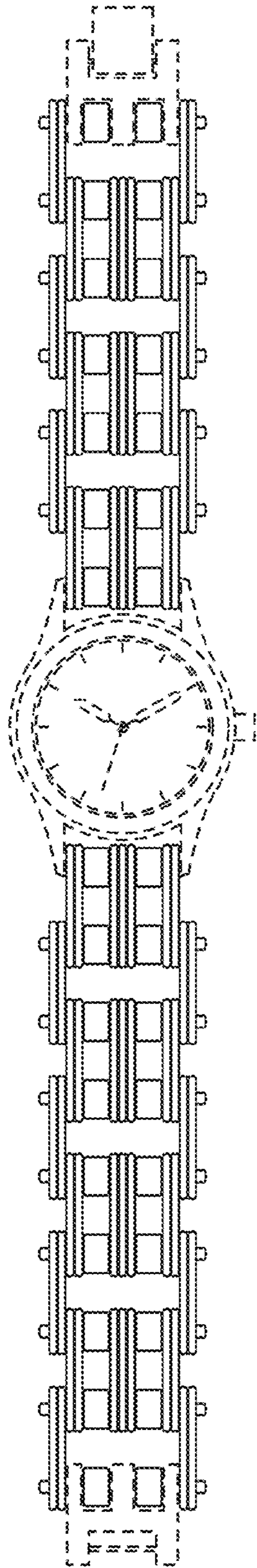


FIG. 2

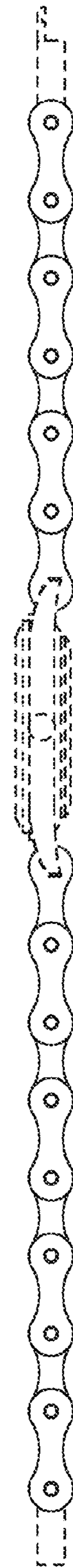


FIG. 3

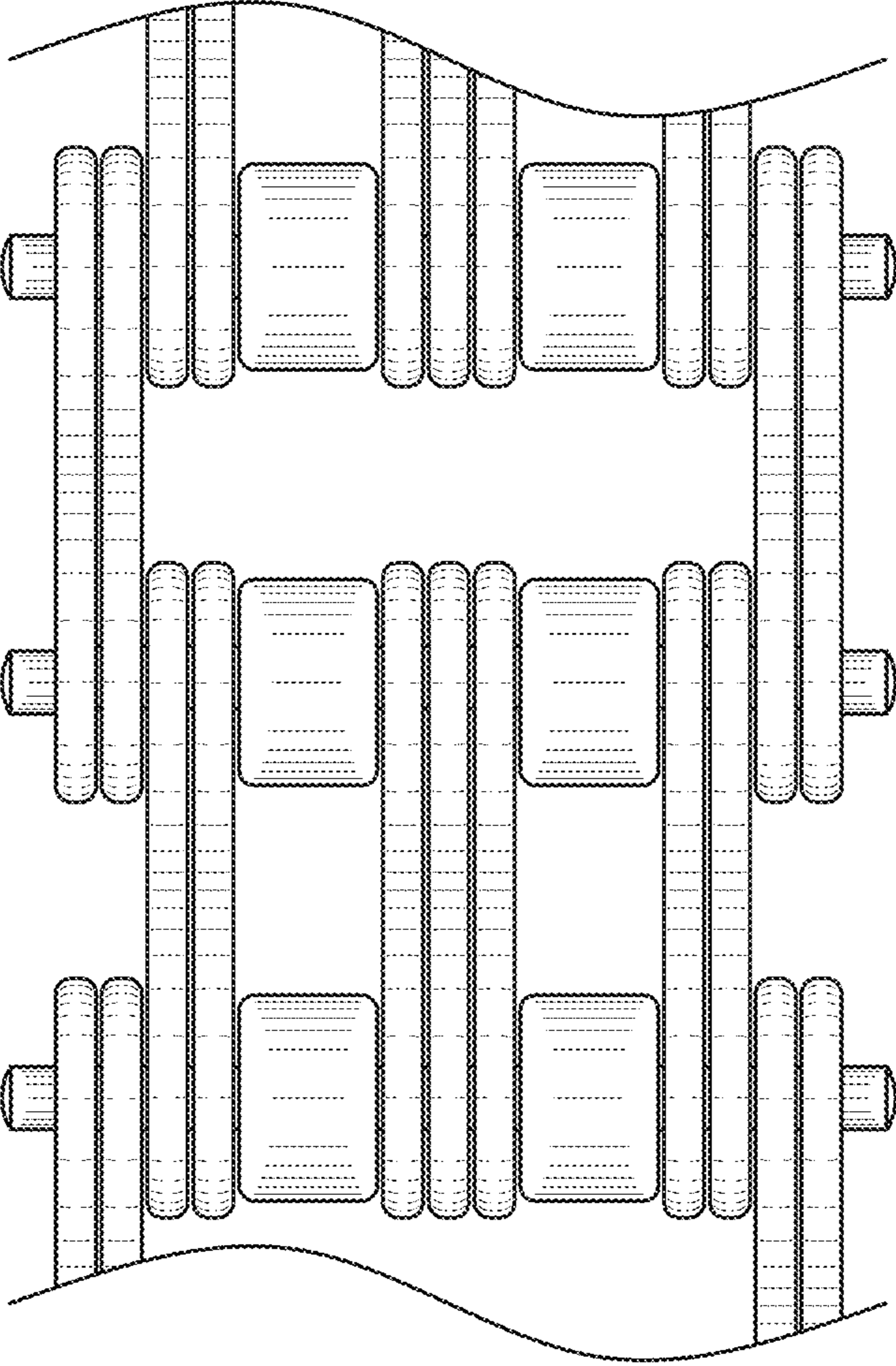


FIG. 4