



US00D752460S

(12) **United States Design Patent**  
**Gnauck**

(10) **Patent No.:** **US D752,460 S**  
(45) **Date of Patent:** **\*\* Mar. 29, 2016**

- (54) **DIAGNOSTIC TESTING APPARATUS**
- (71) Applicant: **Hella Gutmann Solutions GmbH**,  
Ihringen (DE)
- (72) Inventor: **Alexander Gnauck**, Stuttgart (DE)
- (73) Assignee: **Hella Gutmann Solutions GmbH**,  
Ihringen (DE)
- (\*\*) Term: **14 Years**
- (21) Appl. No.: **29/514,781**
- (22) Filed: **Jan. 16, 2015**
- (30) **Foreign Application Priority Data**

Jul. 16, 2014 (EM) ..... 826877301

- (51) **LOC (10) Cl.** ..... **10-04**
- (52) **U.S. Cl.**  
USPC ..... **D10/78**
- (58) **Field of Classification Search**  
USPC ..... D10/78  
CPC ..... G06Q 30/0639; G07C 5/008; G07C  
2205/02; G07C 5/0825; G07C 5/08; G01R  
31/007; G01R 31/3648; G01R 31/3963;  
G01R 31/3627; G05B 23/0267; G05B  
22/32232; G05B 2219/37095  
See application file for complete search history.

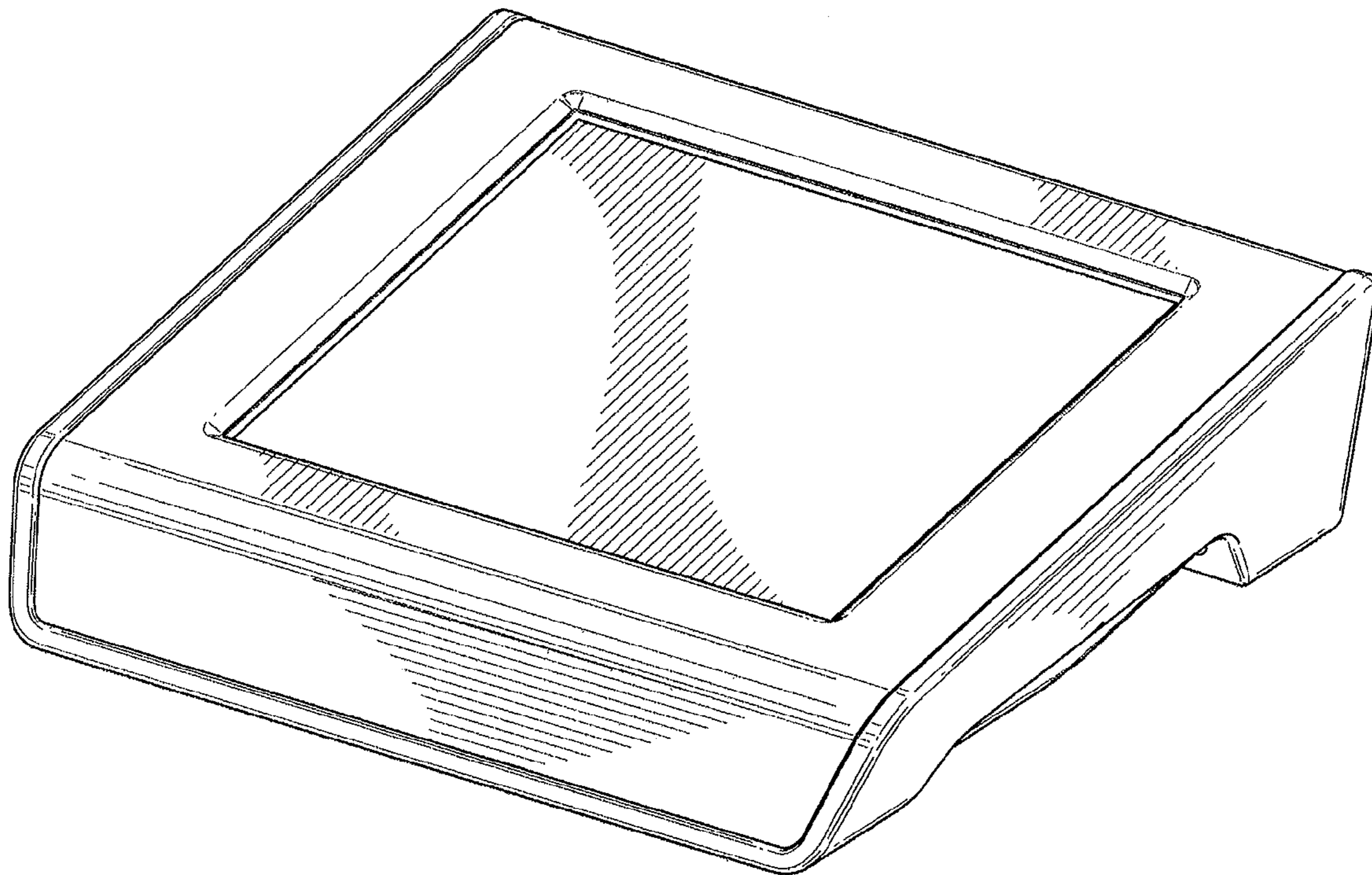
- (56) **References Cited**  
U.S. PATENT DOCUMENTS  
D626,550 S \* 11/2010 Julien ..... D14/341  
D633,135 S \* 2/2011 Inada ..... D14/426  
D633,136 S \* 2/2011 Inada ..... D14/426  
9,153,078 B2 \* 10/2015 Fish ..... G06F 3/04886  
\* cited by examiner  
*Primary Examiner* — Antoine D Davis  
(74) *Attorney, Agent, or Firm* — Volpe and Koenig, P.C.

(57) **CLAIM**  
The ornamental design for a diagnostic testing apparatus, as shown and described.

**DESCRIPTION**

FIG. 1 is a top, front, right perspective view of a diagnostic testing apparatus in accordance with my design; FIG. 2 is a front elevational view thereof; FIG. 3 is a rear elevational view thereof; FIG. 4 is a top plan view thereof; FIG. 5 is a bottom plan view thereof; FIG. 6 is a right side elevational view thereof; and, FIG. 7 is a left side elevational view thereof. The broken lines shown form no part of the claimed design.

**1 Claim, 5 Drawing Sheets**



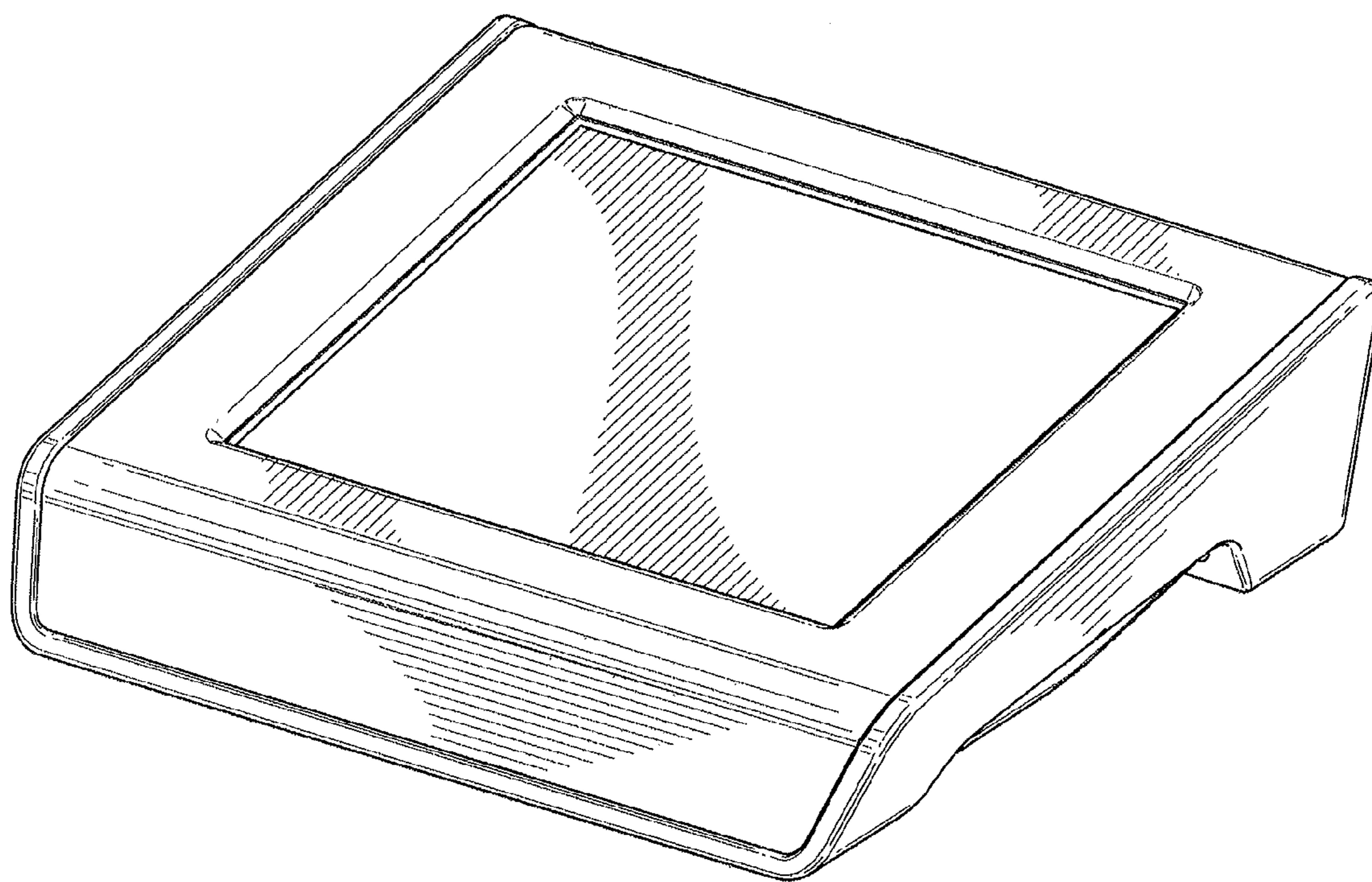


FIG. 1

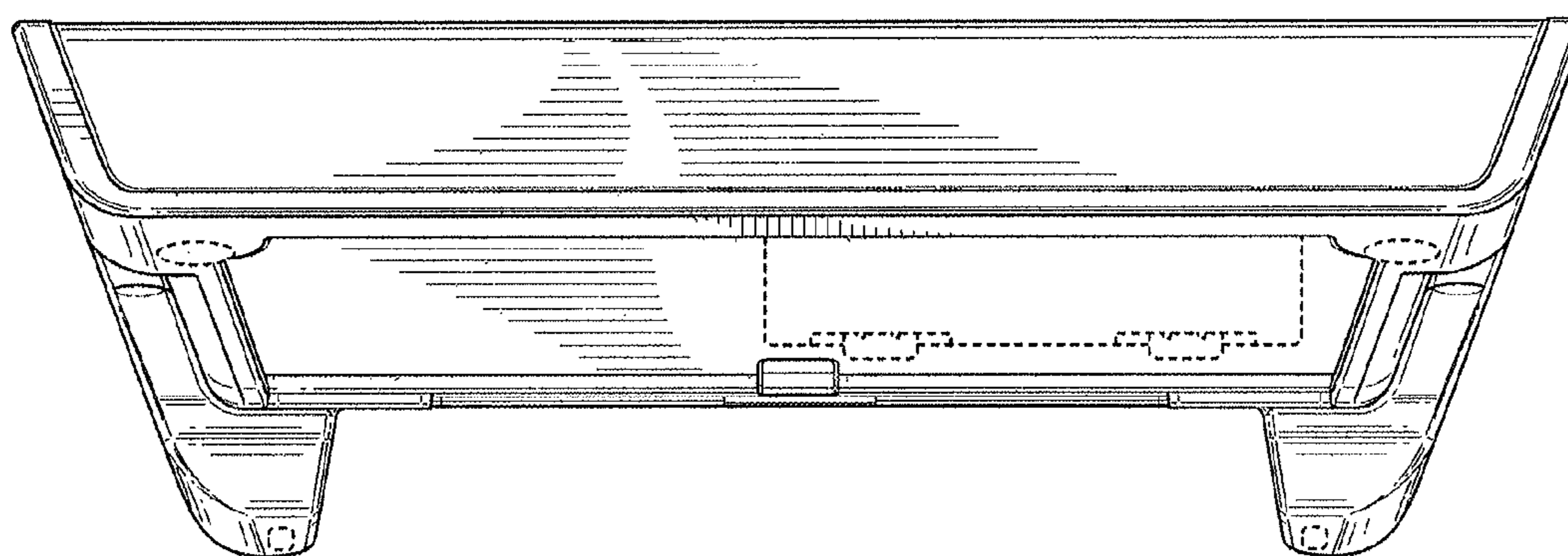


FIG. 2

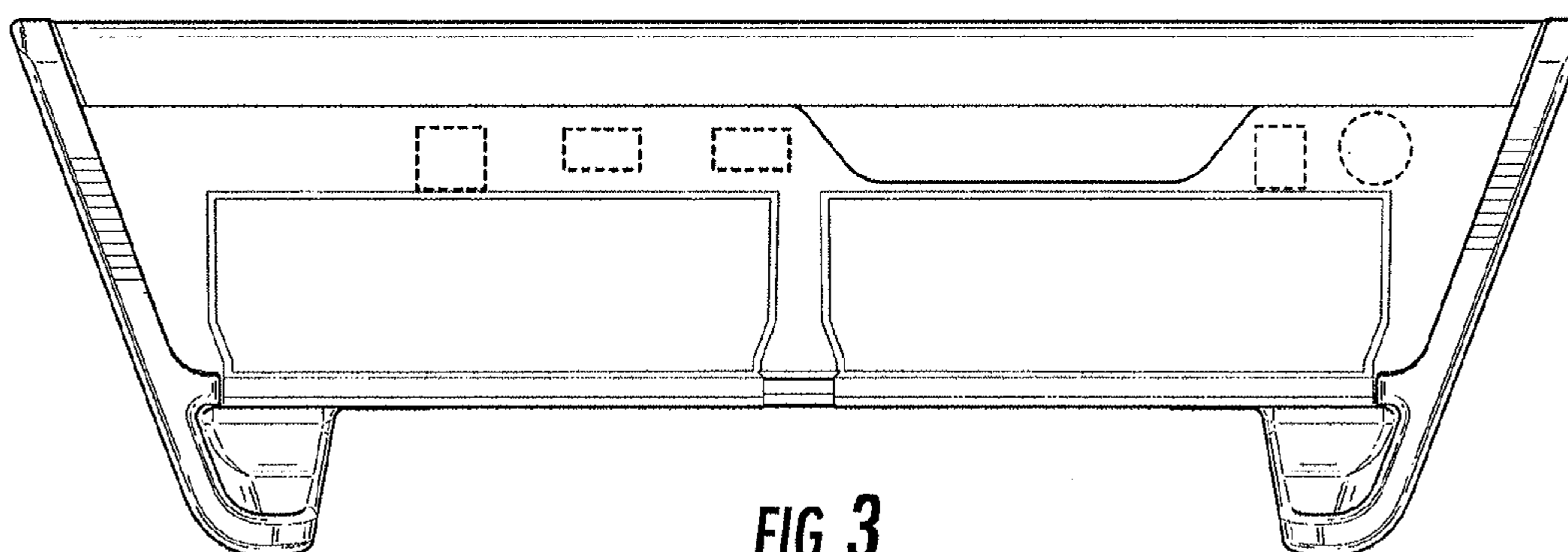


FIG. 3

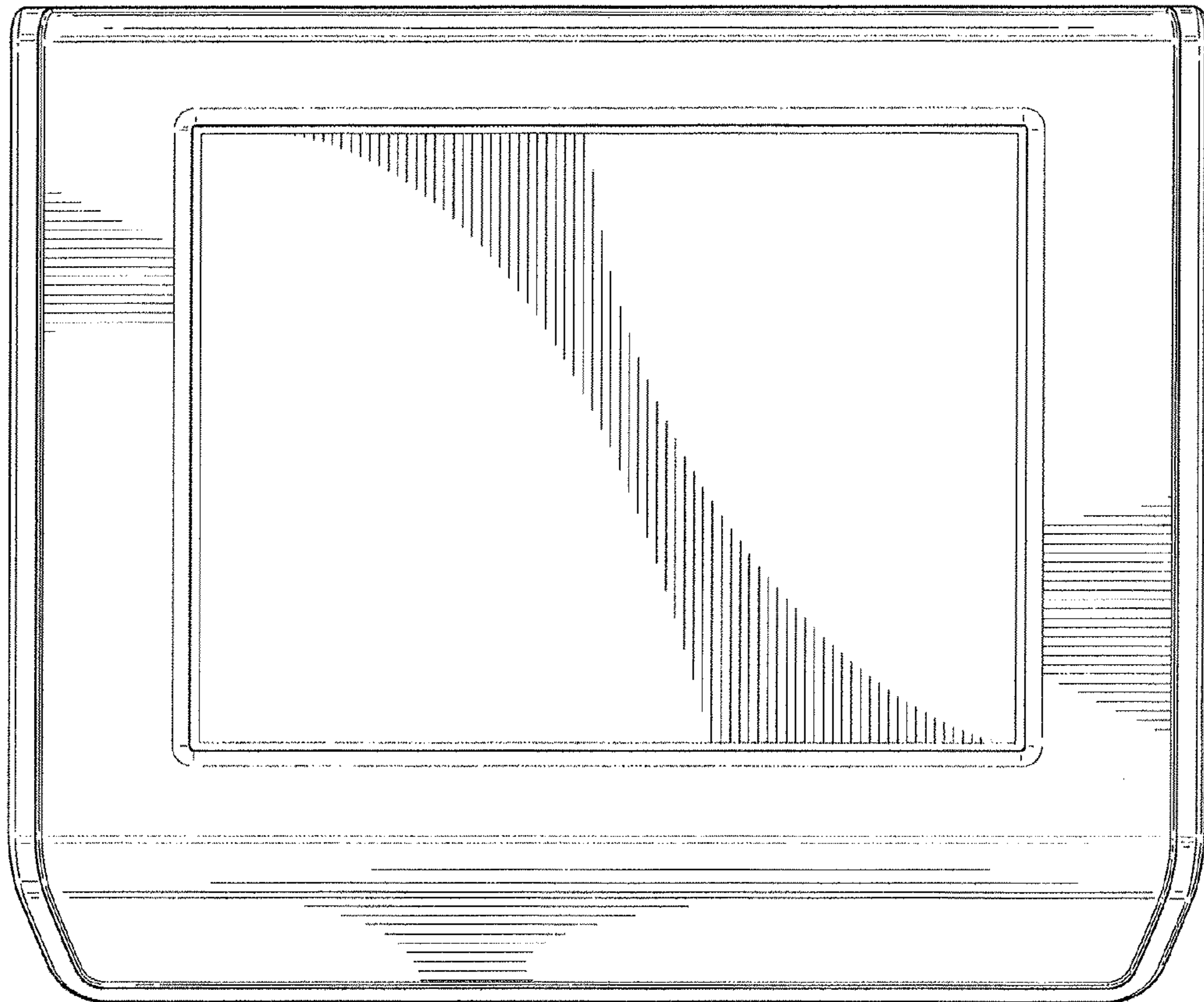


FIG. 4

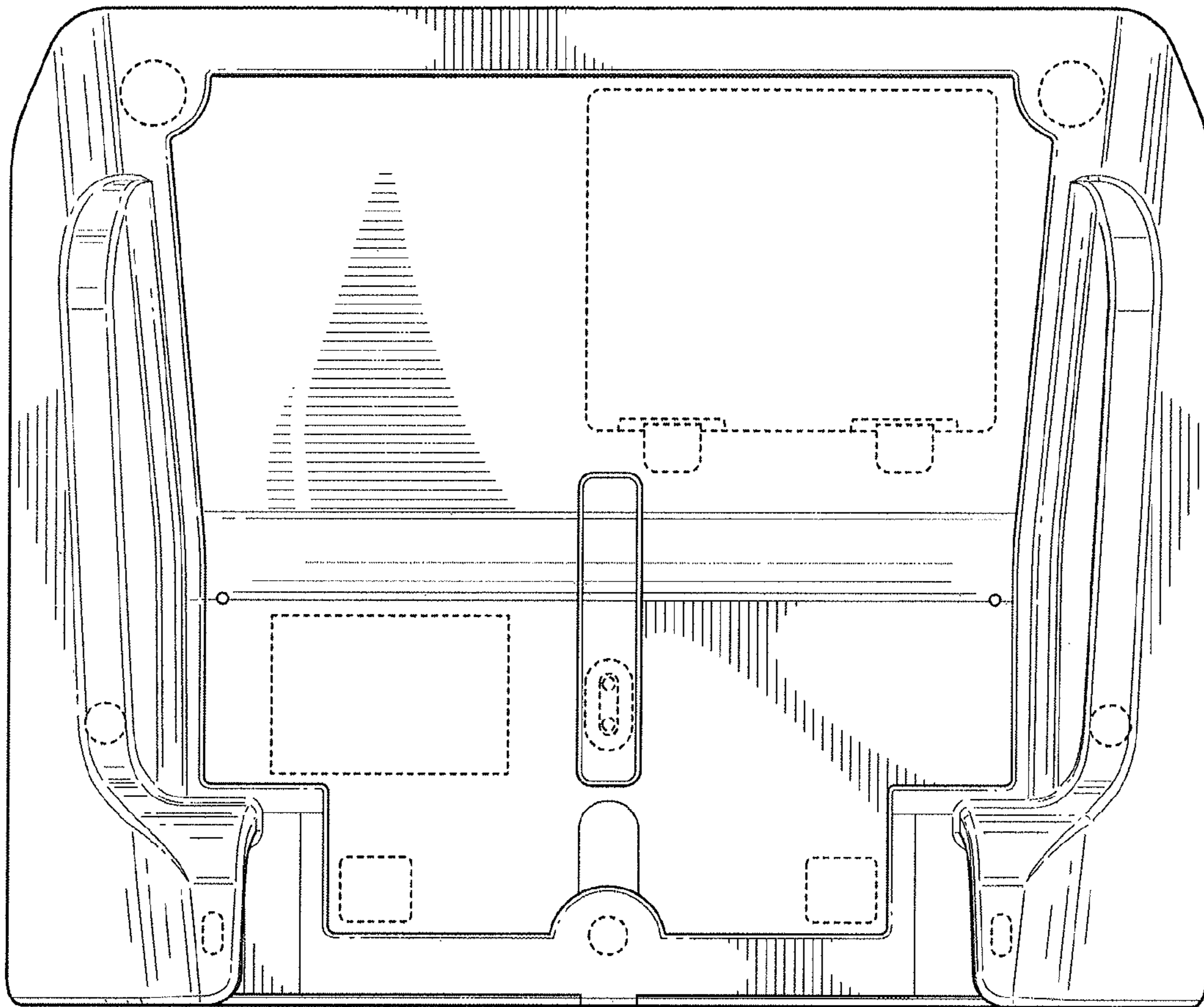


FIG. 5

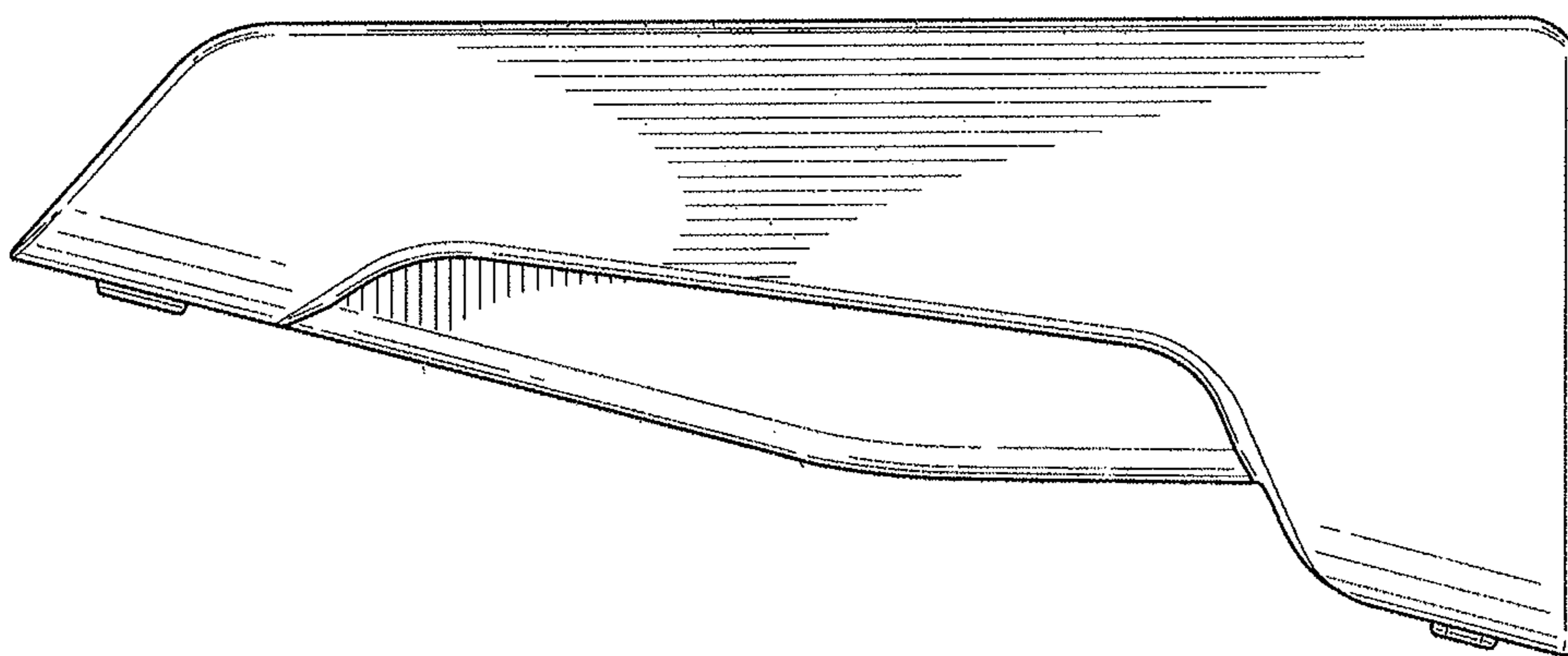


FIG. 6

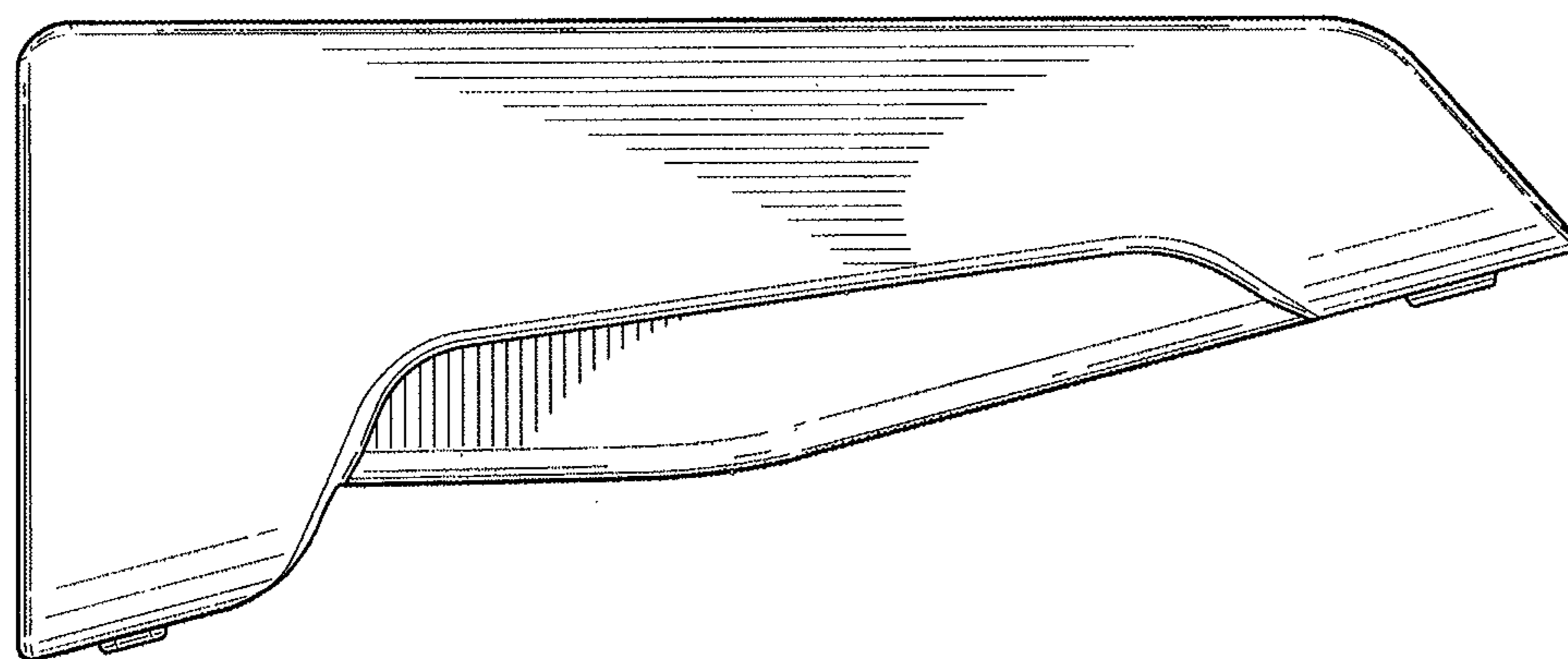


FIG. 7