



US00D752457S

(12) **United States Design Patent**  
**So**

(10) **Patent No.:** **US D752,457 S**  
(45) **Date of Patent:** **\*\* Mar. 29, 2016**

(54) **PET ACTIVITY MONITOR**

(71) Applicant: **Dogtra co., Ltd.**, Incheon (KR)

(72) Inventor: **Min Jae So**, Seoul (KR)

(73) Assignee: **Dogtra Co., Ltd.**, Incheon (KR)

(\*\*) Term: **14 Years**

(21) Appl. No.: **29/502,261**

(22) Filed: **Sep. 12, 2014**

(30) **Foreign Application Priority Data**

Apr. 9, 2014 (KR) ..... 30-2014-0017886

(51) **LOC (10) Cl.** ..... **10-04**

(52) **U.S. Cl.**  
USPC ..... **D10/70**

(58) **Field of Classification Search**  
USPC ..... D10/70  
CPC . A01K 11/006; A01K 11/007; A01K 11/008;  
A01K 15/00; A01K 15/02; A01K 15/021;  
A01K 15/022; A01K 15/023; A01K 15/04;  
A01K 27/009; A01K 29/005; A01K 29/009  
See application file for complete search history.

(56) **References Cited**

**U.S. PATENT DOCUMENTS**

D575,649 S *	8/2008	Scalisi et al. ....	D10/65
D638,317 S *	5/2011	Nguyen et al. ....	D10/65
D656,424 S *	3/2012	Bentley ..... ..	D10/70
D687,328 S *	8/2013	Clymer et al. ....	D10/70
D693,249 S *	11/2013	Anderssen et al. ....	D10/65
D700,080 S *	2/2014	Broadbent et al. ....	D10/65
D715,667 S *	10/2014	Shigeno et al. ....	D10/98
D729,655 S *	5/2015	Bauer et al. .... ..	D10/70
D730,223 S *	5/2015	Behar ..... ..	D10/103
D730,224 S *	5/2015	Behar ..... ..	D10/103

D733,596 S *	7/2015	Goodner et al. ....	D10/70
2006/0087440 A1 *	4/2006	Klein ..... ..	340/573.3
2007/0125306 A1 *	6/2007	Beecher ..... ..	119/51.02
2007/0222624 A1 *	9/2007	Eicken et al. ....	340/573.3
2010/0212600 A1 *	8/2010	Knies ..... ..	119/719
2012/0216372 A1 *	8/2012	Leggett et al. ....	24/3.13
2013/0169441 A1 *	7/2013	Wilson ..... ..	340/573.3

**OTHER PUBLICATIONS**

NSSF Shot Show, Jan. 14-17, 2014, p. 87, National Shooting Sports Foundation, Las Vegas, Nevada, U.S.A.

\* cited by examiner

*Primary Examiner* — Antoine D Davis

(74) *Attorney, Agent, or Firm* — IP & T Group LLP

(57) **CLAIM**

The ornamental design for a pet activity monitor, as shown and described.

**DESCRIPTION**

FIG. 1 is a perspective view of a pet activity monitor showing the new design;

FIG. 2 is a front view of the pet activity monitor of FIG. 1;

FIG. 3 is a back view of the pet activity monitor of FIG. 1;

FIG. 4 is a left view of the pet activity monitor of FIG. 1;

FIG. 5 is a right view of the pet activity monitor of FIG. 1;

FIG. 6 is a top view of the pet activity monitor of FIG. 1;

FIG. 7 is a bottom view of the pet activity monitor of FIG. 1;

and,

FIG. 8 is a side elevational view of the pet activity monitor of FIG. 1, which is connected with a collar and worn on a pet's neck.

The broken line showing of the collar in FIG. 8 is for environmental purposes only and forms no part of the claimed design. Various colors may be displayed on an upper display according to exercise time of the pet.

**1 Claim, 8 Drawing Sheets**

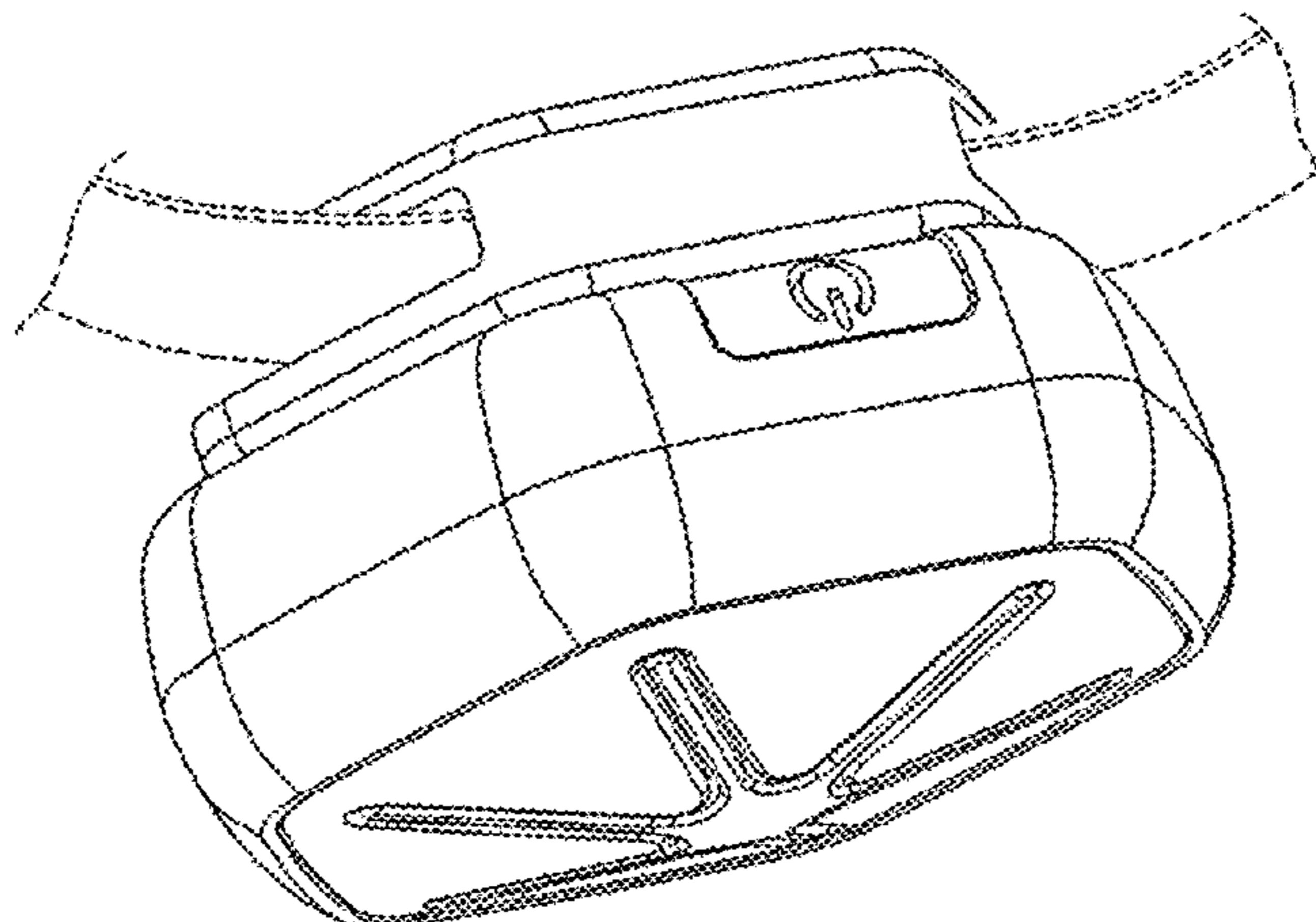


FIG. 1

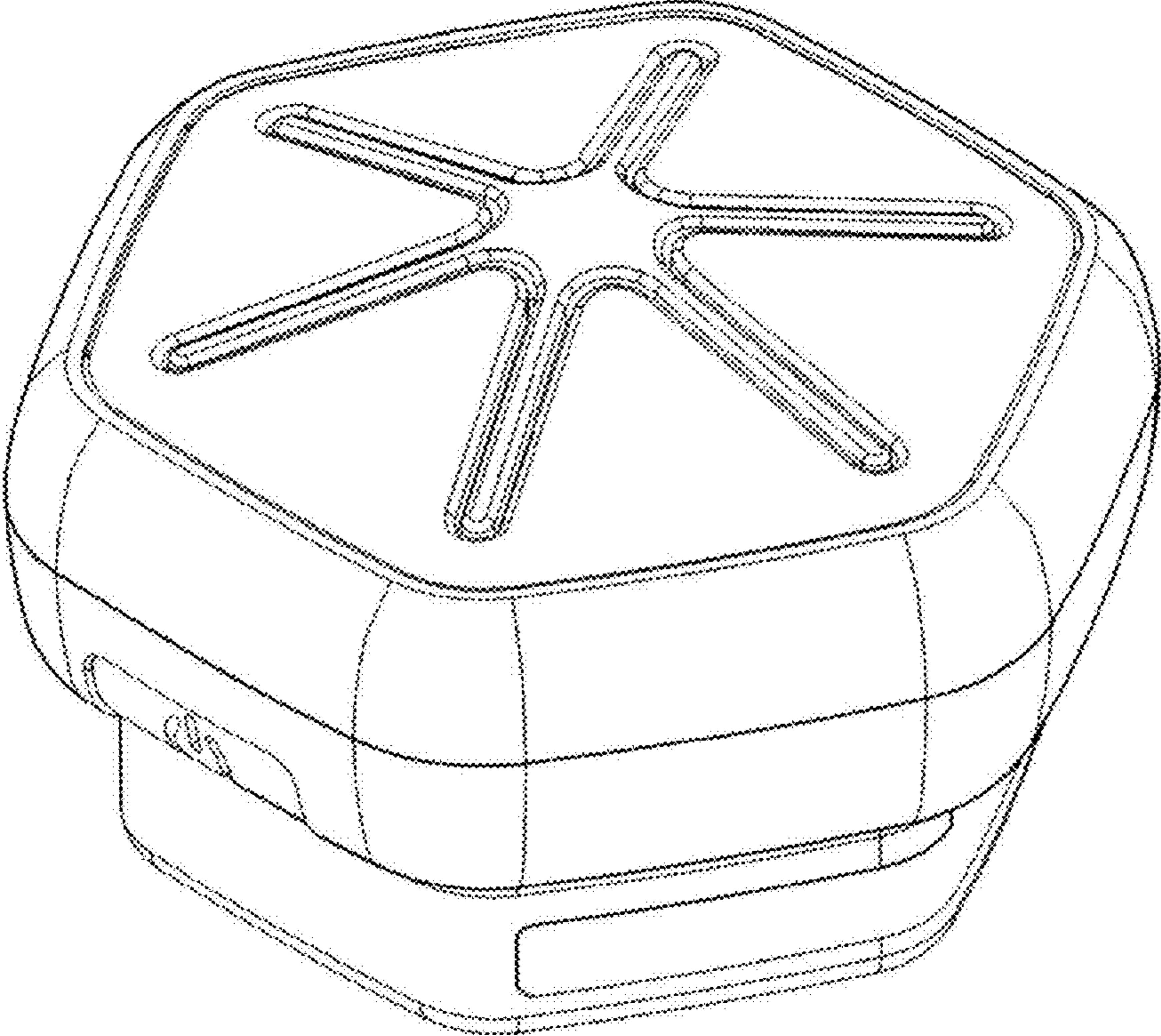


FIG. 2

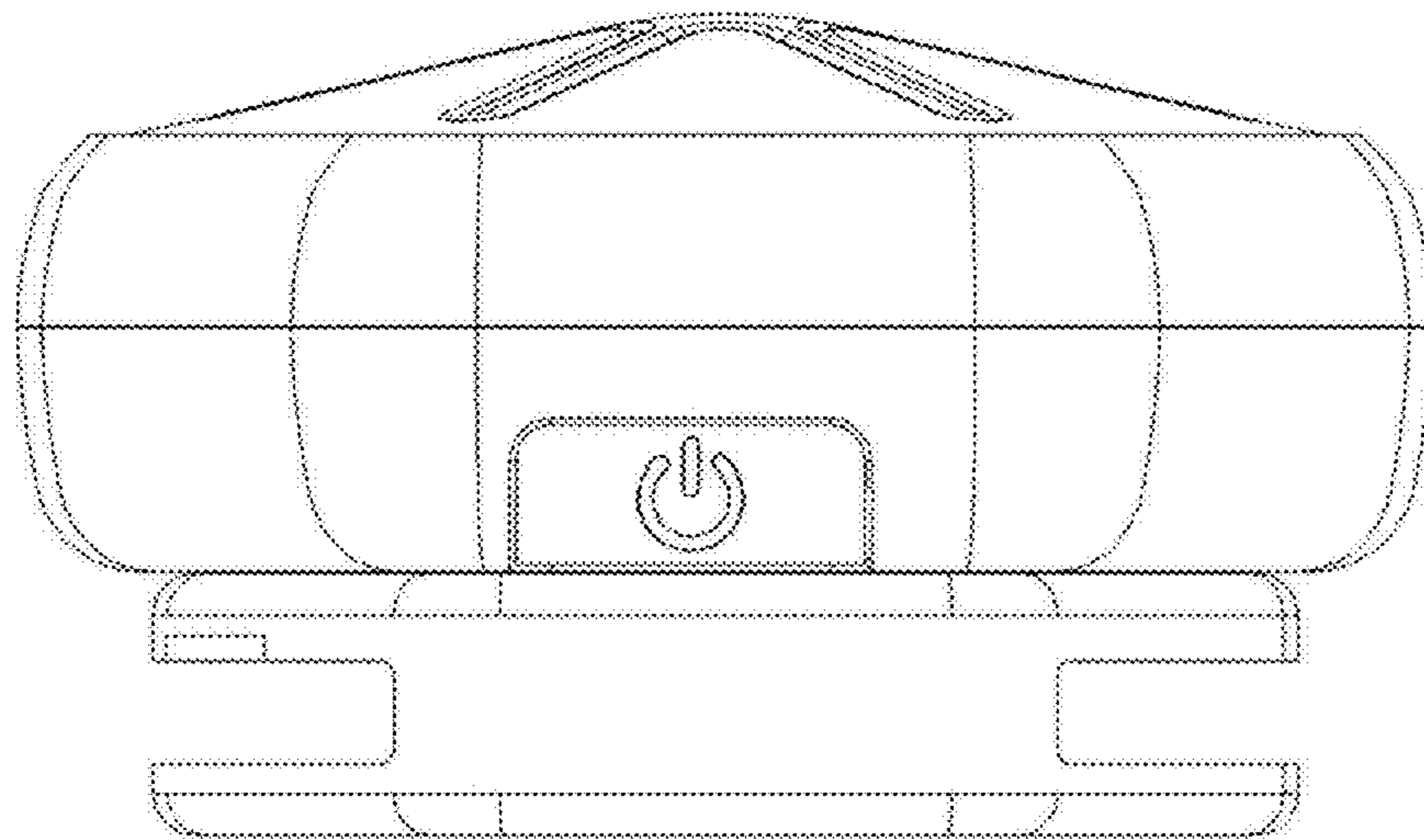


FIG. 3

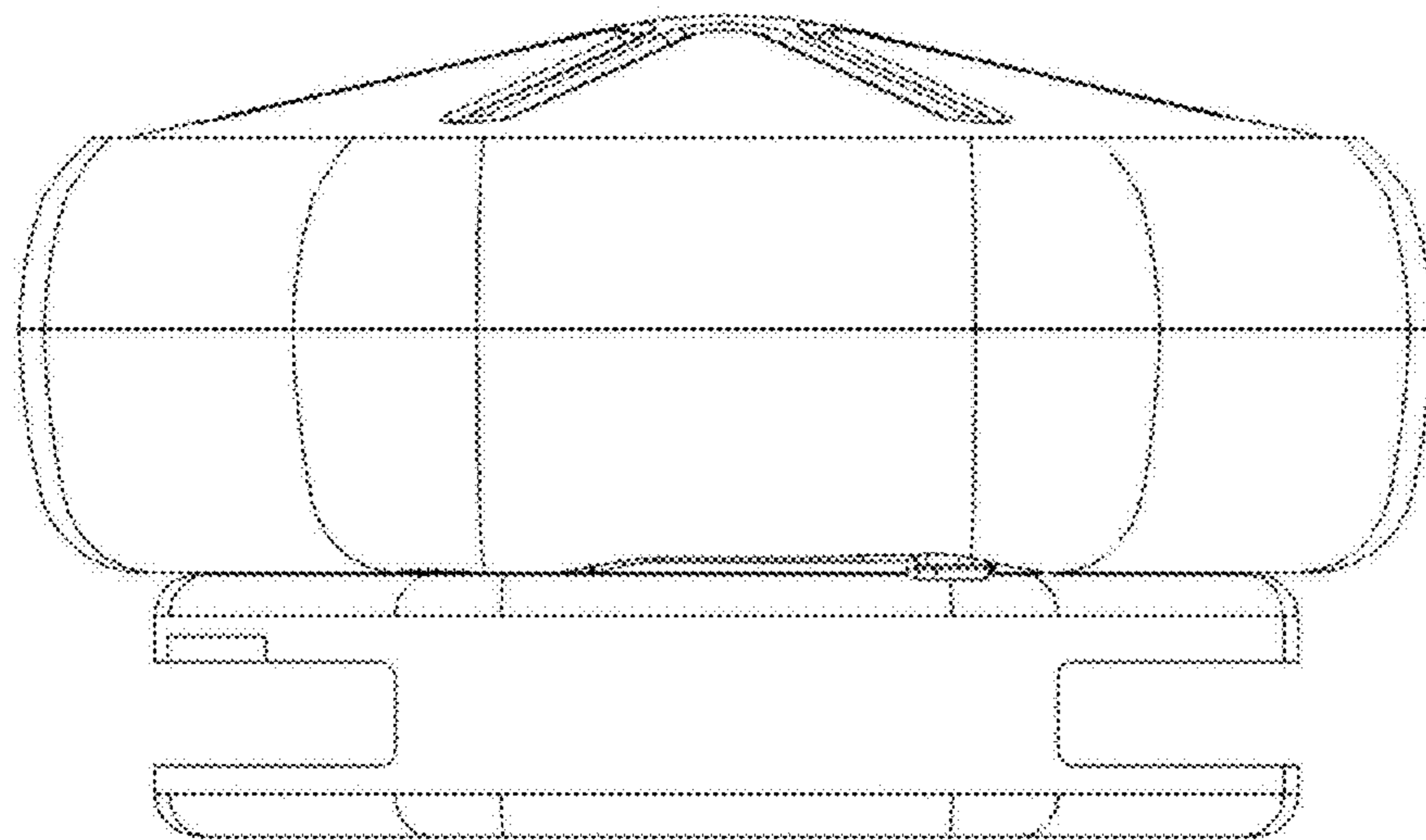


FIG. 4

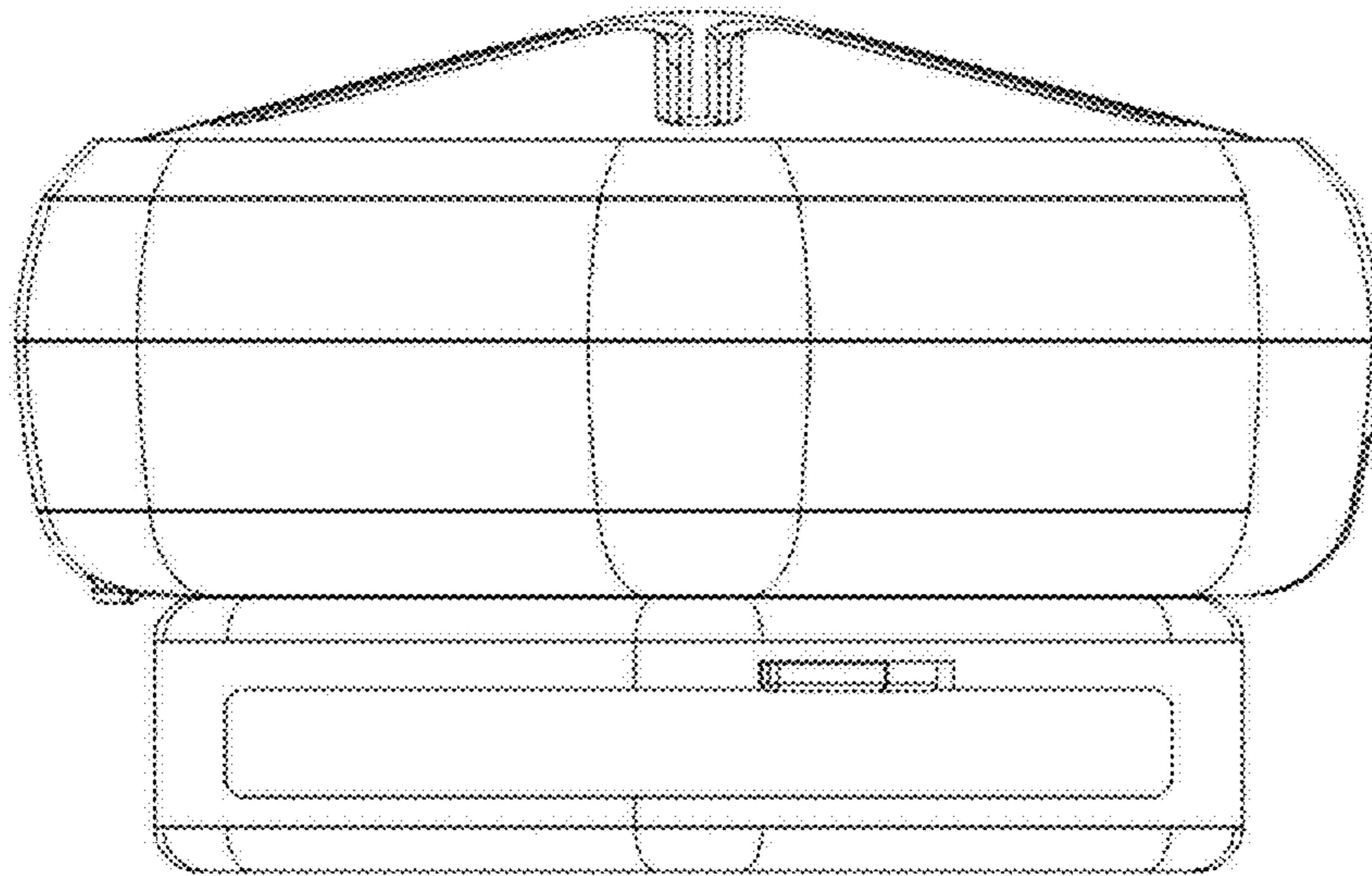


FIG. 5

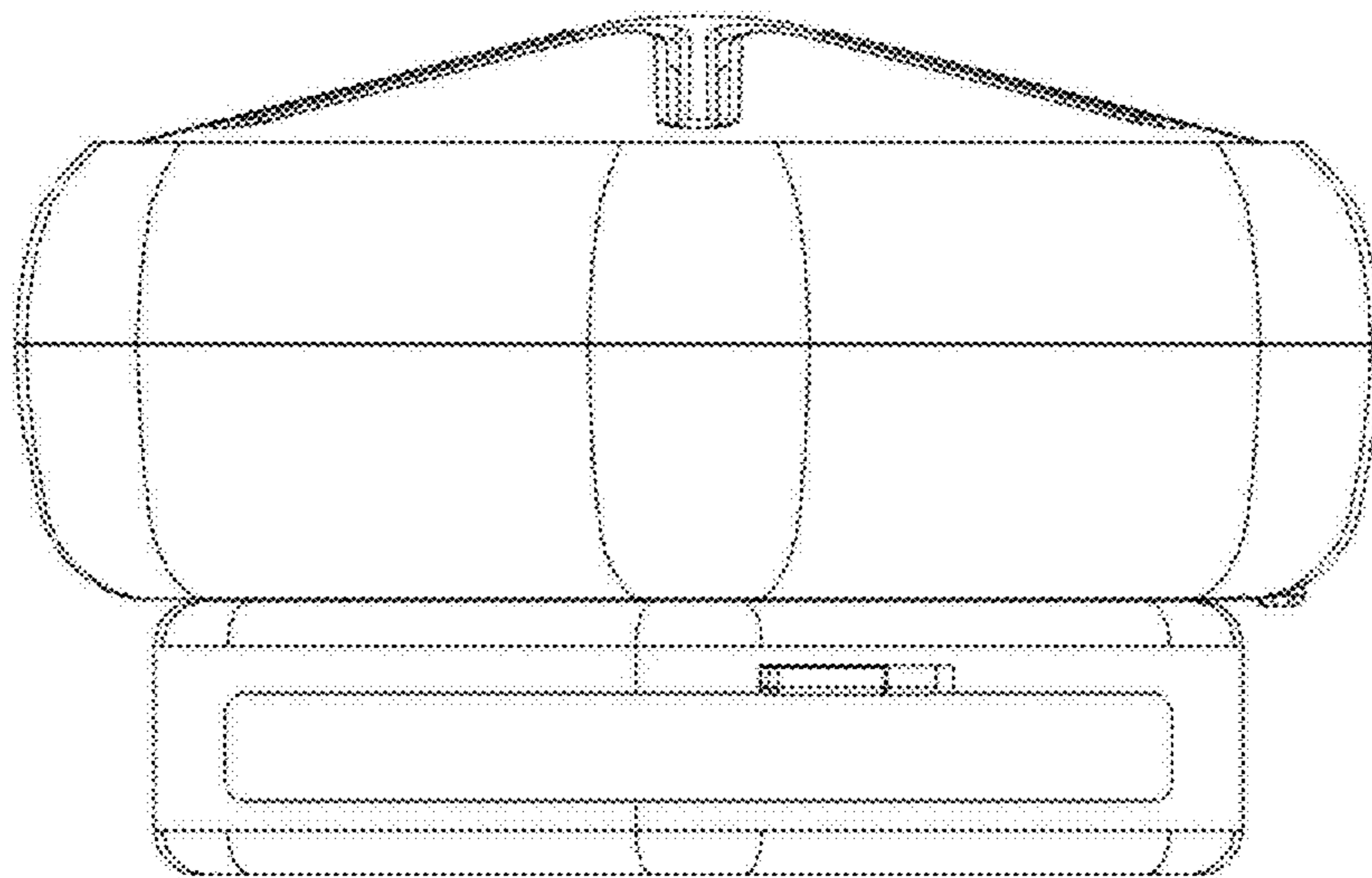


FIG. 6

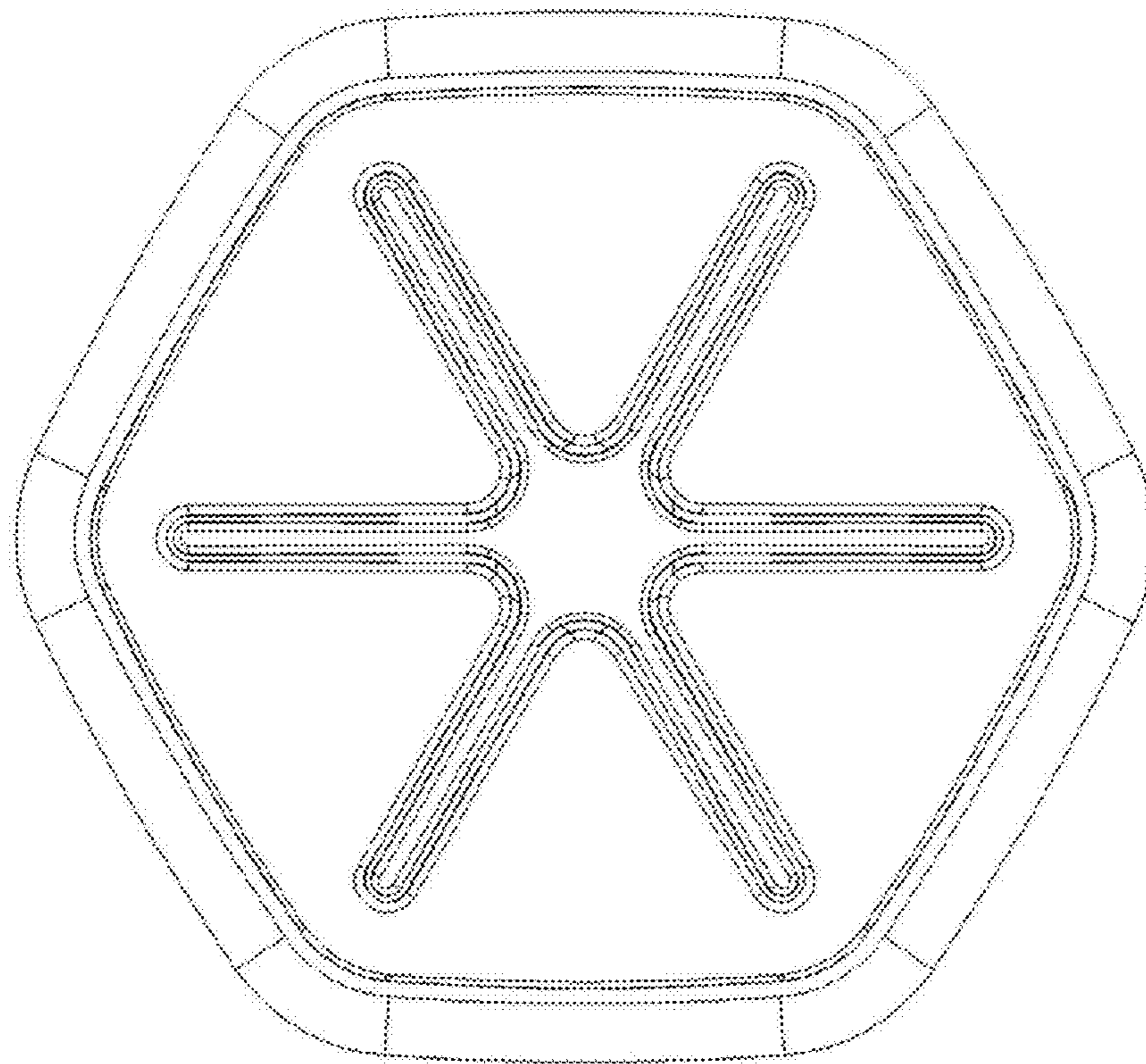


FIG. 7

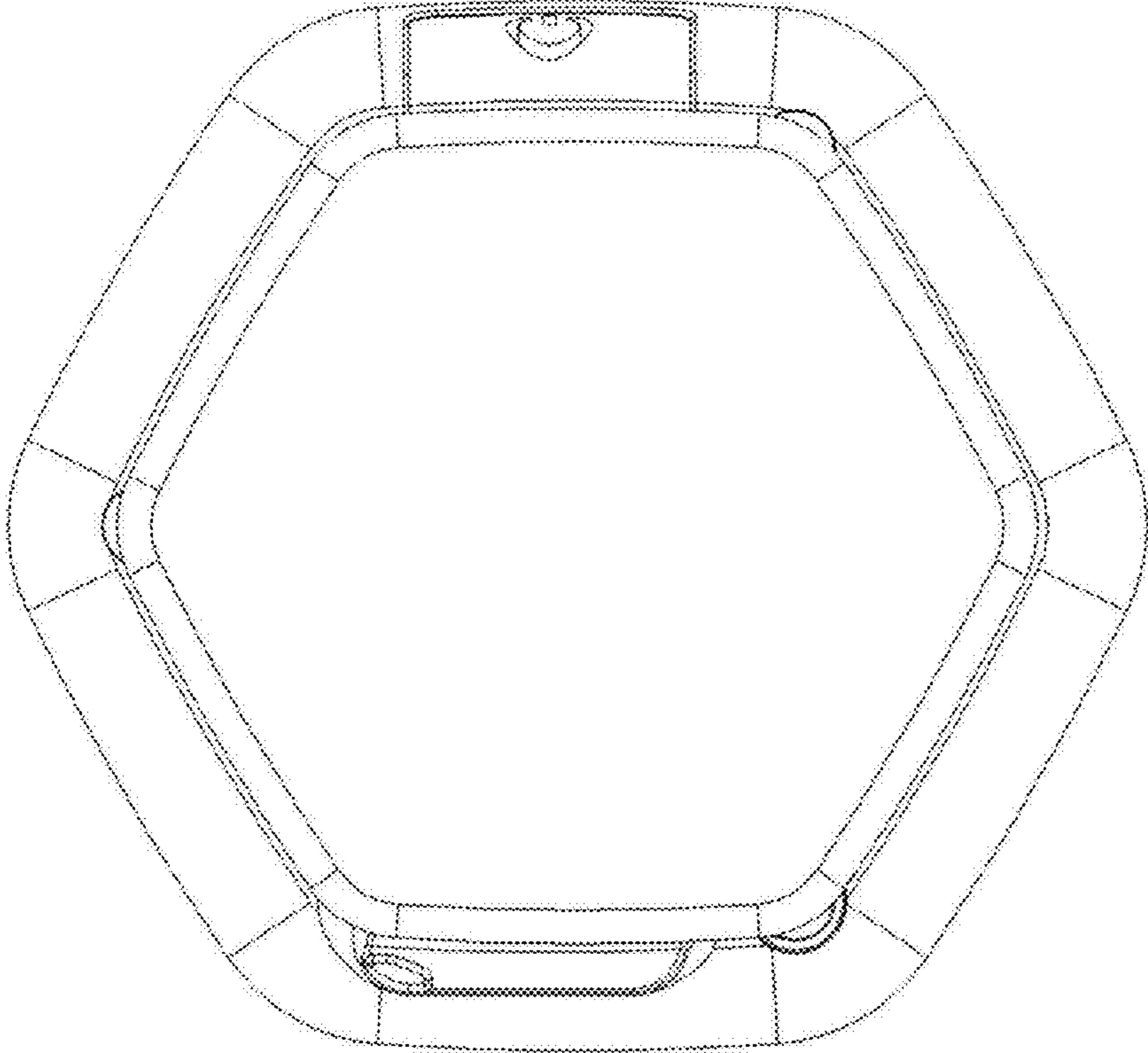




FIG. 8

