



US00D752455S

(12) **United States Design Patent**
Davenport

(10) **Patent No.:** **US D752,455 S**
(45) **Date of Patent:** **** Mar. 29, 2016**

(54) **PROBE JACK HANDLE**
(71) Applicant: **Breville Pty Limited**, Botany, NSW (AU)
(72) Inventor: **David Davenport**, Lane Cove (AU)
(73) Assignee: **Breville Pty Limited**, Alexandria, New South Wales (AU)

7,318,673 B2 * 1/2008 Biscotti A23L 3/36
374/110
D571,232 S * 6/2008 Lawler D10/57
D584,970 S * 1/2009 Eide D10/57
D586,671 S * 2/2009 Eide D10/57
7,605,349 B2 * 10/2009 Gaynor A47J 27/004
165/47
D664,052 S * 7/2012 High D10/57
8,920,025 B2 * 12/2014 Andreatti G01K 1/028
116/216

(**) Term: **14 Years**
(21) Appl. No.: **29/506,913**
(22) Filed: **Oct. 22, 2014**

* cited by examiner
Primary Examiner — Antoine D Davis
(74) *Attorney, Agent, or Firm* — Molins and Co. Pty. Ltd.

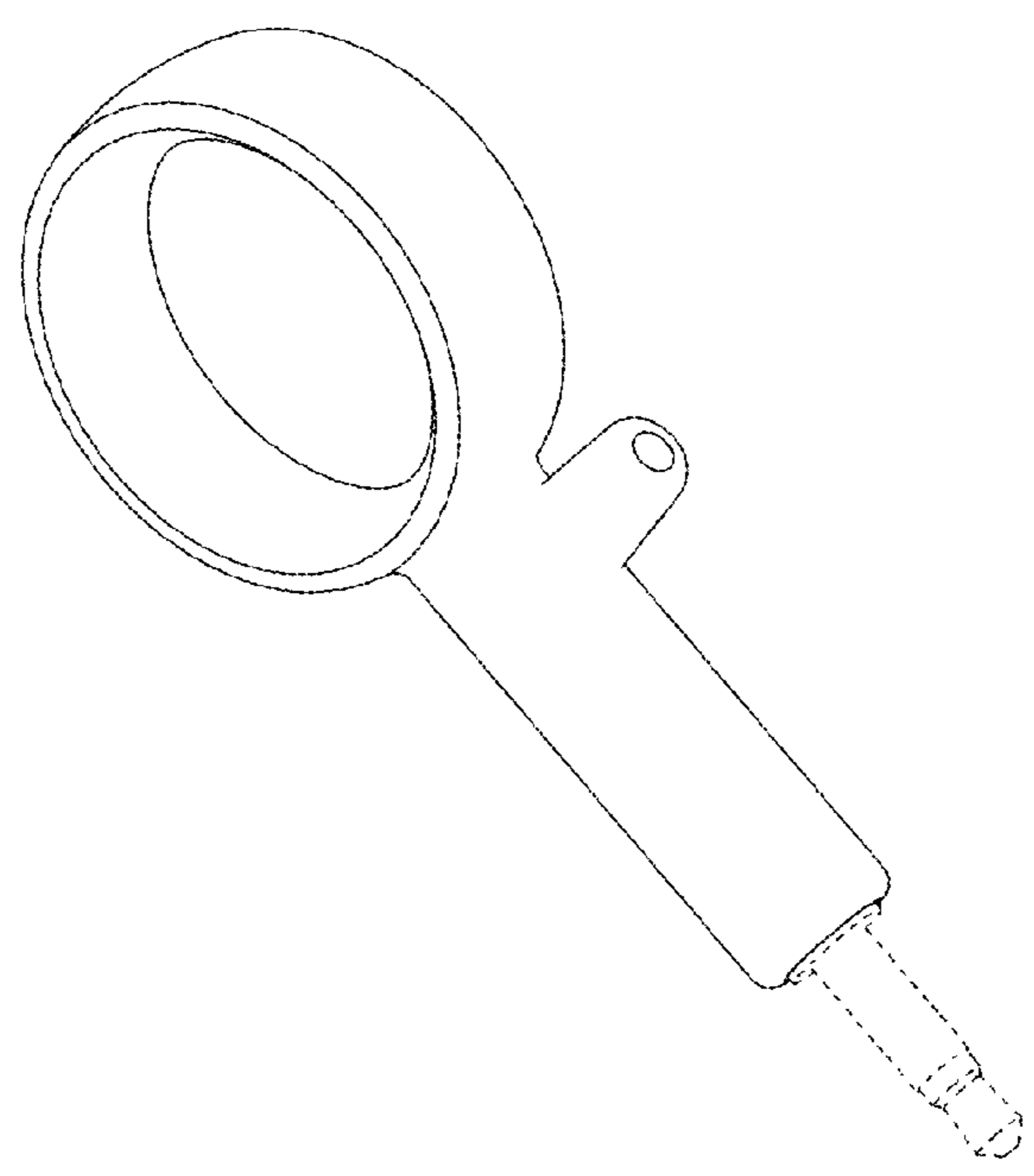
(30) **Foreign Application Priority Data**
Apr. 22, 2014 (AU) 201411923
(51) **LOC (10) Cl.** **10-04**
(52) **U.S. Cl.**
USPC **D10/60**
(58) **Field of Classification Search**
USPC D10/46
See application file for complete search history.

(57) **CLAIM**
The ornamental design for a probe jack handle, as shown and described.

(56) **References Cited**
U.S. PATENT DOCUMENTS
D356,045 S * 3/1995 Payne D10/49
6,568,848 B1 * 5/2003 Chapman G01K 1/024
340/870.17

DESCRIPTION
FIG. 1 is a front perspective view of a probe jack handle showing my new design;
FIG. 2 is a front view thereof;
FIG. 3 is a right side view thereof;
FIG. 4 is a bottom plan view thereof; and,
FIG. 5 is a top plan view thereof.
The broken lines shown in the drawings are for illustrative purposes only and form no part of the claimed design.

1 Claim, 5 Drawing Sheets



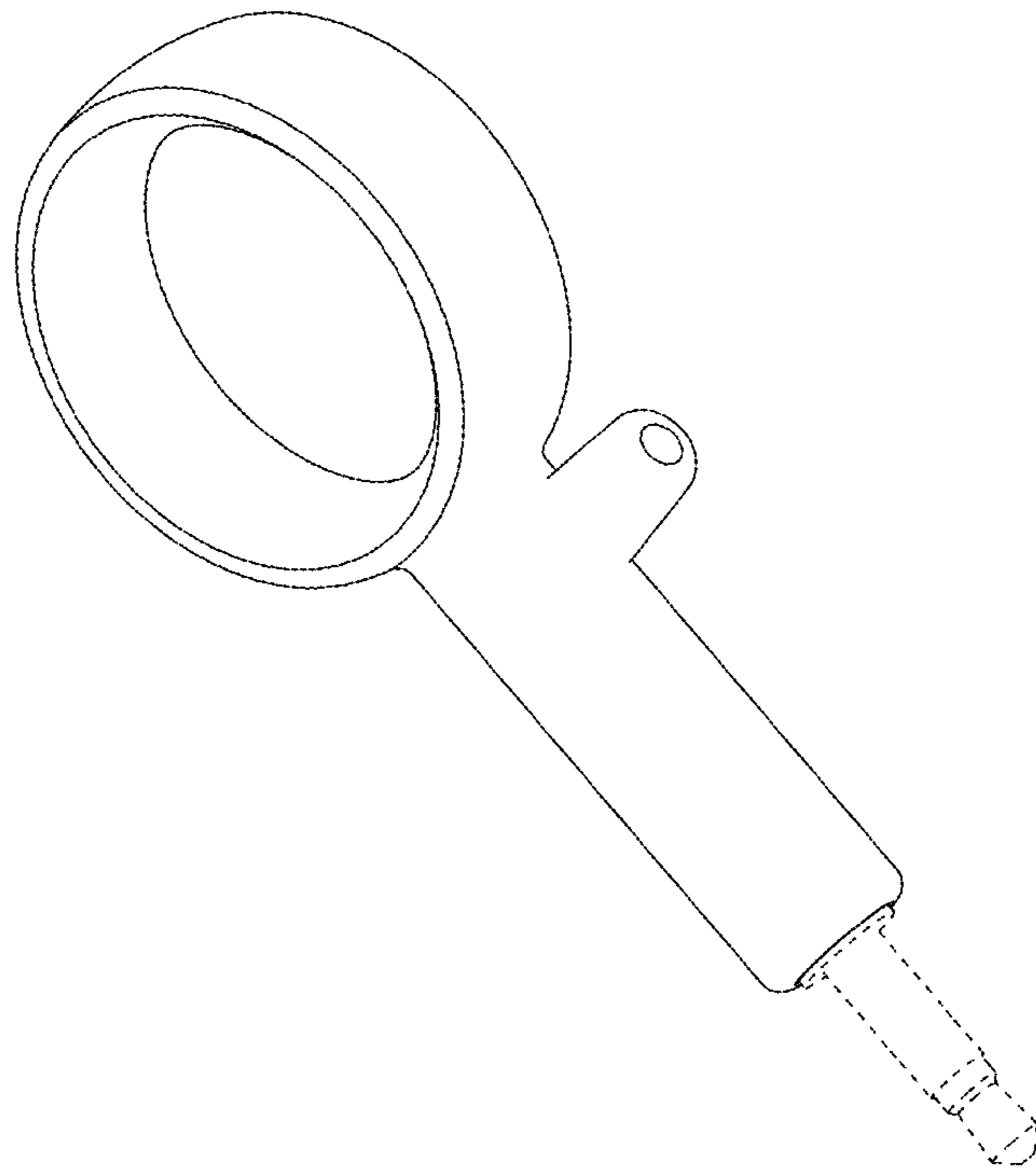


Figure 1

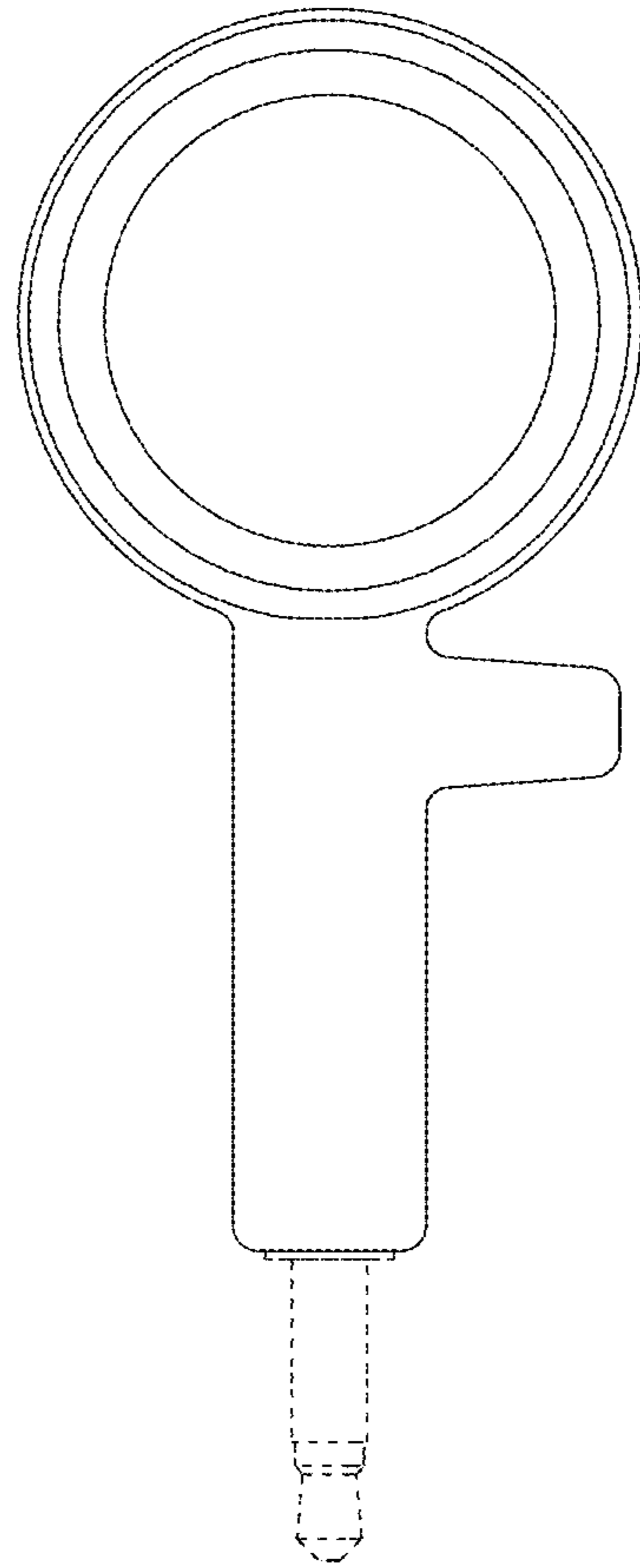


Figure 2

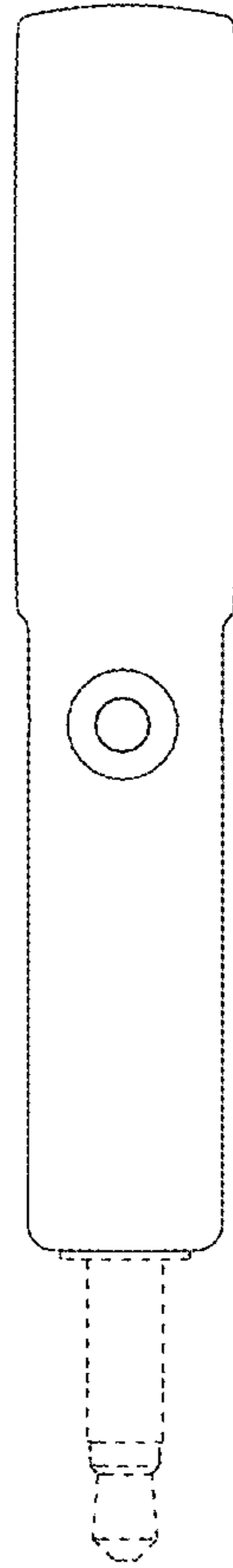


Figure 3

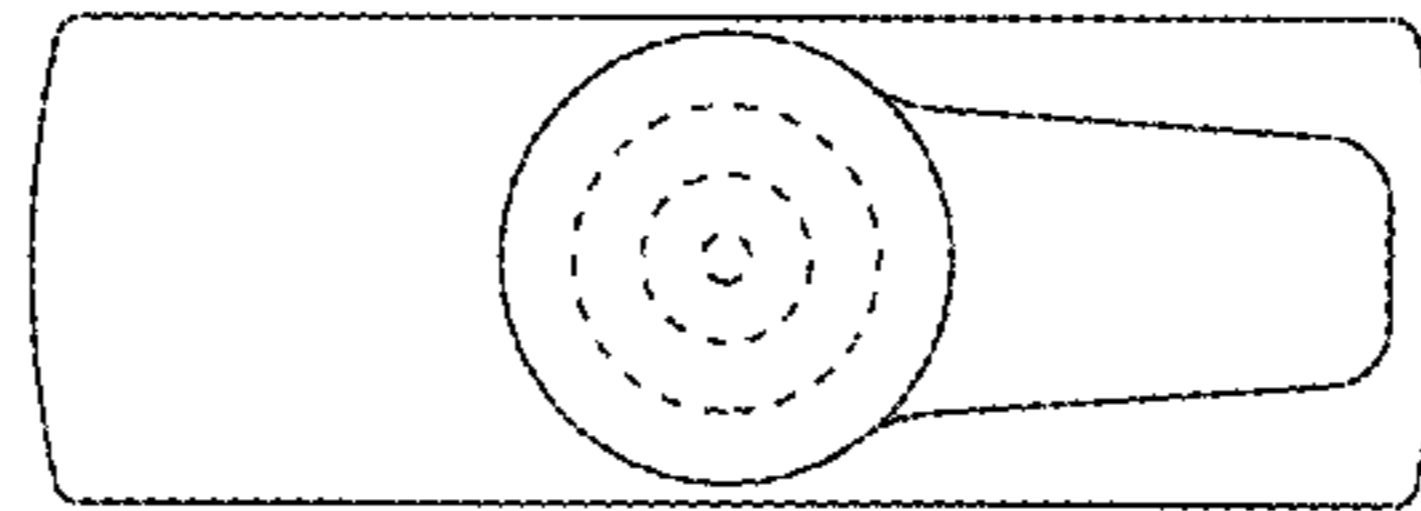


Figure 4

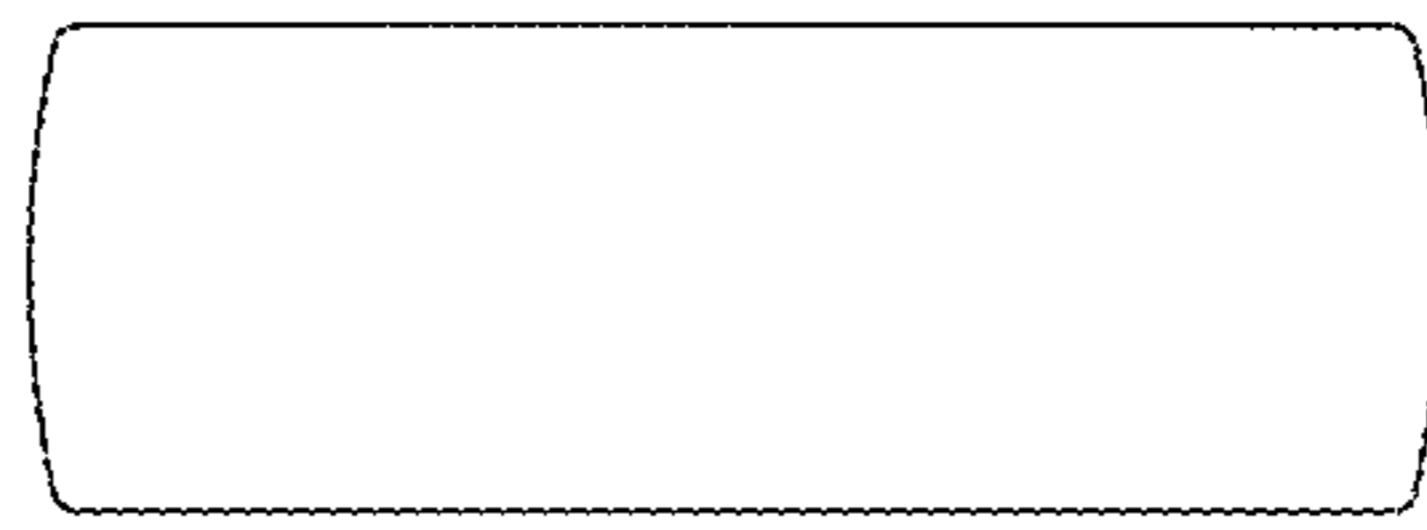


Figure 5