

US00D752453S

(12) **United States Design Patent**
 Holding et al.

(10) **Patent No.:** **US D752,453 S**
(45) **Date of Patent:** **** Mar. 29, 2016**

- (54) **NESTED CUPS AND SPOONS**
- (71) Applicant: **JOSEPH JOSEPH LTD**, London (GB)
- (72) Inventors: **Bill Holding**, London (GB); **Ben Cox**, London (GB)
- (73) Assignee: **Joseph Joseph Ltd.**, London (GB)
- (**) Term: **14 Years**
- (21) Appl. No.: **29/500,053**
- (22) Filed: **Aug. 21, 2014**

D440,164 S *	4/2001	Kerr	D10/46.3
D443,836 S *	6/2001	Wright	D10/46.3
D450,605 S *	11/2001	Wright	D10/46.3
D582,297 S *	12/2008	Vendl	D10/46.3
D582,298 S *	12/2008	Vendl	D10/46.3
D582,798 S *	12/2008	Mantilla	D10/46.3
D584,968 S *	1/2009	Mantilla	D10/46.3
D621,729 S *	8/2010	Blust	D10/46.3
D624,836 S *	10/2010	Blust	D10/46.3
D686,037 S *	7/2013	Holding	D10/46.3
D692,324 S *	10/2013	Wong	D10/46.3
D730,752 S *	6/2015	Clark	D10/46.3
D735,524 S *	8/2015	Holding	D7/392.1

(Continued)

(30) **Foreign Application Priority Data**

Feb. 26, 2014 (EM) 002413013-0003

(51) **LOC (10) Cl.** **10-04**

(52) **U.S. Cl.**
USPC **D10/46.3**

(58) **Field of Classification Search**
 USPC D10/46.2, 46.3, 46, 52, 60, 66, 101,
 D10/103; D7/589, 300, 302, 303, 312, 316,
 D7/317, 387, 397, 510, 665; D9/440, 447,
 D9/452-454; D24/197, 224; 220/665;
 222/566, 562, 158, 205; 141/381;
 73/426-429; 422/908, 910, 912, 527,
 422/556, 547; 215/17, 18, 21, 25, 45, 214,
 215/277
 CPC G01F 19/002; G01F 19/00; B65D 21/00;
 A47G 19/00; A61J 7/10
 See application file for complete search history.

(56) **References Cited**

U.S. PATENT DOCUMENTS

3,526,138 A *	9/1970	Swett	G01F 19/002 206/514
4,043,203 A *	8/1977	Montesi	G01F 19/002 30/324
D247,412 S *	3/1978	Montesi	D10/46.3
D439,175 S *	3/2001	Kerr	D10/46.3

OTHER PUBLICATIONS

Joseph Joseph contemporary kitchenware: Nest baking accessories, Mar. 2, 2015, Fleshdesignblog.com, 2 Pages.*

Primary Examiner — Eric Goodman

Assistant Examiner — Clese Moore, Jr.

(74) *Attorney, Agent, or Firm* — Millen, White, Zelano & Branigan, P.C.

(57) **CLAIM**

The ornamental design for a nested cups and spoons, as shown and described.

DESCRIPTION

FIG. 1 is a back view of the nested cups and spoons showing my new design.

FIG. 2 is a side view thereof.

FIG. 3 is another side view thereof.

FIG. 4 is front view thereof.

FIG. 5 is a top view thereof.

FIG. 6 is bottom view thereof.

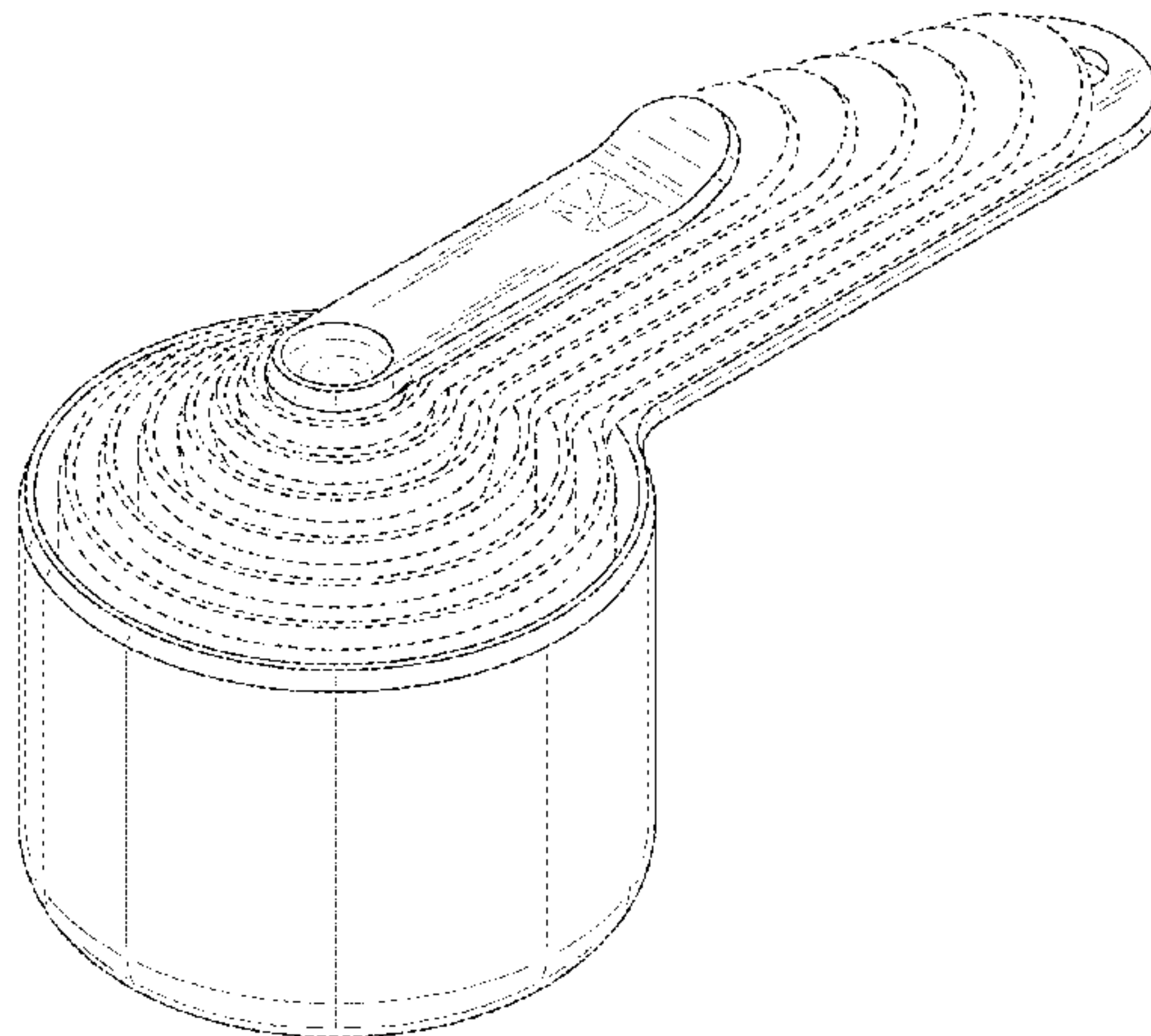
FIG. 7 is a top perspective view thereof.

FIG. 8 is an exploded top perspective view thereof; and,

FIG. 9 is an exploded bottom perspective view thereof.

The broken lines showing other parts of the nested cups and spoons form no part of the claimed design.

1 Claim, 9 Drawing Sheets



US D752,453 S

Page 2

(56)

References Cited

U.S. PATENT DOCUMENTS

D737,696 S * 9/2015 Bagley D10/46.3
2006/0277994 A1* 12/2006 Peterson G01F 19/002
73/426
2010/0089151 A1* 4/2010 Mantilla G01F 19/002
73/426

2012/0079881 A1* 4/2012 Olson G01F 19/002
73/426
2012/0198930 A1* 8/2012 Hood G01F 19/002
73/429
2012/0222482 A1* 9/2012 Kern G01F 19/002
73/426

* cited by examiner

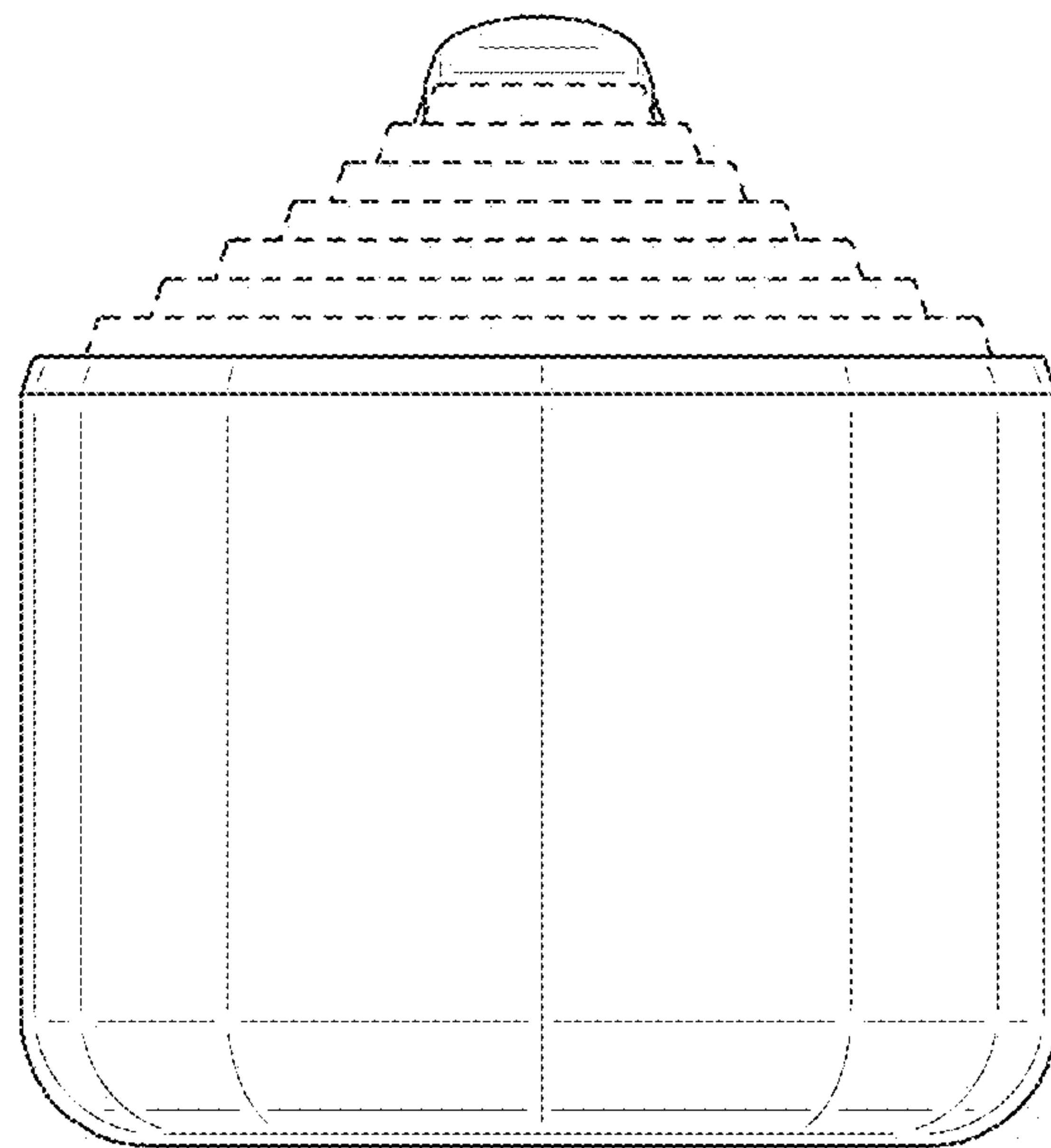


Fig. 1

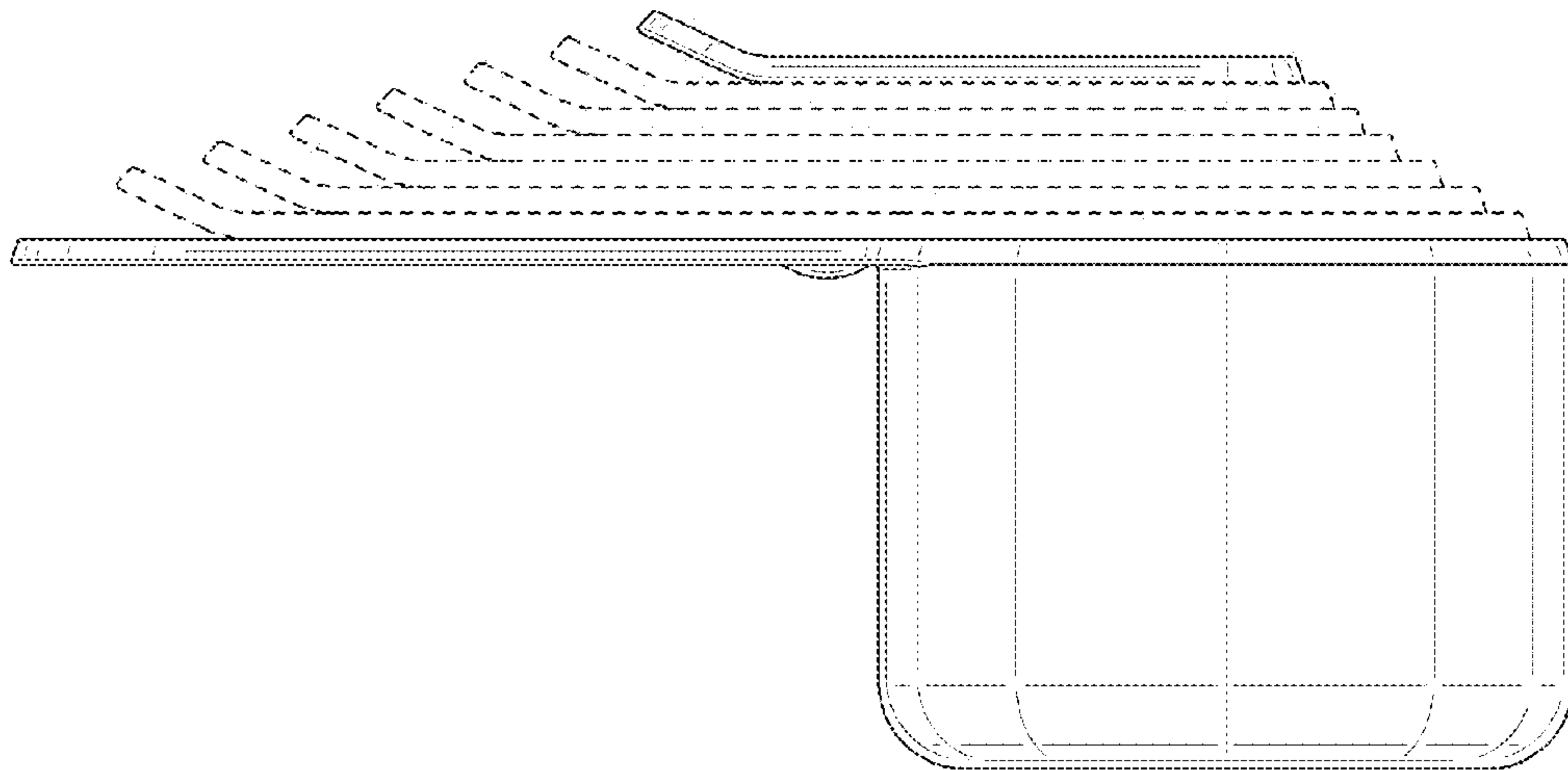


Fig.2

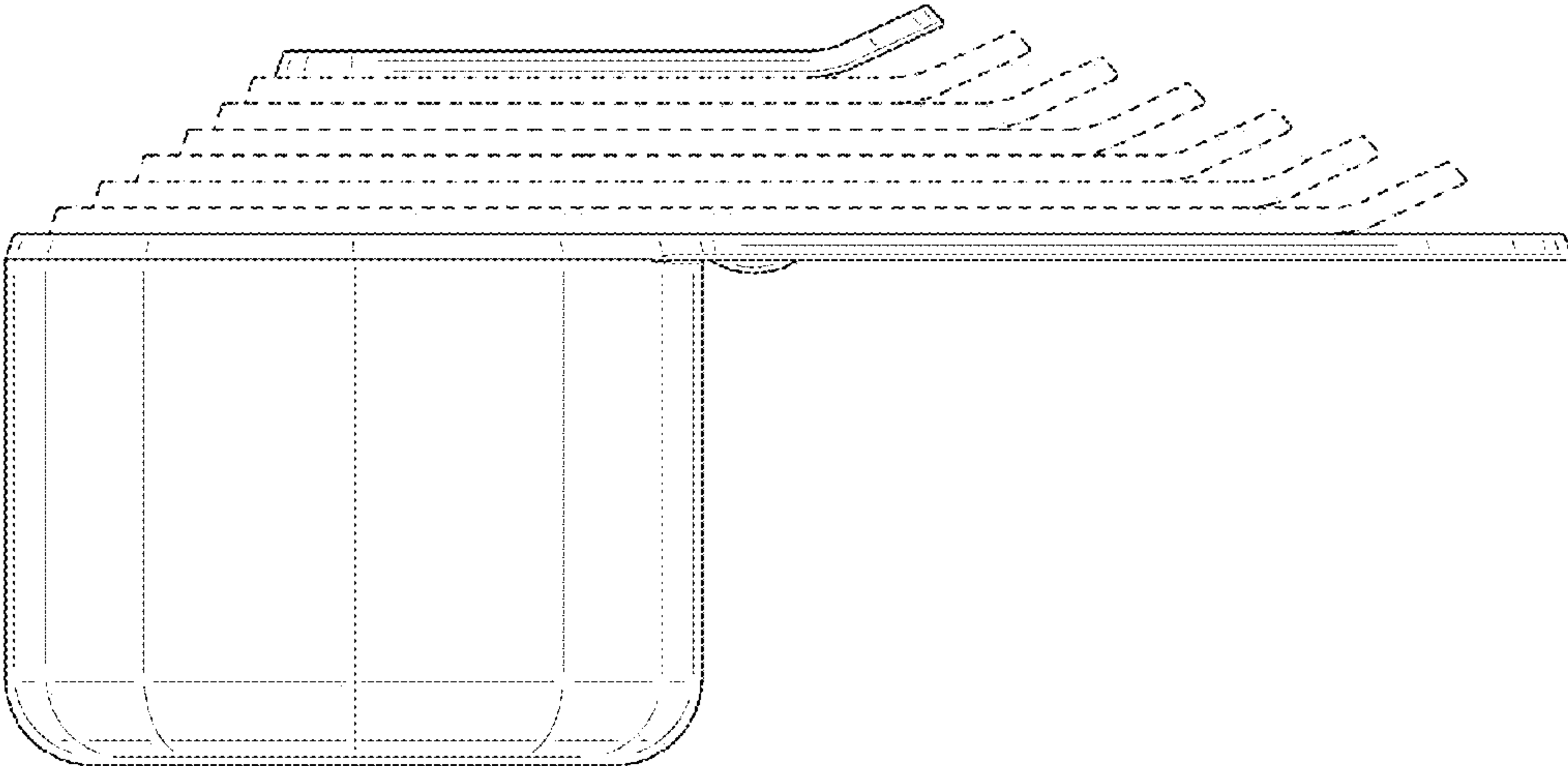


Fig.3

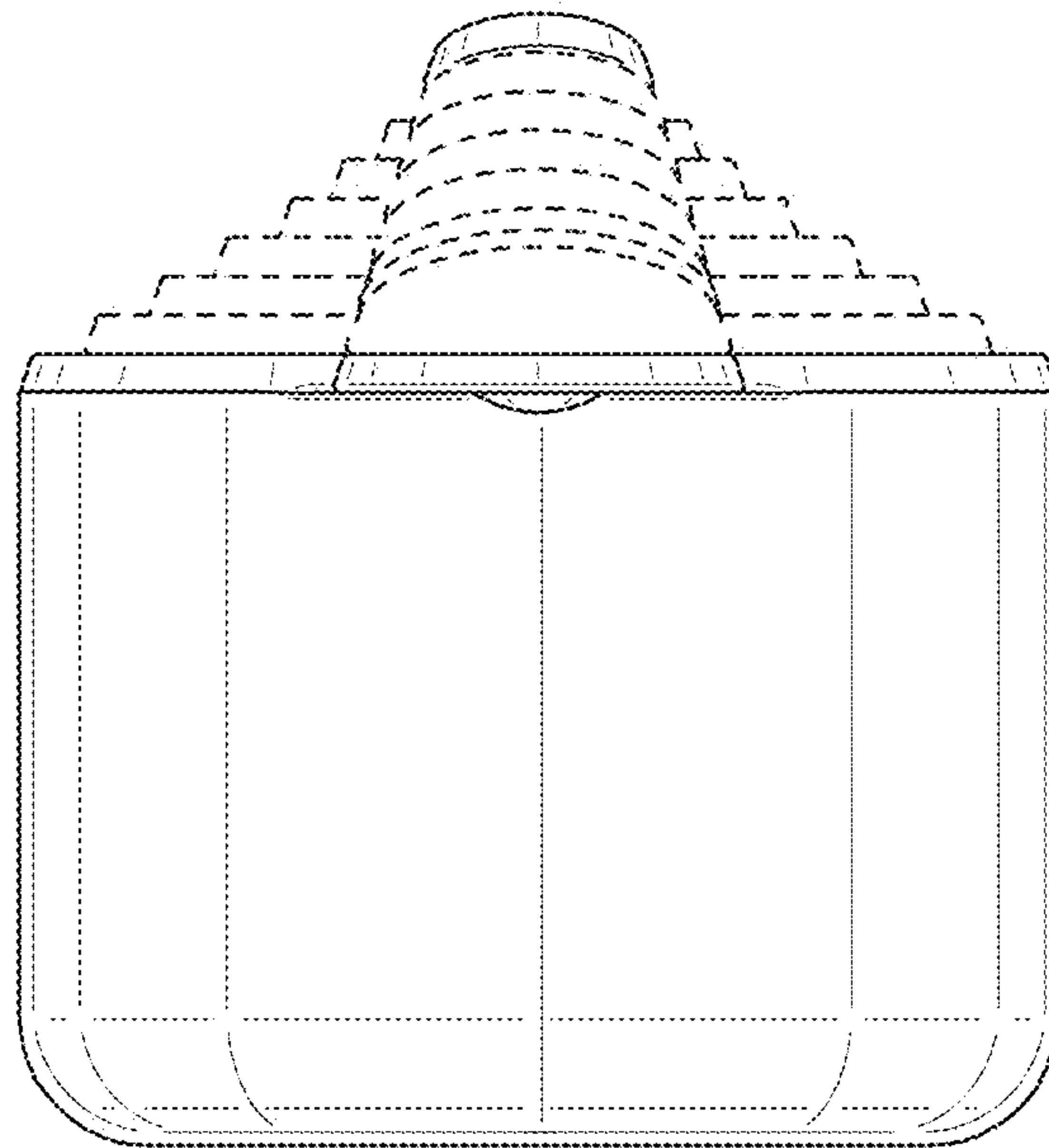


Fig.4

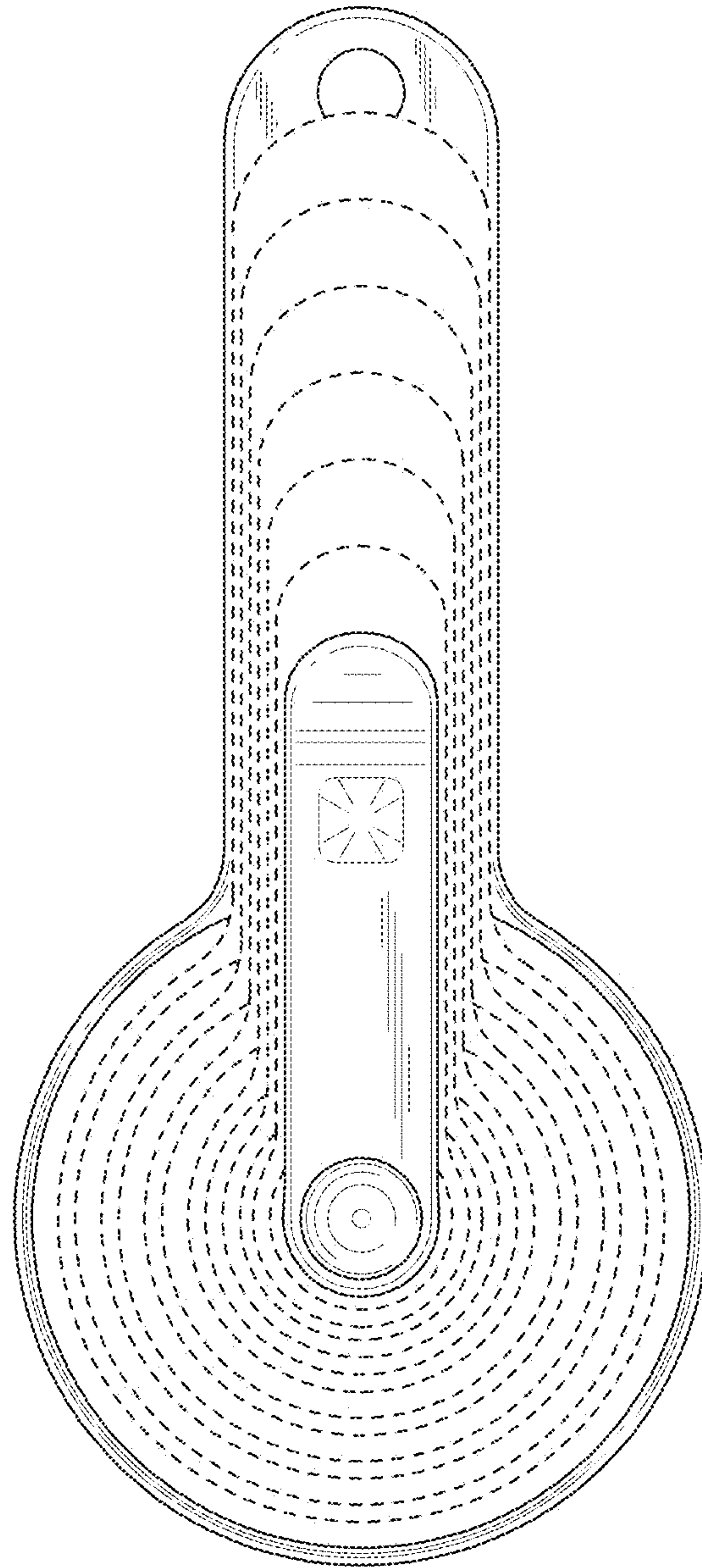


Fig.5

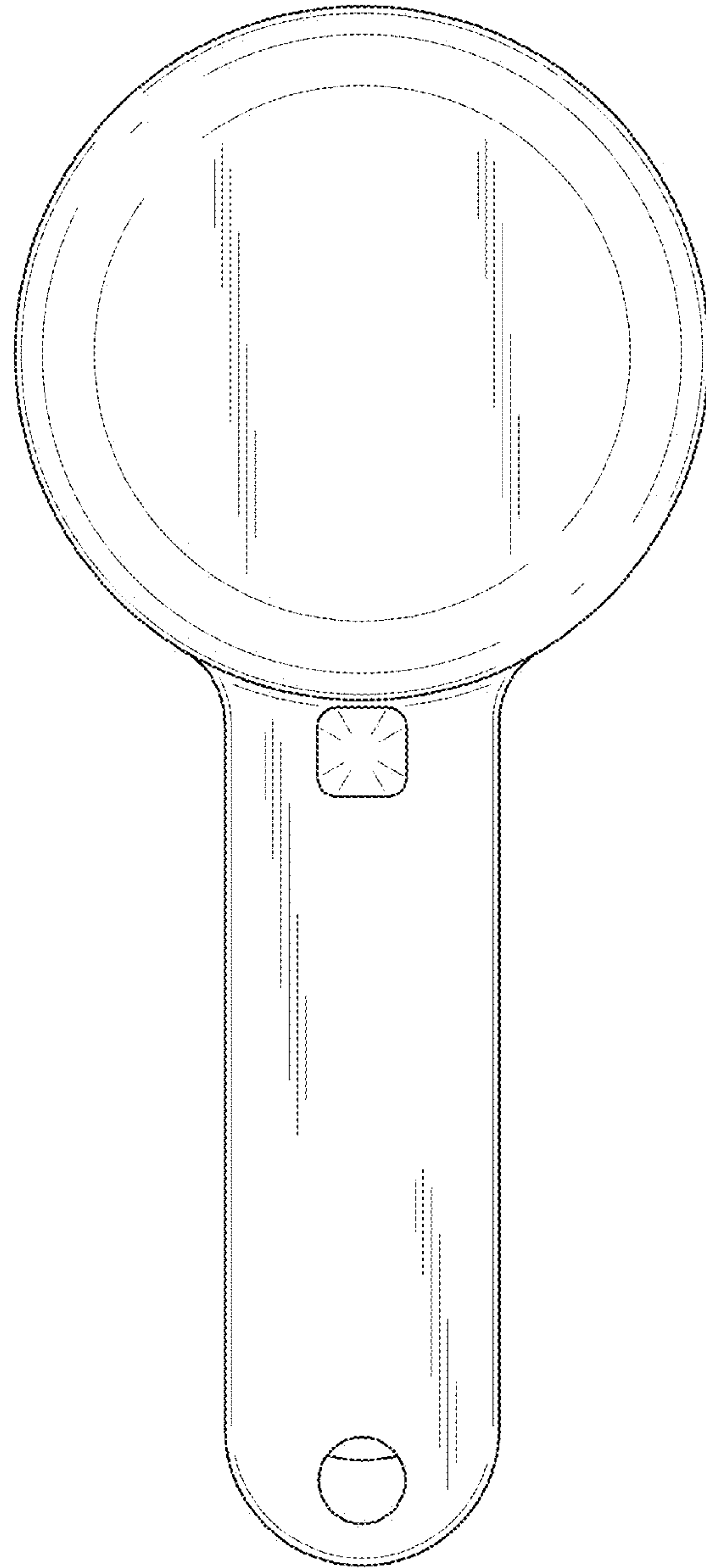


Fig.6

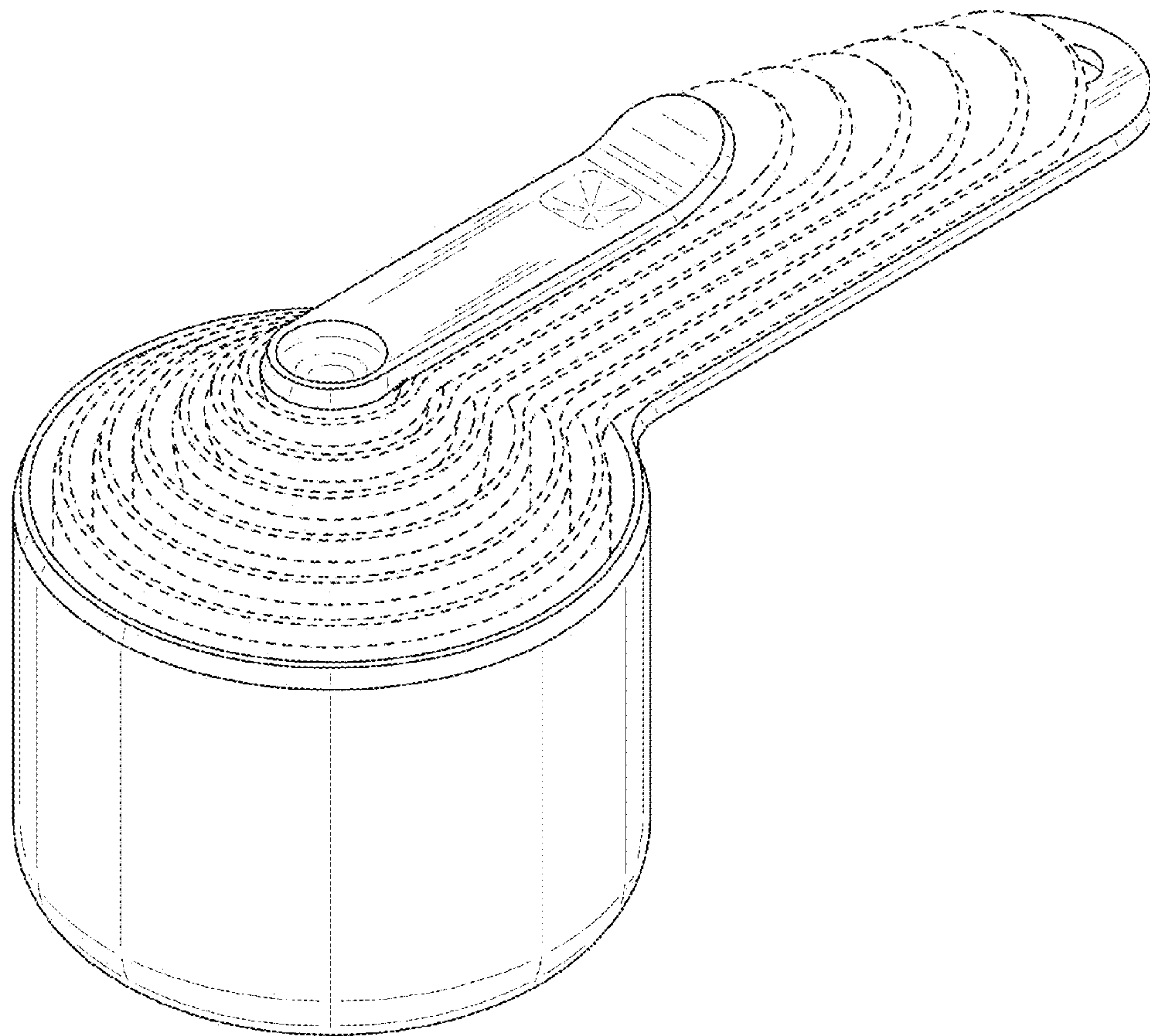


Fig.7

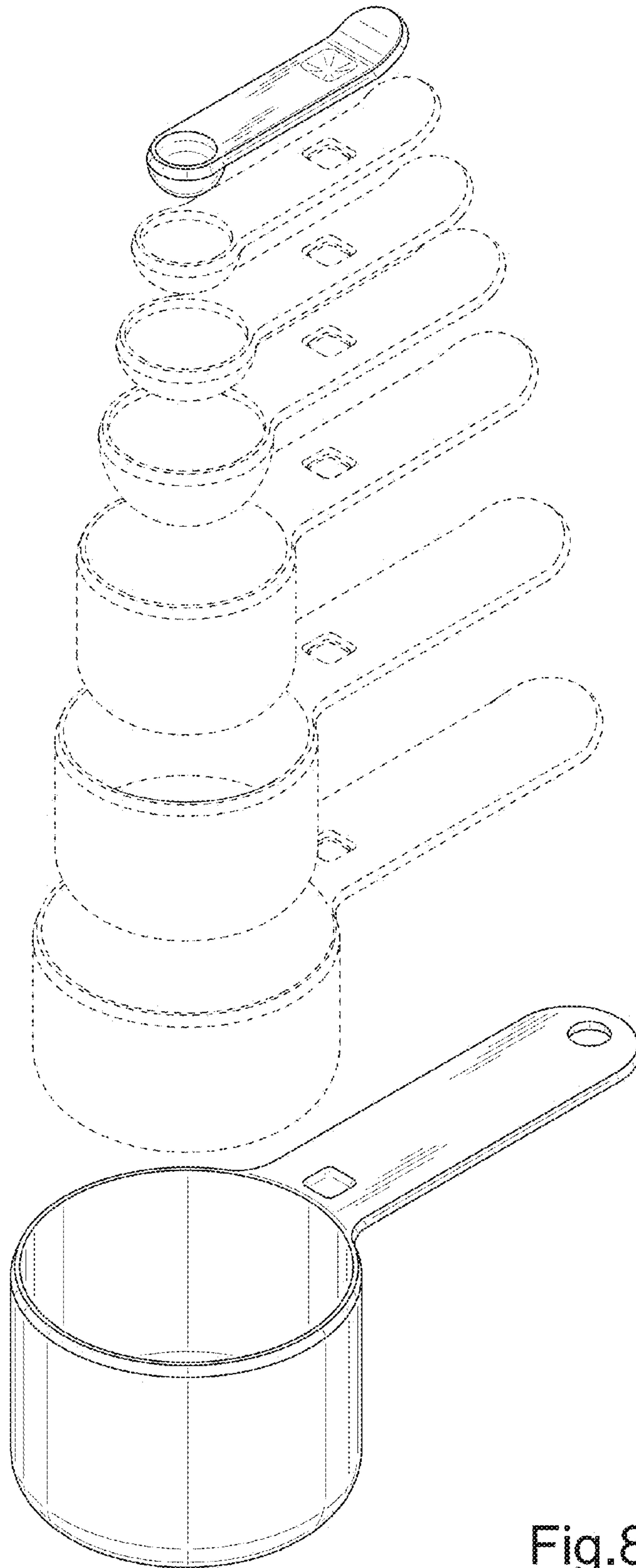


Fig.8

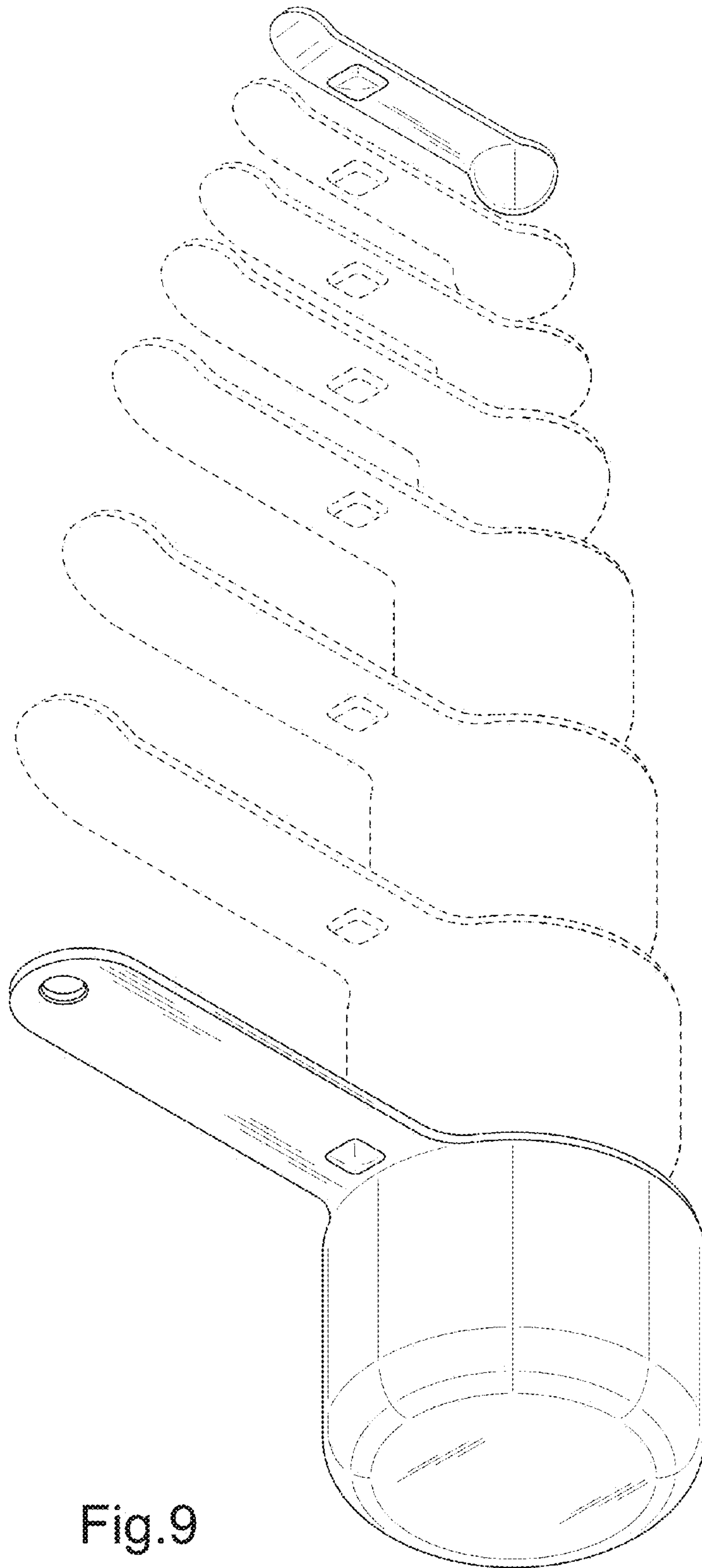


Fig.9