



US00D752449S

(12) **United States Design Patent**
Billen

(10) **Patent No.:** **US D752,449 S**

(45) **Date of Patent:** **** *Mar. 29, 2016**

- (54) **VEHICLE CARTON**
- (71) Applicant: **Kid Stuff Marketing, Inc.**, Topeka, KS (US)
- (72) Inventor: **William D. Billen**, Topeka, KS (US)
- (73) Assignee: **Kid Stuff Marketing, Inc.**, Topeka, KS (US)

- D214,262 S * 5/1969 Paige D9/675
- 4,055,250 A 10/1977 Mayhew
- D256,670 S * 9/1980 Fish D9/675
- 4,643,349 A 2/1987 Sheffer
- 4,646,959 A 3/1987 Sheffer
- 4,661,082 A 4/1987 Sheffer
- 4,804,133 A 2/1989 Kiyokane
- 5,454,508 A 10/1995 Billen
- D374,175 S * 10/1996 Tesar D9/675
- 5,622,256 A 4/1997 Tesar
- D386,399 S * 11/1997 Stokely et al. D9/675
- D408,211 S * 4/1999 Cordell D9/675

(*) Notice: This patent is subject to a terminal disclaimer.

(**) Term: **14 Years**

(21) Appl. No.: **29/491,248**

(22) Filed: **May 19, 2014**

(51) **LOC (10) Cl.** **09-01**

(52) **U.S. Cl.**
USPC **D9/675; D21/551**

(58) **Field of Classification Search**
USPC D3/270, 271.1-271.4; D7/514-520, D7/599, 604, 613, 619.2, 623, 628; D9/600, 572-577, 414, 418, 430-434; 206/457, 459.5, 527; 215/387-388, 215/381-384, 400; 229/150, 153, 116.4; 220/890; D21/551
CPC B65D 5/4258; B65D 81/60; B65D 81/365; B65D 81/366; B65D 81/368; B65D 2203/00; B65D 2203/02; A63H 33/16
See application file for complete search history.

(56) **References Cited**

U.S. PATENT DOCUMENTS

- 979,812 A 12/1910 Warren
- 1,330,654 A 2/1920 Alexander
- 1,547,176 A 7/1925 Lazon
- 1,553,793 A 9/1925 Rozowsky
- 2,118,821 A 5/1938 Ringler
- 2,823,844 A 2/1958 Frankenstein
- 3,224,660 A 12/1965 Willis

(Continued)

OTHER PUBLICATIONS

40th Anniversary Ford Mustang Classic Cruisers Carton, dated Apr. 23, 2004. www.toyrdirectory.com/monthly/toyshow/toyshow.asp?id=94.*

(Continued)

Primary Examiner — Sandra Morris
(74) *Attorney, Agent, or Firm* — Erickson Kernell Derusseau & Kleypas, LLC

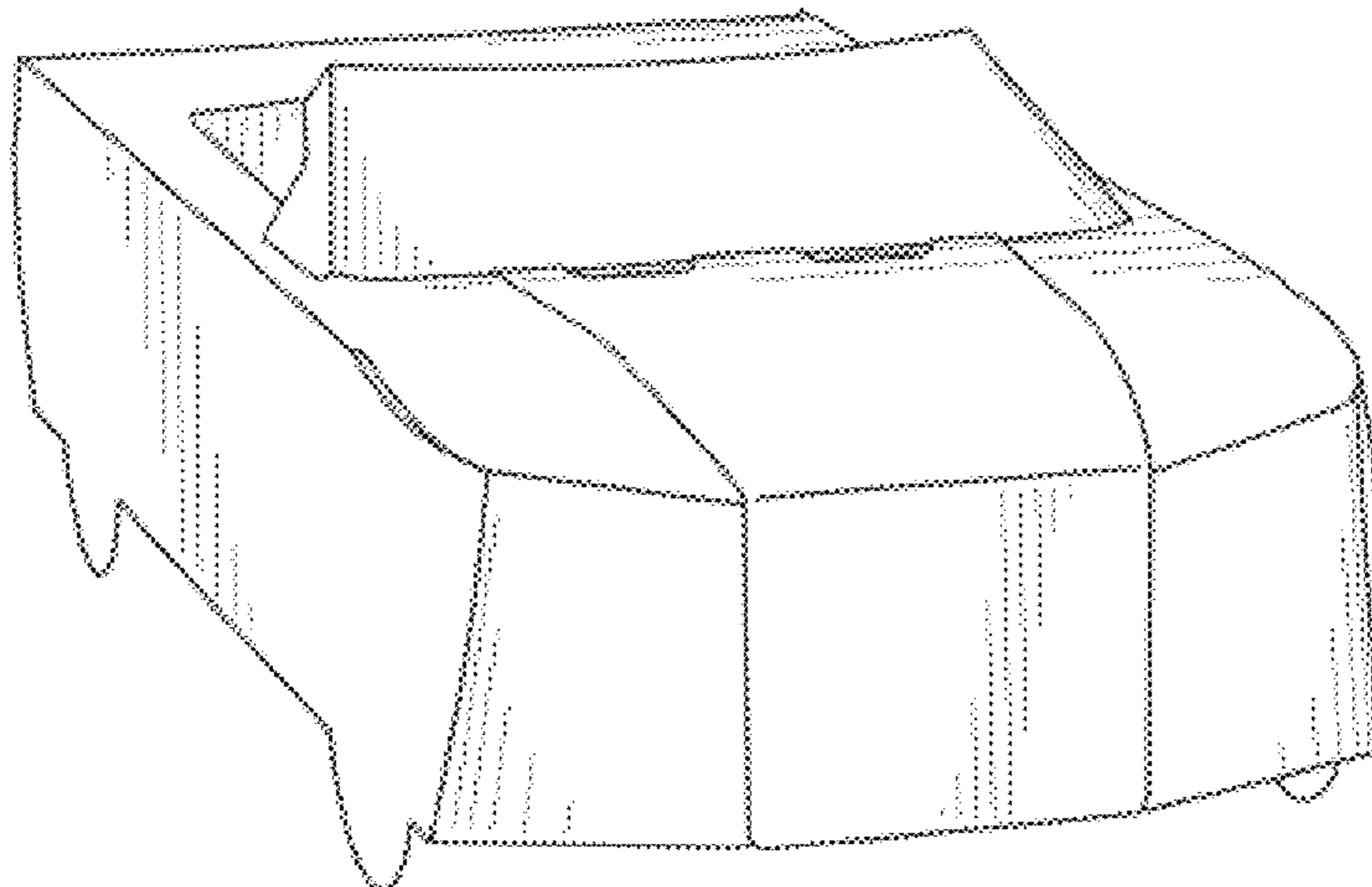
(57) **CLAIM**

The ornamental design for a vehicle carton, as shown and described.

DESCRIPTION

FIG. 1 flat unfolded view of an ornamental design for a vehicle carton;
FIG. 2 is an assembled top view thereof;
FIG. 3 is an assembled bottom view thereof;
FIG. 4 is an assembled side view thereof;
FIG. 5 is an assembled front end view thereof;
FIG. 6 is an assembled rear end view thereof; and,
FIG. 7 is a perspective view thereof.
The broken lines in FIG. 1 are for illustrative purposes only and form no part of the design fold lines illustrated in the other figures as solid lines when folded.

1 Claim, 3 Drawing Sheets



(56)

References Cited

U.S. PATENT DOCUMENTS

D531,516 S * 11/2006 Sellars D9/675
D534,810 S * 1/2007 Sellars D9/675
D536,260 S * 2/2007 Young et al. D9/675
D538,176 S * 3/2007 Wilburn D9/675
D547,396 S 7/2007 Yaguchi
7,317,573 B2 1/2008 Billen
7,487,903 B2 2/2009 Billen

7,654,441 B2 2/2010 Billen
D638,305 S * 5/2011 Brogan et al. D9/675
8,511,537 B2 8/2013 Billen

OTHER PUBLICATIONS

2007 QSR/FPI Foodservice Packaging Awards, dated Oct. 23, 2007.
www.slideshare.net/purdy/2007-qsrspi-foodservice-packaging-awards.*

* cited by examiner

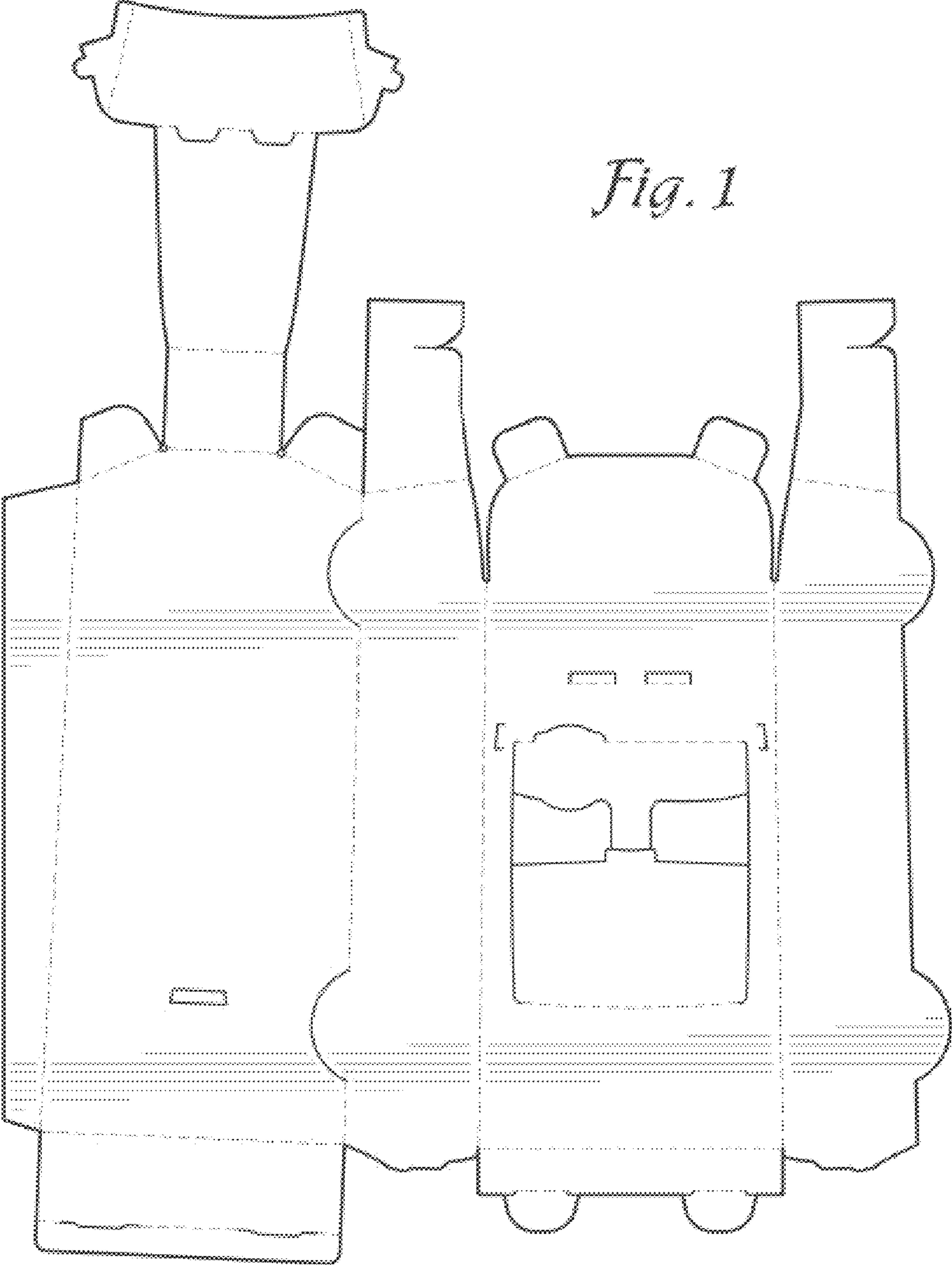


Fig. 1

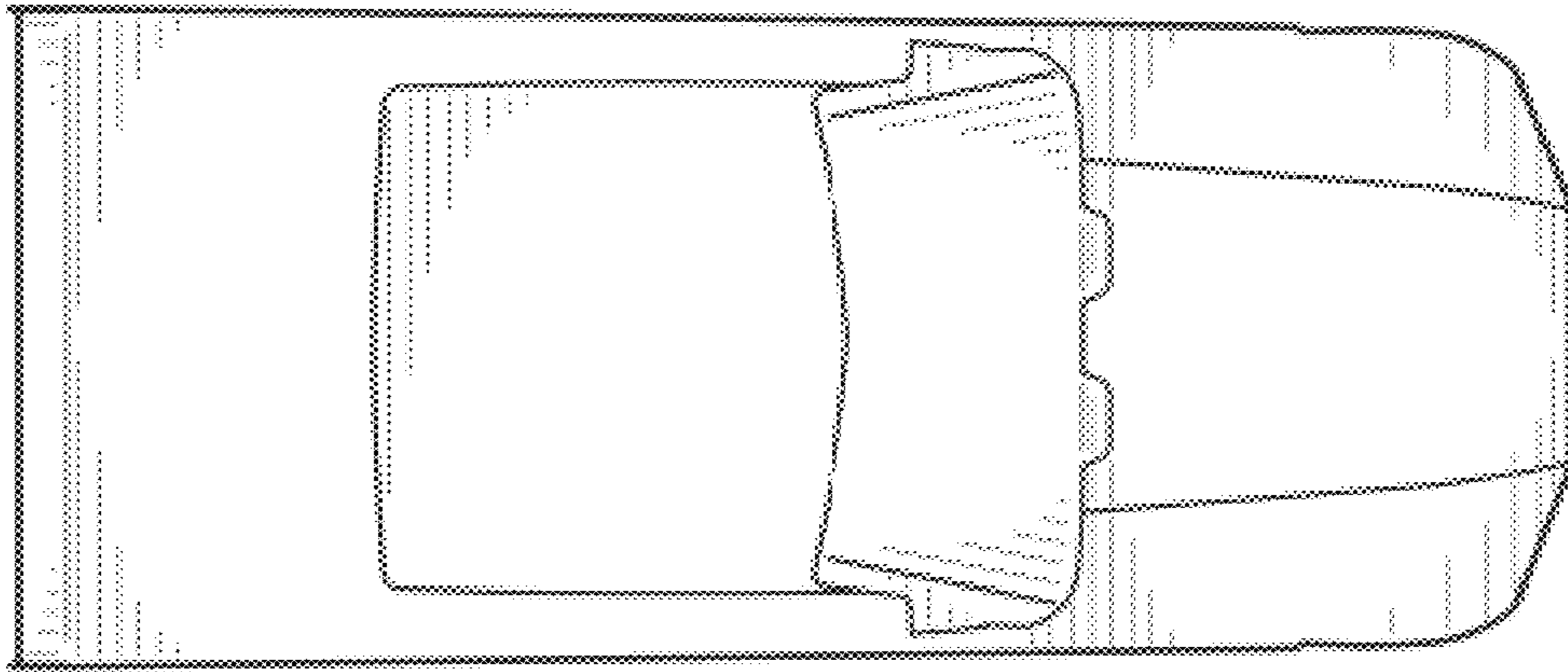


Fig. 2

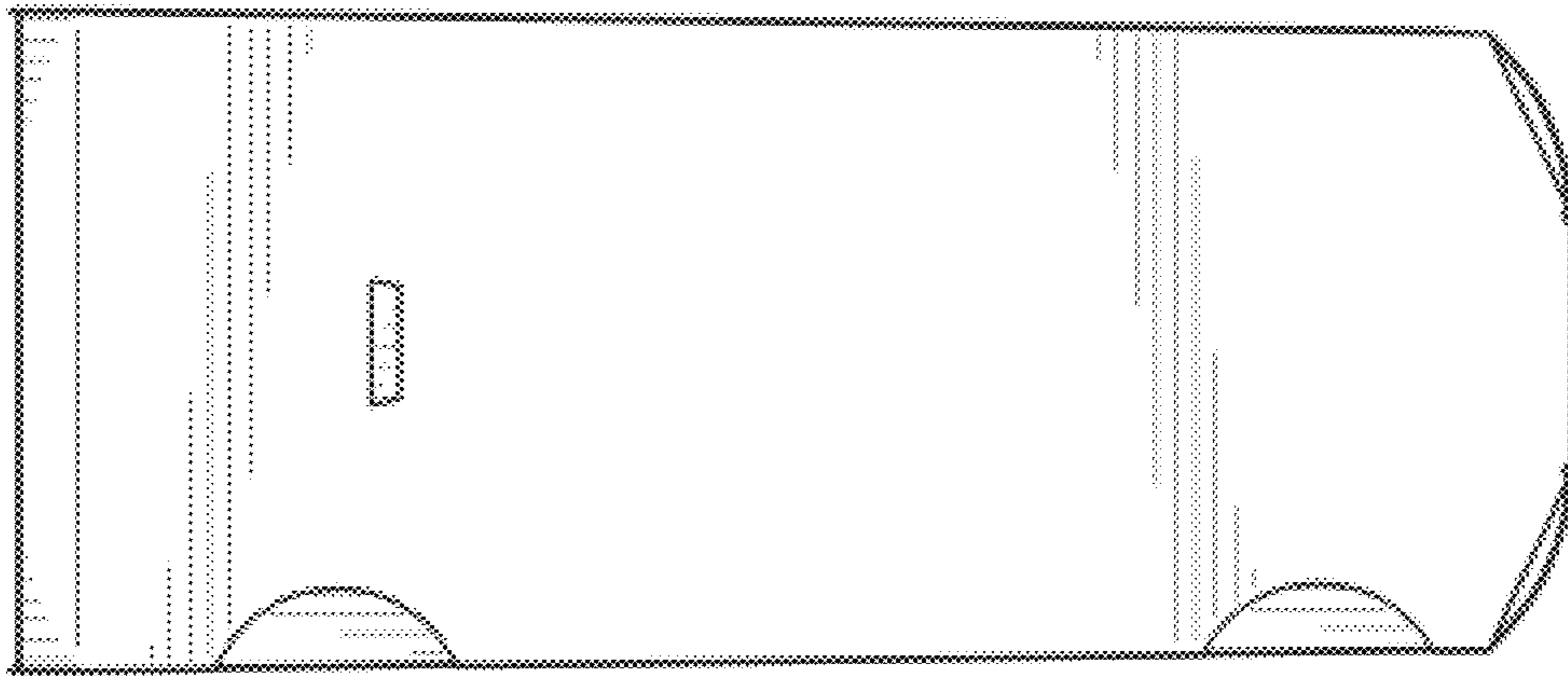


Fig. 3

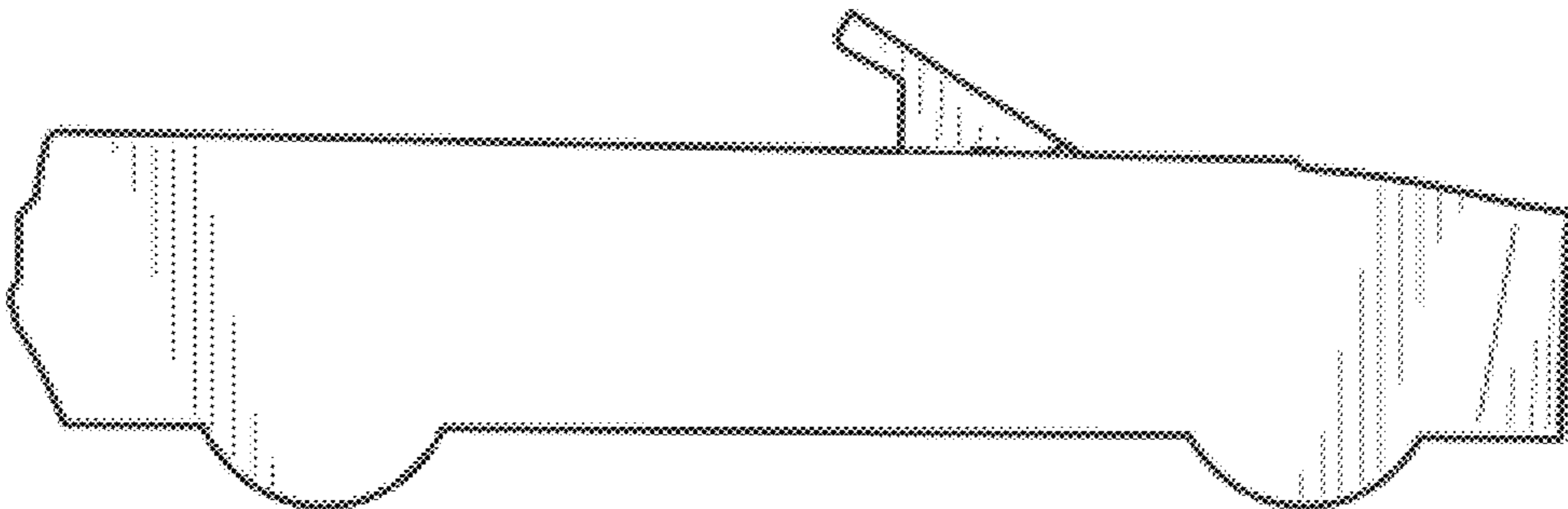


Fig. 4

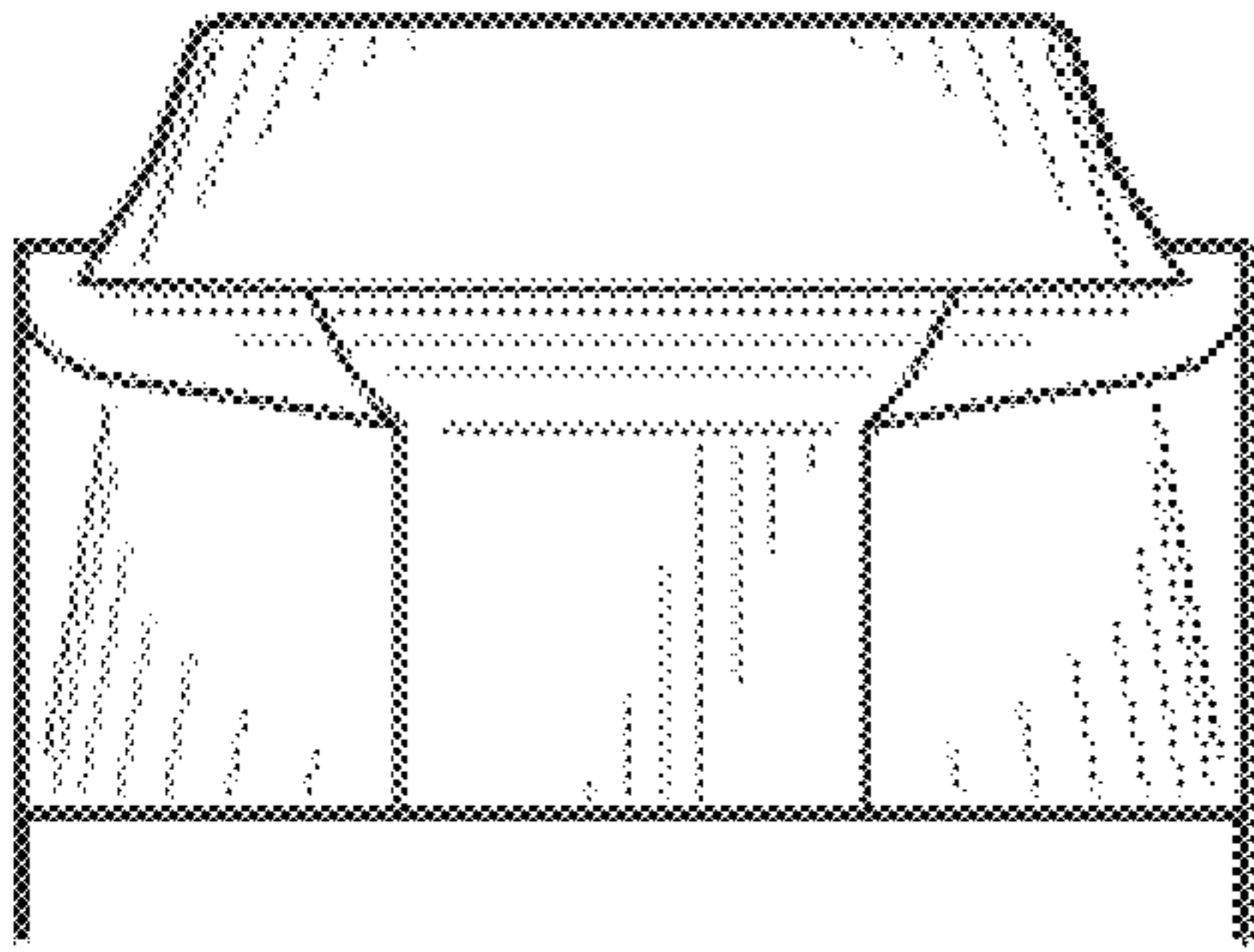


Fig. 5

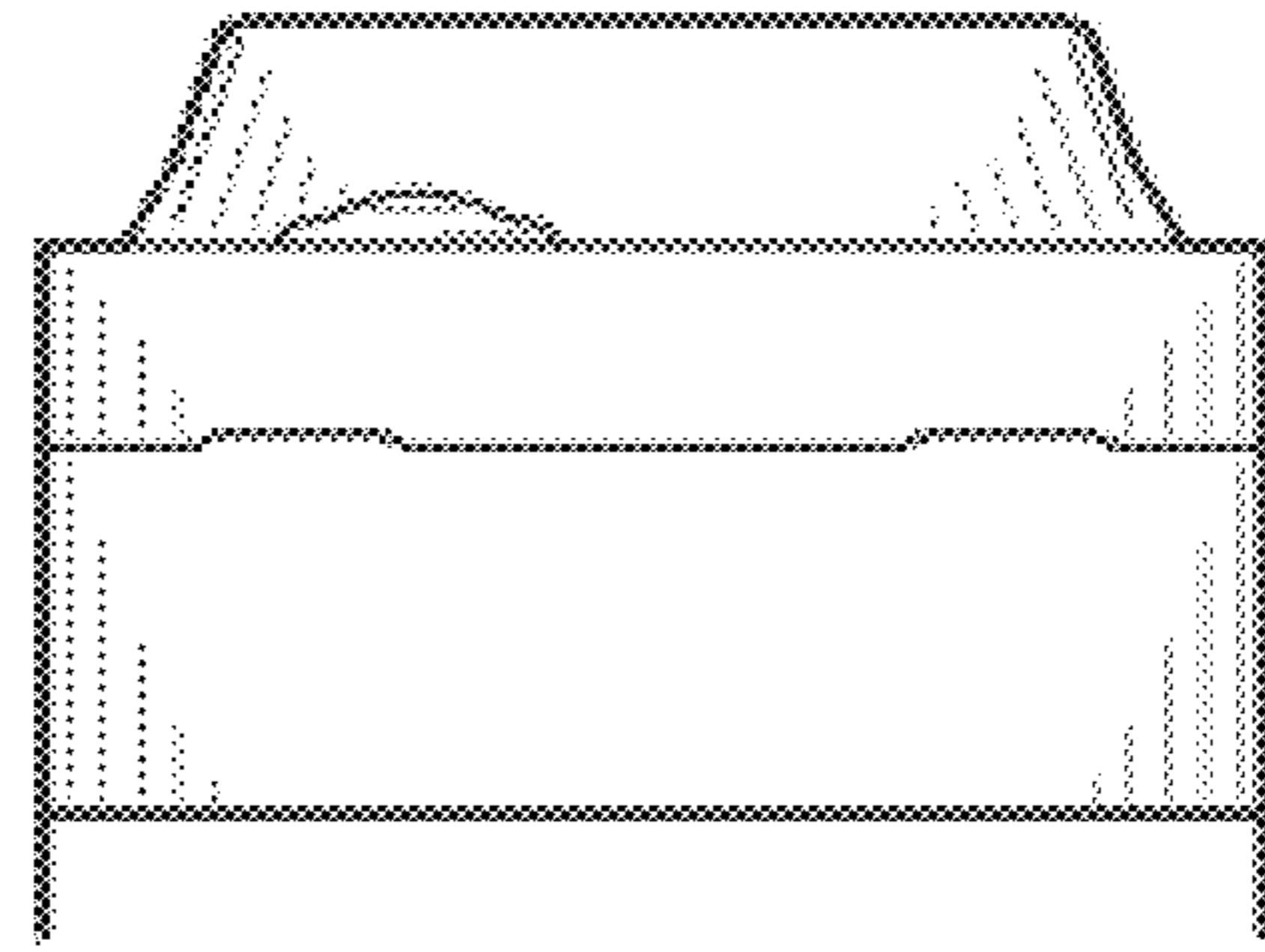


Fig. 6

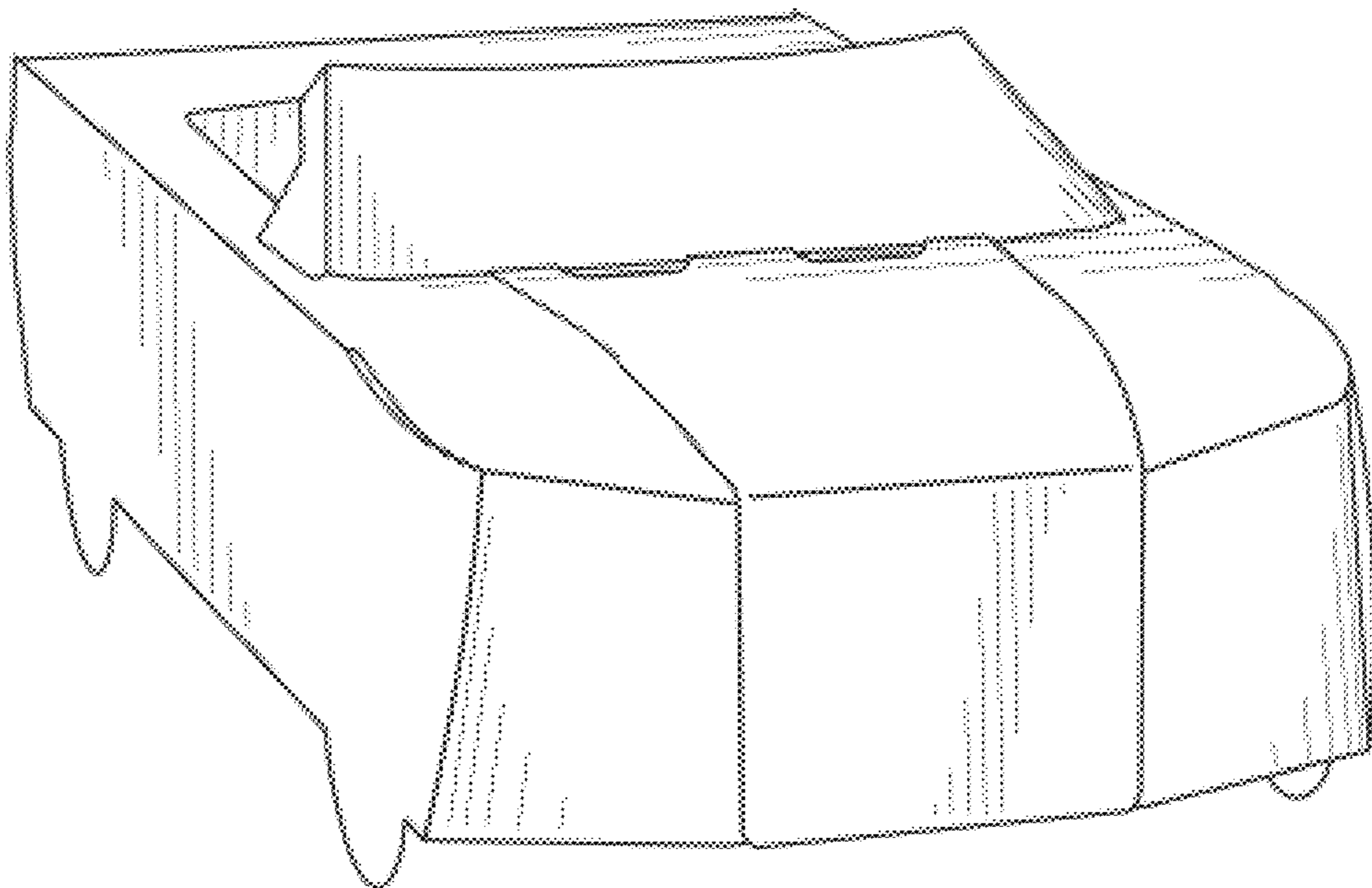


Fig. 7