



US00D752440S

(12) **United States Design Patent**
Fleischhacker

(10) **Patent No.:** **US D752,440 S**
(45) **Date of Patent:** **** Mar. 29, 2016**

- (54) **CONTAINER BODY PORTION**
- (71) Applicant: **Plastipak Packaging, Inc.**, Plymouth, MI (US)
- (72) Inventor: **Kyle Fleischhacker**, Dearborn, MI (US)
- (73) Assignee: **Plastipak Packaging, Inc.**, Plymouth, MI (US)
- (**) Term: **14 Years**
- (21) Appl. No.: **29/499,948**
- (22) Filed: **Aug. 20, 2014**
- (51) **LOC (10) Cl.** **09-01**
- (52) **U.S. Cl.**
USPC **D9/500; D9/550**
- (58) **Field of Classification Search**
USPC D9/500, 502-504, 516, 530, 537-540, D9/549, 550, 557-558, 715, 719
CPC B65D 1/00; B65D 1/02; B65D 1/0223; B65D 23/00; B65D 2501/00; B65D 2501/0009
See application file for complete search history.

(56) **References Cited**

U.S. PATENT DOCUMENTS

- 3,331,521 A * 7/1967 Paige B65D 85/307
206/433
- D274,697 S * 7/1984 Venne D9/453

- D303,926 S * 10/1989 Venne D19/71
- D332,050 S * 12/1992 Schmidt D9/453
- D479,999 S * 9/2003 Moore D9/500
- D544,367 S * 6/2007 Calderon-Bautista D7/901
- D594,342 S * 6/2009 Pare D9/500
- D609,570 S * 2/2010 Suchenski D9/500
- D723,931 S * 3/2015 Mini D9/500

* cited by examiner

Primary Examiner — Dana L Meyrow

(74) *Attorney, Agent, or Firm* — Mario A. Tabone; Plastipak Packaging, Inc.

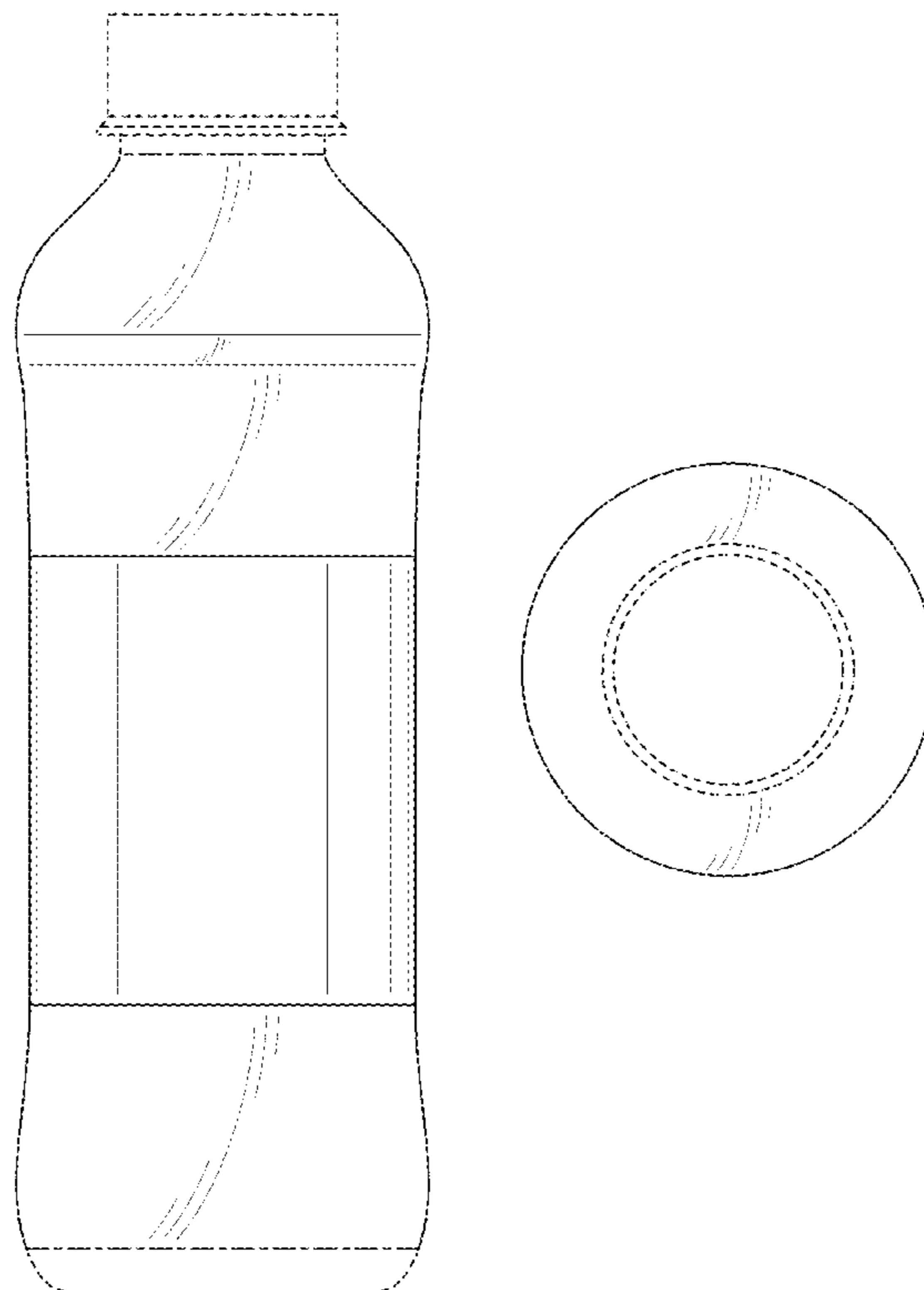
(57) **CLAIM**

The ornamental design for a container body portion, as shown and described.

DESCRIPTION

FIG. 1 is a top perspective view of a container body portion showing my new design;
 FIG. 2 is a front elevational view of FIG. 1;
 FIG. 3 is a rear elevational view of FIG. 1;
 FIG. 4 is a right side elevational view of FIG. 1;
 FIG. 5 is a left side elevational view of FIG. 1;
 FIG. 6 is a top plan view of FIG. 1; and,
 FIG. 7 is a bottom plan view of FIG. 1.
 The broken lines shown in the drawings illustrate portions of the container body portion that form no part of the claimed design.

1 Claim, 6 Drawing Sheets



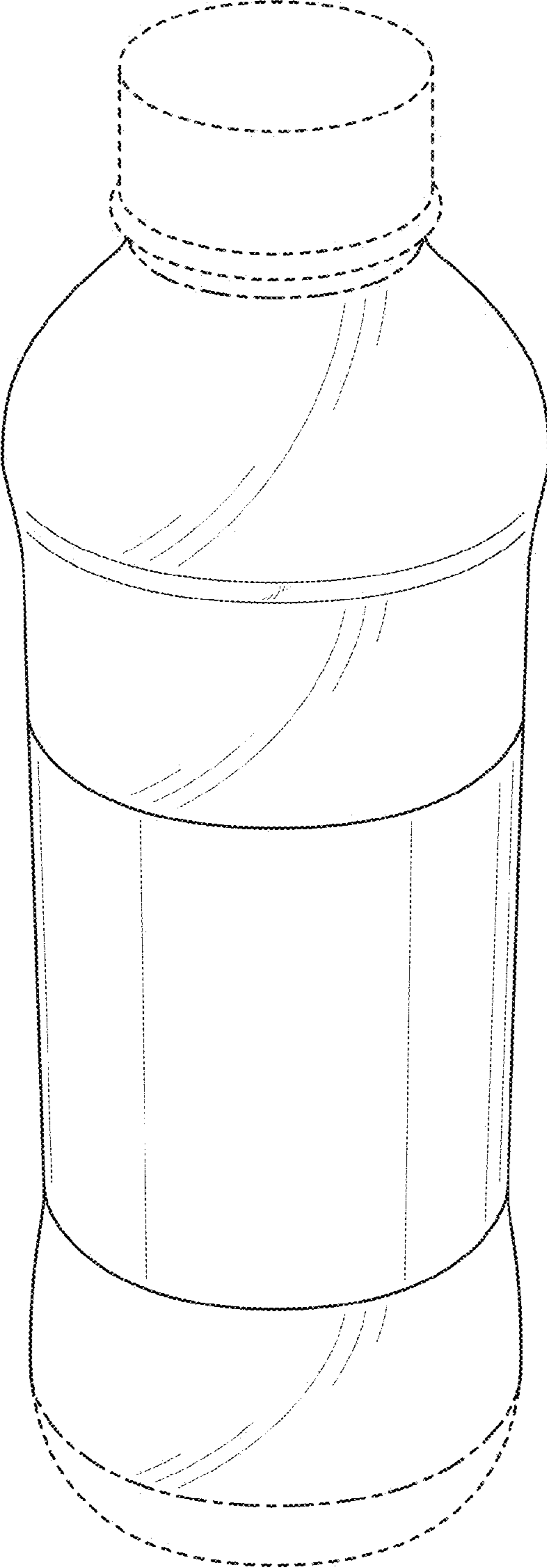


FIG. 1

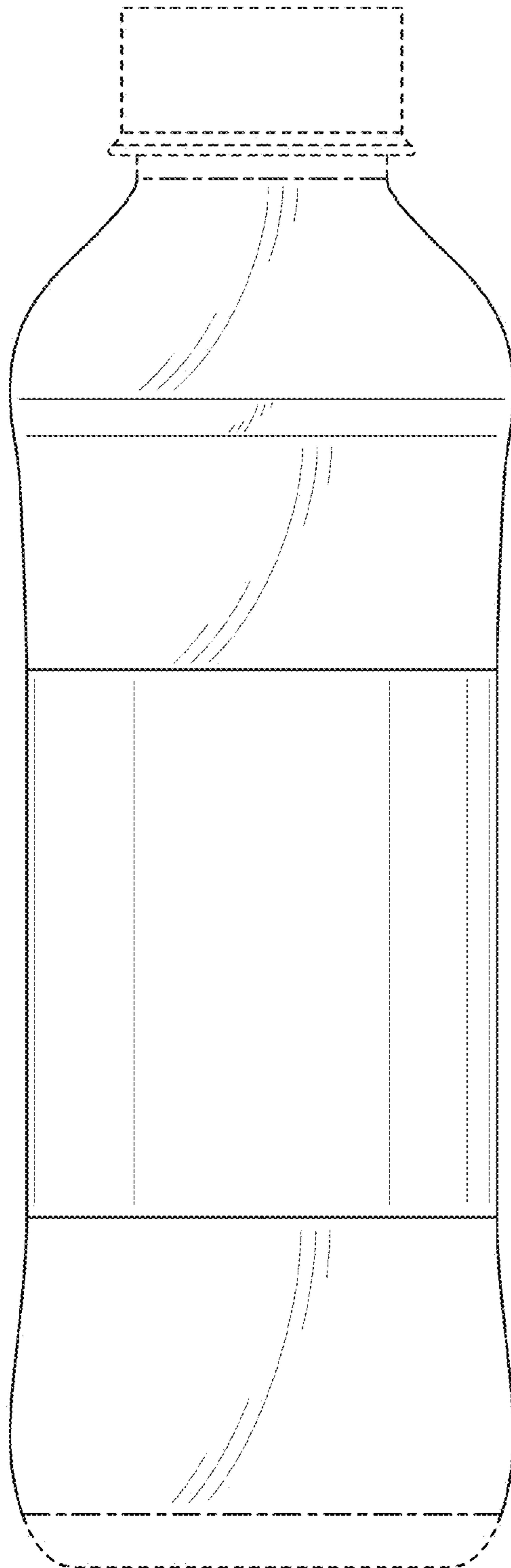


FIG. 2

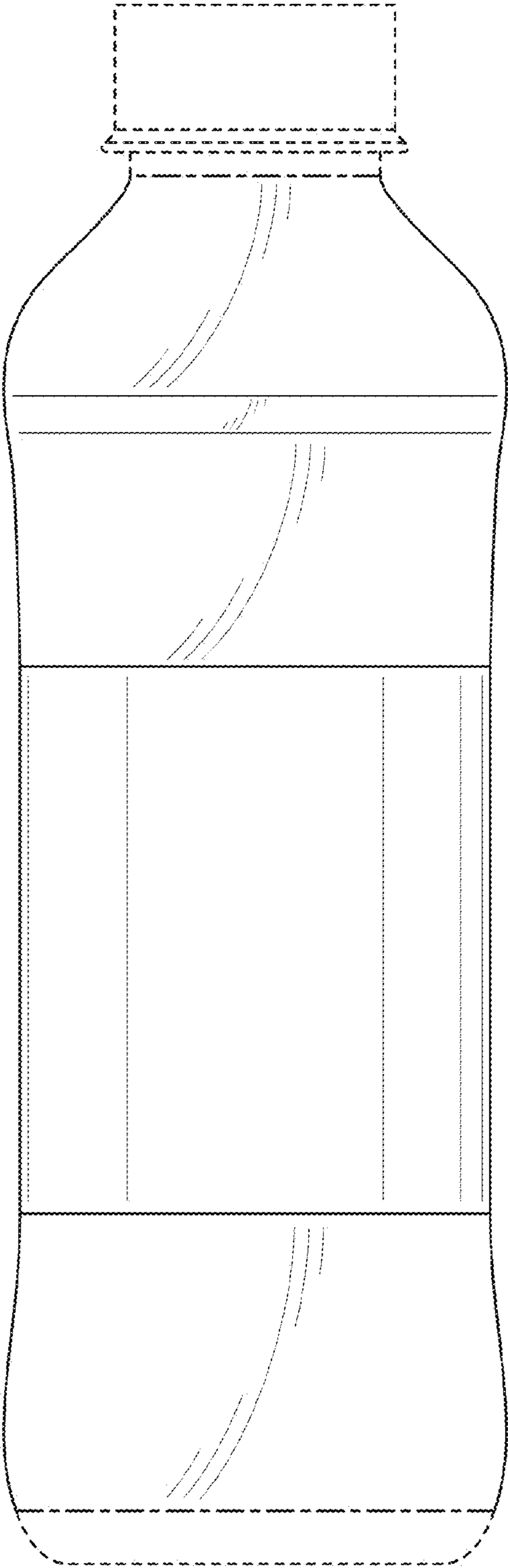


FIG. 3

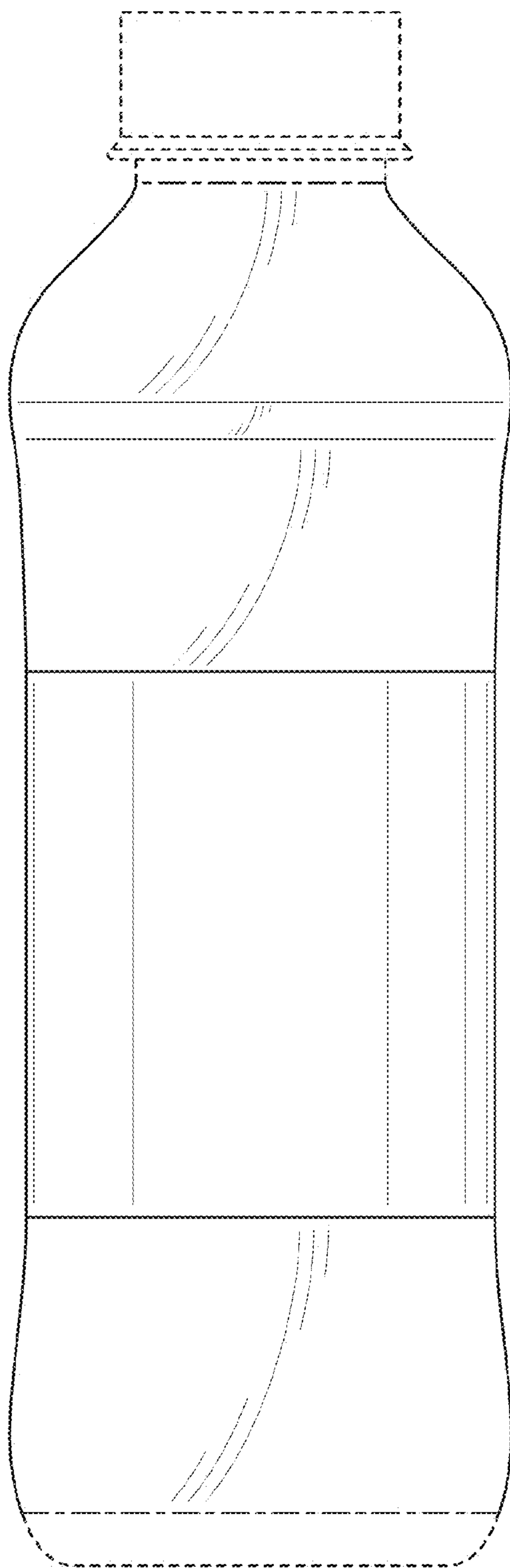


FIG. 4

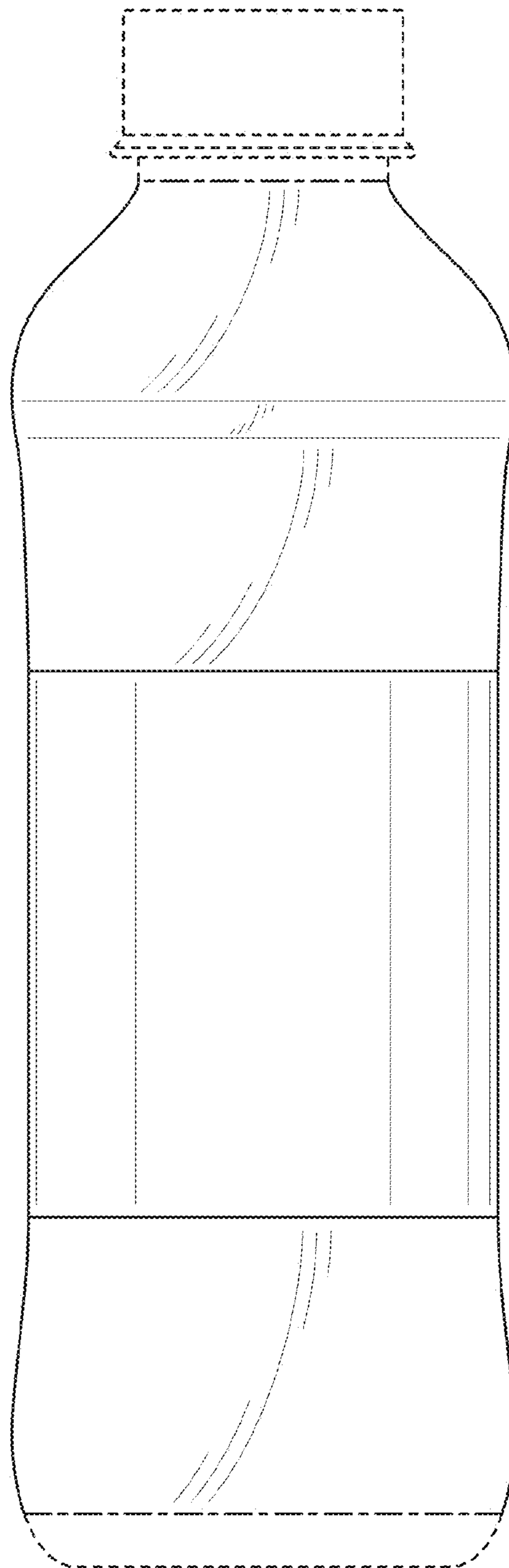


FIG. 5

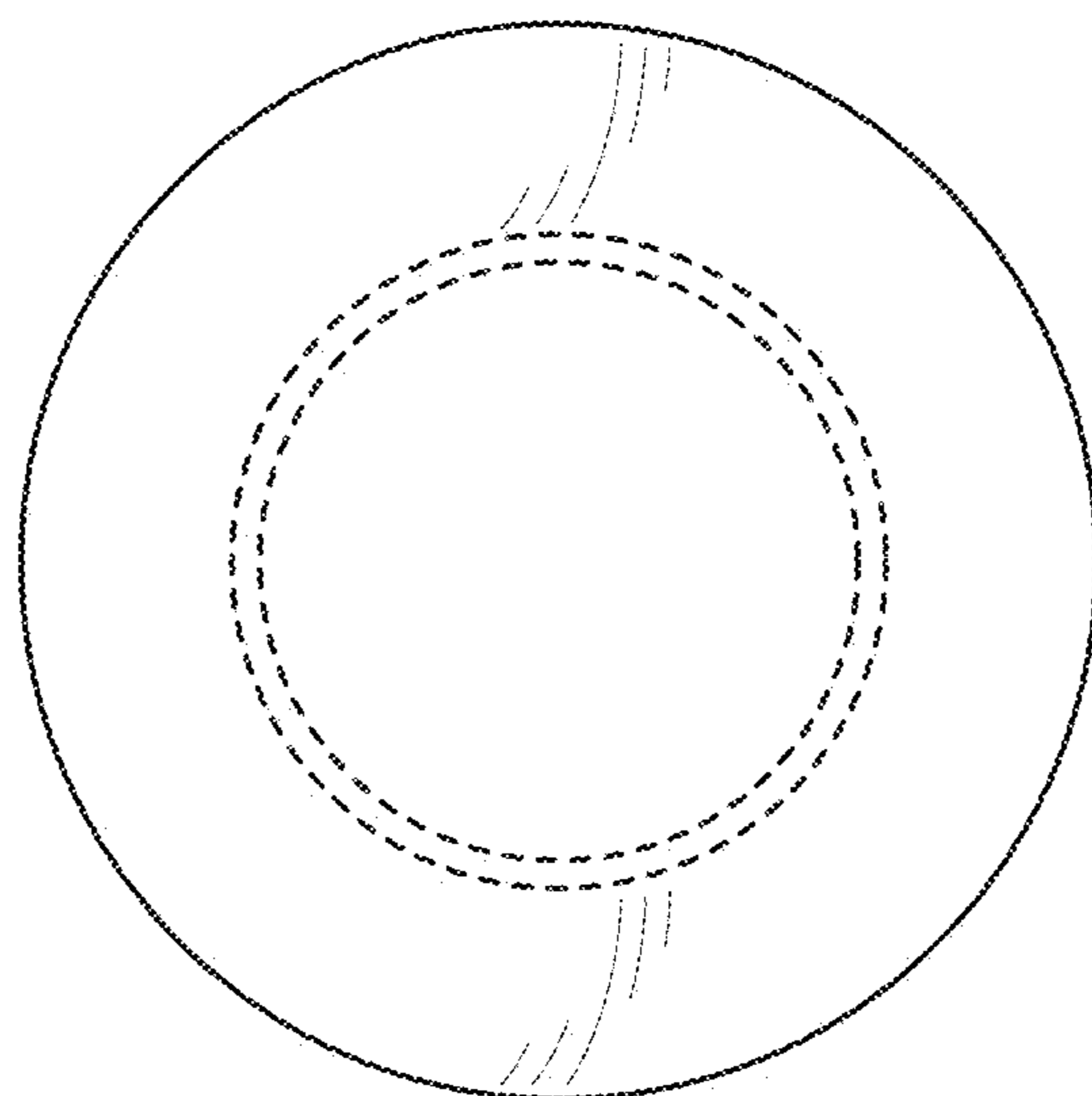


FIG. 6

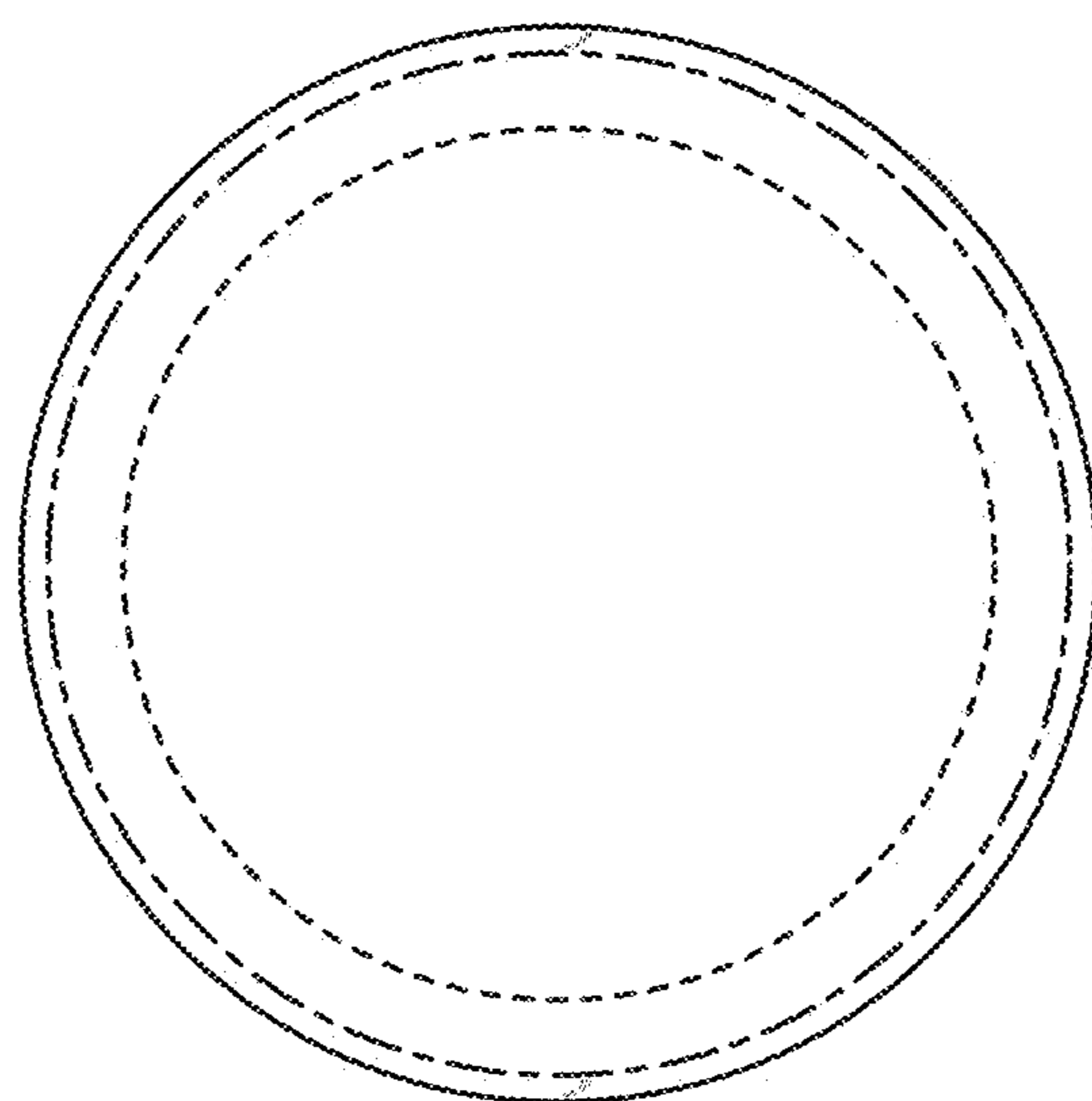


FIG. 7