



US00D752436S

(12) **United States Design Patent**  
**Crudgington**

(10) **Patent No.:** **US D752,436 S**

(45) **Date of Patent:** **\*\* Mar. 29, 2016**

(54) **DISPOSABLE CUP LID**

(71) Applicant: **Cleveland B. Crudgington**, Monrovia, CA (US)

(72) Inventor: **Cleveland B. Crudgington**, Monrovia, CA (US)

(\*\*) Term: **14 Years**

(21) Appl. No.: **29/497,464**

(22) Filed: **Jul. 24, 2014**

(51) **LOC (10) Cl.** ..... **09-07**

(52) **U.S. Cl.**

USPC ..... **D9/447**; D9/434; D9/435; D9/454

(58) **Field of Classification Search**

USPC ..... D3/202, 273, 275, 294; D6/516; D7/300, 300.1, 316, 317, 387, 391, D7/392, 392.1, 393, 396.2, 509, 510, 511, D7/531, 538, 541, 549, 629, 703, 900; D9/434, 435, 438, 439, 440, 443, 446, D9/447, 448, 449, 450, 452, 453, 454, 502, D9/503, 504, 529; D19/70, 71, 93, 163, D19/194; 206/216, 538, 539, 546; 215/12.1, 215/42, 200, 217, 225, 226, 228, 230, 233, 215/235, 236, 237, 238, 249, 251, 253, 254, 215/305, 306, 321, 382; 220/254.2, 354.3, 220/254.5, 354.7, 254.9, 260, 264, 266, 220/285, 368, 521, 711, 714, 811, 812, 835, 220/837; 222/212, 254.5, 375, 484, 492, 222/494, 472, 480, 521, 544, 556, 810, 813, 222/835, 837

CPC ..... A62C 31/02; B65D 1/02; B65D 1/0233; B65D 1/08; B65D 1/10; B65D 23/00; B65D 23/08; B65D 23/10; B65D 25/00; B65D 25/40; B65D 25/42; B65D 25/46; B65D 25/48; B65D 25/77; B65D 39/00; B65D 39/0047; B65D 41/00; B65D 43/00; B65D 43/02; B65D 51/02; B65D 51/04; B05B 17/00; B05B 15/002; A45D 34/00; A45D 34/042; A45D 40/22; A45D 2040/0006; A45D 2040/093; A47G 19/22; A47G 19/2205; A47G 19/2255; A47G 19/2266

See application file for complete search history.

(56) **References Cited**

U.S. PATENT DOCUMENTS

4,319,692 A 3/1982 Gundlach  
4,589,569 A 5/1986 Clements

(Continued)

FOREIGN PATENT DOCUMENTS

EM 000432984-0001 \* 1/2006  
WO 2013/142160 A1 9/2013

OTHER PUBLICATIONS

Paper Hot Cup Lids: Site Visited Dec. 8, 2015. Available from Internet URL: <http://www.webstaurantstore.com/587/paper-hot-cup-lids.html>.\*

(Continued)

*Primary Examiner* — Thomas Johannes

*Assistant Examiner* — Catherine Posthauer

(74) *Attorney, Agent, or Firm* — Seed IP Law Group PLLC

(57) **CLAIM**

The ornamental design for a disposable cup lid, as shown and described.

**DESCRIPTION**

FIG. 1 is an isometric top view of a disposable cup lid illustrating my new design;

FIG. 2 is a top plan view thereof;

FIG. 3 is an elevation view thereof;

FIG. 4 is a sectional front elevation view of FIG. 2 taken in the direction of line 4-4;

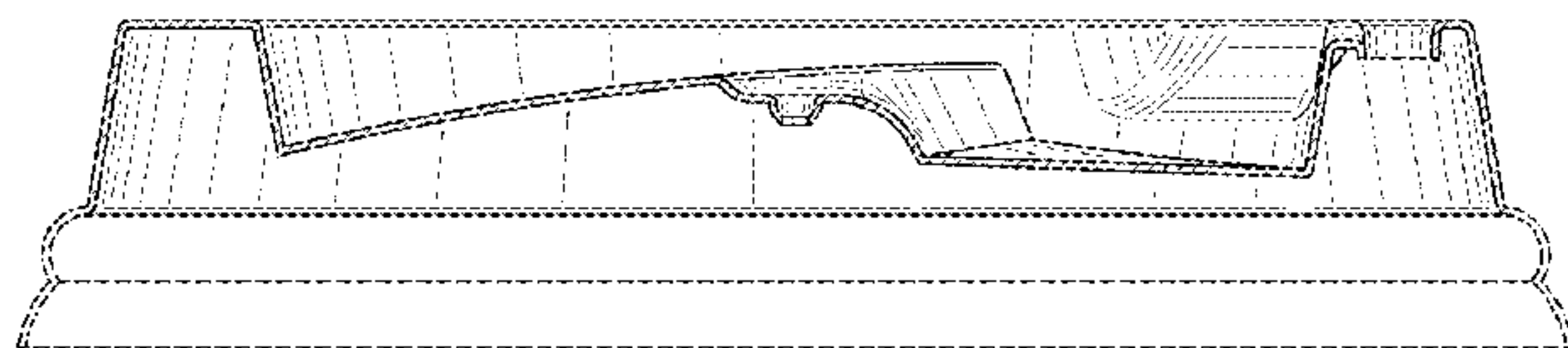
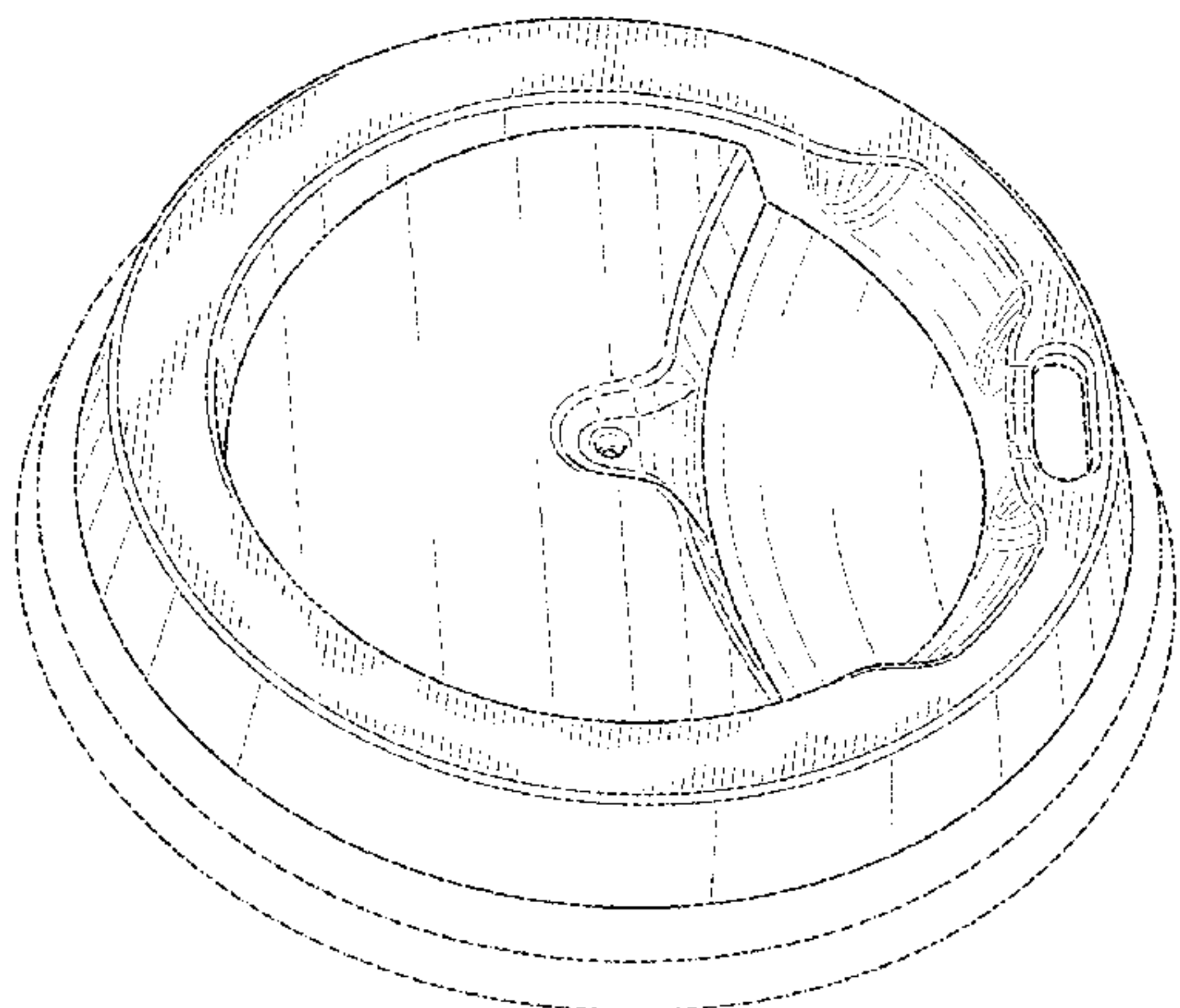
FIG. 5 is a sectional elevation view thereof, taken in the direction of line 5-5;

FIG. 6 is a sectional elevation view thereof, taken in the direction of line 6-6; and,

FIG. 7 is an isometric view of the underside of the disposable cup lid.

The broken lines are shown for the purpose of illustrating environment and portions of the disposable cup lid that form no part of the claimed design.

**1 Claim, 4 Drawing Sheets**



(56)

References Cited

U.S. PATENT DOCUMENTS

4,767,019 A 8/1988 Horner  
 5,065,880 A 11/1991 Horner  
 5,253,781 A 10/1993 Van Melle et al.  
 5,624,053 A 4/1997 Freek et al.  
 D385,493 S 10/1997 Zhang  
 5,839,601 A 11/1998 Van Melle  
 D402,556 S 12/1998 Frye  
 5,890,621 A 4/1999 Bachman et al.  
 6,260,727 B1\* 7/2001 Durdon ..... B65D 43/0268  
 220/254.3  
 6,419,112 B1 7/2002 Bruce et al.  
 6,523,712 B1 2/2003 McGushion  
 6,561,376 B2 5/2003 Price et al.  
 6,612,456 B1 9/2003 Hundley et al.  
 6,644,490 B2 11/2003 Clarke  
 6,679,397 B2 1/2004 Smith et al.  
 6,702,145 B2 3/2004 Malcolm  
 6,824,003 B1 11/2004 Wong  
 6,886,707 B2 5/2005 Giraud  
 6,905,044 B1 6/2005 Russo et al.  
 6,929,143 B2 8/2005 Mazzarolo  
 D516,424 S 3/2006 Schweigert et al.  
 7,111,749 B1\* 9/2006 Akers ..... B65D 17/502  
 220/254.1  
 7,134,566 B2 11/2006 Smith et al.  
 7,178,685 B2 2/2007 Hidalgo et al.  
 7,185,781 B2 3/2007 Pitts  
 D570,686 S \* 6/2008 Hollis ..... D9/447  
 7,591,393 B2 9/2009 Crudgington, Jr.  
 7,837,056 B2 11/2010 Stribling et al.  
 D629,298 S \* 12/2010 Wong ..... D9/447  
 D635,855 S 4/2011 Smith et al.  
 D659,008 S 5/2012 Gately et al.  
 D666,052 S \* 8/2012 Trombly ..... D7/392.1  
 8,235,236 B2 8/2012 Zuares et al.  
 D671,001 S 11/2012 Wisniewski et al.  
 D675,524 S 2/2013 Bickert et al.  
 8,381,935 B1\* 2/2013 Buck ..... A47G 19/2205  
 220/212

8,789,718 B1\* 7/2014 Daniel ..... B65D 43/0212  
 215/235  
 D716,141 S \* 10/2014 Rush ..... D9/447  
 D737,139 S \* 8/2015 Sokoly ..... D9/435  
 2003/0024929 A1\* 2/2003 Smith ..... B65D 43/0212  
 220/253  
 2003/0089714 A1 5/2003 Dart et al.  
 2005/0092749 A1\* 5/2005 Durdon ..... B65D 43/24  
 220/254.3  
 2005/0173443 A1 8/2005 Crudgington, Jr.  
 2006/0071008 A1 4/2006 Sadlier  
 2007/0045316 A1 3/2007 Arnljots  
 2007/0051723 A1 3/2007 Naesje  
 2007/0131691 A1\* 6/2007 Evans ..... B65D 43/0212  
 220/254.5  
 2008/0105696 A1 5/2008 Dart et al.  
 2009/0065518 A1 3/2009 Carnevali  
 2009/0212061 A1 8/2009 Naesje  
 2009/0266828 A1 10/2009 Cai et al.  
 2009/0283535 A1\* 11/2009 Mesalic ..... B65D 43/0212  
 220/709  
 2009/0308882 A1 12/2009 Hundley  
 2010/0044386 A1 2/2010 Samson  
 2010/0096395 A1\* 4/2010 Miller ..... B65D 47/06  
 220/711  
 2010/0133272 A1 6/2010 Whitaker et al.  
 2011/0049171 A1 3/2011 Morgan  
 2014/0319138 A1\* 10/2014 Polt ..... B65D 43/065  
 220/254.3  
 2015/0191282 A1\* 7/2015 Crudgington ..... B29C 43/021  
 220/254.7

OTHER PUBLICATIONS

Google Search [Disposable Cup Lids]: Site Visited Dec. 8, 2015. Available from Internet URL: [https://www.google.com/search?q=disposable+cup+lids&biw=2021&bih=1163&source=lnms&tbm=isch&sa=X&sqi=2&ved=0ahUKEwiflJjvkb7JAhVG8mMKHeDcBVAQ\\_AUIBygC&dpr=0.95#imgrc=oVOrl7K8aKHRbM%3A.\\*](https://www.google.com/search?q=disposable+cup+lids&biw=2021&bih=1163&source=lnms&tbm=isch&sa=X&sqi=2&ved=0ahUKEwiflJjvkb7JAhVG8mMKHeDcBVAQ_AUIBygC&dpr=0.95#imgrc=oVOrl7K8aKHRbM%3A.*)  
 Dart Container Lids: Site Visited Dec. 8, 2015. Available from Internet URL: [https://www.dartcontainer.com/products/foodservice-catalog/#filter=itemType|Lid.\\*](https://www.dartcontainer.com/products/foodservice-catalog/#filter=itemType|Lid.*)

\* cited by examiner

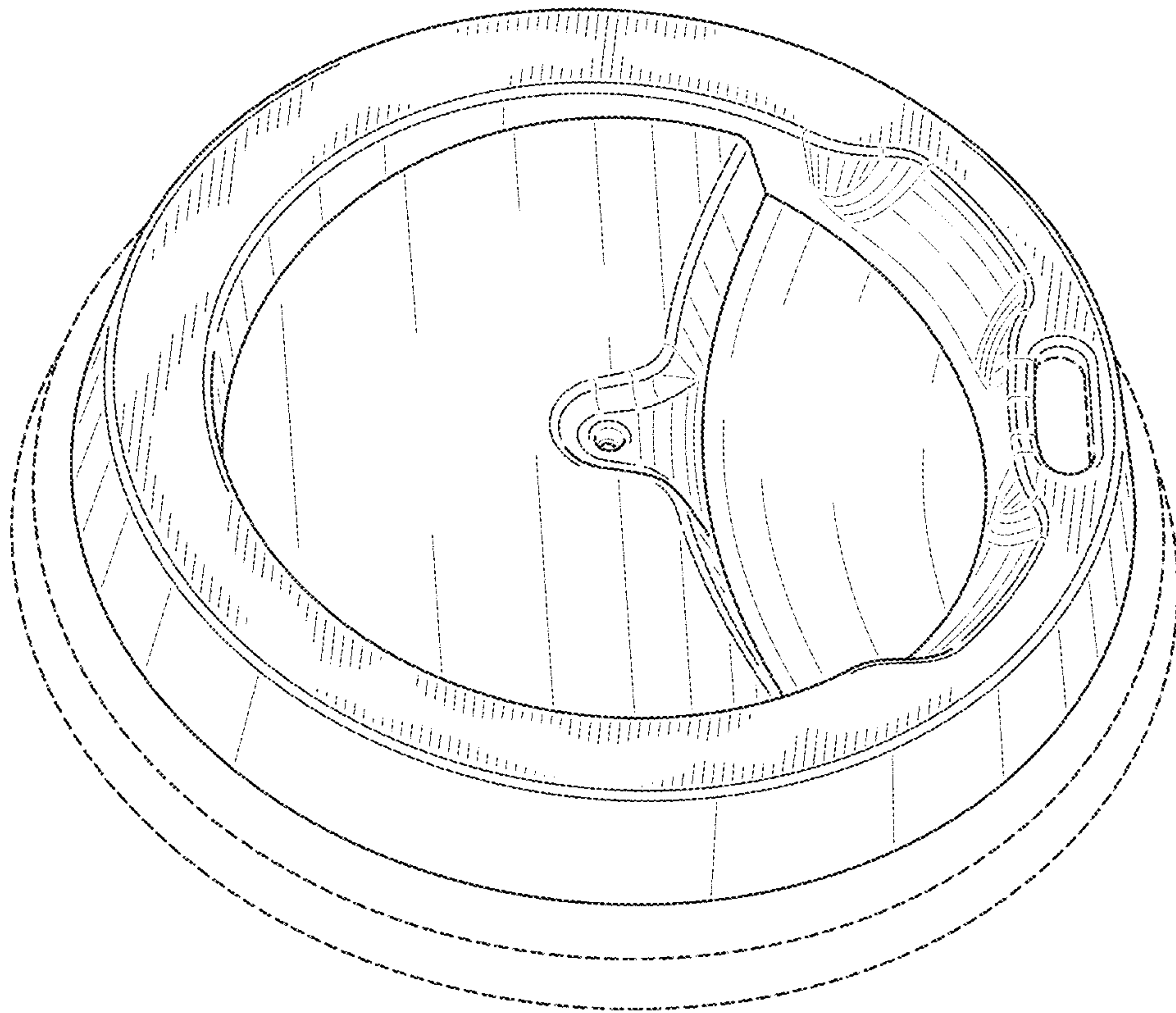


FIG. 1



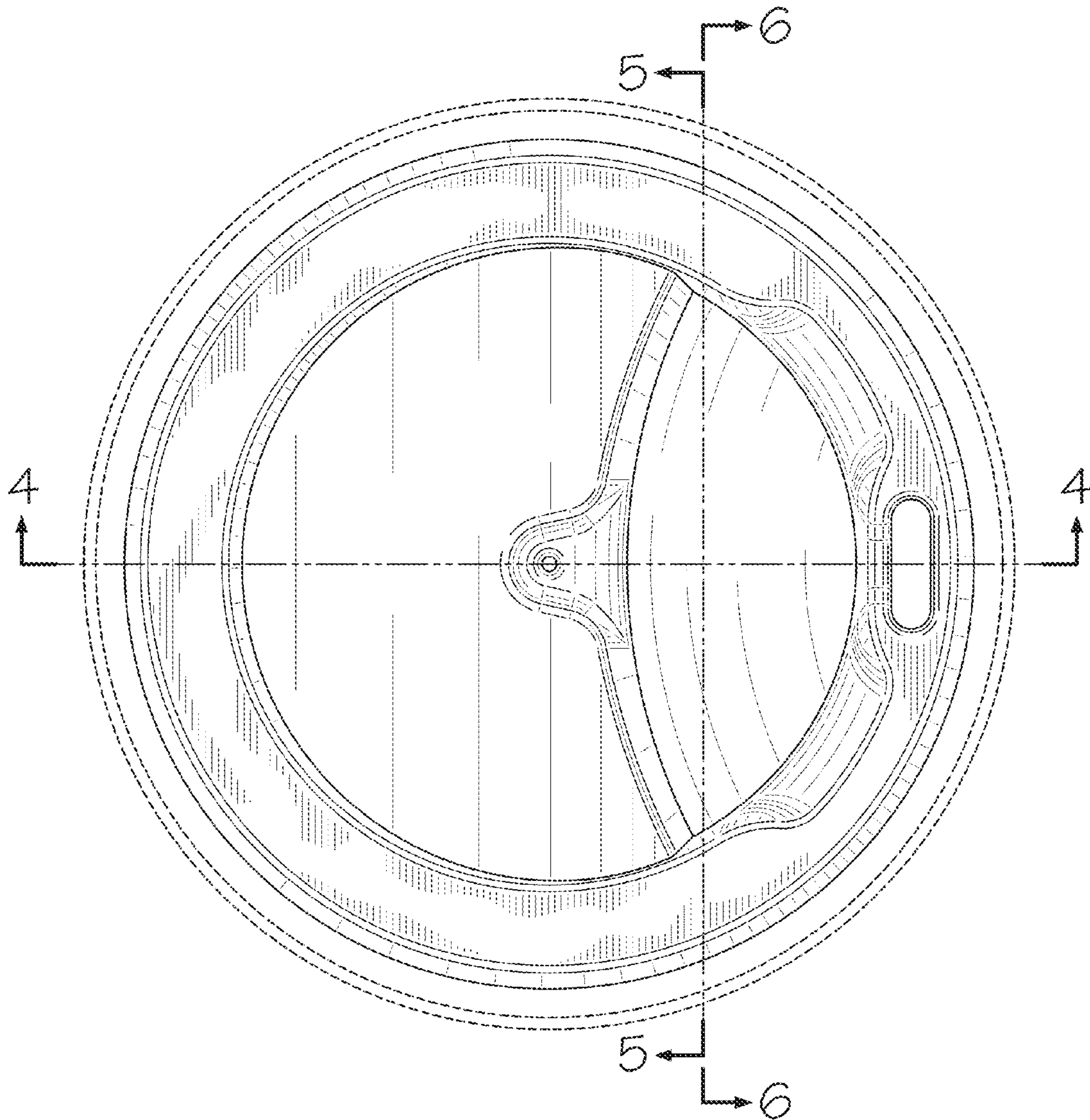


FIG. 2

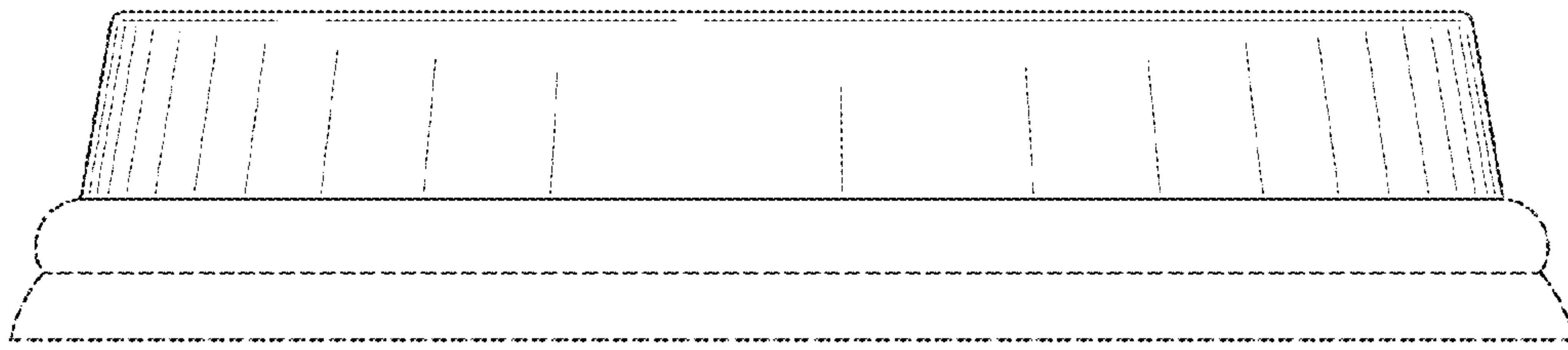


FIG. 3

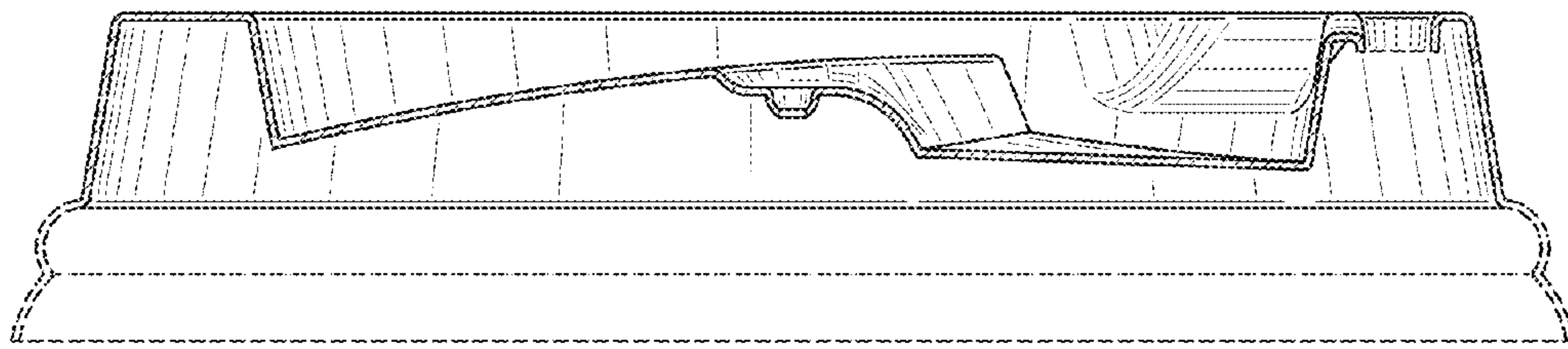


FIG. 4

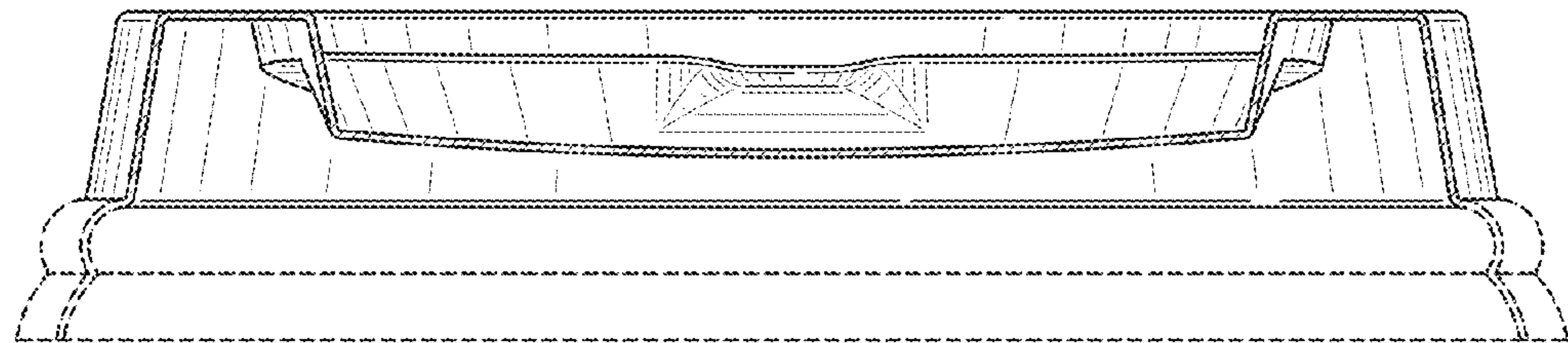


FIG. 5

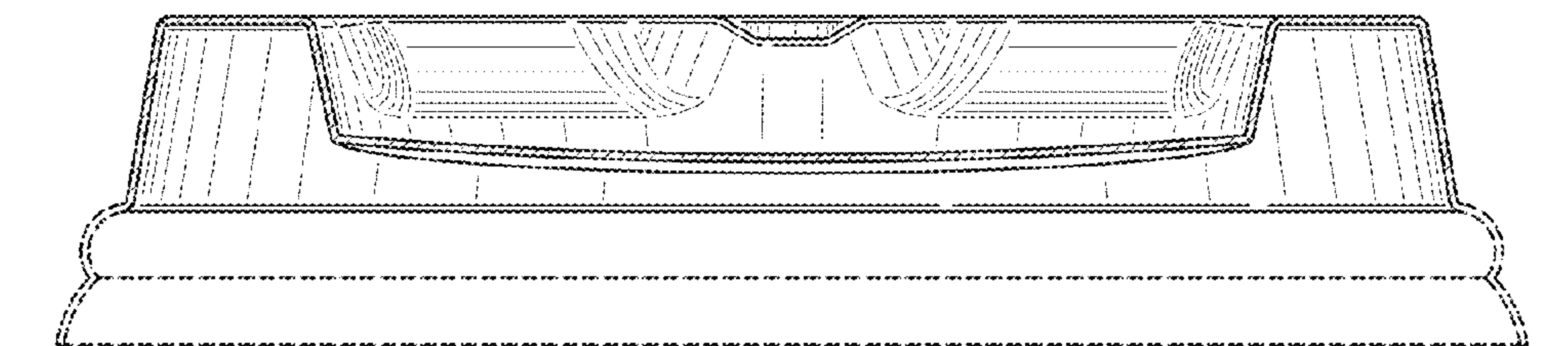


FIG. 6

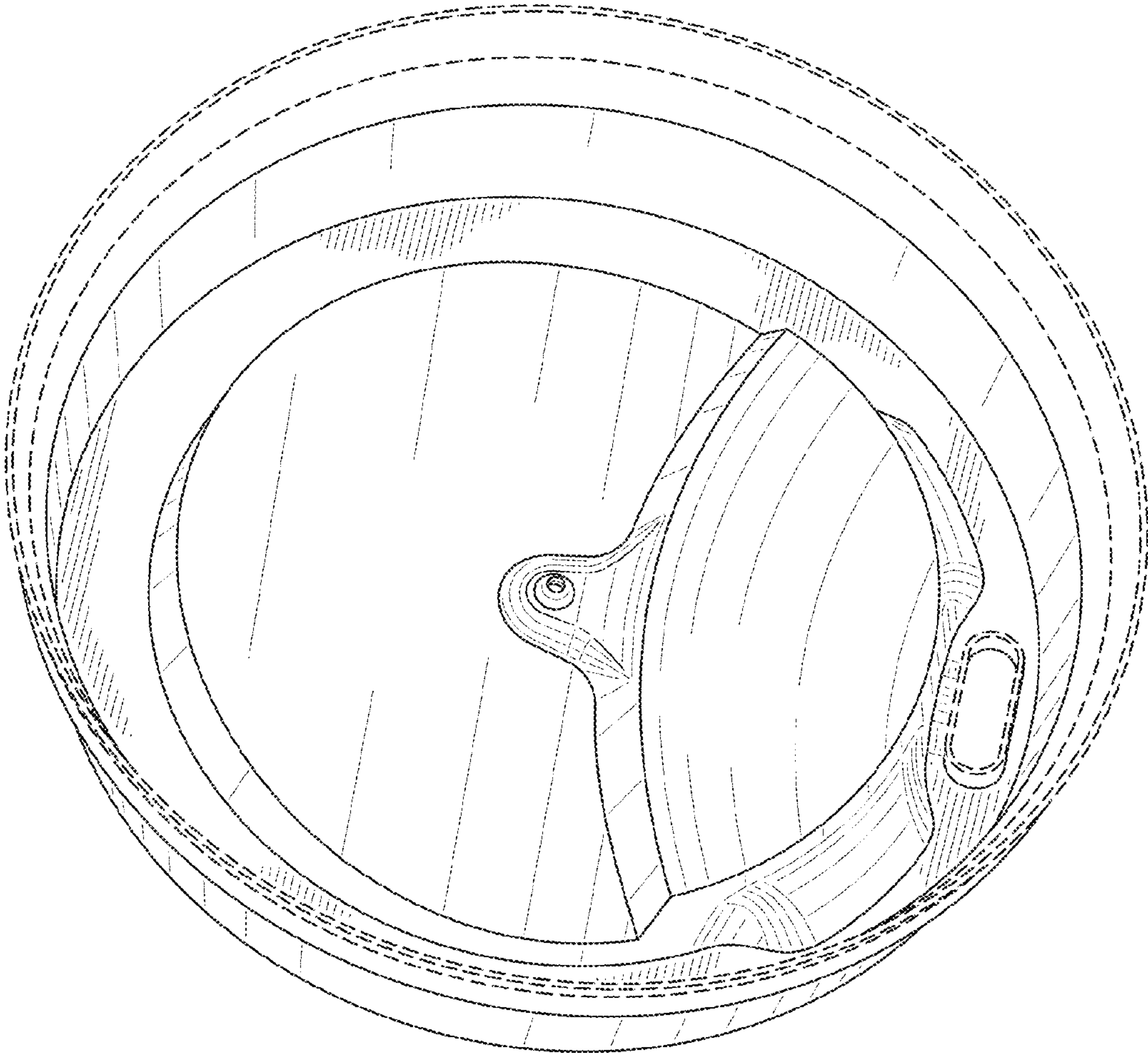


FIG. 7