



US00D752434S

(12) **United States Design Patent**
Willows et al.

(10) **Patent No.:** **US D752,434 S**
(45) **Date of Patent:** **** Mar. 29, 2016**

- (54) **BOTTLE CAP**
- (71) Applicant: **Amphipod, Inc.**, Seattle, WA (US)
- (72) Inventors: **Keith S. Willows**, Seattle, WA (US);
June A. Angus, Seattle, WA (US);
Antonio Del Rosario, Bellevue, WA (US)
- (73) Assignee: **Amphipod, Inc.**, Seattle, WA (US)
- (**) Term: **14 Years**
- (21) Appl. No.: **29/496,225**
- (22) Filed: **Jul. 10, 2014**
- (51) **LOC (10) Cl.** **09-07**
- (52) **U.S. Cl.**
USPC **D9/447; D9/453**
- (58) **Field of Classification Search**
USPC D7/300, 316, 387, 396.2, 397, 510;
D8/352, 399; D9/420, 428, 429,
D9/434-436, 440, 443, 439, 444-447, 449,
D9/450-454, 456, 499, 503, 504, 549, 715,
D9/717, 718, 728, 738, 741; D23/260,
D23/269, 390; D24/224; 99/375; 215/252;
220/212, 371, 530, 608, 711, 713, 839;
426/394
CPC B65D 51/1688
See application file for complete search history.

- D582,767 S * 12/2008 Batton D9/447
- D619,002 S * 7/2010 Casey D9/447
- D632,171 S * 2/2011 Grajcar D9/429
- D656,820 S * 4/2012 Willows D9/447
- D666,096 S * 8/2012 Cummings D9/447
- D679,590 S * 4/2013 Stull, Sr. D9/452
- D679,592 S * 4/2013 Stull, Sr. D9/452
- D691,420 S * 10/2013 McIntire D7/510
- D721,963 S * 2/2015 Finkbohner D9/453
- D723,917 S * 3/2015 Koffel D9/447

OTHER PUBLICATIONS

Amazon. Amphipod Hydroform Jett Squeeze Cap. Jan. 6, 2015 [online], [site visited Nov. 3, 2015]. Available from Internet, <URL:http://www.amazon.com/Amphipod-Hydroform-Jett-Squeeze-Cap/dp/B012X0ZD9W>.*

* cited by examiner

Primary Examiner — Robert M Spear
Assistant Examiner — Darcey E Heflin

(74) *Attorney, Agent, or Firm* — Lowe Graham Jones PLLC

CLAIM

(57) We claim the ornamental design for a bottle cap, as shown and described.

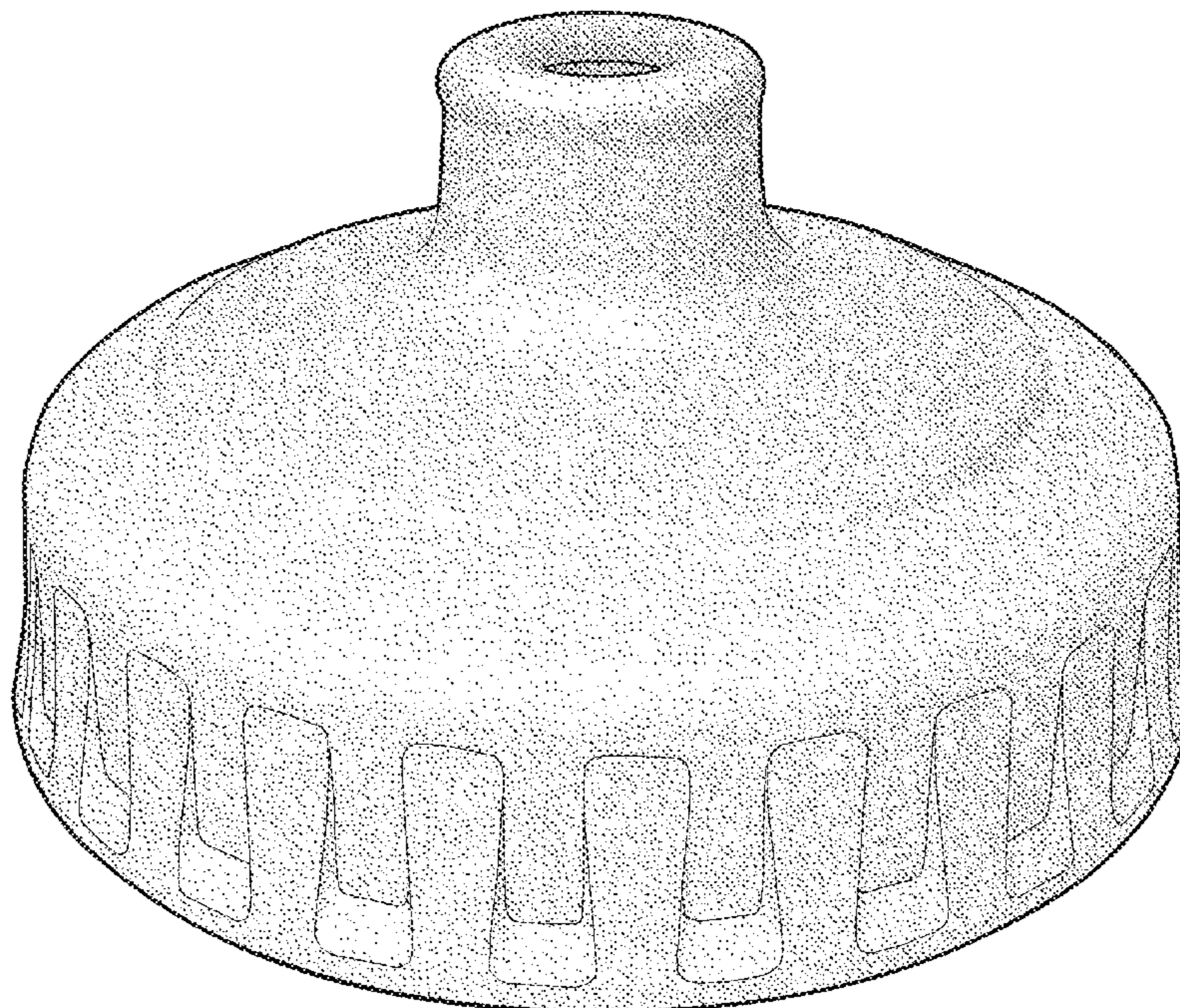
DESCRIPTION

FIG. 1 is a top perspective view of a bottle cap, showing our new design.
FIG. 2 is a top plan view of the bottle cap; and,
FIG. 3 is a front plan view of the bottle cap, in which the rear, left side, and right side views are identical.
The bottom view is unornamented and not shown.

1 Claim, 2 Drawing Sheets

(56) **References Cited**
U.S. PATENT DOCUMENTS

- D443,513 S * 6/2001 Goettner D9/452
- D445,681 S * 7/2001 Kimble D9/434



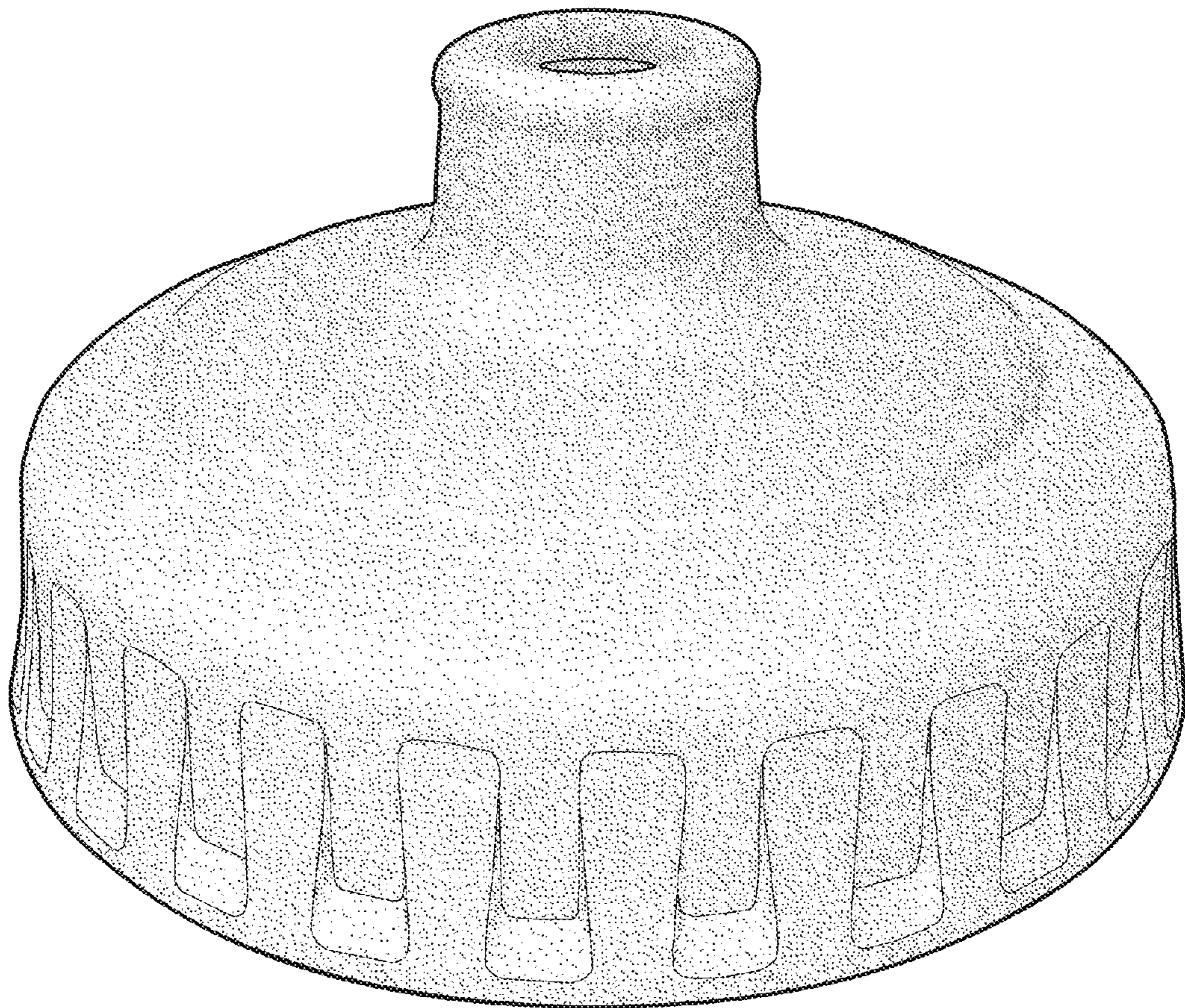


Figure 1

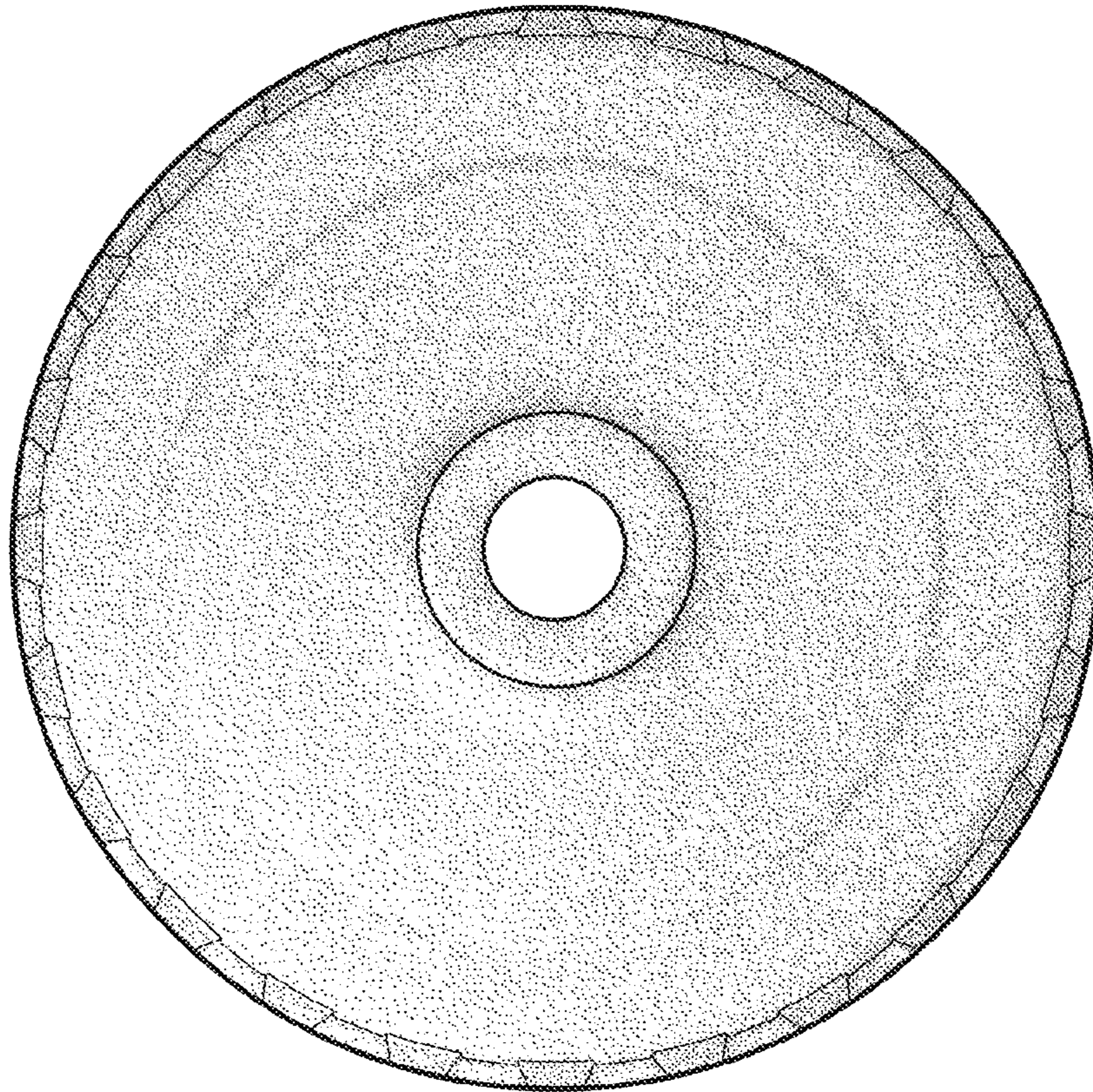


Figure 2

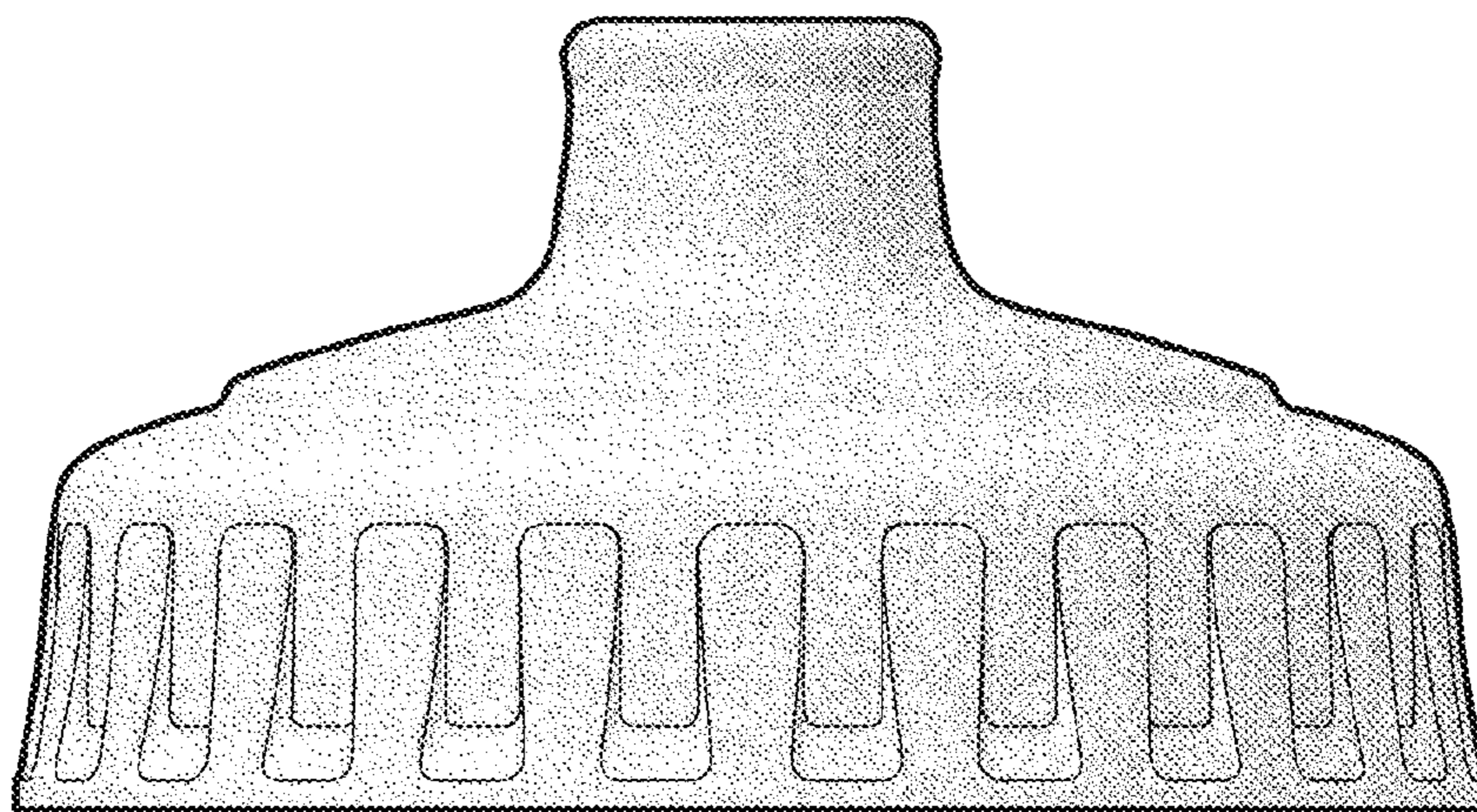


Figure 3