

US00D752432S

(12) **United States Design Patent**
Brown

(10) **Patent No.:** **US D752,432 S**
(45) **Date of Patent:** **** Mar. 29, 2016**

(54) **FOODSTUFF PACKAGE**
(71) Applicant: **Burger Fuel International Limited,**
Auckland (NZ)
(72) Inventor: **Carl Robert Brown,** Auckland (NZ)
(73) Assignee: **Burger Fuel International Limited,**
Auckland (NZ)
(**) Term: **14 Years**
(21) Appl. No.: **29/497,583**
(22) Filed: **Jul. 25, 2014**

(30) **Foreign Application Priority Data**
Jan. 29, 2014 (NZ) 418453
(51) **LOC (10) Cl.** **09-03**
(52) **U.S. Cl.**
USPC **D9/430; D9/433**
(58) **Field of Classification Search**
USPC D9/414-419, 420-425, 428, 429-435,
D9/600, 652, 667-679, 708, 719, 734;
D3/203.2, 272, 273, 294, 302-304;
D7/538-542, 601, 602, 629
CPC B65D 5/18; B65D 5/20; B65D 5/24;
B65D 5/28; B65D 5/30; B65D 5/42; B65D
5/46; B65D 5/70; B65D 5/74; B65D 5/546;
B65D 5/2038; B65D 5/2052; B65D 5/48018;
B65D 5/48022; B65D 5/665; B65D 25/00;
B65D 2585/366; B65D 85/00
See application file for complete search history.

(56) **References Cited**
U.S. PATENT DOCUMENTS
D34,065 S * 2/1901 Crane 206/557
3,446,416 A * 5/1969 Epstein A47G 21/001
206/557
3,610,512 A * 10/1971 Hermalin A47G 21/001
229/117
D251,227 S * 3/1979 Mathison D7/550.1

4,938,515 A * 7/1990 Fazio A41D 13/082
2/21
D481,944 S * 11/2003 Kotto D9/431
D493,108 S * 7/2004 Burr D9/433
D496,587 S * 9/2004 Burr D9/433
D498,141 S * 11/2004 Burr D9/433
D510,703 S * 10/2005 Bozlee D9/433
D566,540 S * 4/2008 Llewellyn D9/414
7,762,450 B2 * 7/2010 Oliveira B65D 5/02
229/107
8,225,985 B2 * 7/2012 Oliveira B65D 5/02
229/107
D699,104 S * 2/2014 Durham D9/418

* cited by examiner

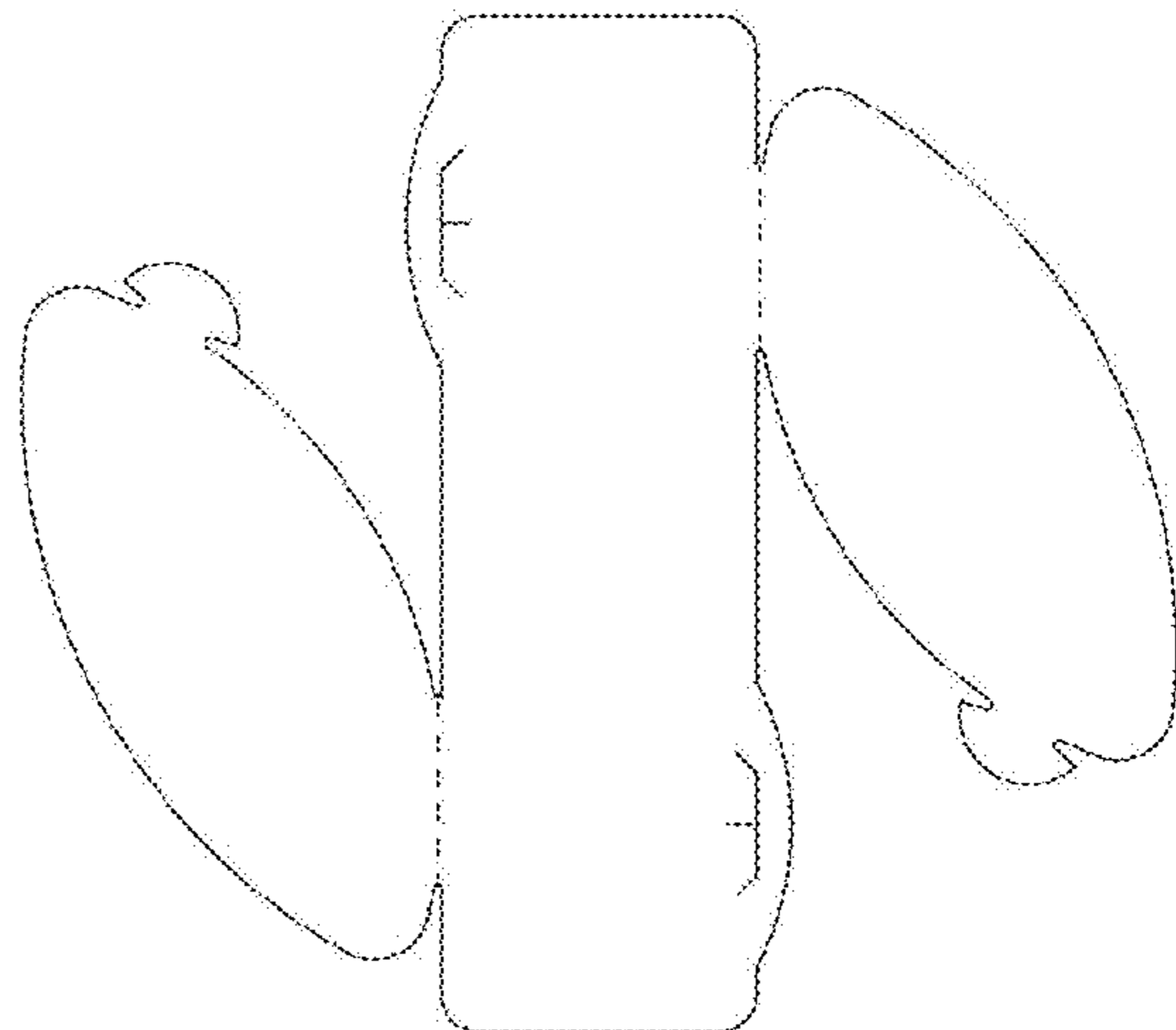
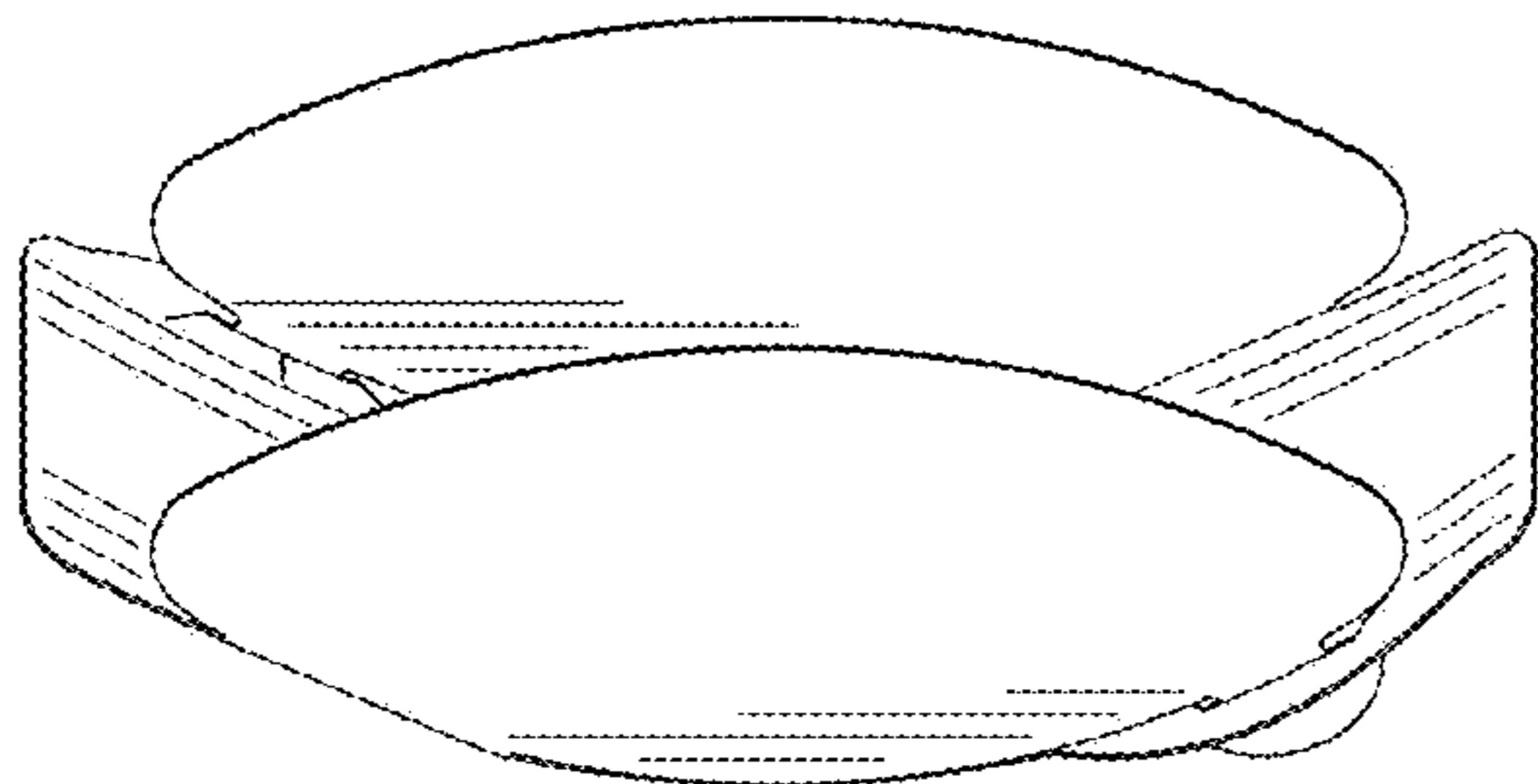
Primary Examiner — Susan Bennett Hattan
Assistant Examiner — Vy Koenig
(74) *Attorney, Agent, or Firm* — Muncy, Geissler, Olds &
Lowe, P.C.

(57) **CLAIM**
The ornamental design for a foodstuff package, as shown and
described.

DESCRIPTION

FIG. 1 is a front perspective view of the foodstuff package
according to the present invention;
FIG. 2 is a front view of the foodstuff package of FIG. 1;
FIG. 3 is a rear view of the foodstuff package of FIG. 1;
FIG. 4 is a top view of the foodstuff package of FIG. 1;
FIG. 5 is a bottom view of the foodstuff package of FIG. 1;
FIG. 6 is a left side view of the foodstuff package of FIG. 1;
FIG. 7 is a right side view of the foodstuff package of FIG. 1;
and,
FIG. 8 is a top view of the foodstuff package of FIG. 1 in an
unassembled state.
The broken line showing is for the purpose of illustrating
environmental structure and forms no part of the claimed the
design.

1 Claim, 5 Drawing Sheets



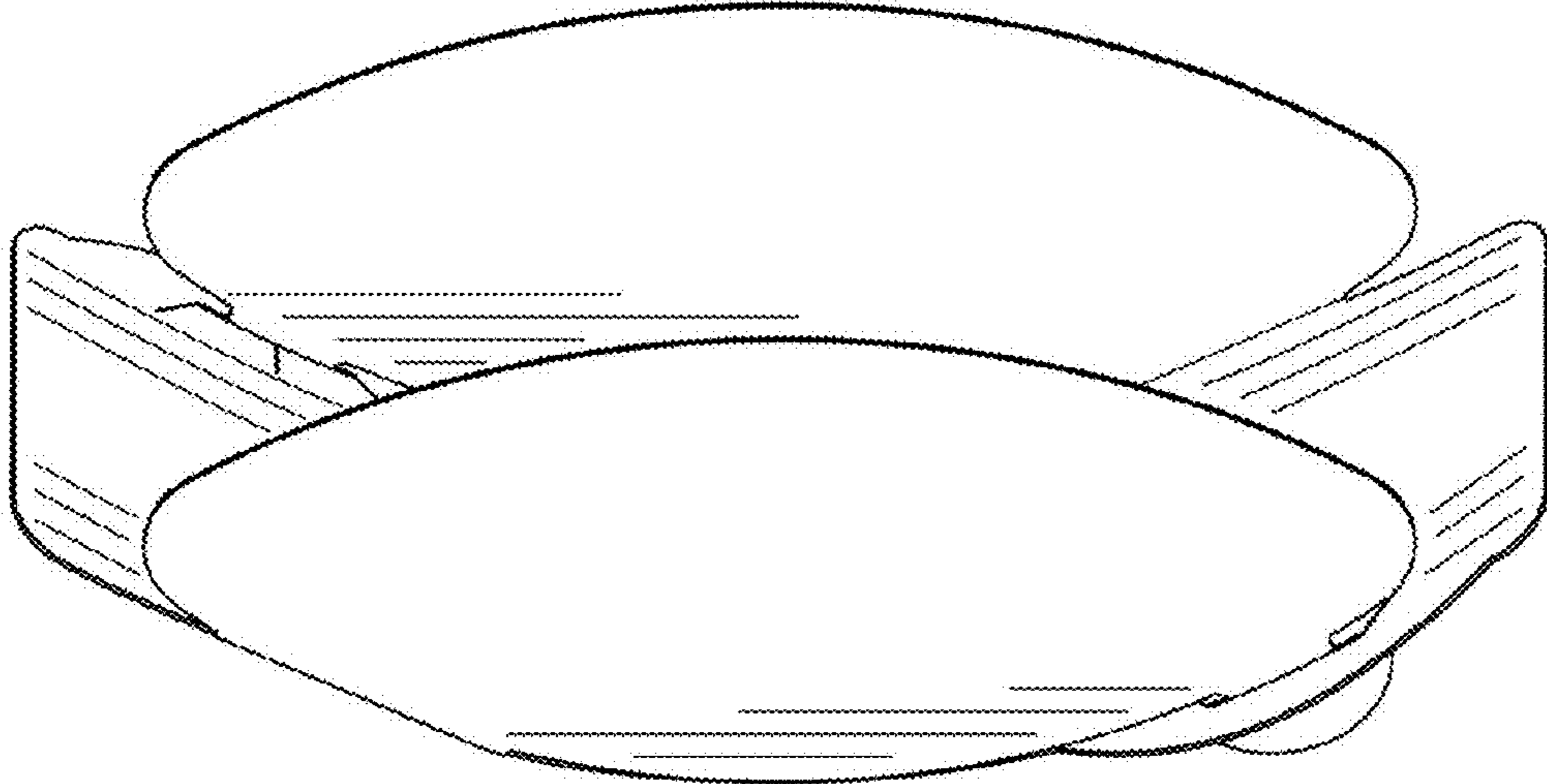


FIG. 1

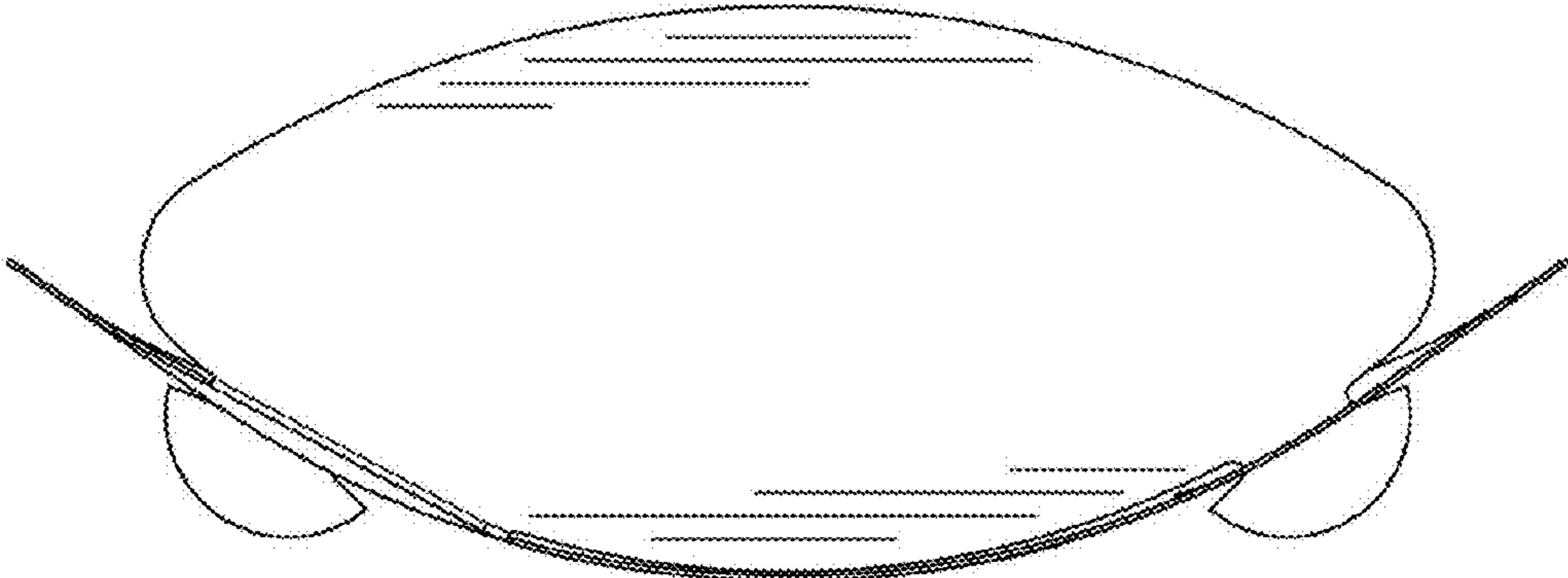


FIG. 2

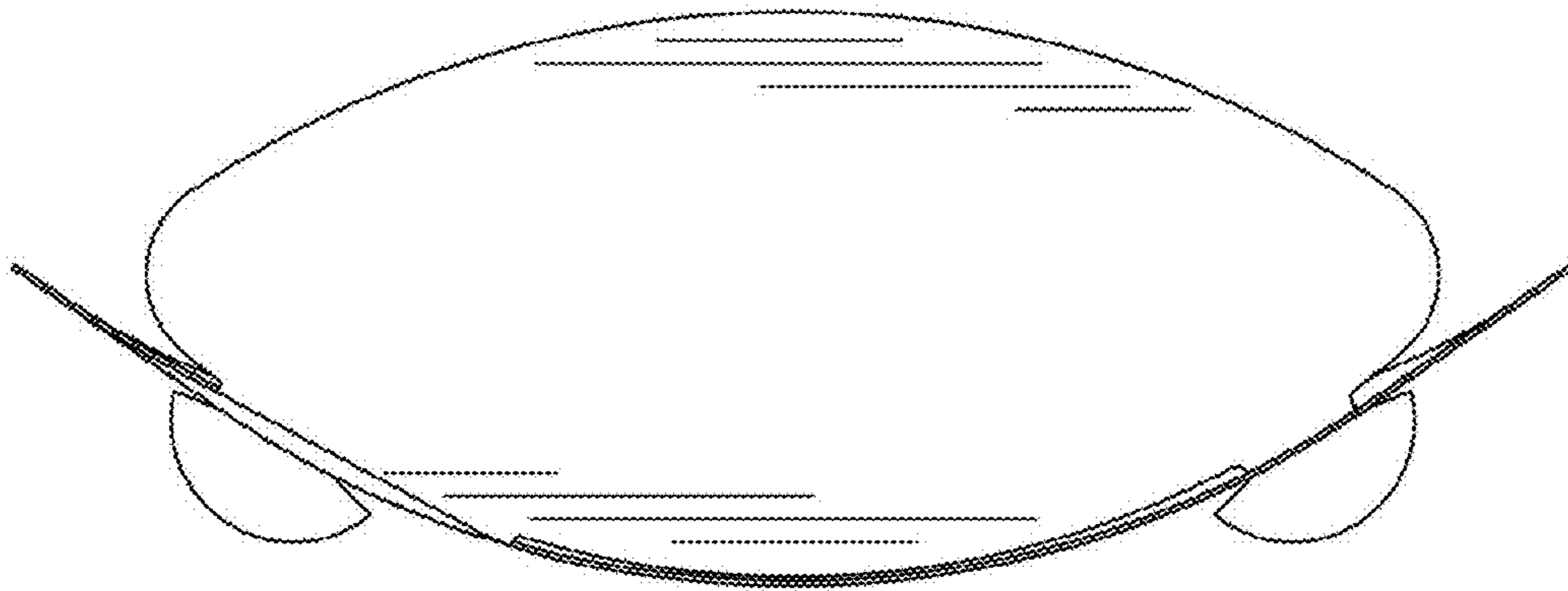


FIG. 3

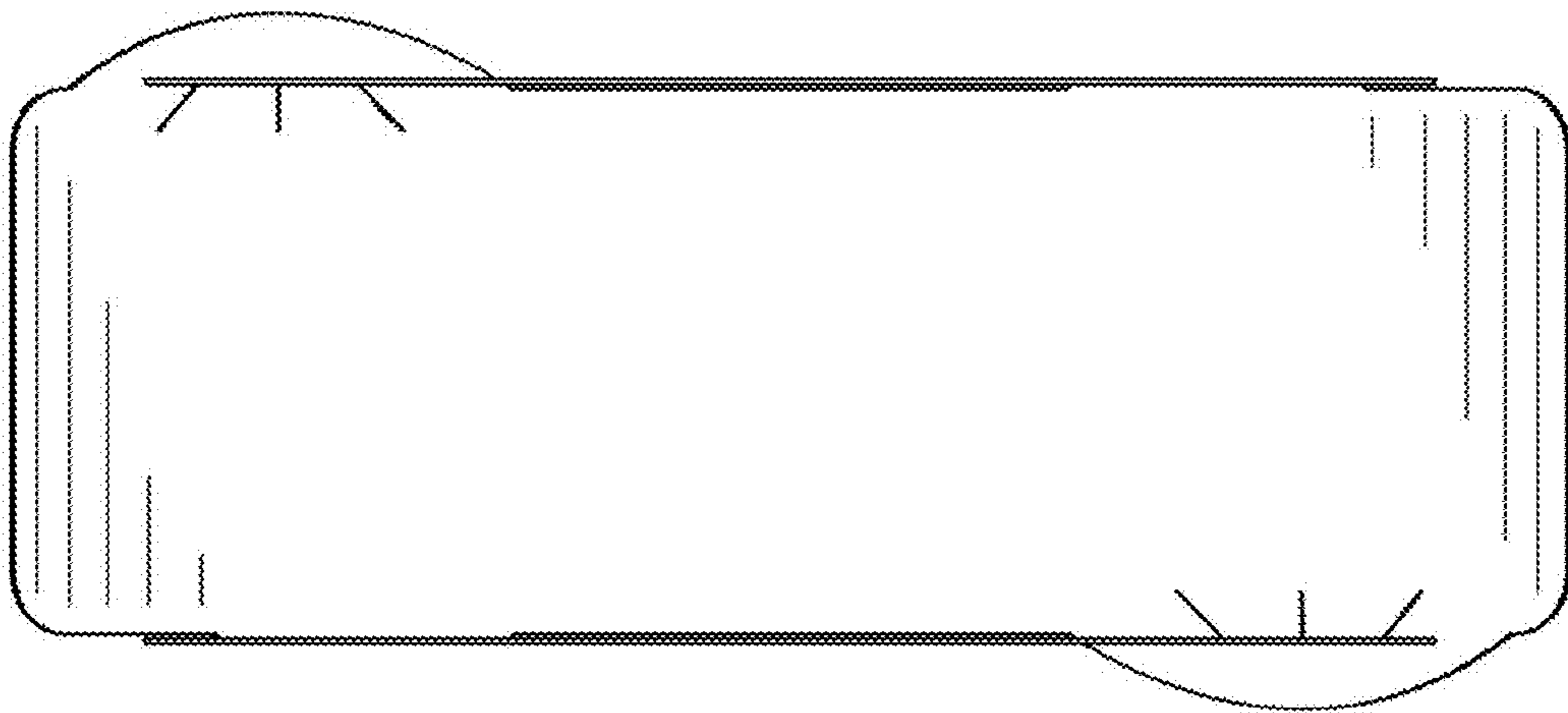


FIG. 4

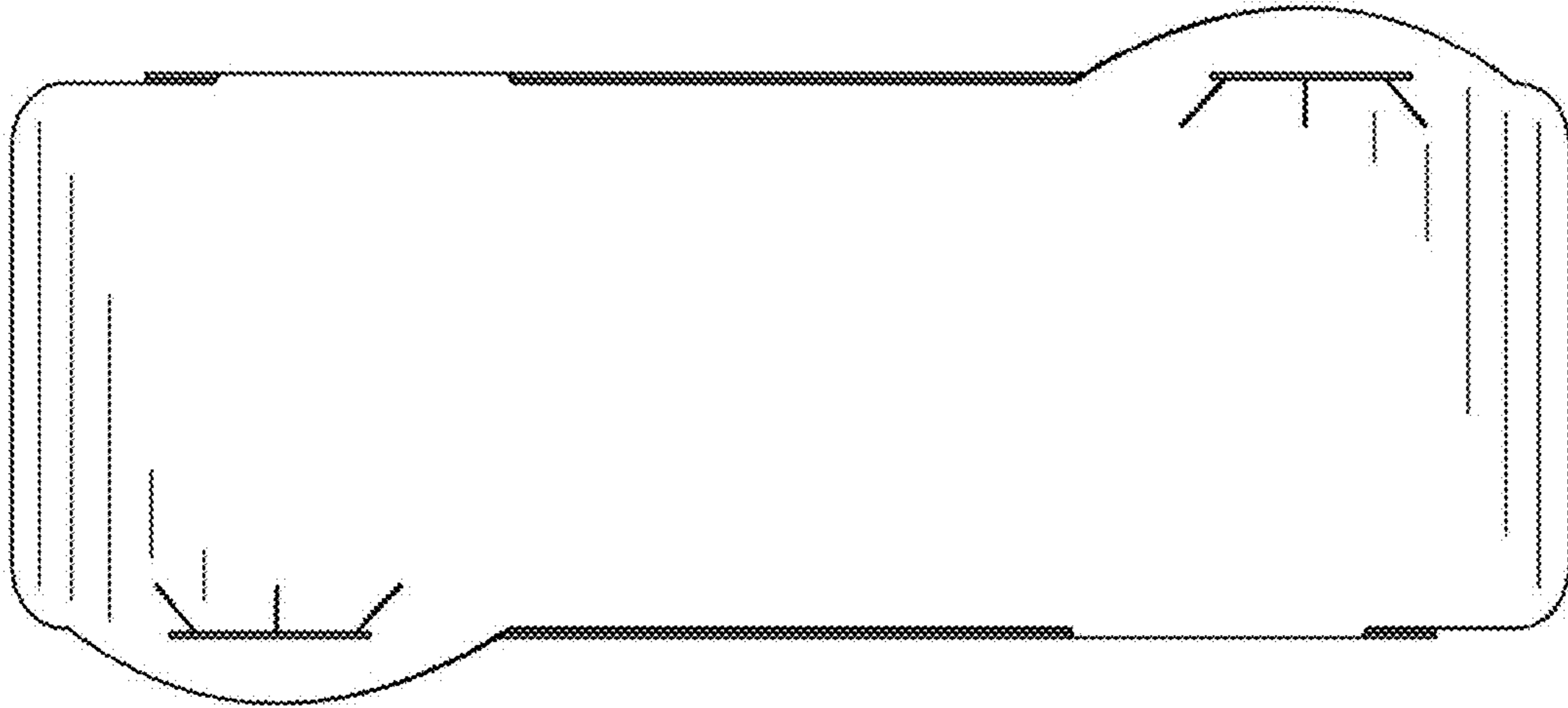


FIG. 5

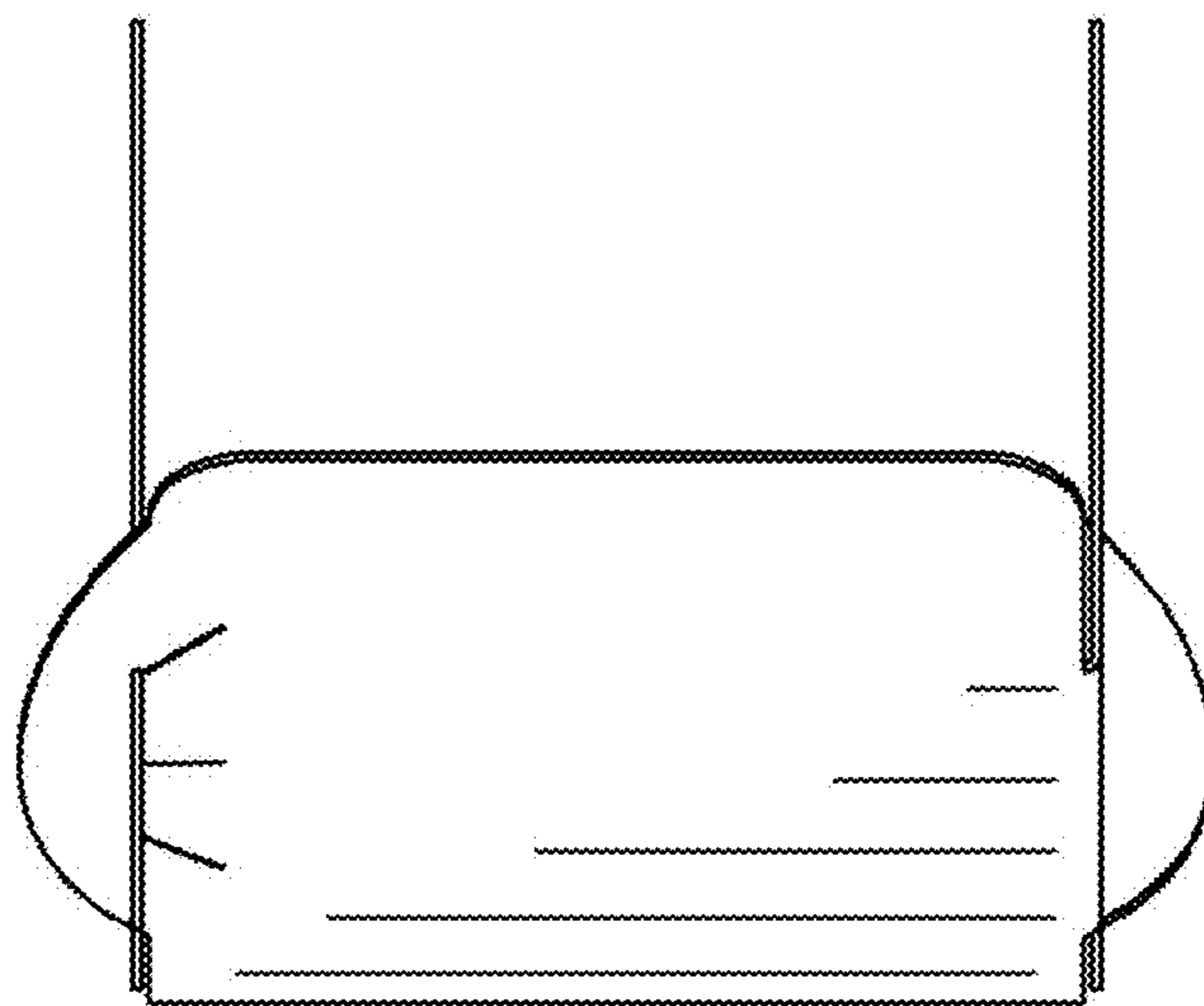


FIG. 6

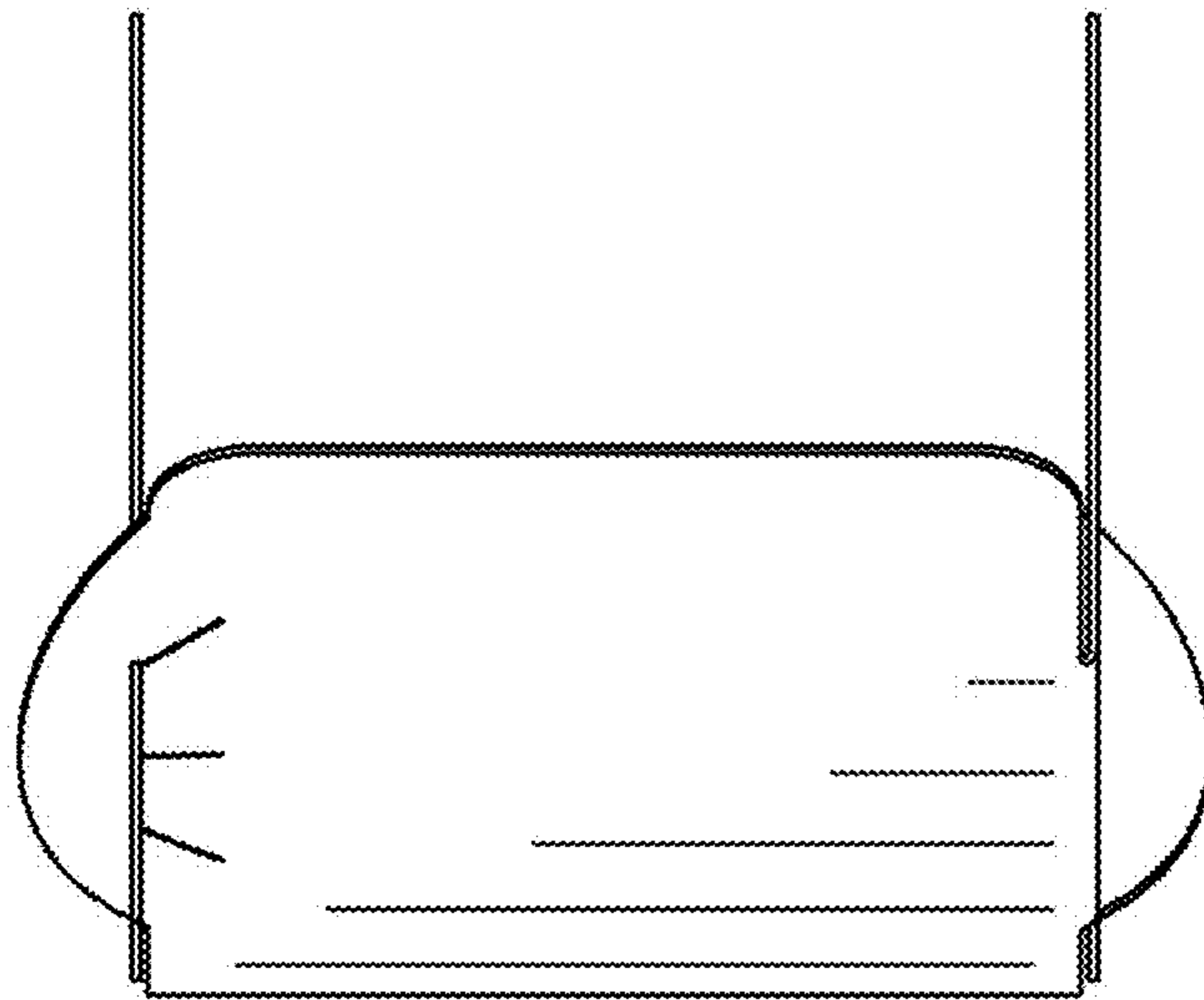


FIG. 7.

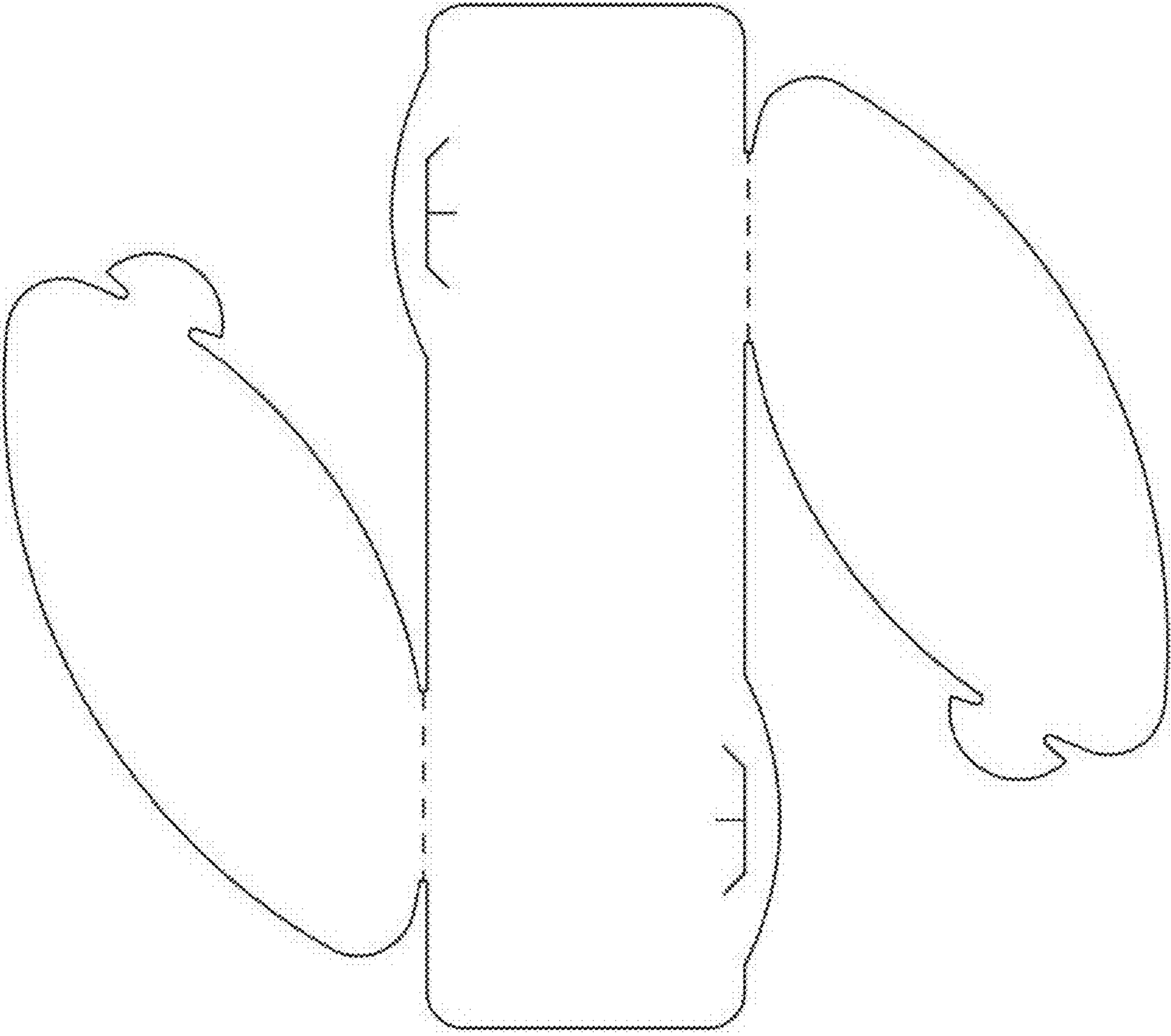


FIG. 8