



US00D752430S

(12) **United States Design Patent**
Stevenson et al.

(10) **Patent No.:** US D752,430 S
(45) **Date of Patent:** ** Mar. 29, 2016

(54) **DIVIDED CLAM SHELL CONTAINER**

(71) Applicant: **F.D.S. Manufacturing Company**,
Pomona, CA (US)

(72) Inventors: **Kevin T. Stevenson**, Upland, CA (US);
Theodore M. Behrmann, Salinas, CA
(US)

(73) Assignee: **F.D.S. Manufacturing Company**,
Pomona, CA (US)

(**) Term: **14 Years**

(21) Appl. No.: **29/502,031**

(22) Filed: **Sep. 11, 2014**

(51) **LOC (10) Cl.** **09-03**

(52) **U.S. Cl.**
USPC **D9/425**; D9/761; D9/432

(58) **Field of Classification Search**
USPC D9/414, 418, 420, 423, 424, 425, 427,
D9/430, 431, 432, 715, 717, 721, 737, 756,
D9/757, 762, 761; D7/541, 553.1, 601,
D7/602, 629, 630, 701, 703, 707, 708;
220/4.21-4.22, 602-609, 669, 675,
220/835-839
CPC B65D 1/36; B65D 81/3294; B65D 1/24;
B65D 81/3261

See application file for complete search history.

(56) **References Cited**

U.S. PATENT DOCUMENTS

D284,727 S * 7/1986 Gerber D7/357
D305,409 S * 1/1990 Michaud D9/759
5,441,150 A * 8/1995 Ma B65D 25/107
206/485
D372,170 S * 7/1996 Ahern, Jr. D7/543

5,857,583 A * 1/1999 Chantaca A47G 19/065
206/564
D446,085 S * 8/2001 Dretzka D7/629
D665,676 S * 8/2012 Wu D7/629
D688,921 S * 9/2013 Miros D7/629
D689,240 S * 9/2013 Sunder D28/8.1
D691,901 S * 10/2013 Epstein D9/424
D735,028 S * 7/2015 Baillies D9/425
2010/0320212 A1* 12/2010 Cai A47J 47/02
220/526
2012/0031921 A1* 2/2012 Cadiente B65D 43/162
220/835

* cited by examiner

Primary Examiner — Dana L Meyrow
Assistant Examiner — Keith Frank

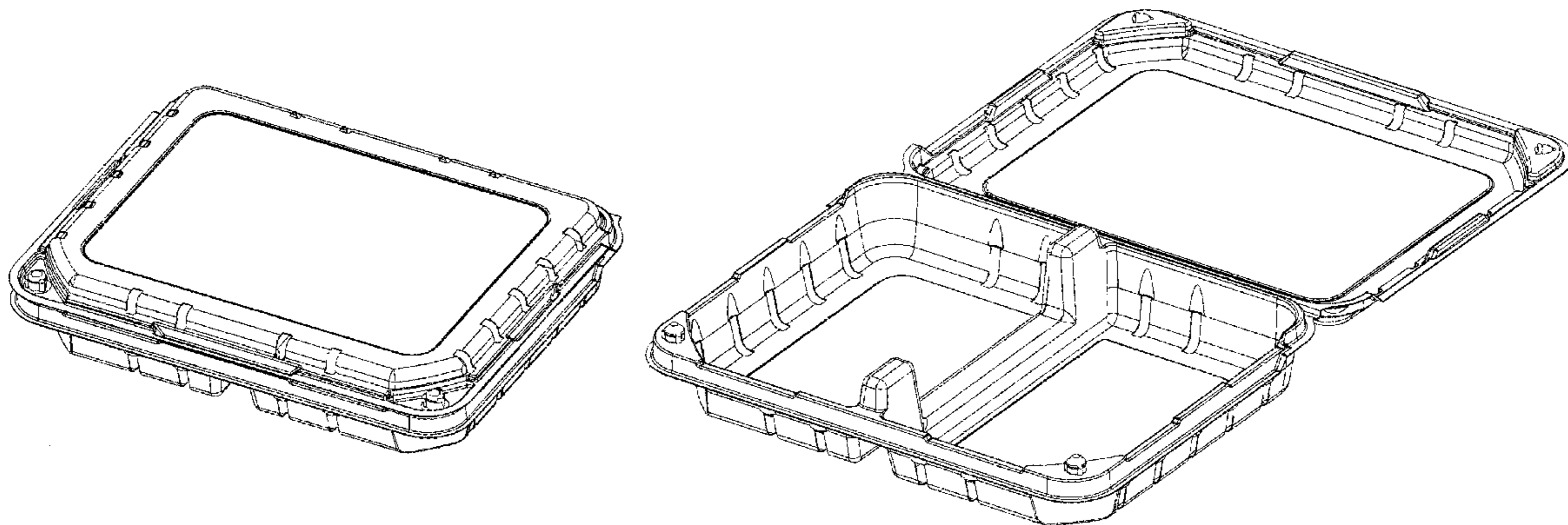
(57) **CLAIM**

The ornamental design for a divided clam shell container, as shown and described.

DESCRIPTION

FIG. 1 is a perspective view of the claimed design for a divided clam shell container shown in a closed state;
FIG. 2 is a front view thereof;
FIG. 3 is a rear view thereof;
FIG. 4 is a left-side view thereof;
FIG. 5 is a right-side view thereof;
FIG. 6 is a top view thereof;
FIG. 7 is a bottom view thereof;
FIG. 8 is a perspective view of the claimed design for a divided clam shell container shown in an open state
FIG. 9 is a front view thereof;
FIG. 10 is a rear view thereof;
FIG. 11 is a left-side view thereof;
FIG. 12 is a right-side view thereof;
FIG. 13 is a top view thereof; and,
FIG. 14 is a bottom view thereof.

1 Claim, 14 Drawing Sheets



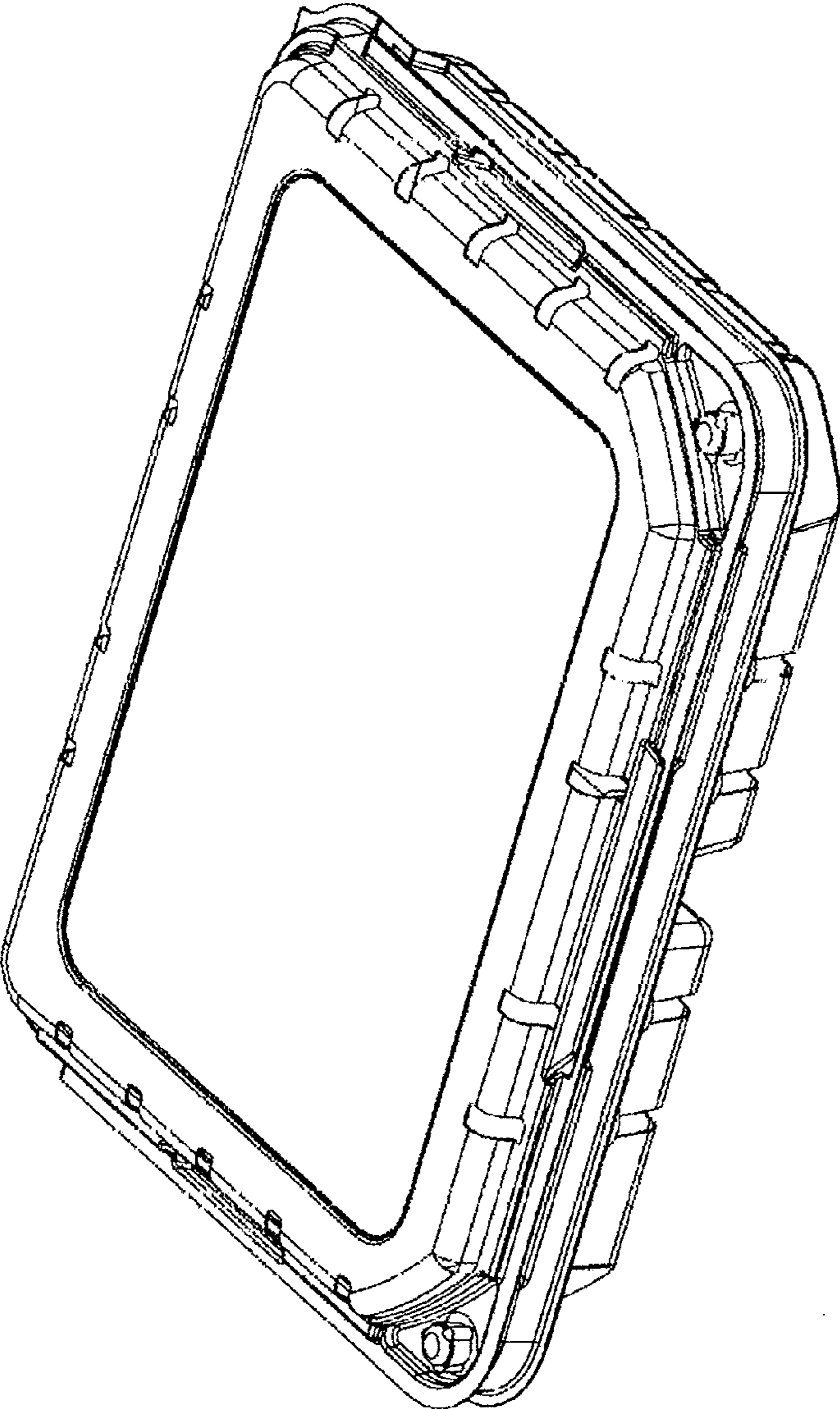


FIG. 1

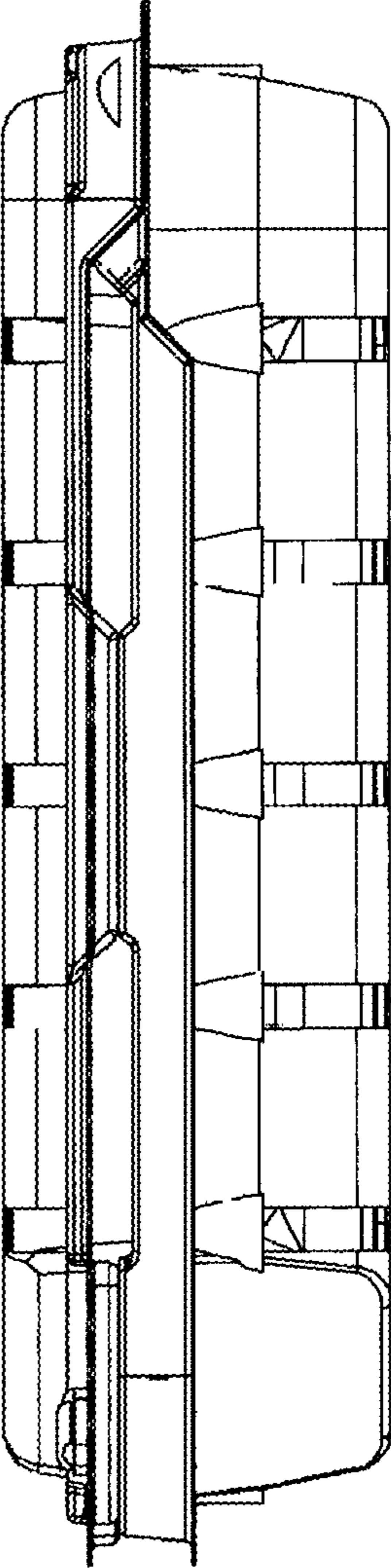


FIG. 2

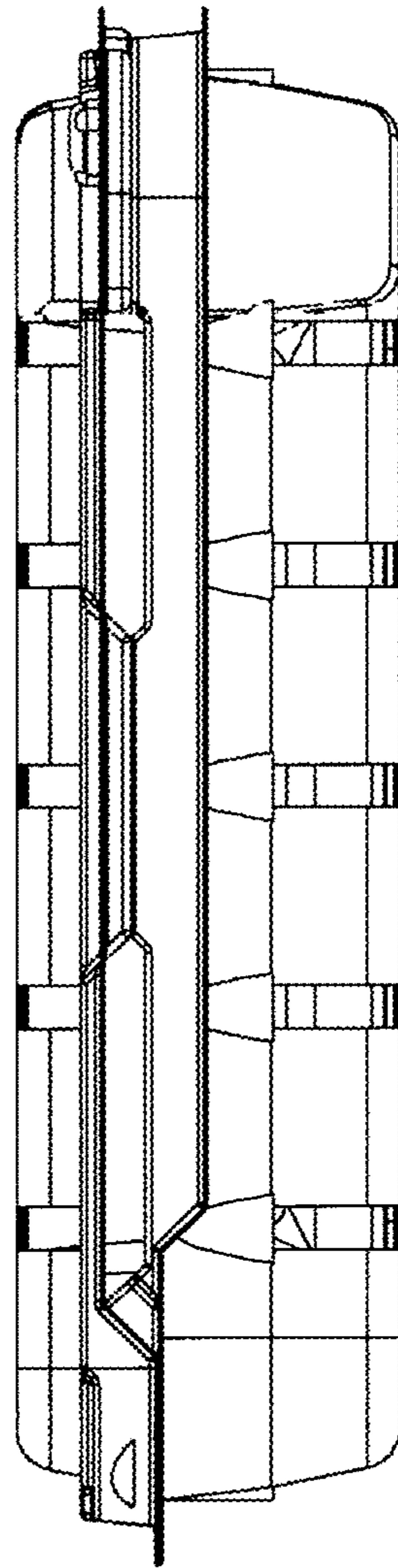


FIG. 3

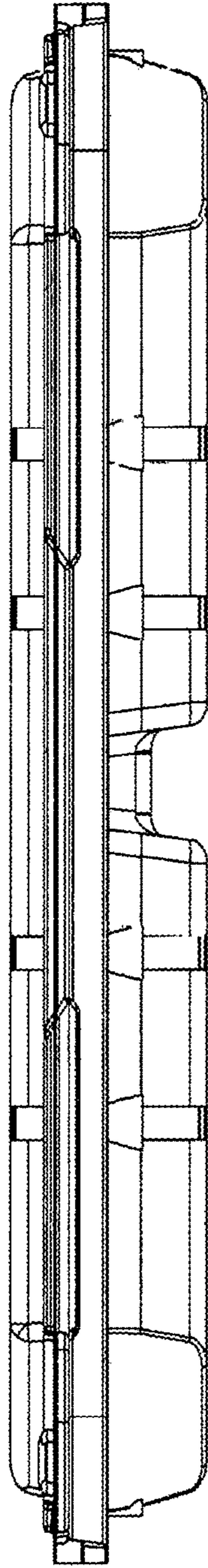


FIG. 4

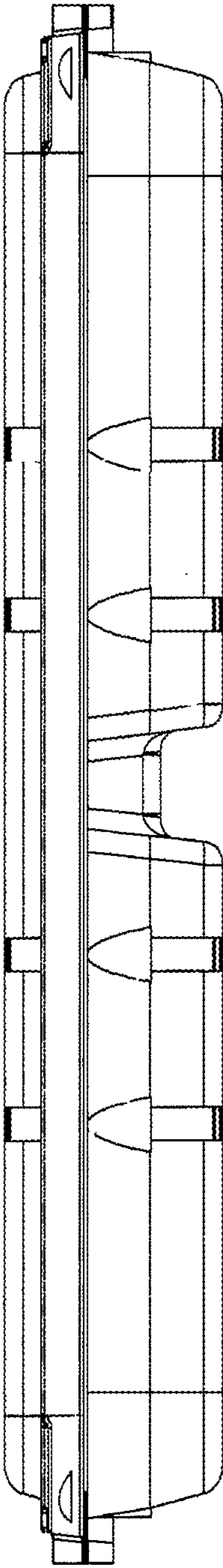


FIG. 5

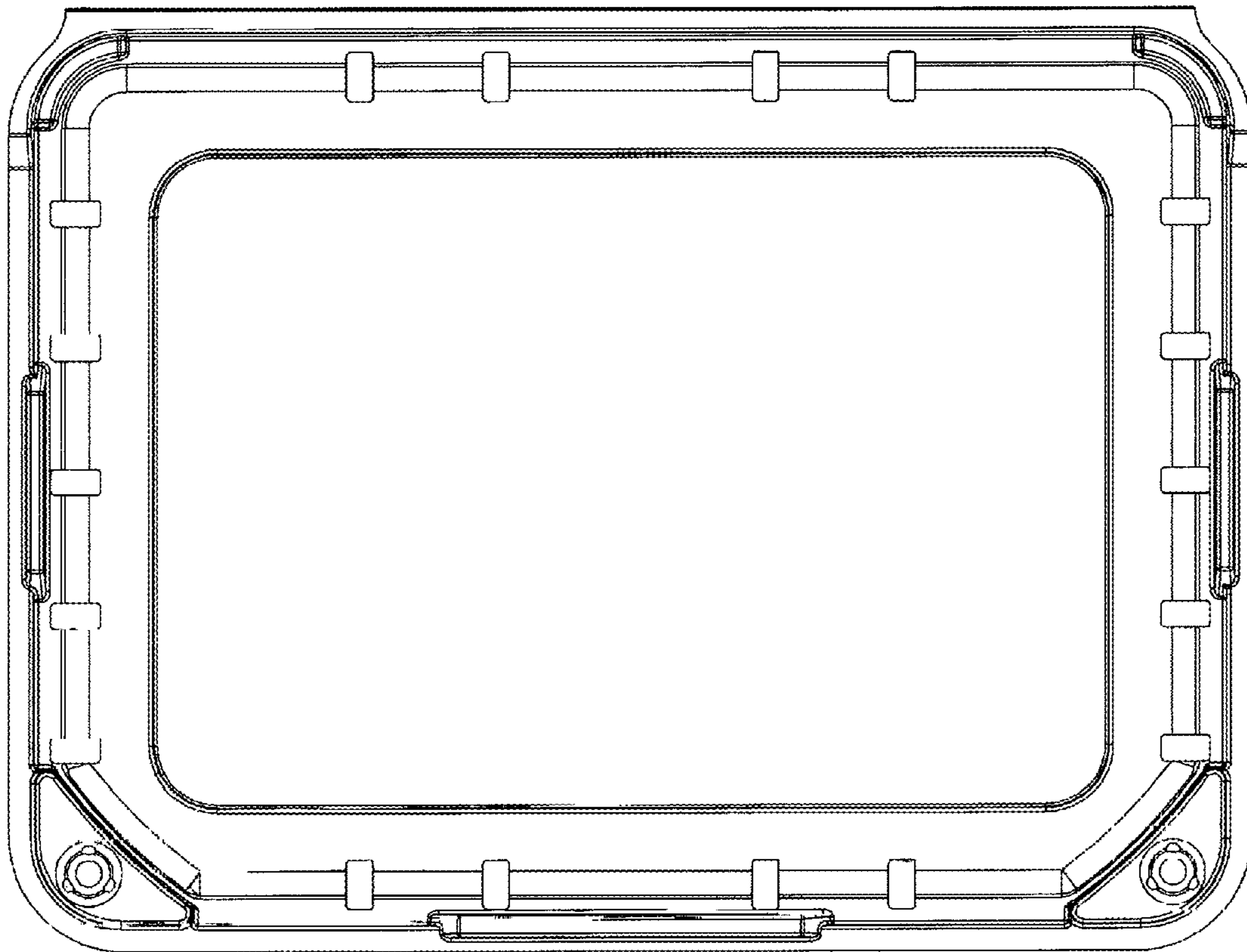


FIG. 6

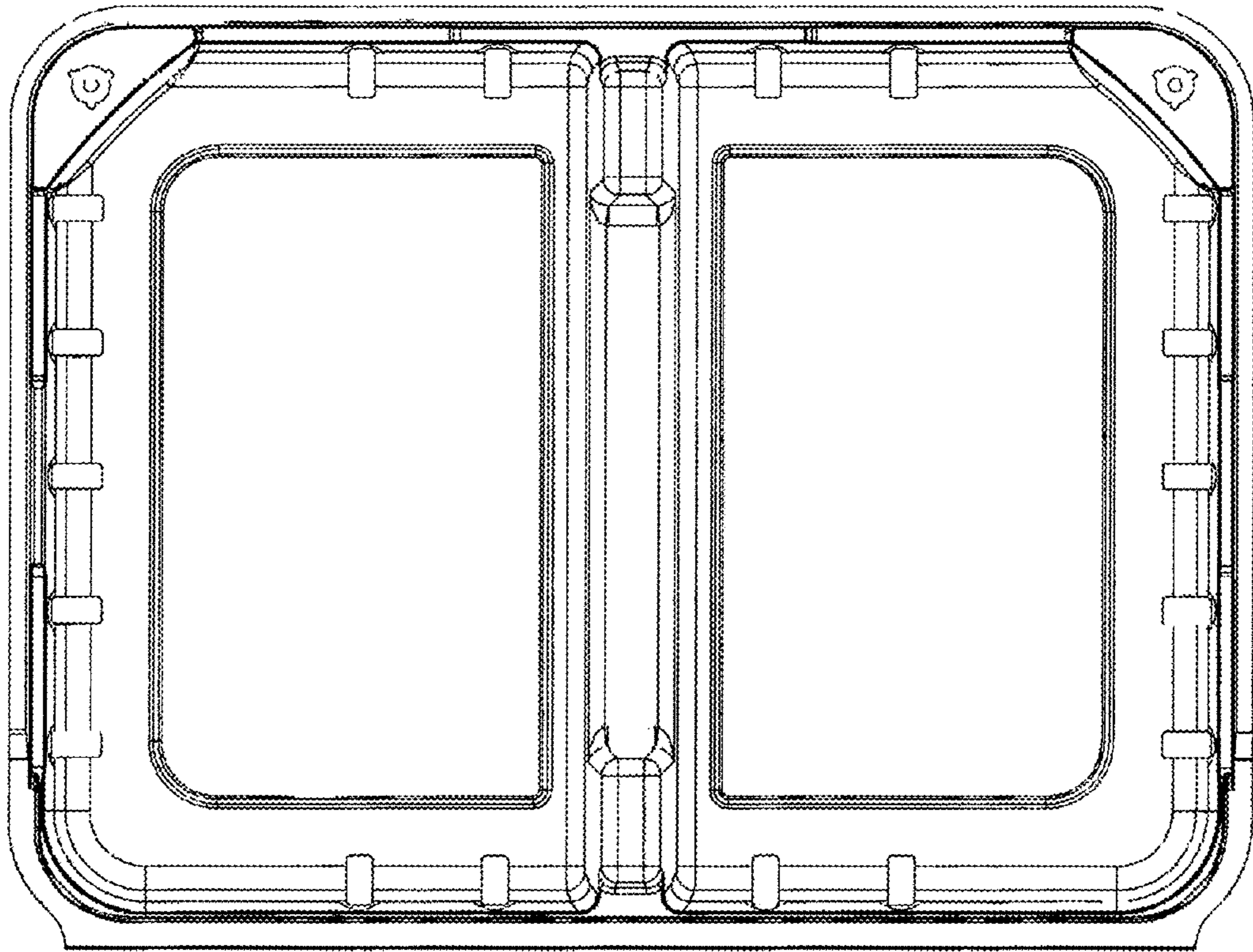


FIG. 7

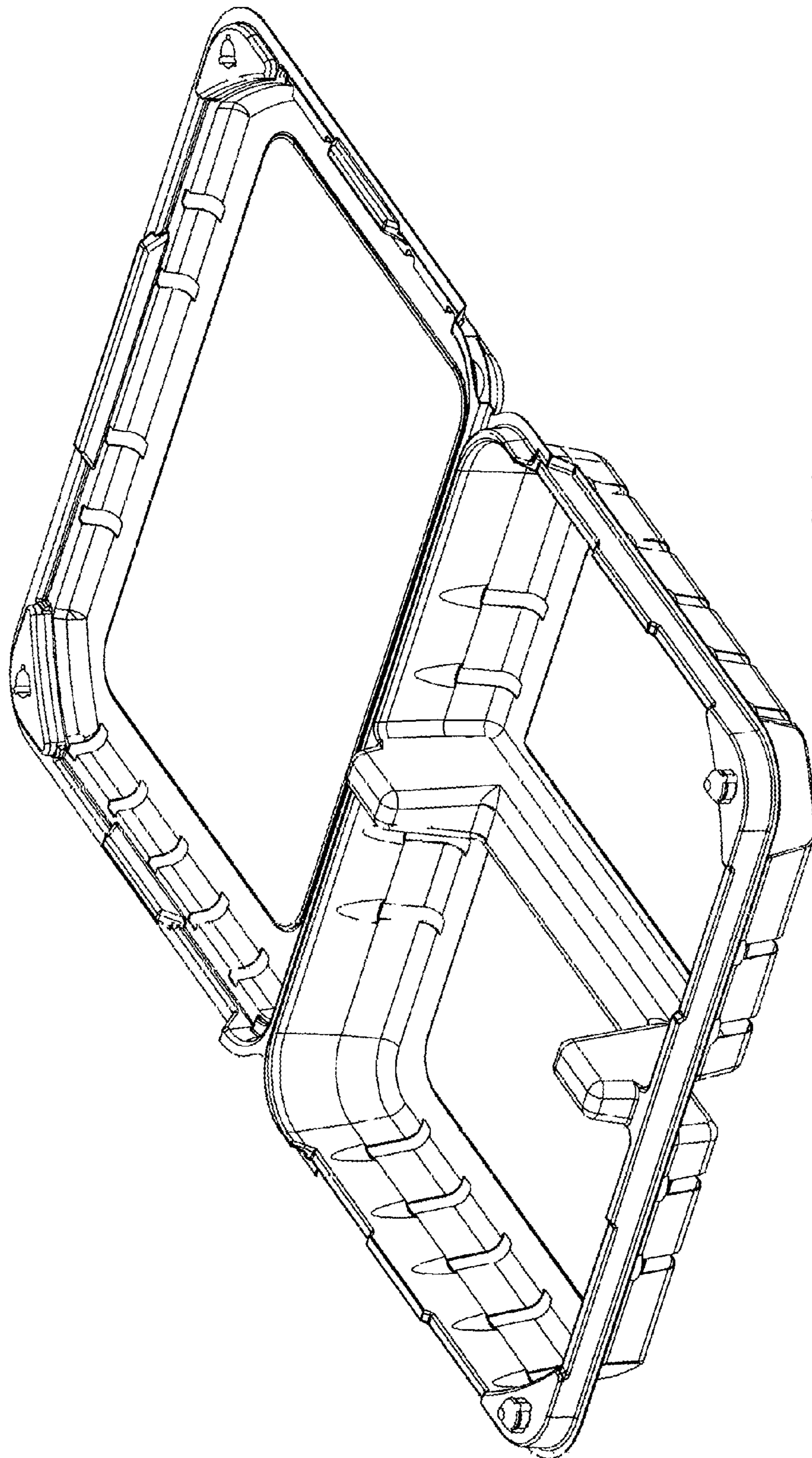


FIG. 8

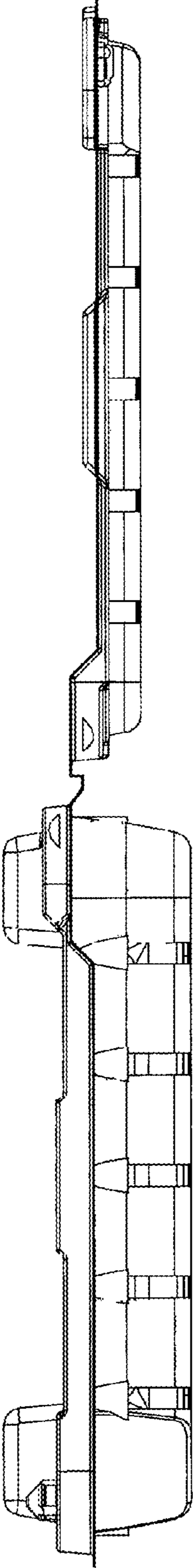


FIG. 9

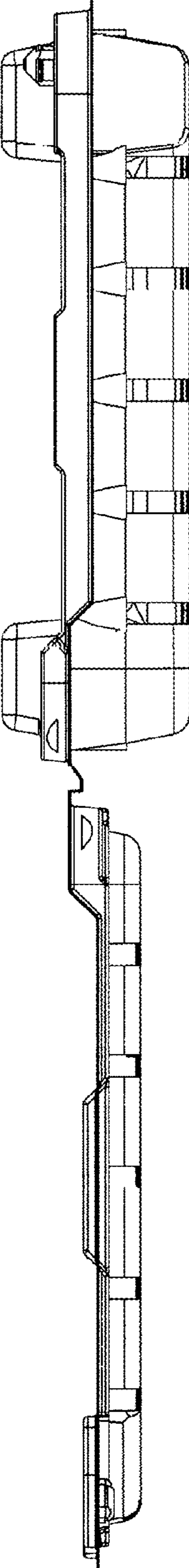


FIG. 10

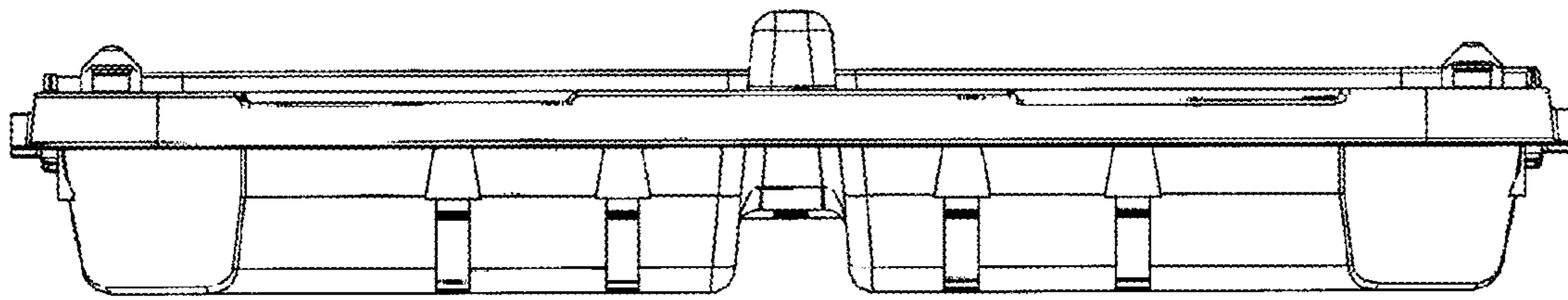


FIG. 11

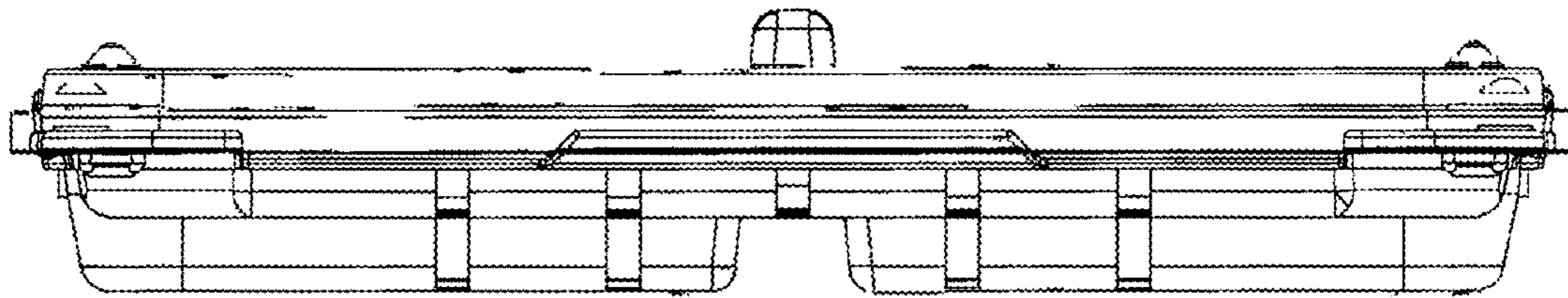


FIG. 12

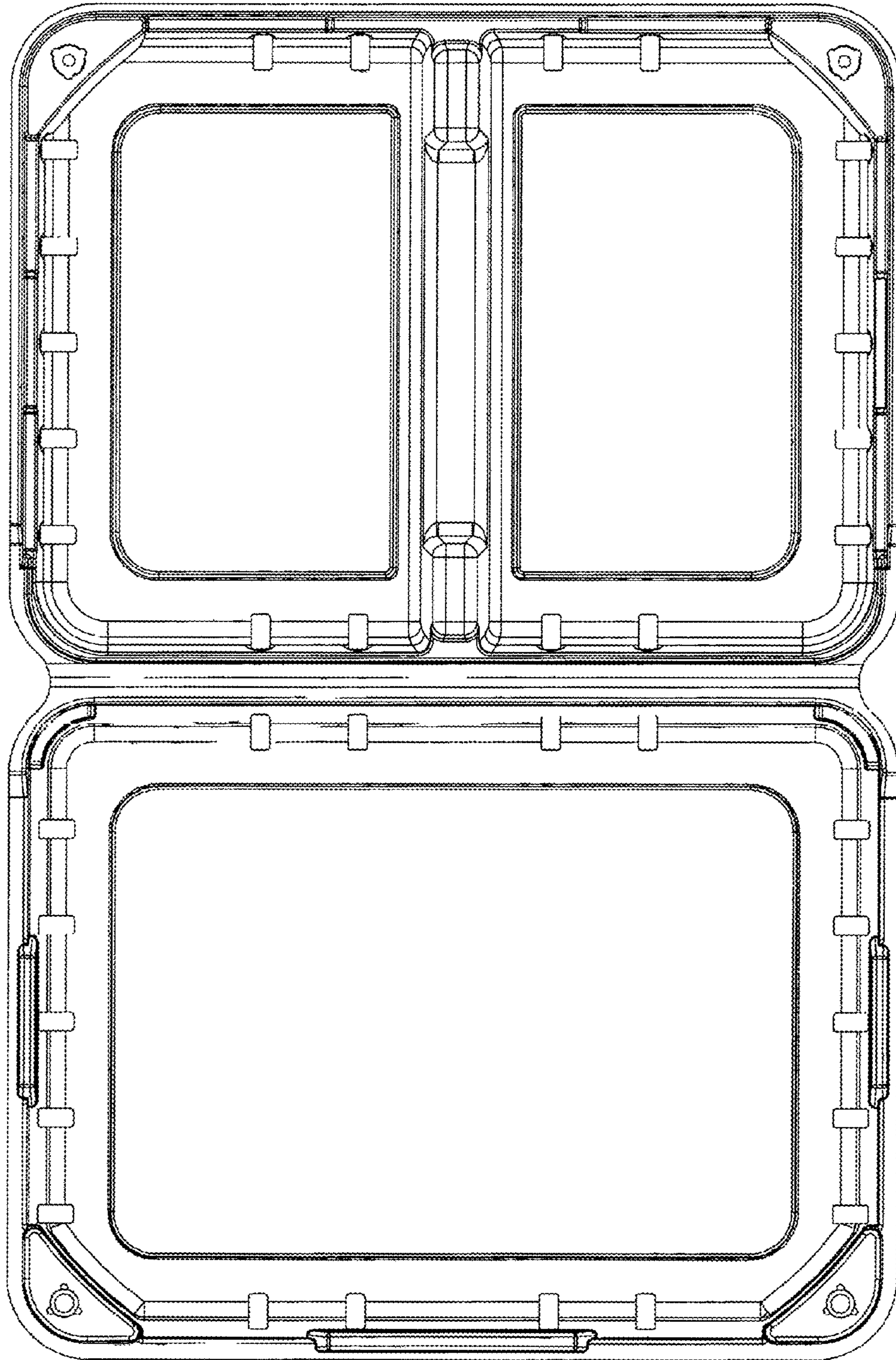


FIG. 13

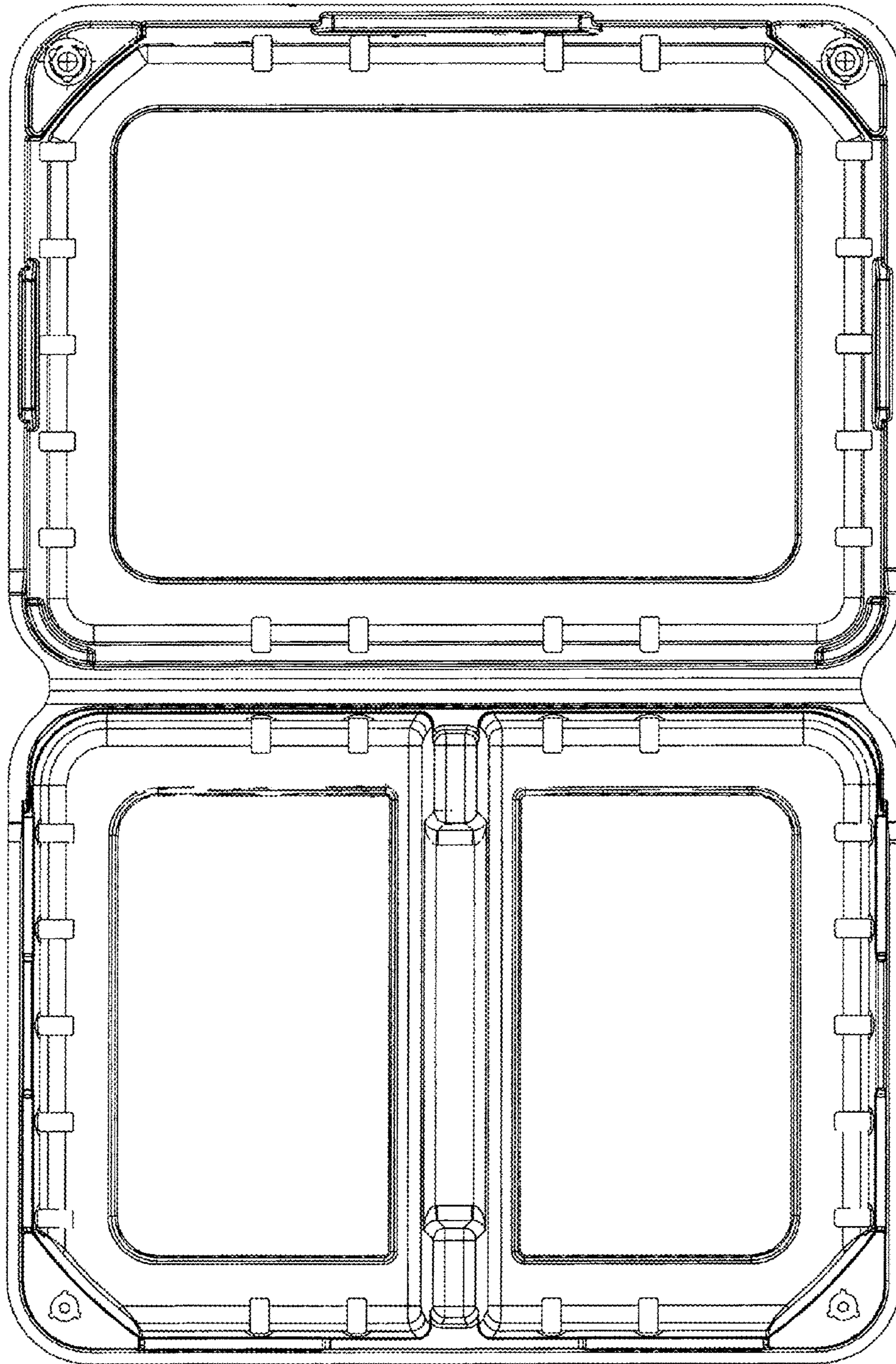


FIG. 14