

US00D752429S

(12) **United States Design Patent**
Mayer

(10) **Patent No.:** **US D752,429 S**
(45) **Date of Patent:** **** Mar. 29, 2016**

(54) **CLOSEABLE CONTAINER**

- (71) Applicant: **Inno-Pak, LLC**, Delaware, OH (US)
- (72) Inventor: **Steven A. Mayer**, Indianapolis, IN (US)
- (73) Assignee: **Inno-Pak, LLC**, Delaware, OH (US)
- (**) Term: **14 Years**

(21) Appl. No.: **29/521,078**

(22) Filed: **Mar. 19, 2015**

(51) **LOC (10) Cl.** **09-03**

(52) **U.S. Cl.**
USPC **D9/420; D9/431; D9/432; D9/433**

(58) **Field of Classification Search**
USPC D9/414-418, 420-425, 430-434, 737,
D9/761; D3/273, 299, 201; 206/457, 503,
206/508, 509, 551, 746, 784, 822; 229/406,
229/407, 902, 905, 906, 938, 461, 541
CPC B65D 5/2047; B65D 5/244; B65D 5/10;
B65D 5/2057; B65D 5/241; B65D 5/48048;
B65D 5/6635; Y10S 229/902
See application file for complete search history.

(56) **References Cited**

U.S. PATENT DOCUMENTS

D158,362 S *	5/1950	Dischler	D3/302
D241,016 S *	8/1976	Reynold	D9/737
5,411,204 A *	5/1995	DeMay	B65D 5/2047 229/114
D394,385 S *	5/1998	Laughlin	D9/431
D395,547 S *	6/1998	Sussman	D28/73
D444,703 S *	7/2001	Allasia	D9/423
D454,495 S *	3/2002	Bryan	D9/433
D509,733 S *	9/2005	Jongens	D9/420
D519,366 S *	4/2006	Epstein	D9/431
D519,830 S *	5/2006	Yocum	D9/420
D521,376 S *	5/2006	Mosto	D9/430
D568,765 S *	5/2008	Miles	D9/737
D582,268 S *	12/2008	Zanaletti	D9/432
D631,742 S *	2/2011	Hubbard, Jr.	D9/431
D631,743 S *	2/2011	Hubbard, Jr.	D9/431

(Continued)

OTHER PUBLICATIONS

Origami treasure chest (YouTube), available Nov. 29, 2010, [online], [site visited Oct. 30, 2015]. Video available from internet, <URL: <https://www.youtube.com/watch?v=WpgGqeBQvj4>.*

(Continued)

Primary Examiner — Cathron Brooks

Assistant Examiner — Teddy Falloway

(74) *Attorney, Agent, or Firm* — Ward and Smith, P.A.; Ryan K. Simmons

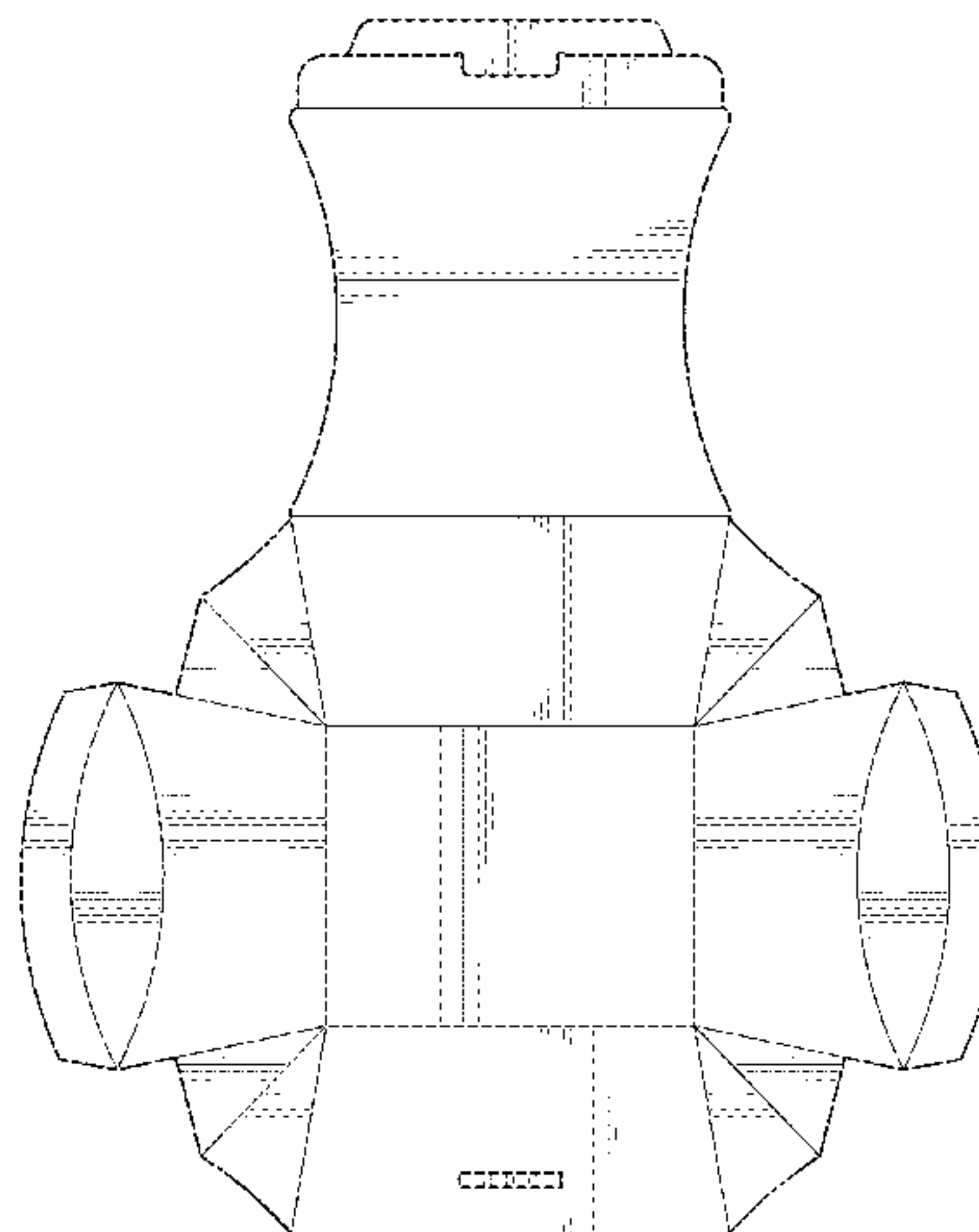
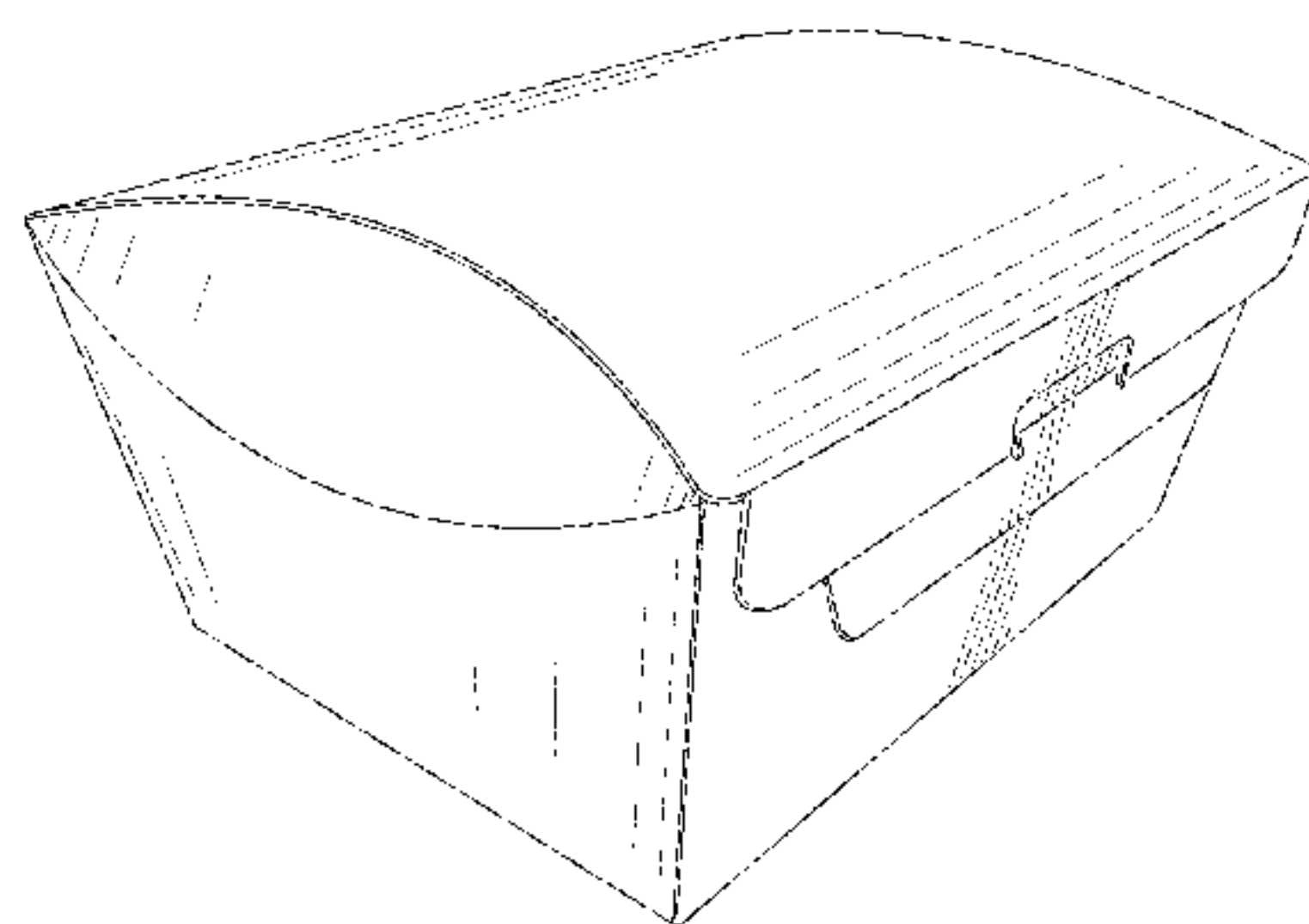
(57) **CLAIM**

The ornamental design for a closeable container, as shown and described.

DESCRIPTION

FIG. 1 is a perspective view of a closeable container showing a new design;
 FIG. 2 is a left side elevation view thereof, the right side being a mirror image;
 FIG. 3 is a front elevation view thereof;
 FIG. 4 is a rear elevation view thereof;
 FIG. 5 is a top plan view thereof;
 FIG. 6 is a bottom plan view thereof;
 FIG. 7 is another perspective view thereof, showing the closeable container in an open configuration;
 FIG. 8 is another top plan view thereof, showing the closeable container in a blank configuration;
 FIG. 9 is another front view of a closeable container showing an alternate embodiment;
 FIG. 10 is a left side elevation view of a closeable container showing an alternate embodiment, the right side being a mirror image; and,
 FIG. 11 is another perspective view showing an alternate embodiment of a closeable container in an open configuration.

1 Claim, 8 Drawing Sheets



(56)

References Cited

U.S. PATENT DOCUMENTS

8,061,585 B2 * 11/2011 Nikolai B65D 5/2057
 229/126
 D682,085 S * 5/2013 Hannant D9/416
 D684,858 S * 6/2013 Sill D9/421
 D693,679 S * 11/2013 Sill D9/423
 D695,101 S * 12/2013 Keberlein D9/416
 D695,104 S * 12/2013 Sill D9/418
 D695,605 S * 12/2013 Johnson D9/423
 D706,132 S * 6/2014 Sill D9/432
 D707,042 S * 6/2014 Ruzzenente D3/232
 D710,691 S * 8/2014 Genender D9/433
 D726,533 S * 4/2015 Northrup D9/432
 D728,359 S * 5/2015 Iwegbu D9/420
 D728,364 S * 5/2015 Baker D9/432
 D731,325 S * 6/2015 Loessin D9/737
 2004/0182916 A1 * 9/2004 Roseth B65D 5/2047
 229/155
 2010/0065620 A1 * 3/2010 Smith B65D 5/029
 229/109
 2012/0234904 A1 * 9/2012 Costanzo, Jr. B65D 5/241

2014/0203070 A1 * 7/2014 Lee B65D 5/0005
 229/101
 2014/0263600 A1 * 9/2014 Valencia B65D 5/244
 229/155

OTHER PUBLICATIONS

Curved lid box, available Nov. 2, 2013, [online], [site visited Oct. 30, 2015]. Available from internet, <URL: <http://www.robives.com/category/tags/highlight?page=3>>.*
 Take-out Container, available Jan. 17, 2013, [online], [site visited Oct. 30, 2015]. Available from internet, <URL: http://www.amazon.com/Southern-Champion-Tray-0731-Paperboard/product-reviews/B004NG9A2Q/ref=cm_cr_pr_btm_link_2?ie=UTF8&showViewpoints=1&sortBy=bySubmissionDateDescending&reviewerType=all_reviews&formatType=all_formats&pageNumber=2>.*
 Empty candy boxes, available Oct. 12, 2013, [online], [site visited Oct. 30, 2015]. Available from internet, <URL: <http://www.blaircandy.com/emcabo.html>>.*

* cited by examiner

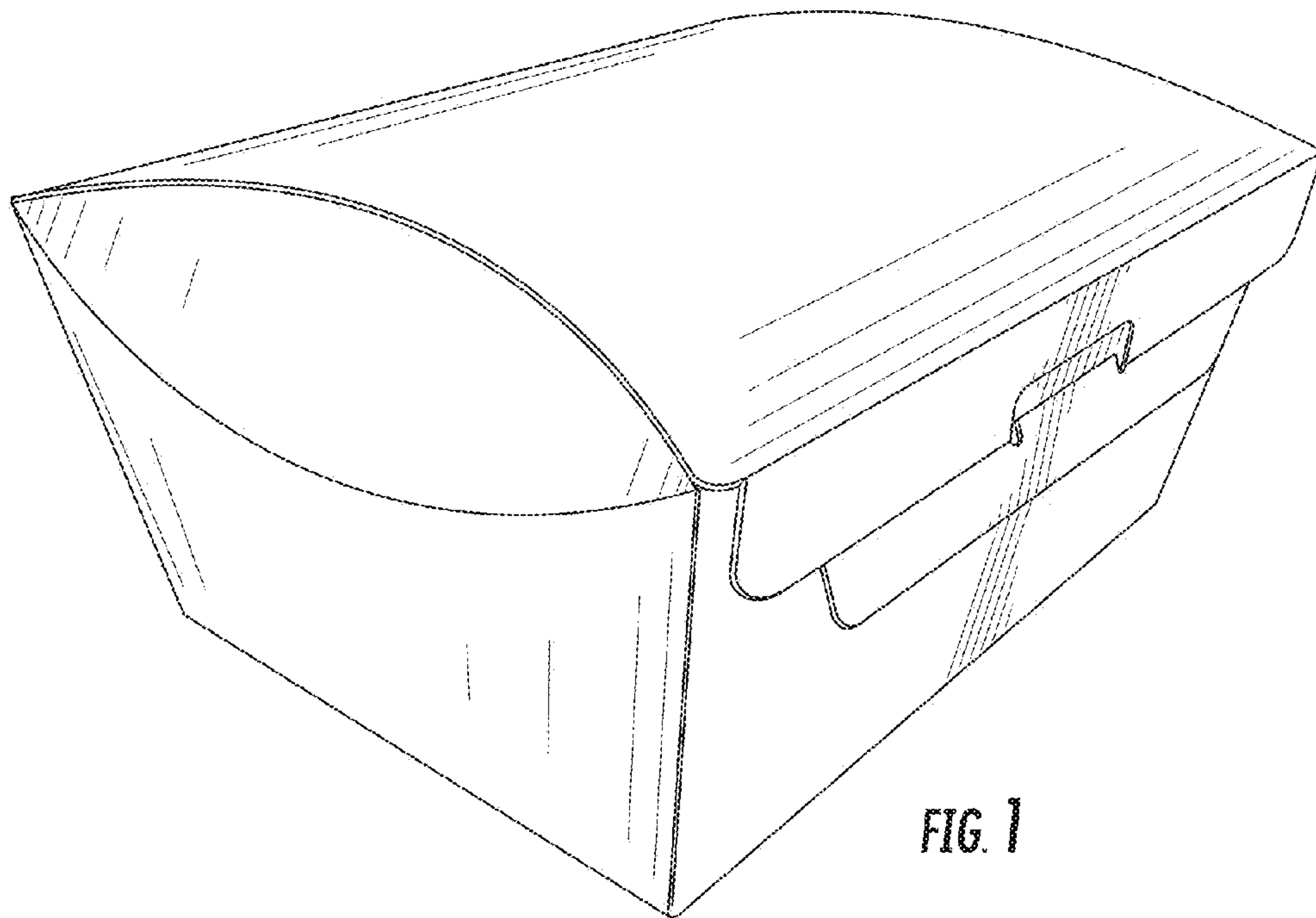


FIG. 1

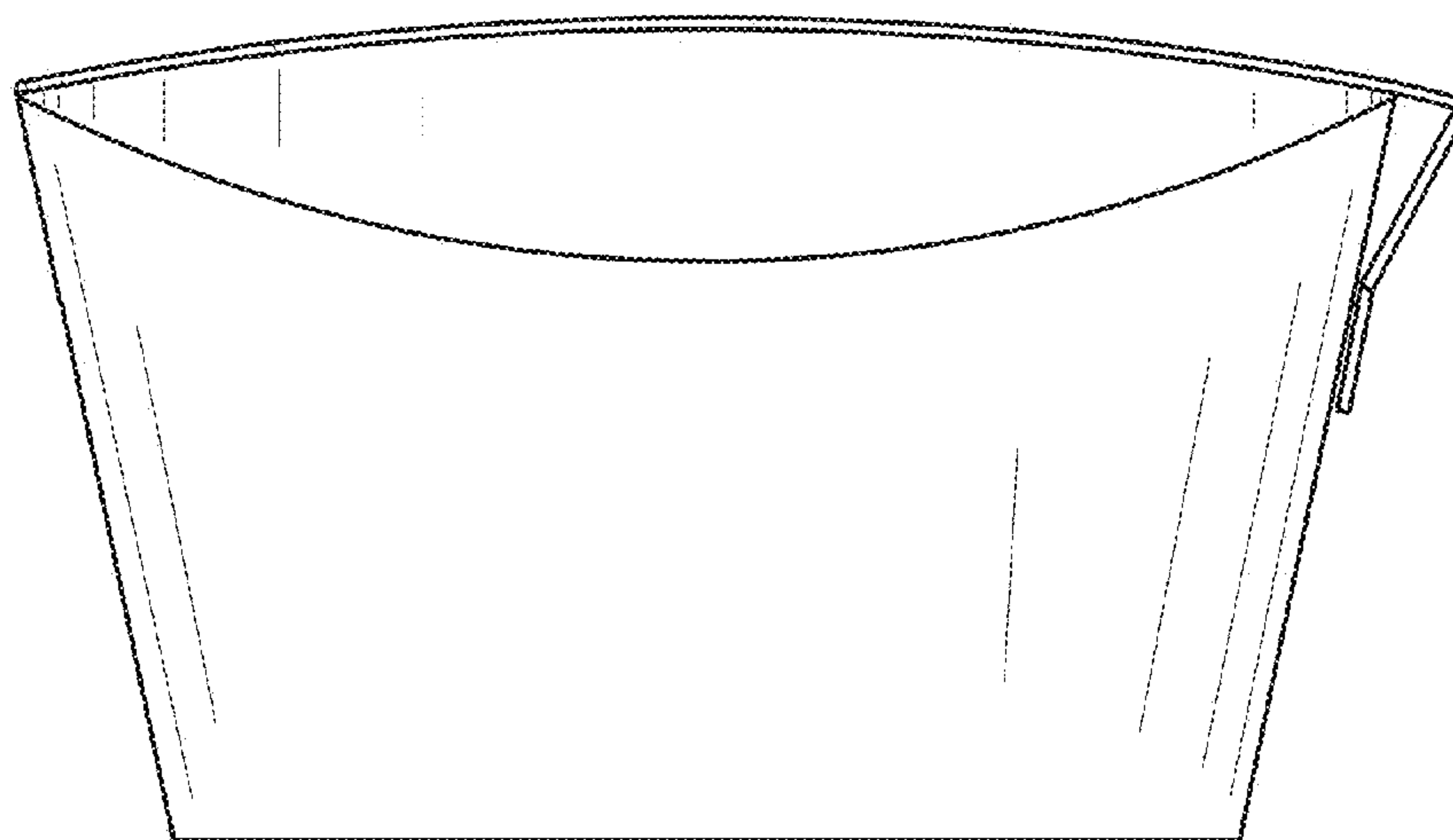


FIG. 2

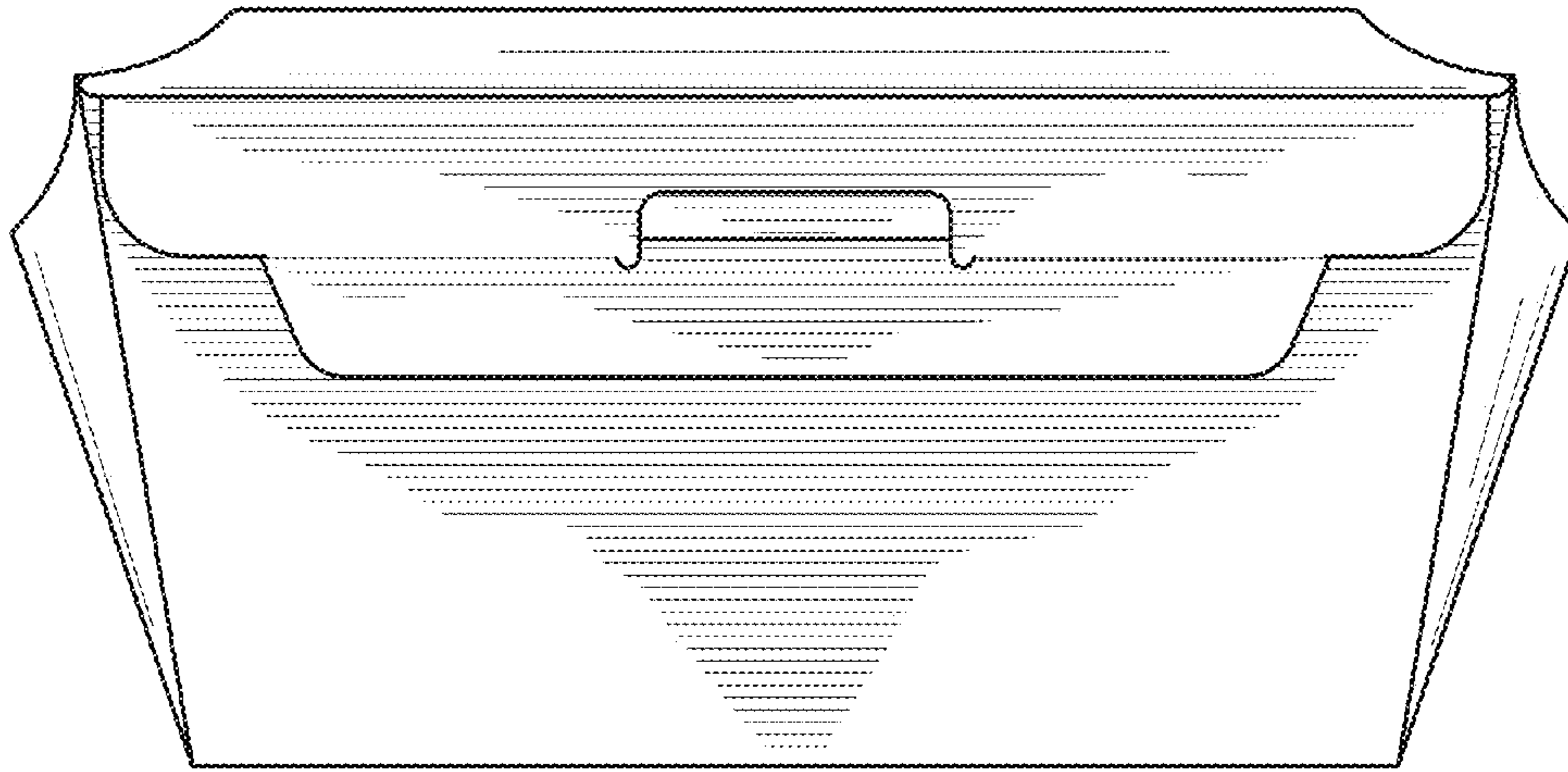


FIG. 3

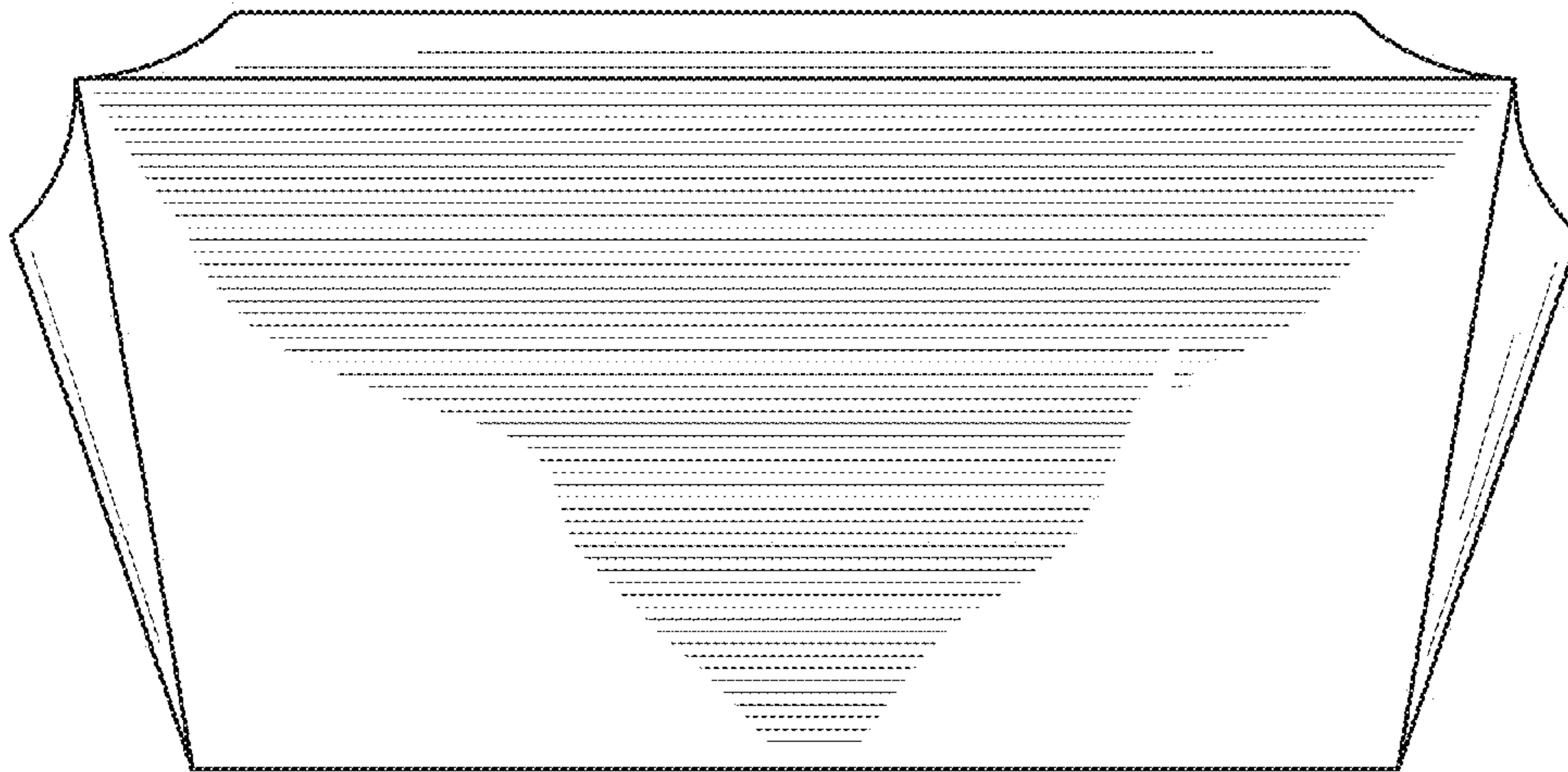


FIG. 4

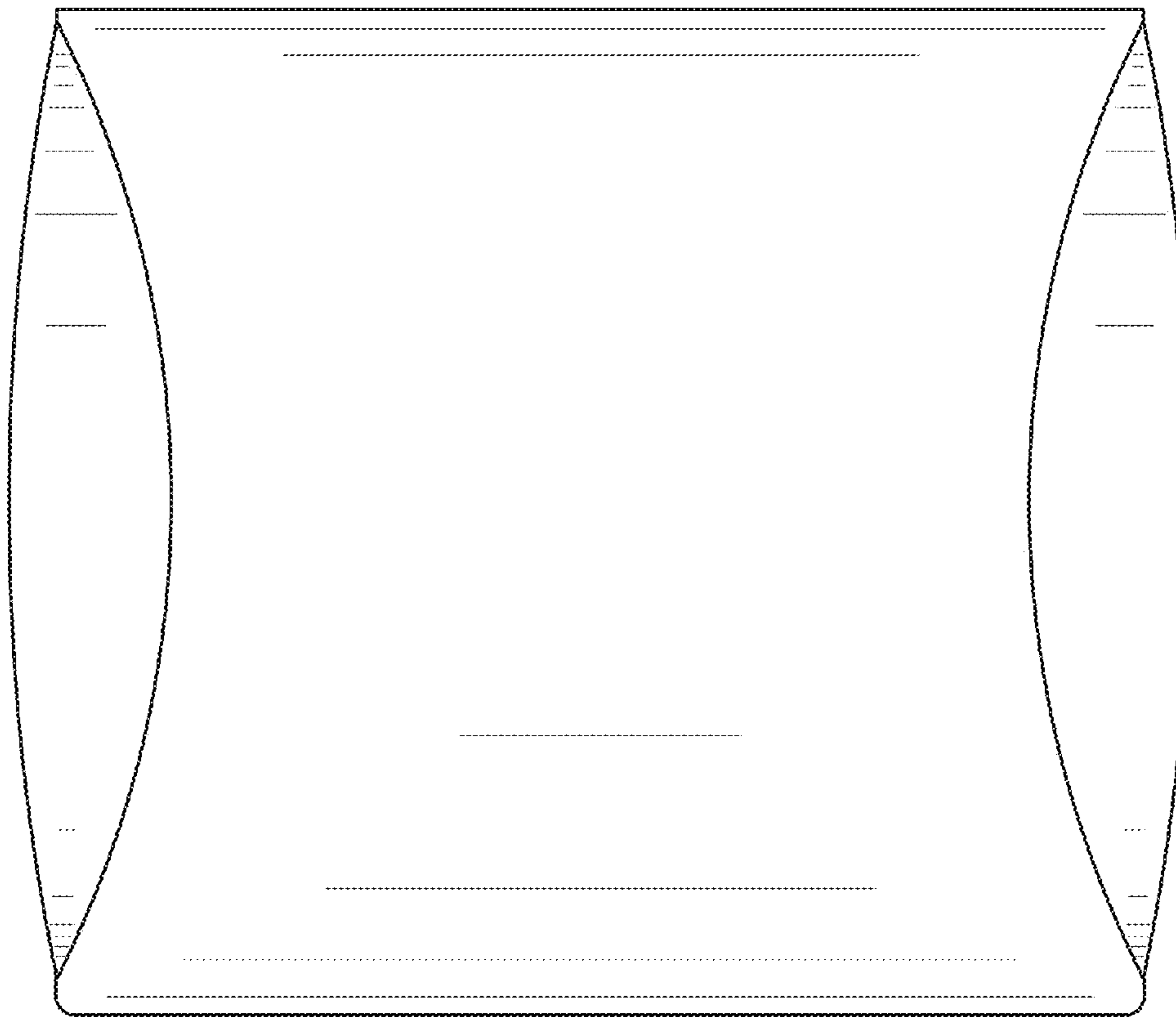


FIG. 5

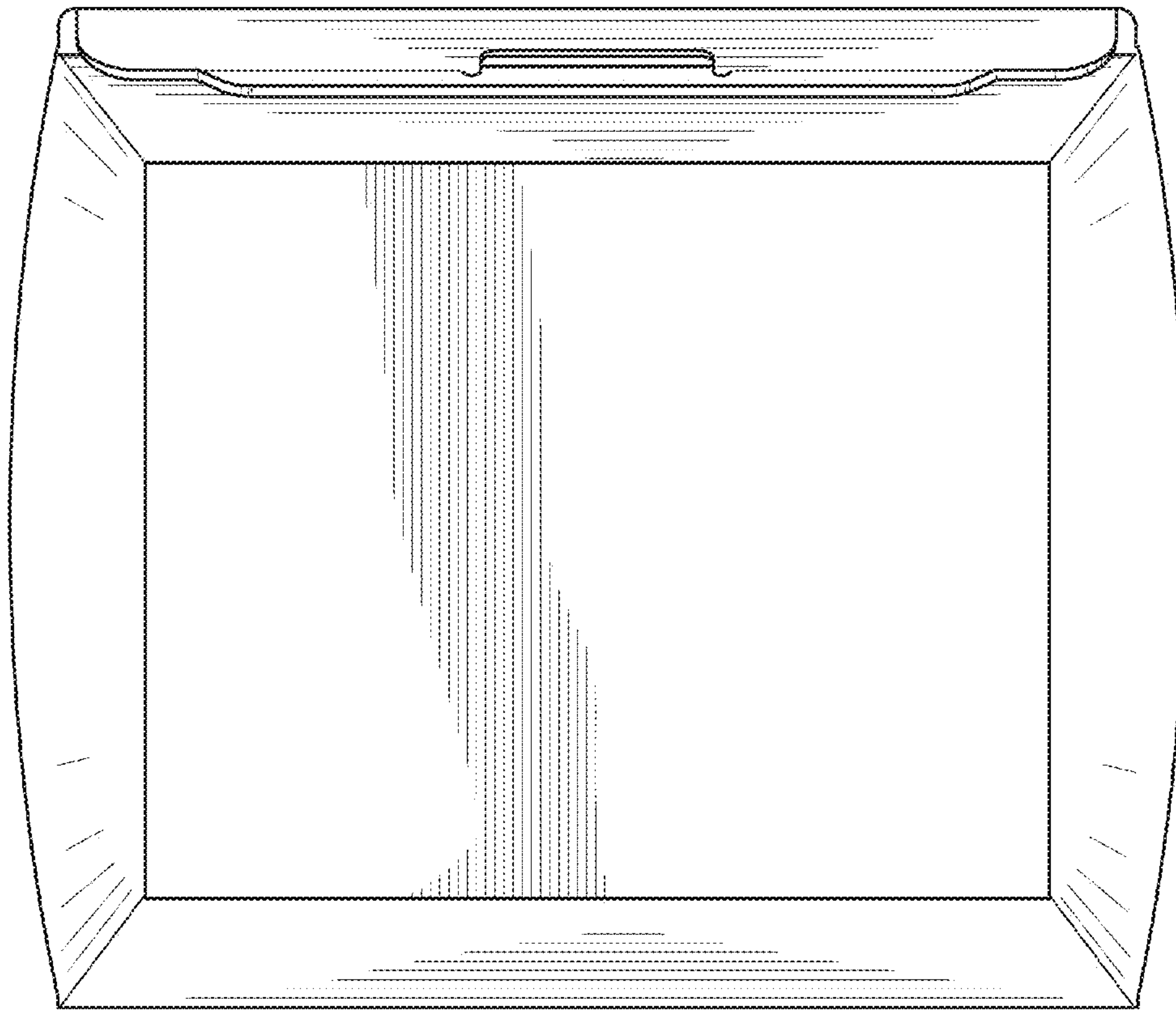


FIG. 6

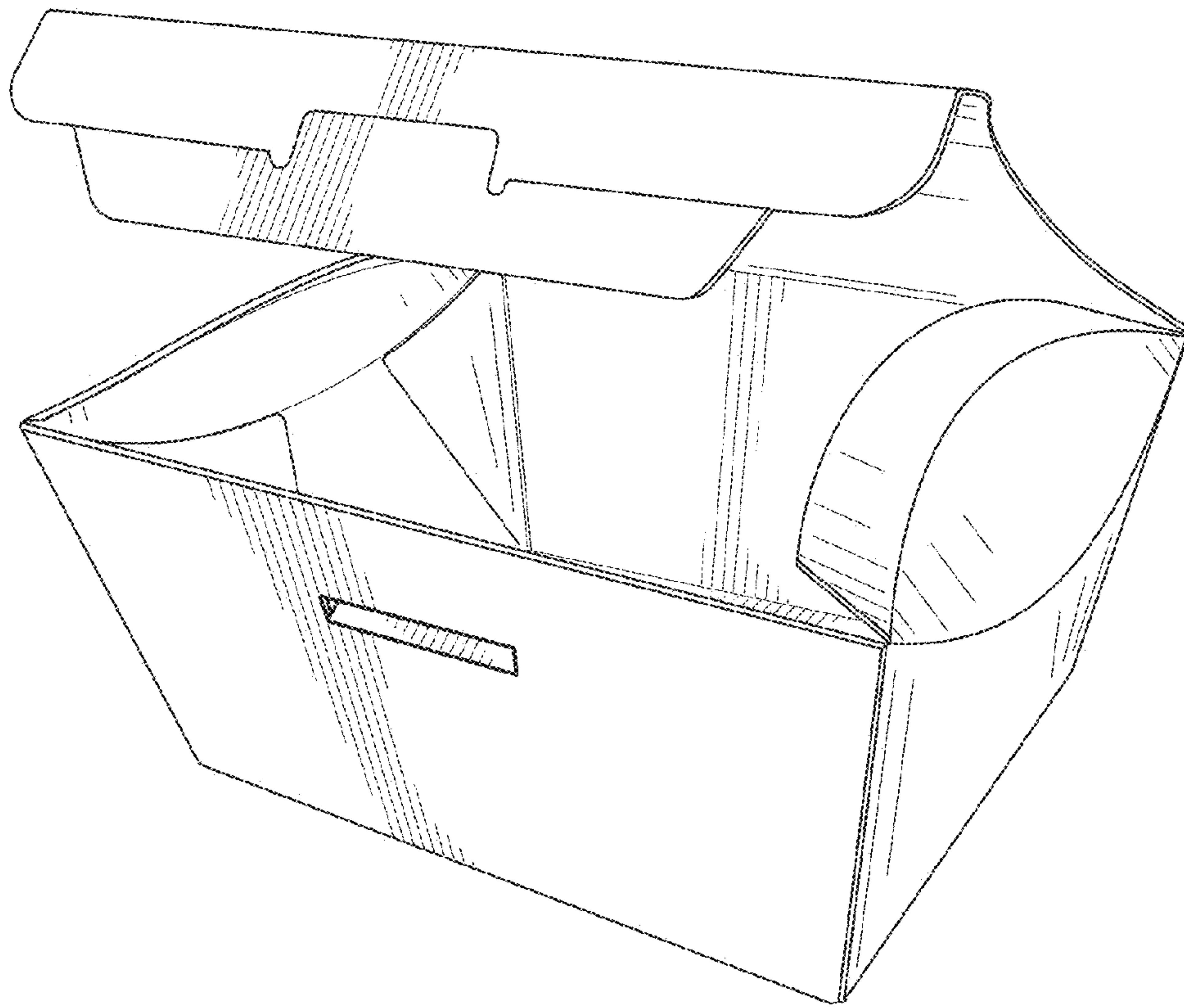


FIG. 7

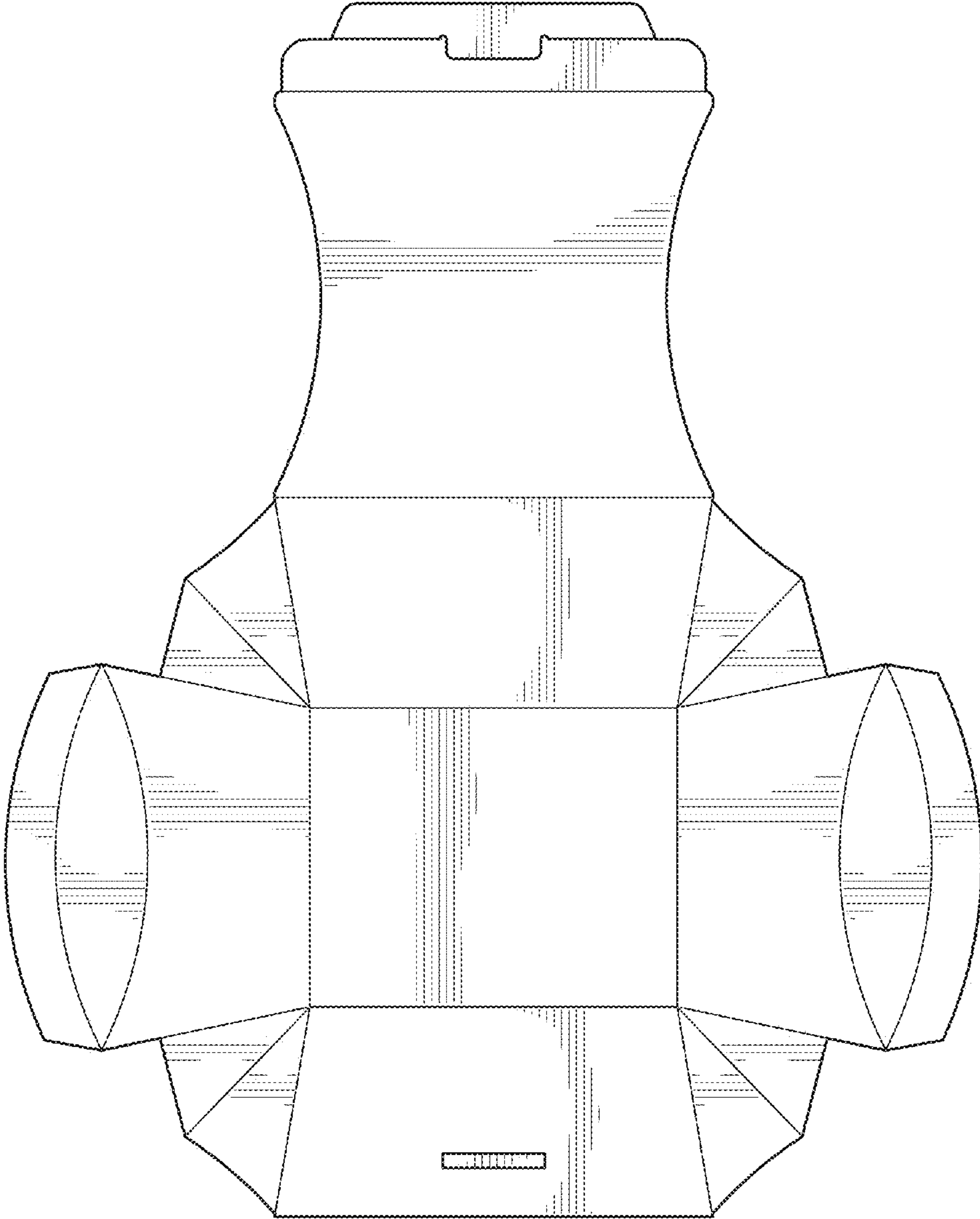


FIG. 8

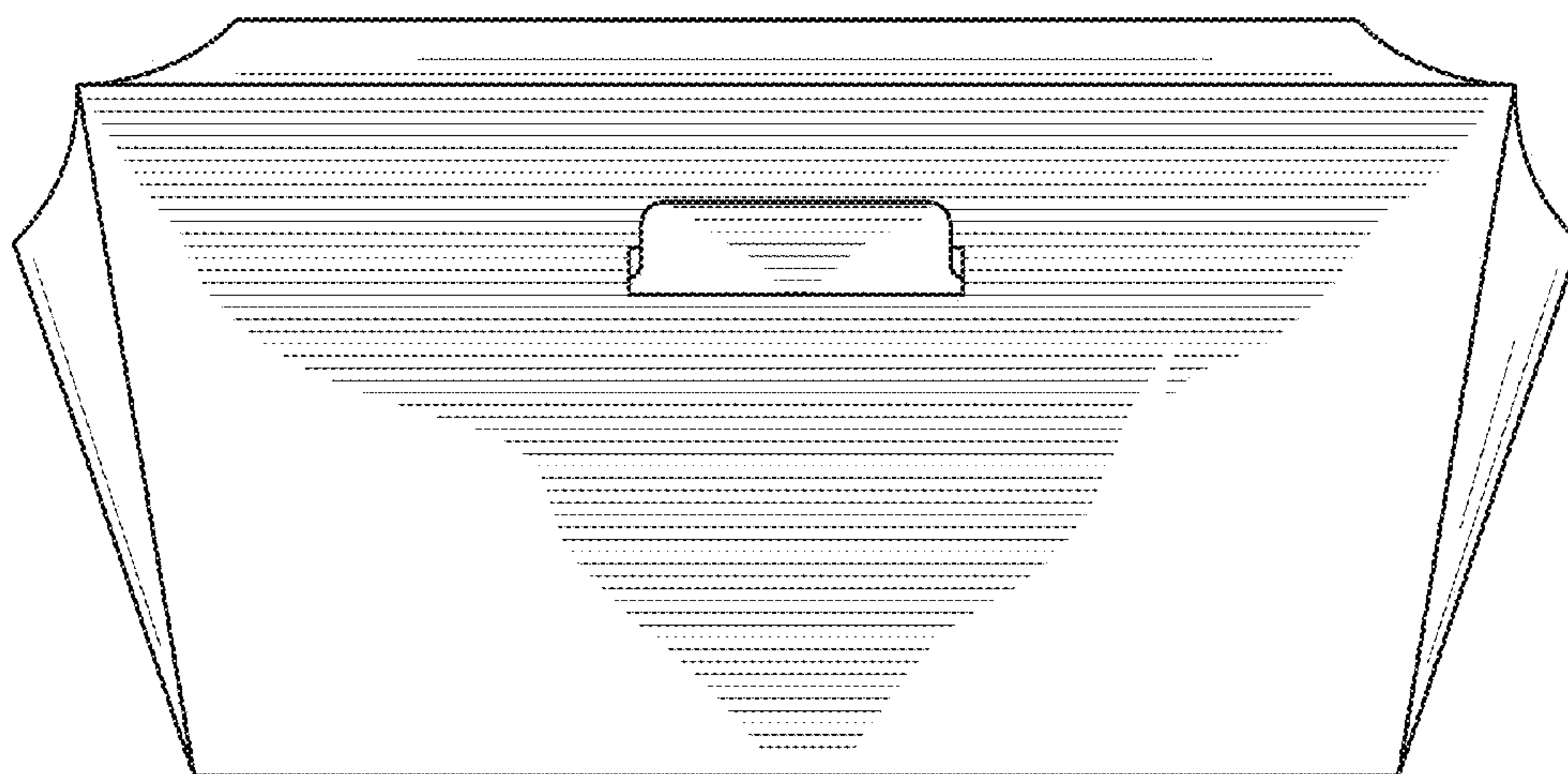


FIG. 9

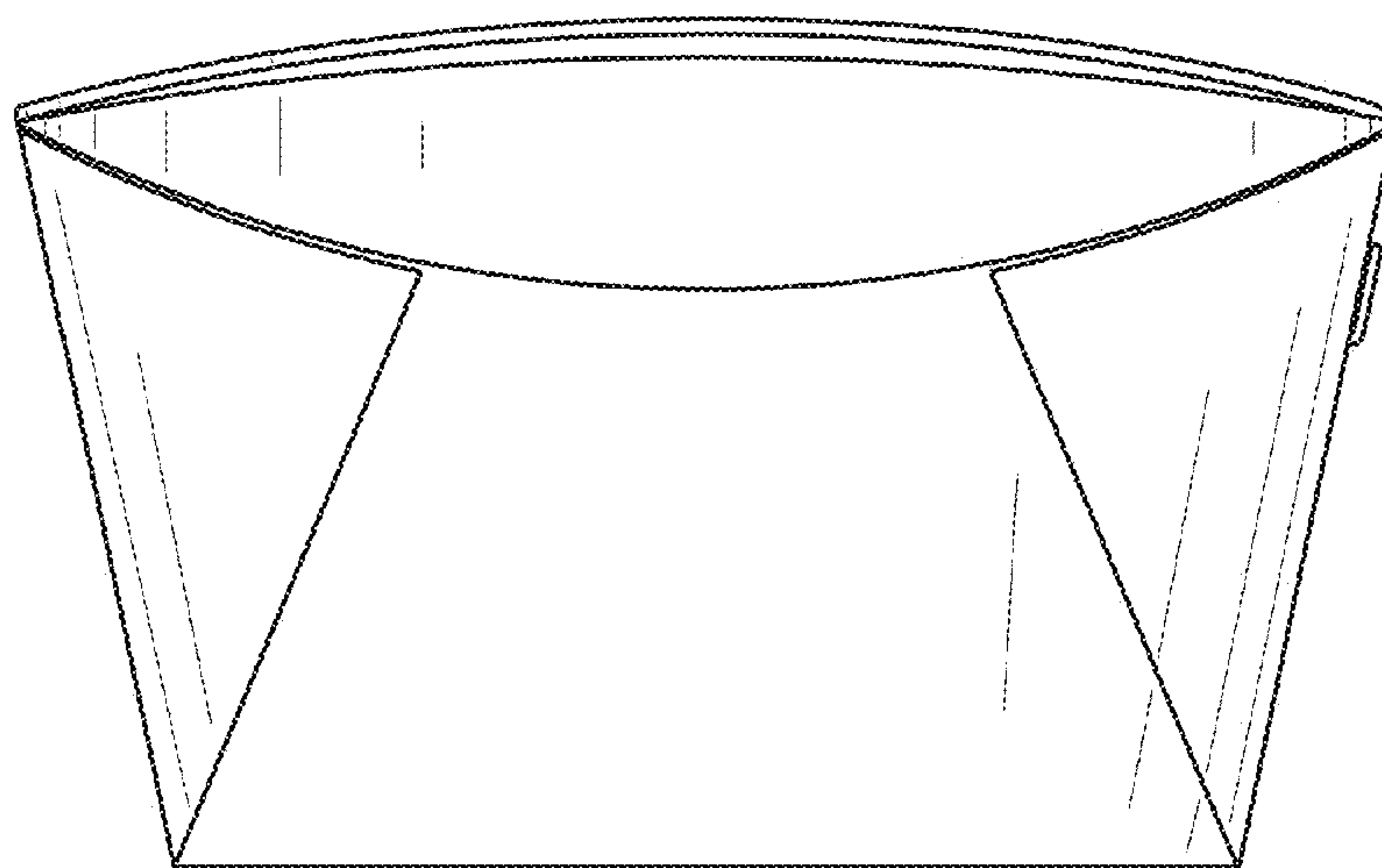


FIG. 10

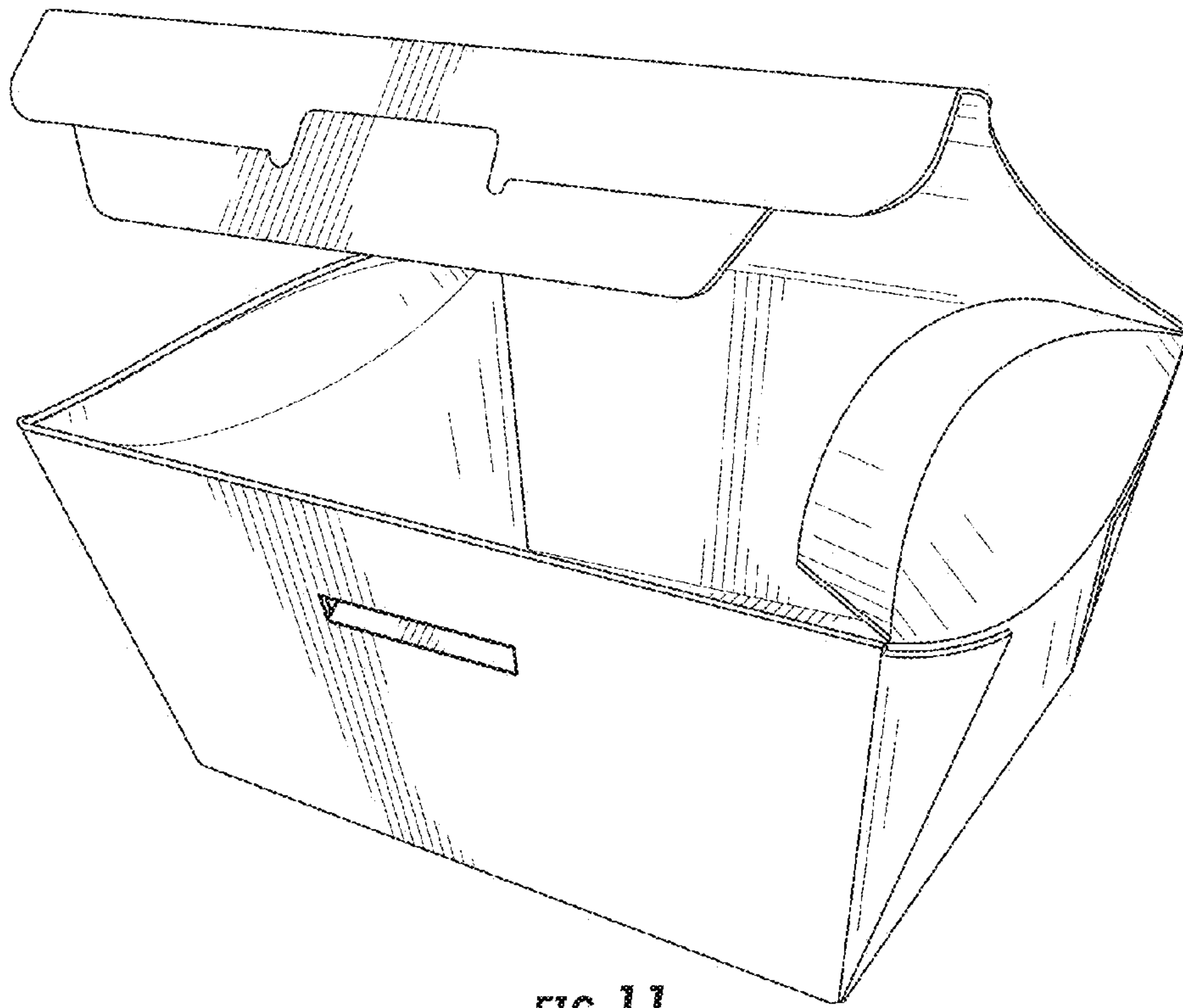


FIG. 11