

US00D752424S

(12) **United States Design Patent**  
**Thompson**

(10) **Patent No.:** **US D752,424 S**  
(45) **Date of Patent:** **\*\* Mar. 29, 2016**

- (54) **WIRE CONNECTING DEVICE**
- (71) Applicant: **William J. Thompson**, Las Vegas, NV  
(US)
- (72) Inventor: **William J. Thompson**, Las Vegas, NV  
(US)
- (\*\*) Term: **14 Years**
- (21) Appl. No.: **29/482,979**
- (22) Filed: **Feb. 24, 2014**
- (51) **LOC (10) Cl.** ..... **08-08**
- (52) **U.S. Cl.**  
USPC ..... **D8/396**
- (58) **Field of Classification Search**  
USPC ..... D8/354, 355, 356, 394-396, 72;  
D13/154  
CPC ..... F16L 3/233; F16L 33/04; F16L 33/06;  
F16L 33/10; F16L 21/005; F16L 3/26; B65D  
63/14; H02G 7/10; H02G 7/053; A47K 10/14  
See application file for complete search history.

D308,818 S *	6/1990	Powrzanas .....	D8/396
D310,166 S *	8/1990	Fildan .....	D8/383
D473,456 S *	4/2003	Rodriguez, Jr. ....	D8/395
D523,738 S *	6/2006	Henson .....	D8/395
D538,143 S *	3/2007	Pu et al. ....	D8/394
D556,531 S *	12/2007	Allen .....	D8/72
D569,349 S *	5/2008	Preston .....	D13/156
D579,411 S *	10/2008	Jowett .....	D13/133
D591,587 S *	5/2009	Mason .....	D8/396
D620,786 S *	8/2010	Gretz .....	D8/396

\* cited by examiner

*Primary Examiner* — John Windmuller  
*Assistant Examiner* — Steven Czyz

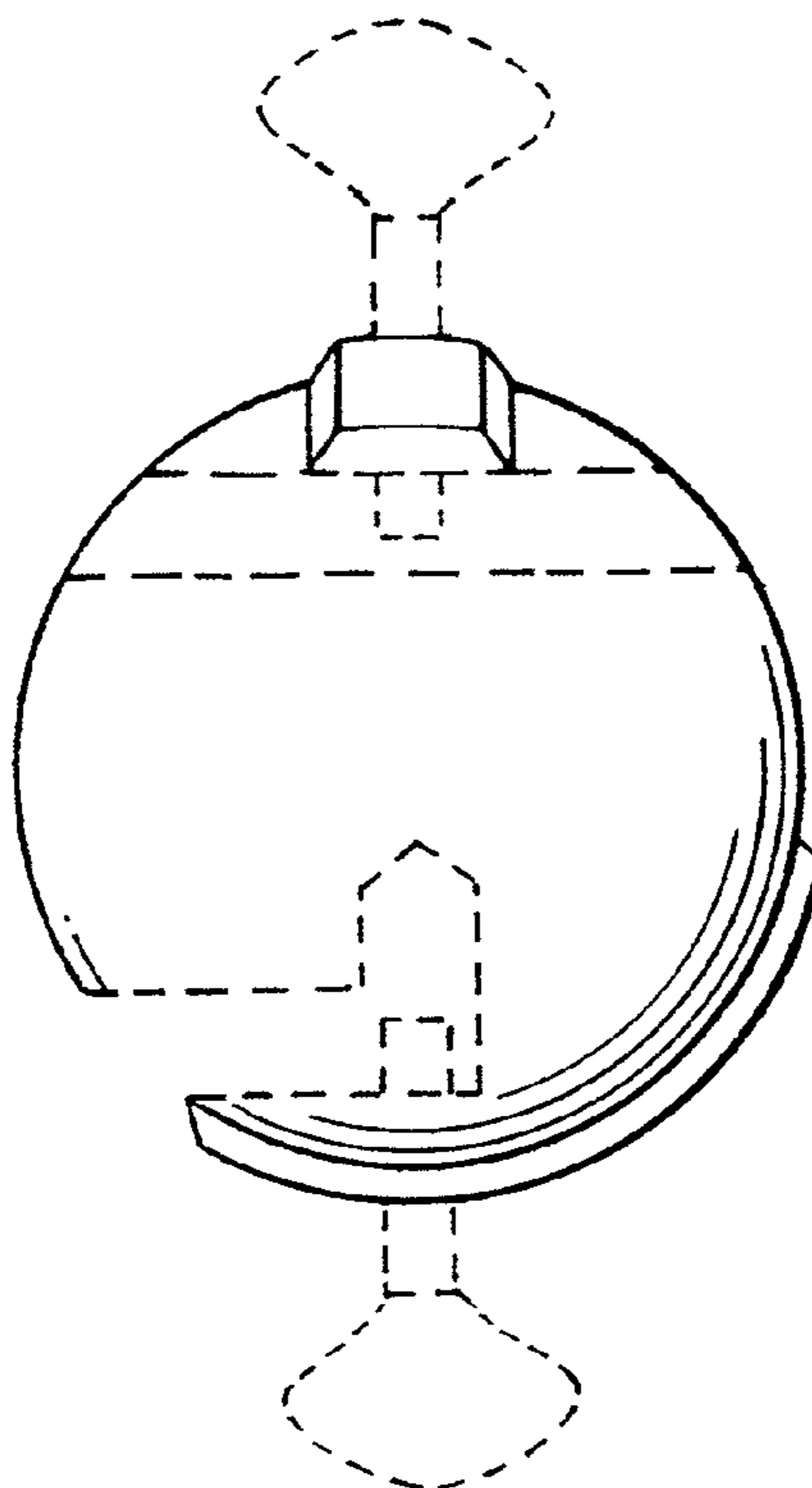
(57) **CLAIM**  
The ornamental design for the wire connecting device, as shown and described.

**DESCRIPTION**

FIG. 1 is a front view of a wire connecting device, showing my new design;  
FIG. 2 is a left side view thereof;  
FIG. 3 is a right side view thereof;  
FIG. 4 is a back view thereof;  
FIG. 5 is a top view thereof; and,  
FIG. 6 is a bottom view thereof.  
The broken lines depict portions of the article that form no part of the claimed design.

**1 Claim, 2 Drawing Sheets**

- (56) **References Cited**  
U.S. PATENT DOCUMENTS  
4,039,263 A \* 8/1977 Bassler ..... 403/218  
D251,545 S \* 4/1979 Boden ..... D8/383  
D277,644 S \* 2/1985 Tolkkko ..... D8/396  
D308,731 S \* 6/1990 Maglica et al. .... D26/138



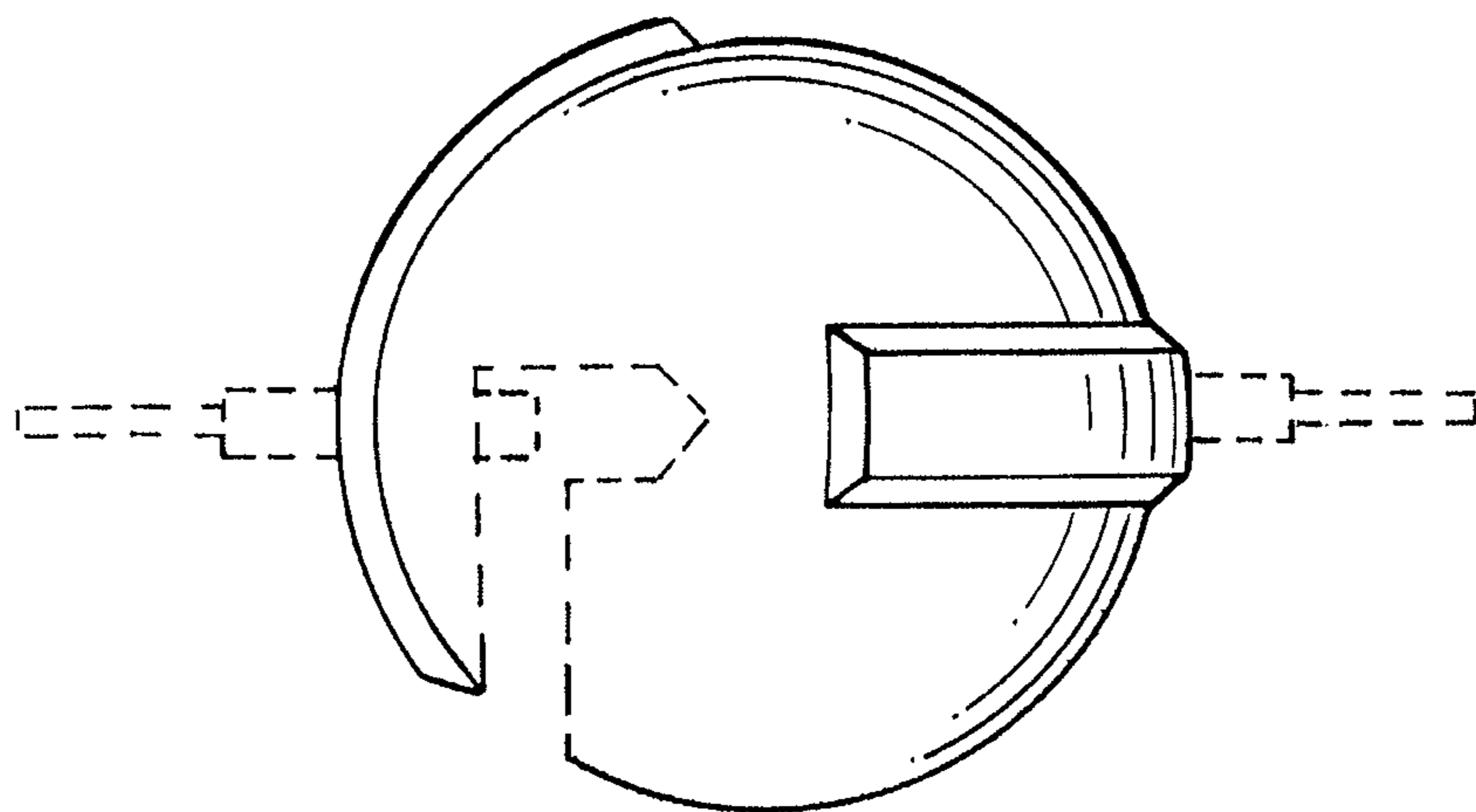


FIG. 1

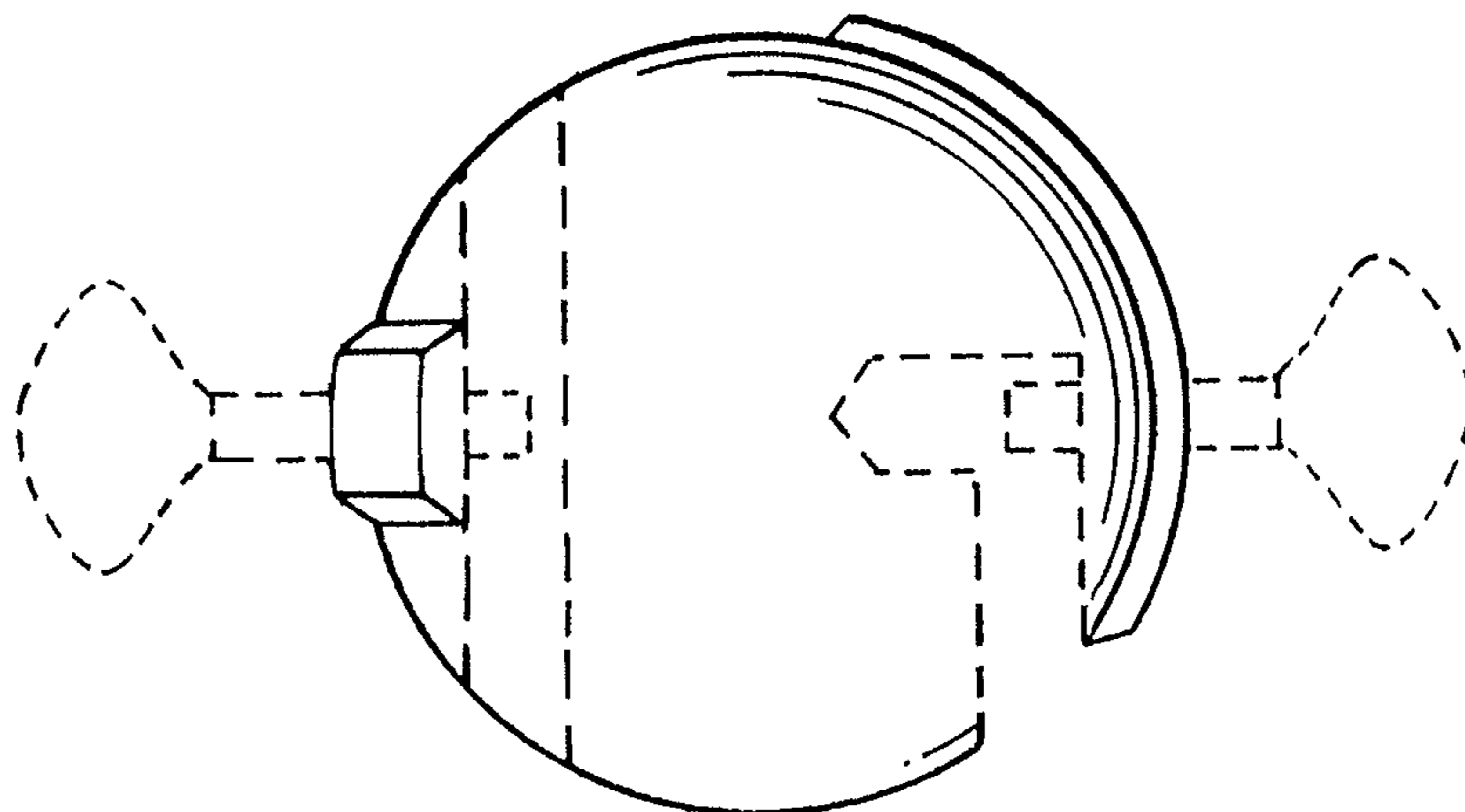


FIG. 2

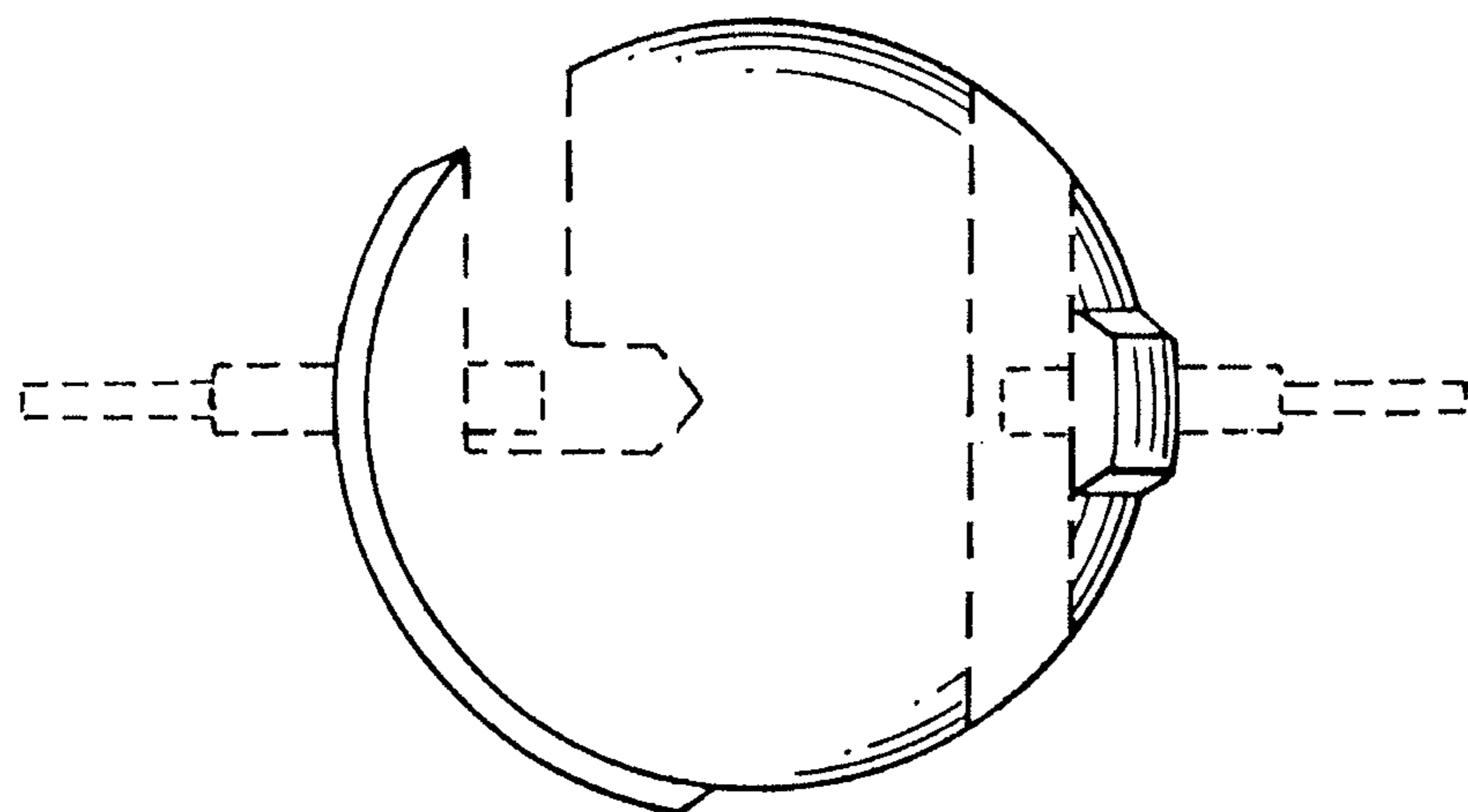


FIG. 3

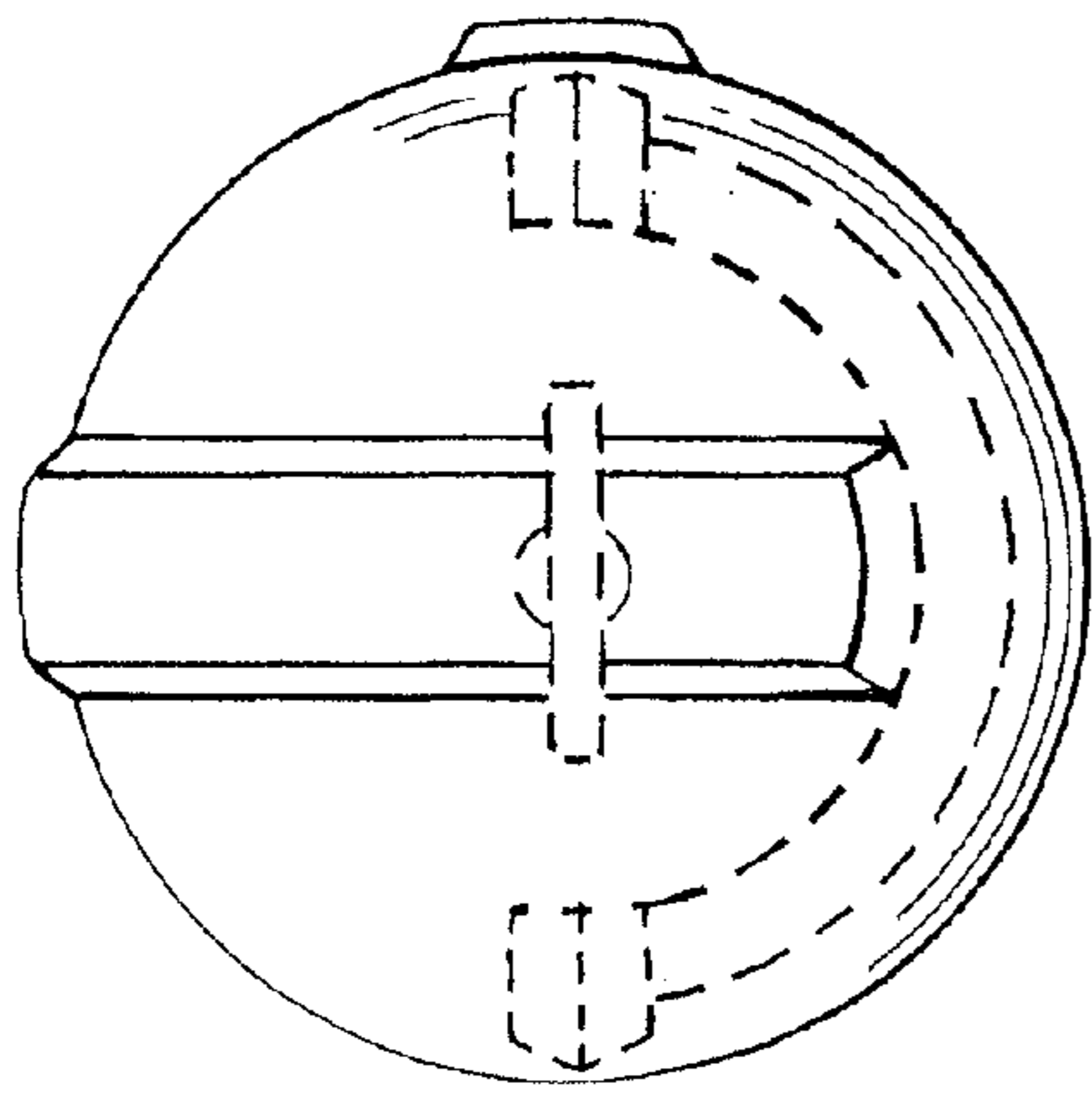


FIG. 5

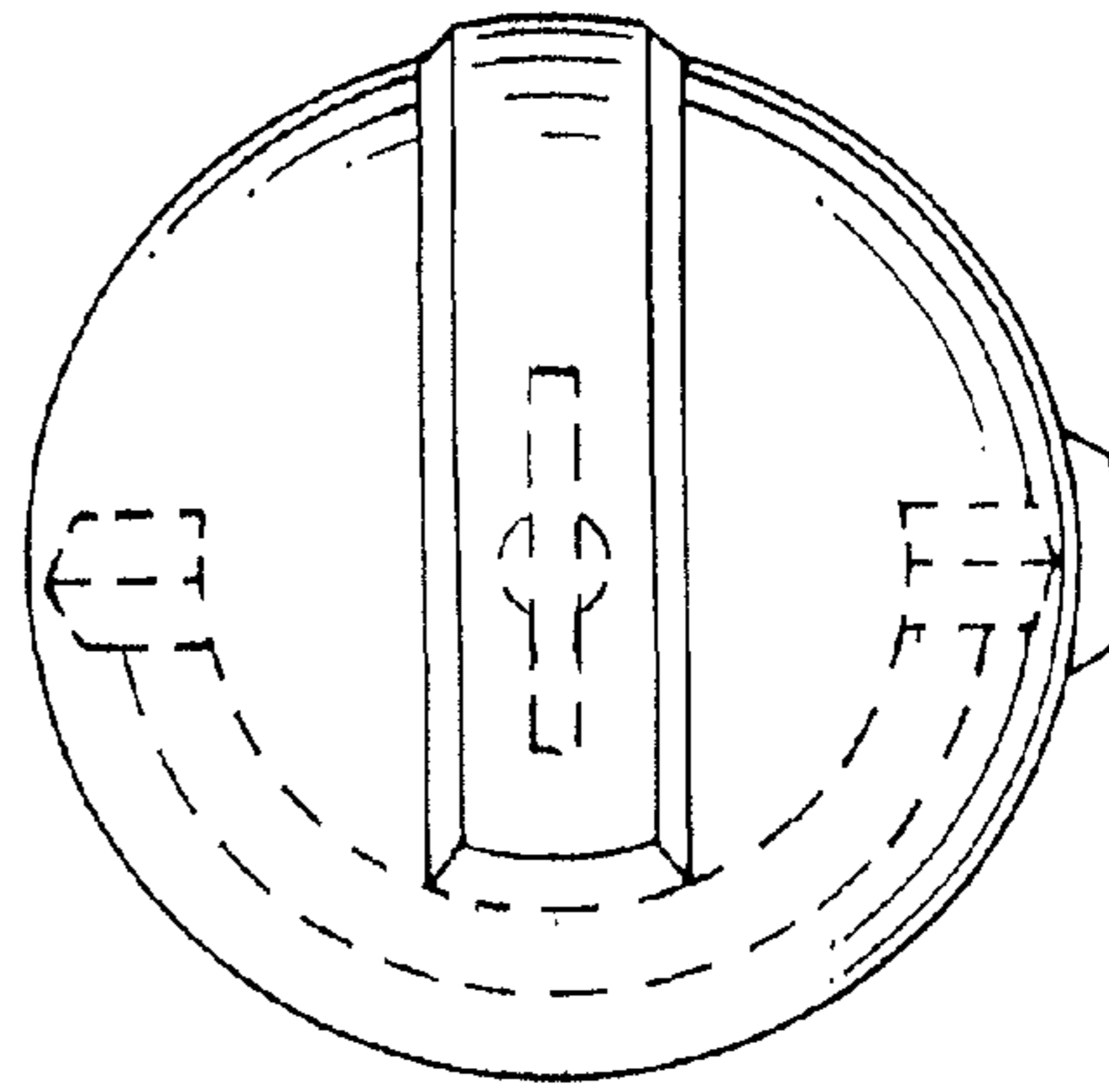


FIG. 6

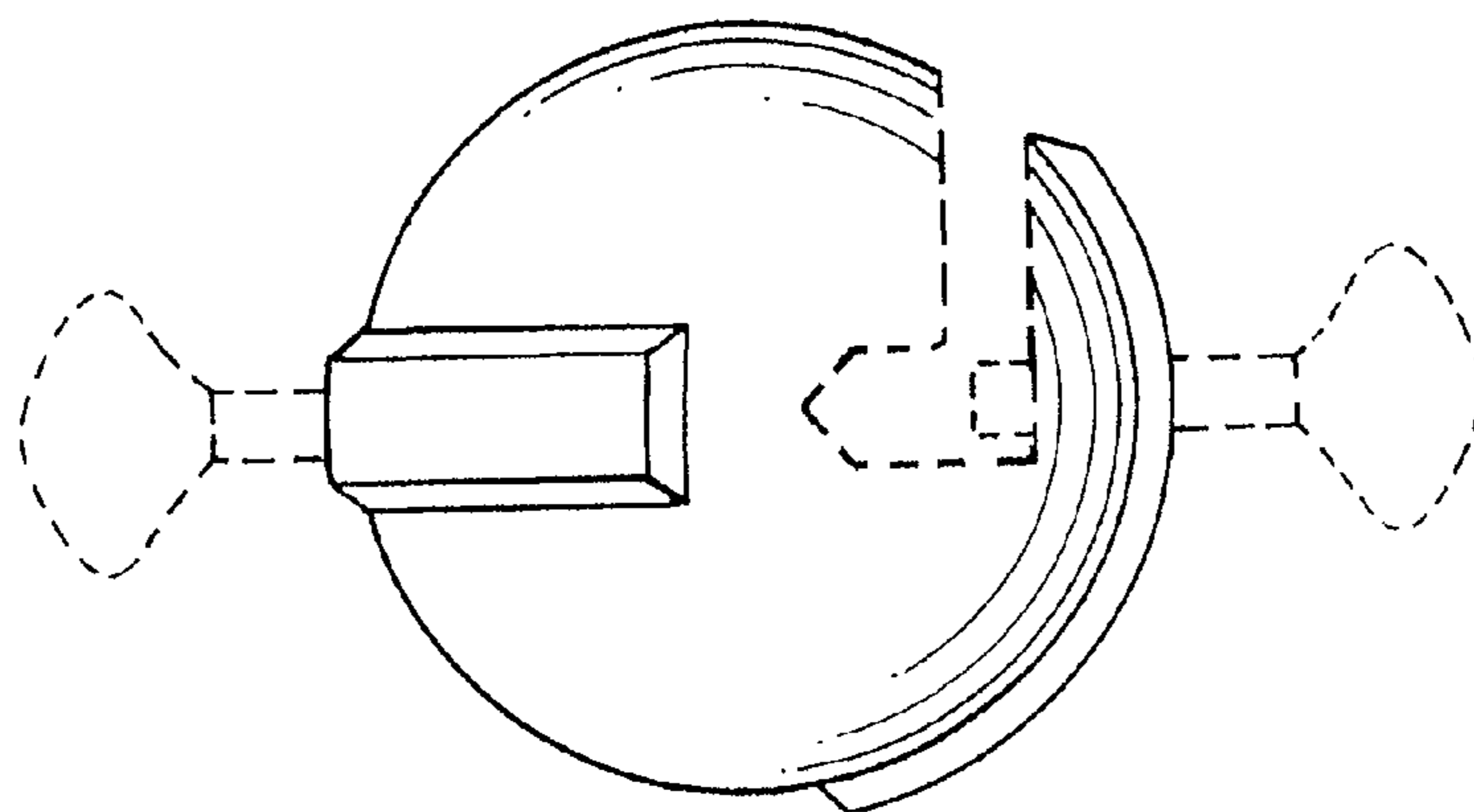


FIG. 4