



US00D752422S

(12) **United States Design Patent**  
**Veilleux et al.**

(10) **Patent No.:** **US D752,422 S**  
(45) **Date of Patent:** **\*\* Mar. 29, 2016**

(54) **WALL TRACK**

(71) Applicants: **David Veilleux**, Stillwater, MN (US);  
**Walter Moncade**, St. Bruno (CA)

(72) Inventors: **David Veilleux**, Stillwater, MN (US);  
**Walter Moncade**, St. Bruno (CA)

(73) Assignee: **152310 Canada**, Brossard (CA)

(\*\*) Term: **14 Years**

(21) Appl. No.: **29/490,589**

(22) Filed: **May 12, 2014**

(51) **LOC (10) Cl.** ..... **08-05**

(52) **U.S. Cl.**  
USPC ..... **D8/377**

(58) **Field of Classification Search**  
USPC ..... D25/126; D8/377  
CPC ..... E04F 19/022; E04F 19/06; E04F 19/062;  
E04F 2201/0511; E04F 2201/0517; E04F  
2201/00; E04F 2013/066; E04F 13/06; E04F  
13/08; E04F 19/065; E04B 2/7407; E04B  
2/7827; E04B 2/7401

See application file for complete search history.

(56) **References Cited**

U.S. PATENT DOCUMENTS

3,458,963 A *	8/1969	Klein .....	E04F 13/08 52/278
6,189,273 B1 *	2/2001	Larson .....	E04F 13/06 52/255
D502,090 S *	2/2005	Castellanos .....	D8/377
D585,267 S *	1/2009	Di Vinadio .....	D8/377
2010/0236169 A1 *	9/2010	Pratt .....	E04F 13/0803 52/287.1
2012/0255249 A1 *	10/2012	Singh .....	E04F 19/065 52/302.1

\* cited by examiner

*Primary Examiner* — Doris Clark

(74) *Attorney, Agent, or Firm* — James A. Italia; Italia IP

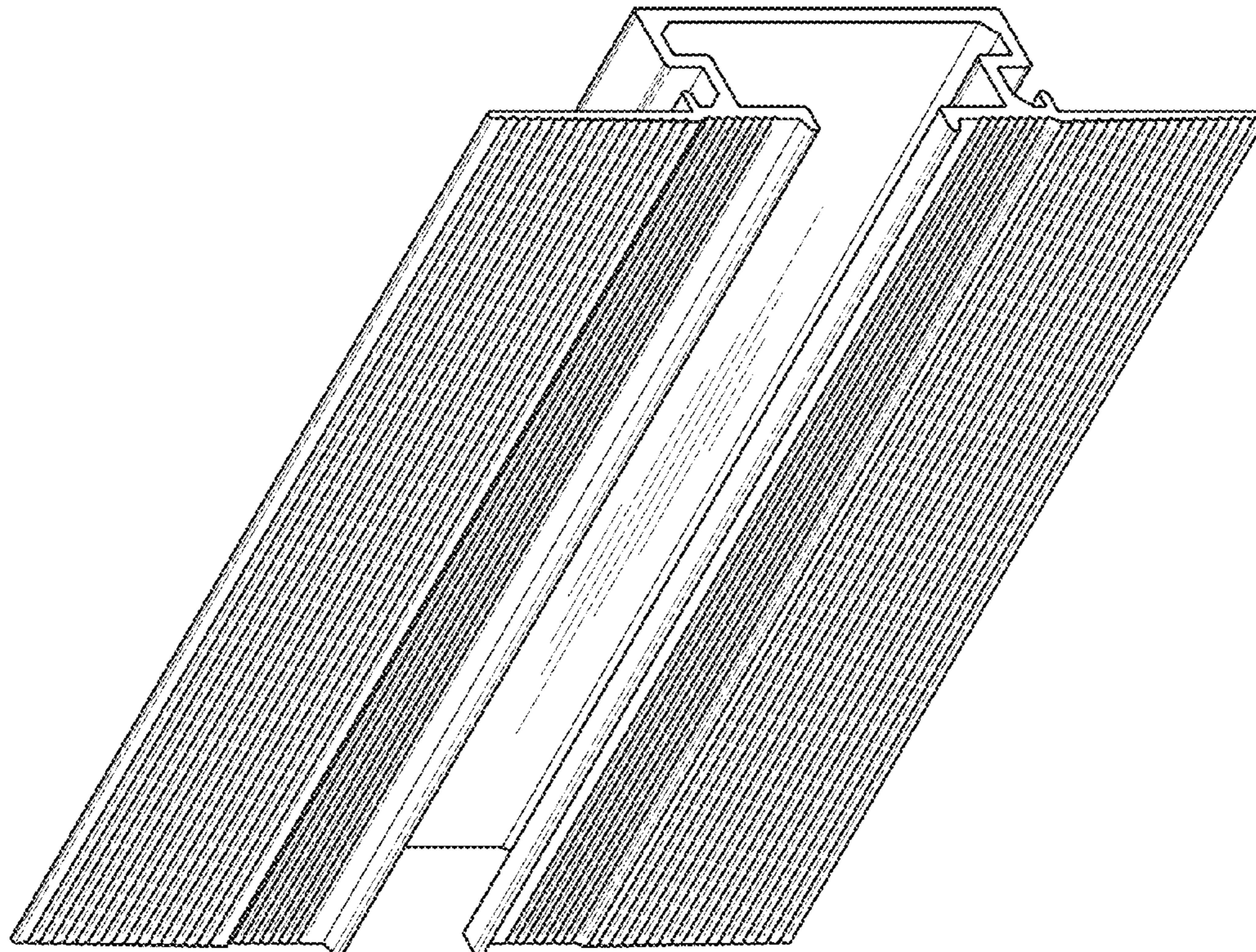
(57) **CLAIM**

The ornamental design for a wall track, as shown and described.

**DESCRIPTION**

FIG. 1 is a perspective view of a wall track, showing our new design;  
FIG. 2 is a front elevational view of the wall track;  
FIG. 3 is a rear elevational view of the wall track;  
FIG. 4 is a right-side elevational view of the wall track;  
FIG. 5 is a left-side elevational view of the wall track;  
FIG. 6 is a top plan view of the wall track; and,  
FIG. 7 is a bottom plan view of the wall track.

**1 Claim, 4 Drawing Sheets**



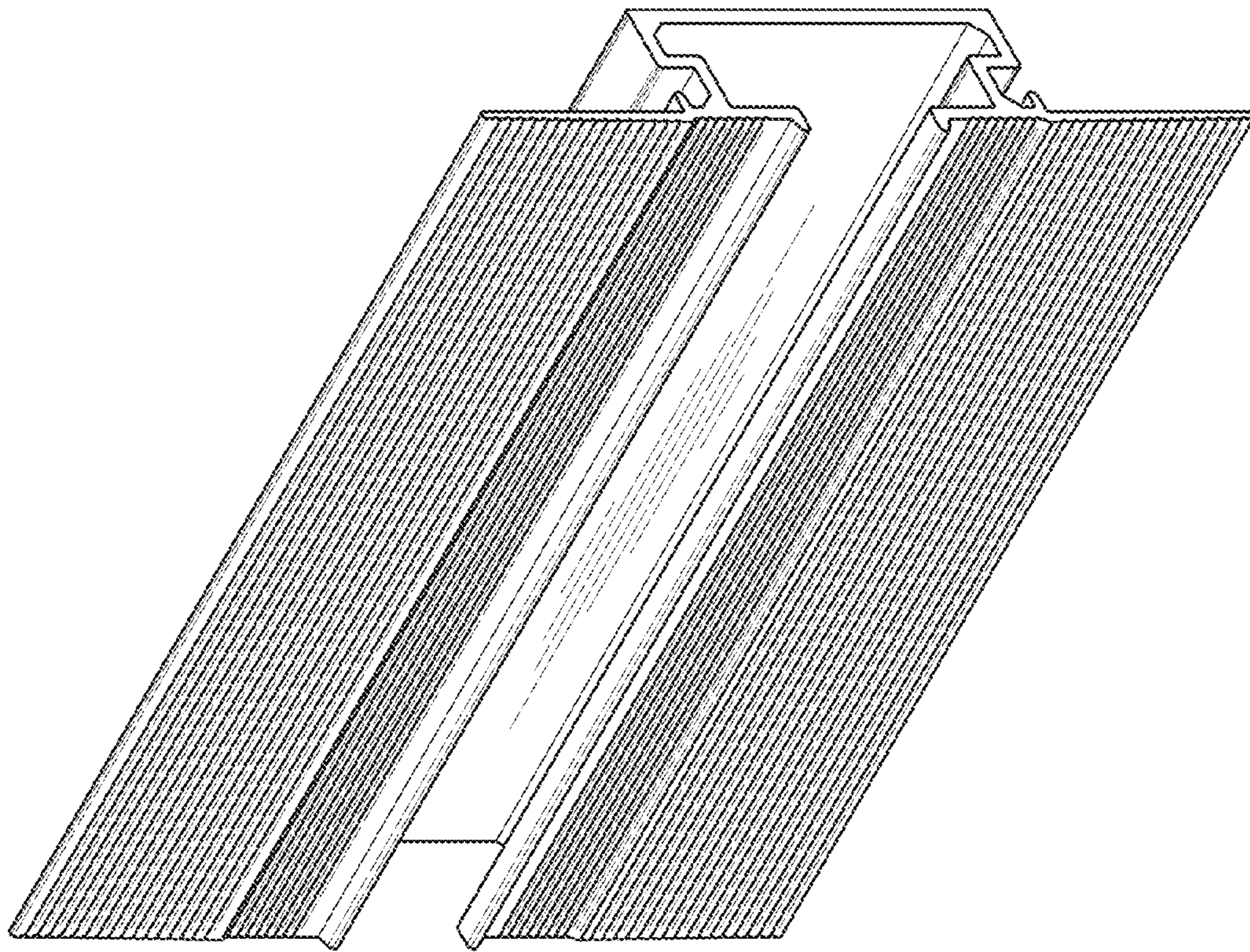


FIG. 1

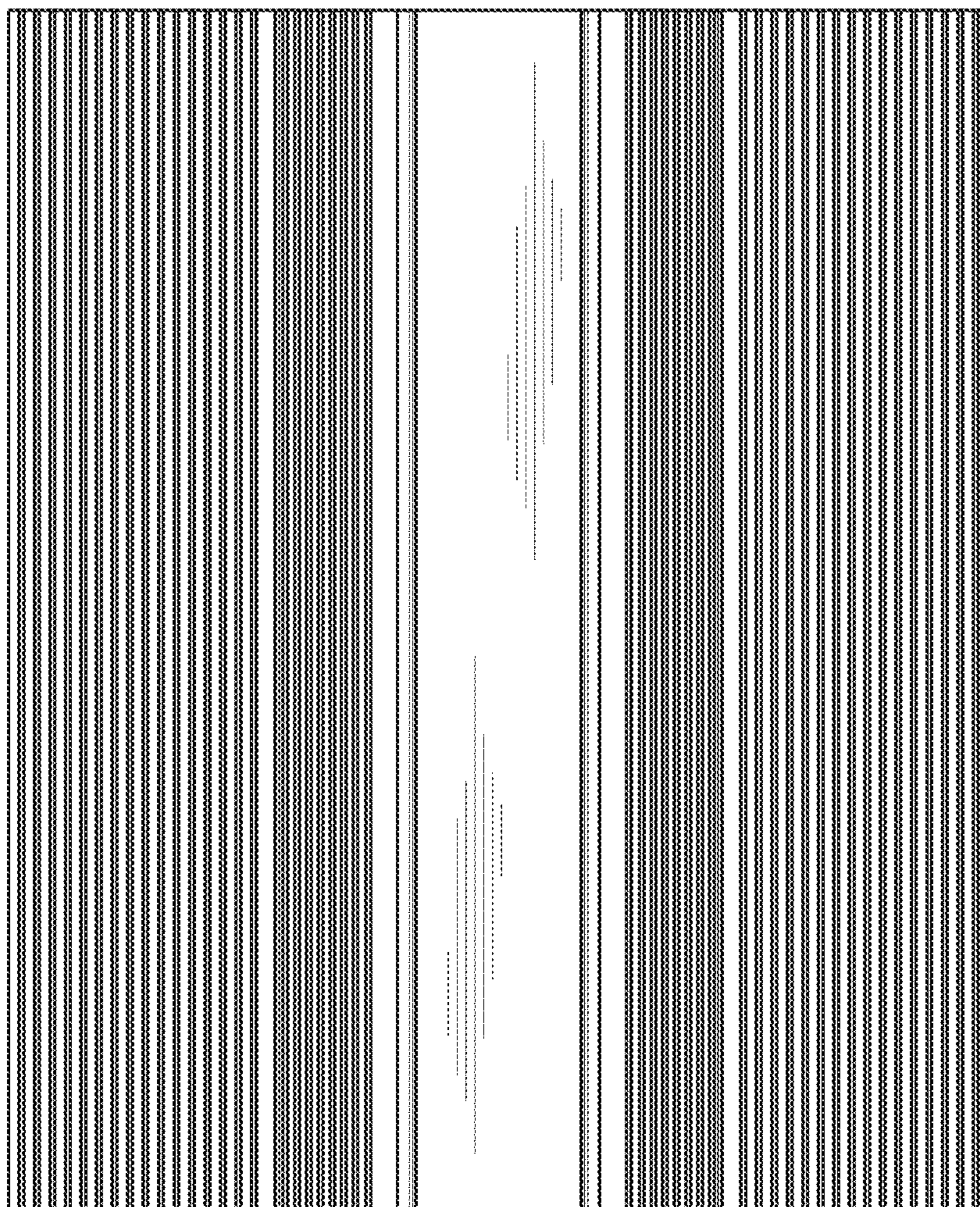


FIG. 2

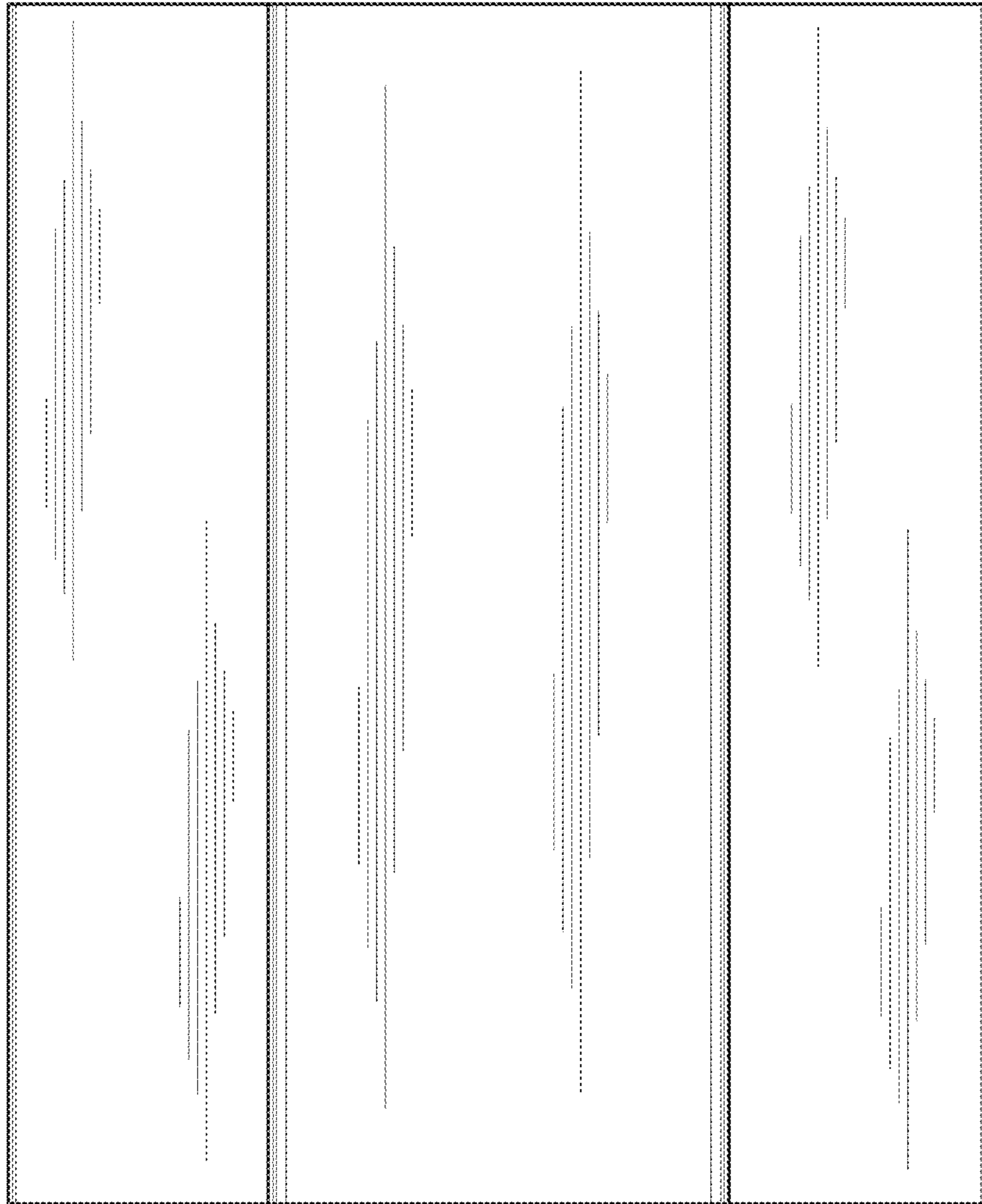


FIG. 3

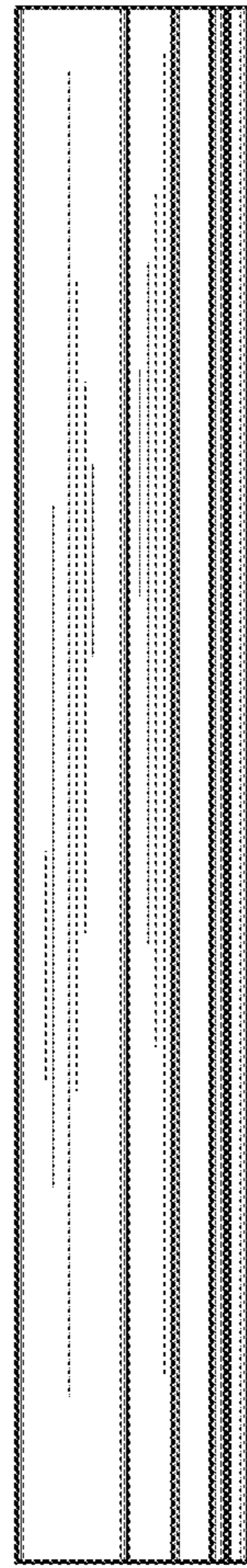


FIG. 4

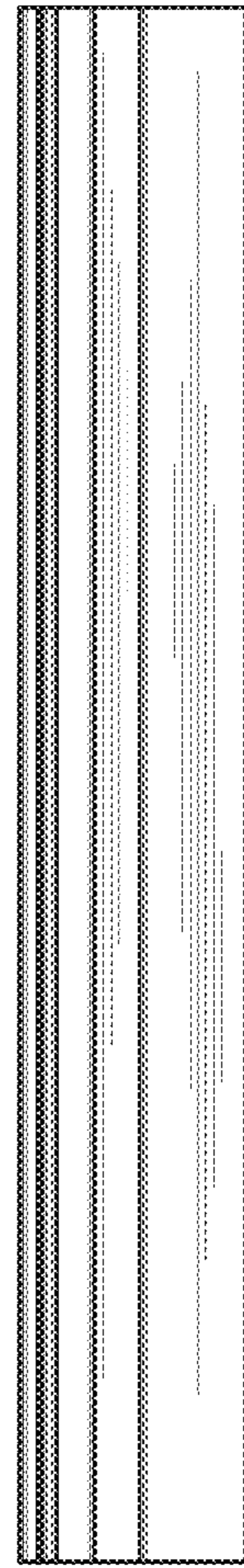


FIG. 5

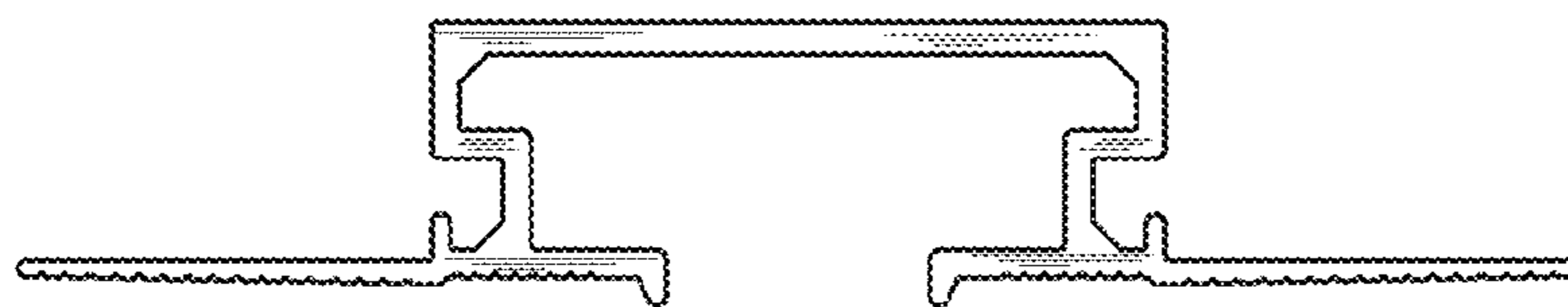


FIG. 6

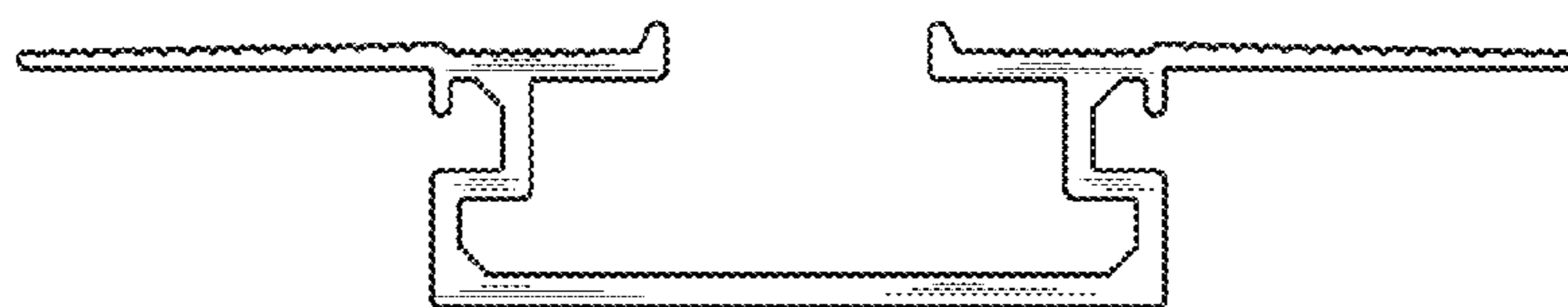


FIG. 7