



US00D752421S

(12) **United States Design Patent**
Atkins

(10) **Patent No.:** **US D752,421 S**
(45) **Date of Patent:** **** Mar. 29, 2016**

(54) **SHOWER ROD MOUNTING BRACKET USED TO MOUNT A CURVED SHOWER ROD**

(71) Applicant: **Joseph Garland Atkins**, Kernersville, NC (US)

(72) Inventor: **Joseph Garland Atkins**, Kernersville, NC (US)

(**) Term: **14 Years**

(21) Appl. No.: **29/484,406**

(22) Filed: **Mar. 10, 2014**

(51) **LOC (10) Cl.** **08-05**

(52) **U.S. Cl.**
USPC **D8/373**

(58) **Field of Classification Search**

USPC D8/373, 363

CPC A47F 5/00; A47H 1/10; A47G 29/00;
A47G 29/08; A47B 97/00; A47B 47/00

See application file for complete search history.

(56) **References Cited**

U.S. PATENT DOCUMENTS

D287,817 S * 1/1987 Henin 49/388
D365,658 S * 12/1995 Burch D26/138

* cited by examiner

Primary Examiner — Holly Baynham

(57) **CLAIM**

I claim the ornamental design for a shower rod mounting bracket used to mount a curved shower rod, as shown and described.

DESCRIPTION

FIG. 1 is a perspective view of the ornamental design for a curved shower rod mounting bracket.

FIG. 2 is the top view showing the position of one bracket assembly between a wall and a curved shower rod.

FIG. 3 is the bottom view.

FIG. 4 is a right side view.

FIG. 5 is a left side view.

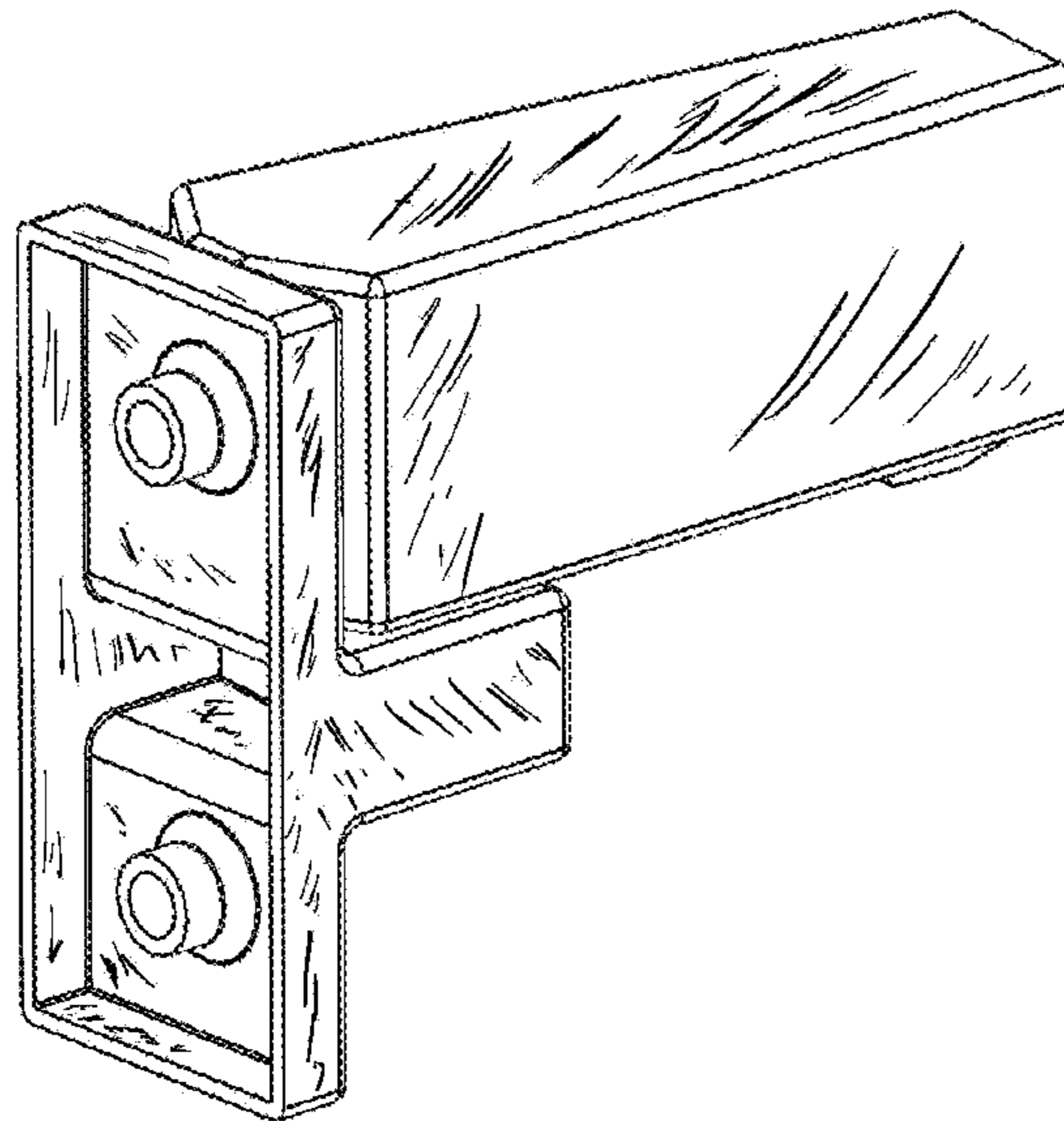
FIG. 6 is front of the bracket assembly showing the opening for receiving a curved rod. The holder would be slightly rotated to receive a curved shower rod.

FIG. 7 is a view showing rotation of the holder in a first direction for receiving a curved shower rod. The extent or rotation shown in this view is greater than normal, and would show the relative positions of the bracket assembly components when used with a shower rod having an extreme amount of curvature; and,

FIG. 8 is a view showing the shower rod holder rotated relative to the wall mountable bracket in a direction opposite to that shown in FIG. 7. Bracket assemblies in the positions shown in FIGS. 7 and 8 could be used at opposite ends of the same curved shower rod.

The structures depicted by broken lines illustrate the intended use of the design and are not considered to be part of the design. The ornamental design comprises a bracket assembly mounted to a dotted line wall shown by dashed lines with the curved shower rod also shown by dashed lines extending from the shower rod bracket assembly. The curvature of the shower rod is small is not apparent due to the scale of the drawings. The bracket assembly comprises a first wall mountable bracket and a second holder engaging a curved shower rod. The holder can be rotated relative to the wall mounted bracket. A bracket assembly would be mounted on each end of the curved shower rod. FIGS. 6, 7, and 8 show the rotation capability to use the same bracket for both sides of the shower rod.

1 Claim, 8 Drawing Sheets



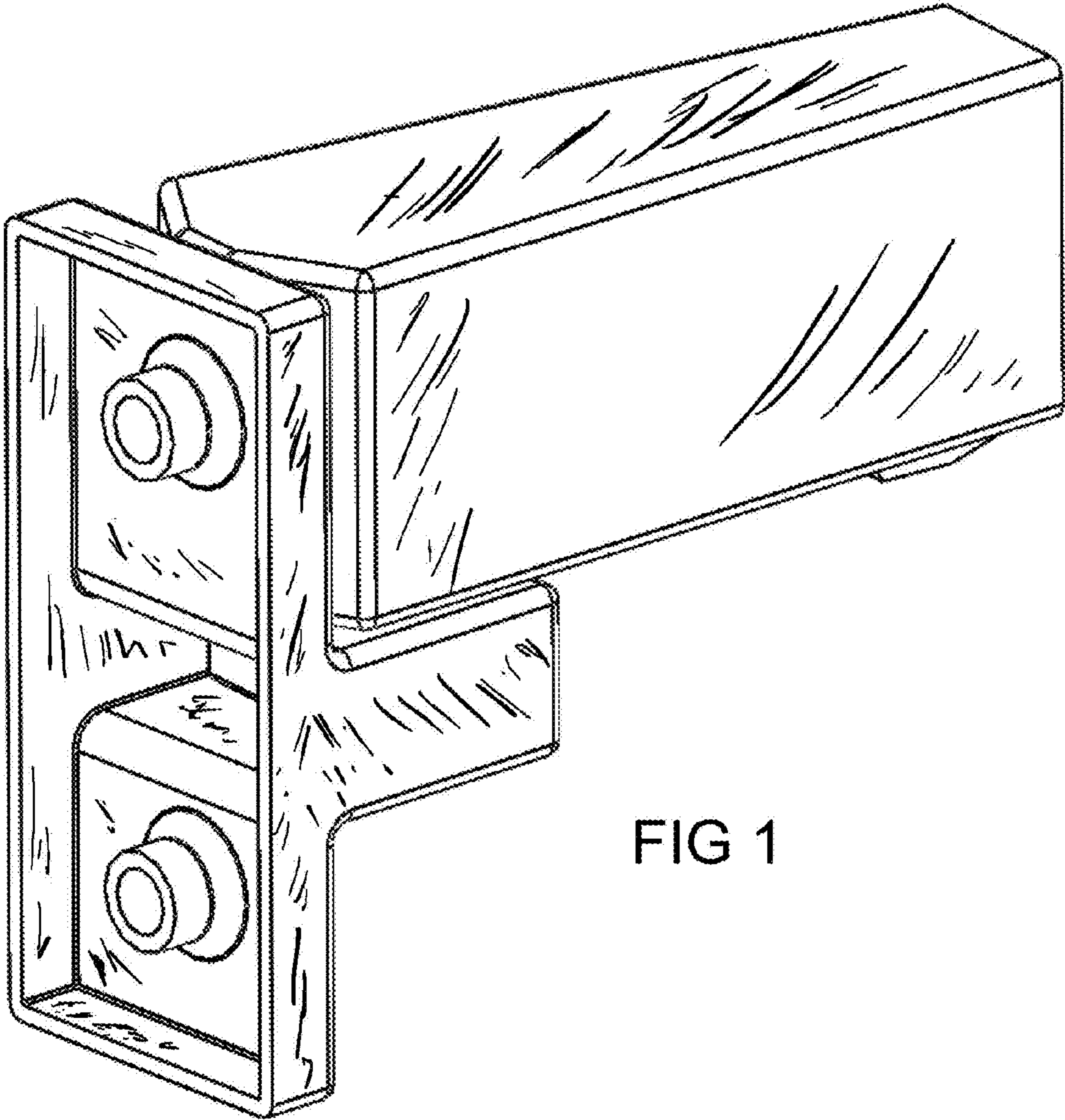
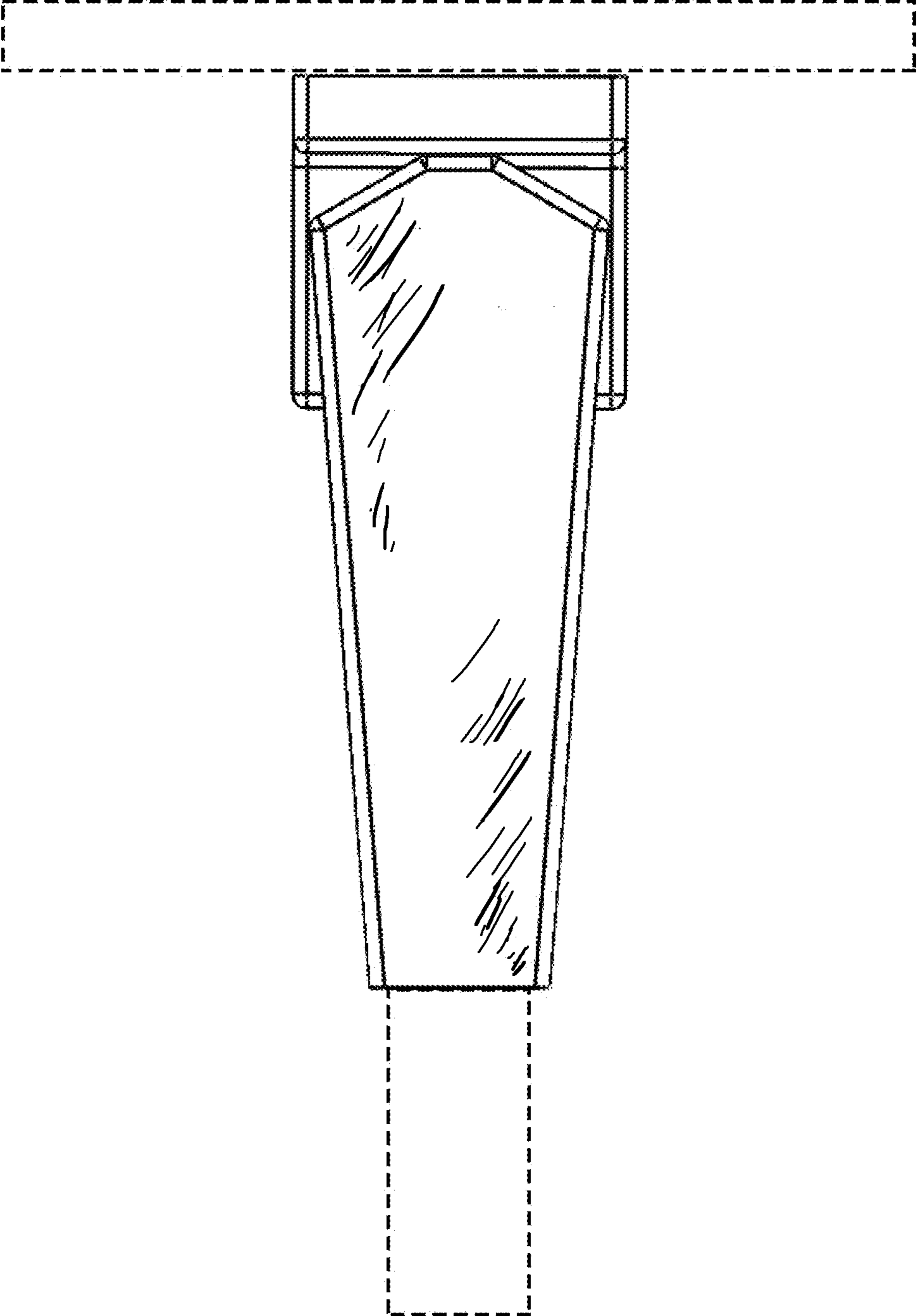


FIG 1

FIG 2



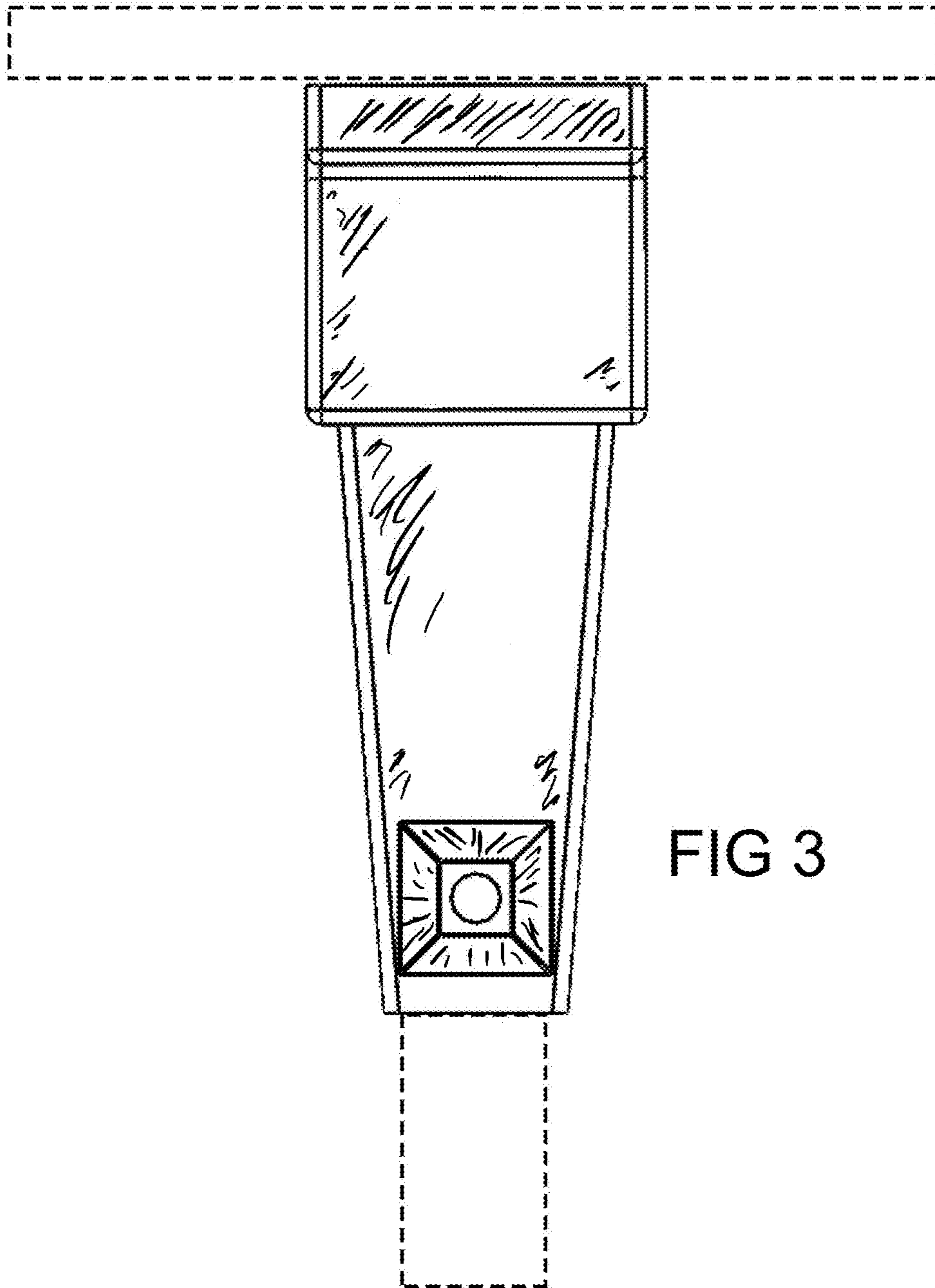


FIG 3

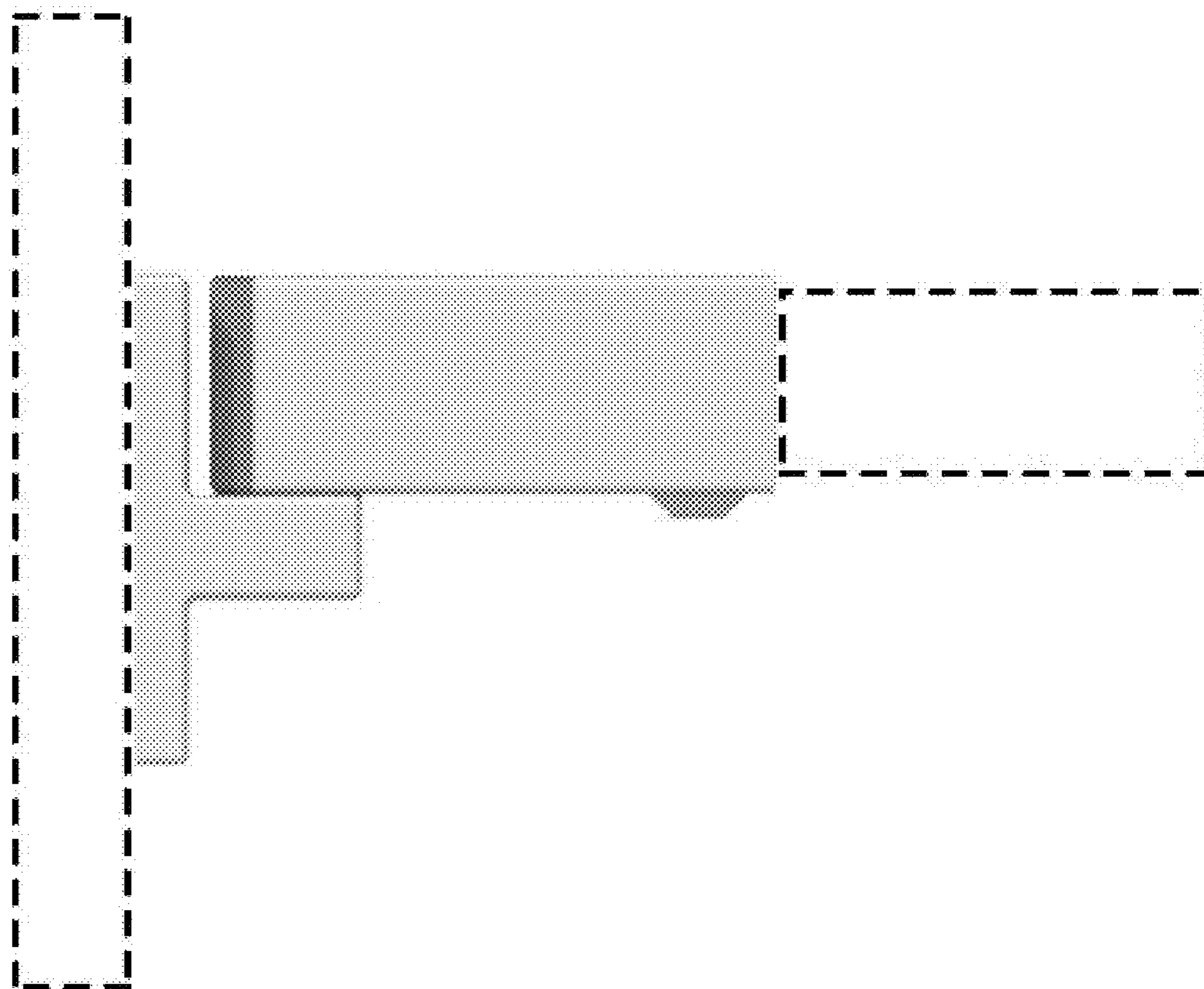


Fig 4

FIG 5

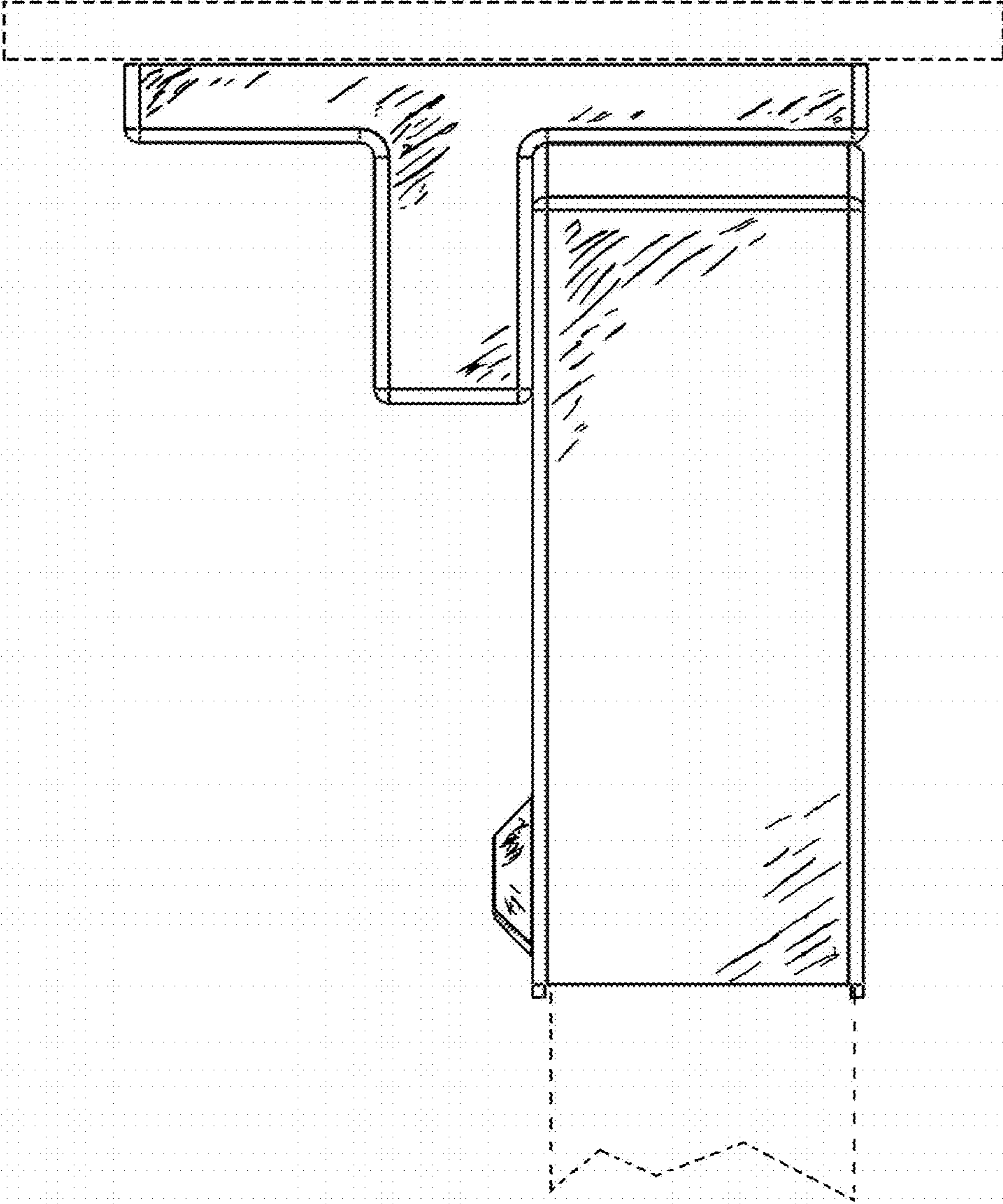


FIG 6

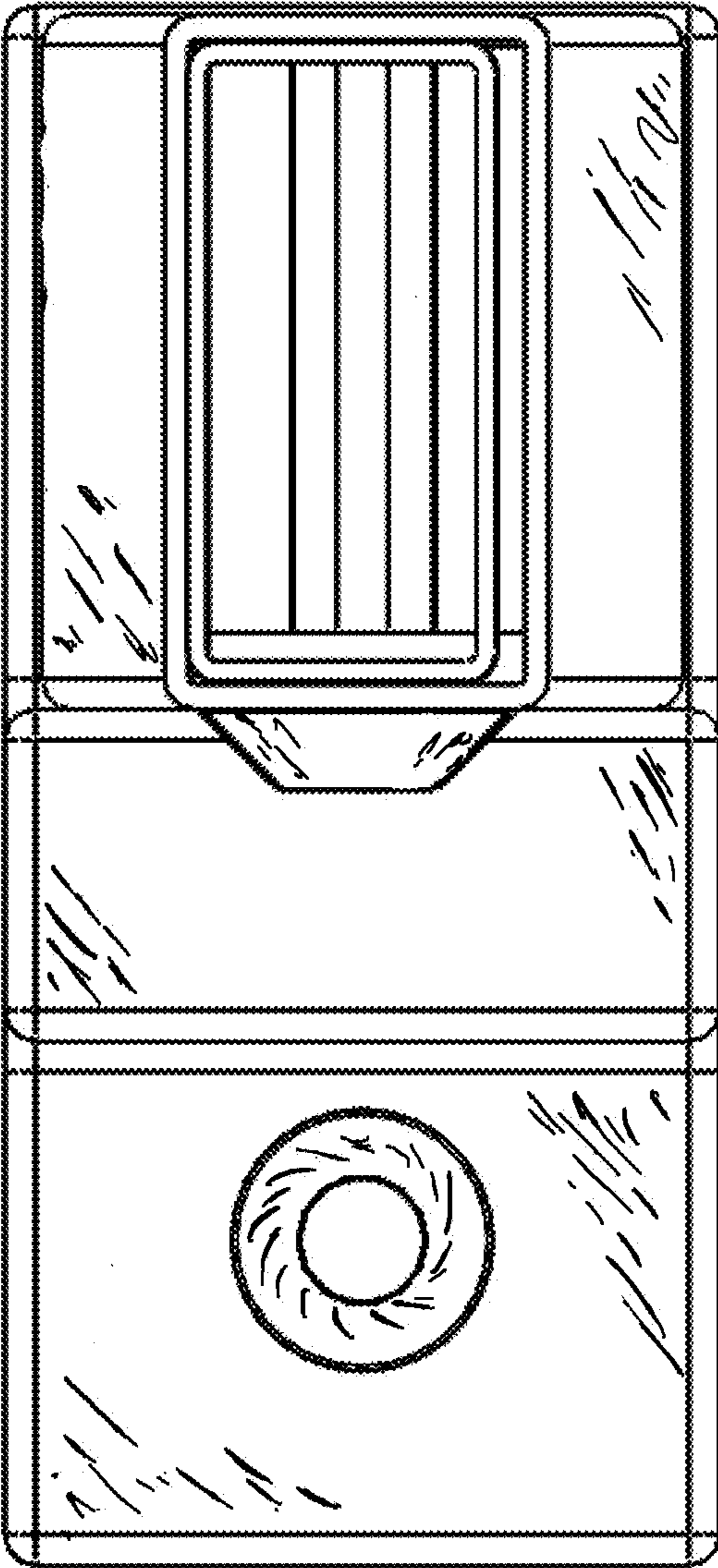


FIG 7

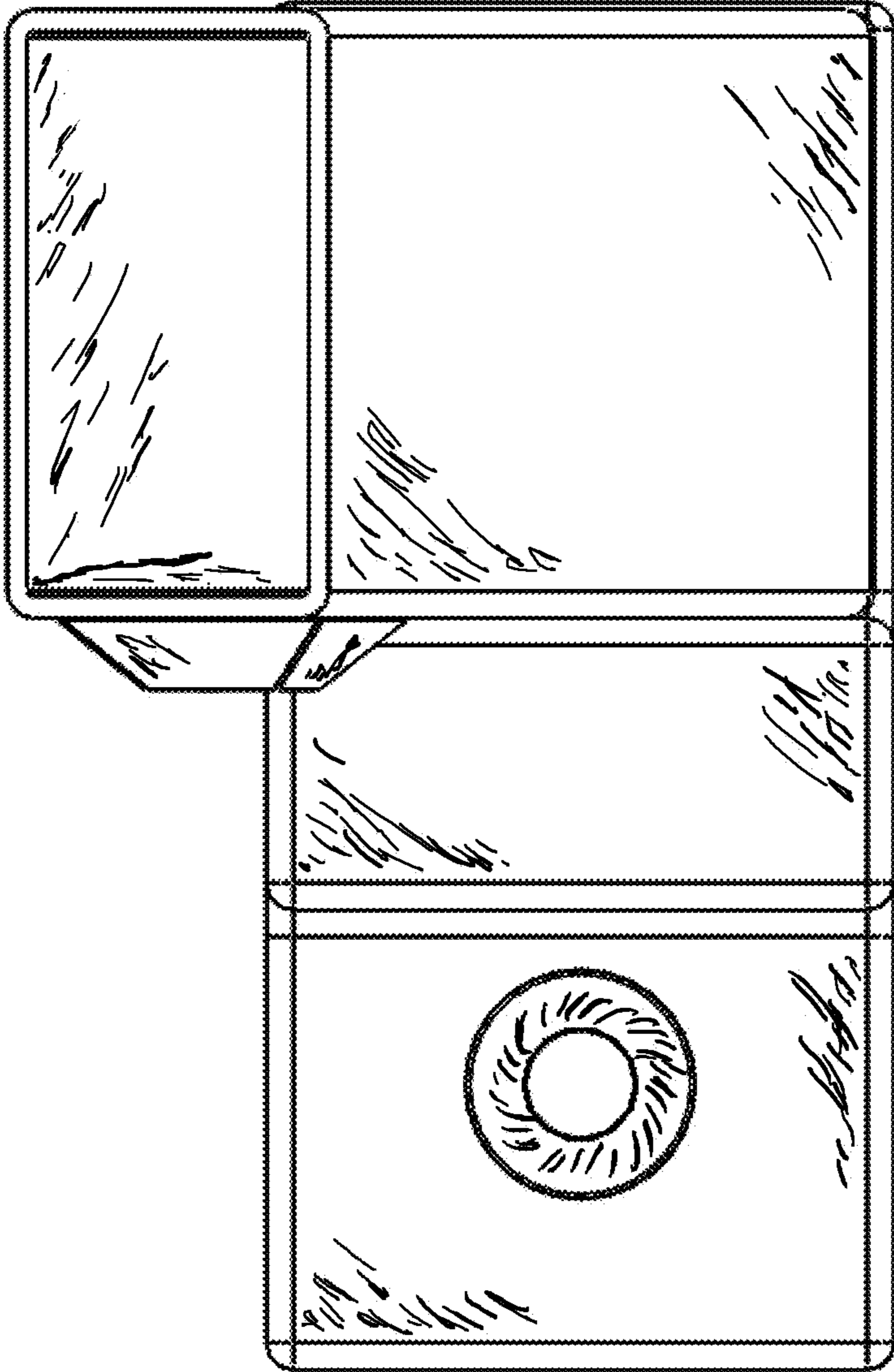


FIG 8

