

US00D752419S

(12) **United States Design Patent**  
**Greene**

(10) **Patent No.:** **US D752,419 S**  
(45) **Date of Patent:** **\*\* Mar. 29, 2016**

- (54) **CLIP**
- (71) Applicant: **Ellen Greene**, New York, NY (US)
- (72) Inventor: **Ellen Greene**, New York, NY (US)
- (\*\*) Term: **14 Years**
- (21) Appl. No.: **29/522,568**
- (22) Filed: **Mar. 31, 2015**
- (51) **LOC (10) Cl.** ..... **08-05**
- (52) **U.S. Cl.**  
USPC ..... **D8/367**
- (58) **Field of Classification Search**  
USPC ..... D8/356, 354, 349, 367; D11/218;  
137/355.27  
CPC ..... F16B 1/00; F16B 2/20; Y10T 24/45199;  
B60N 2/26; F16G 1/00; H02G 3/24  
See application file for complete search history.

D465,405 S *	11/2002	Becquevort	.....	D8/367
D619,448 S *	7/2010	Shepardson	.....	D8/367
D619,877 S *	7/2010	Siebuhr	.....	D8/354
D654,352 S *	2/2012	Blocker	.....	D8/367
D700,504 S *	3/2014	Blocker	.....	D8/367
D712,725 S *	9/2014	Wu	.....	D8/367
D734,133 S *	7/2015	Spindler	.....	D8/367
D735,563 S *	8/2015	Kelley	.....	D8/367
D736,063 S *	8/2015	White	.....	D8/354
2013/0298493 A1 *	11/2013	Guthrie	.....	E04G 21/3276 52/704

\* cited by examiner

*Primary Examiner* — Cynthia Underwood  
(74) *Attorney, Agent, or Firm* — Tiajolloff & Kelly LLP

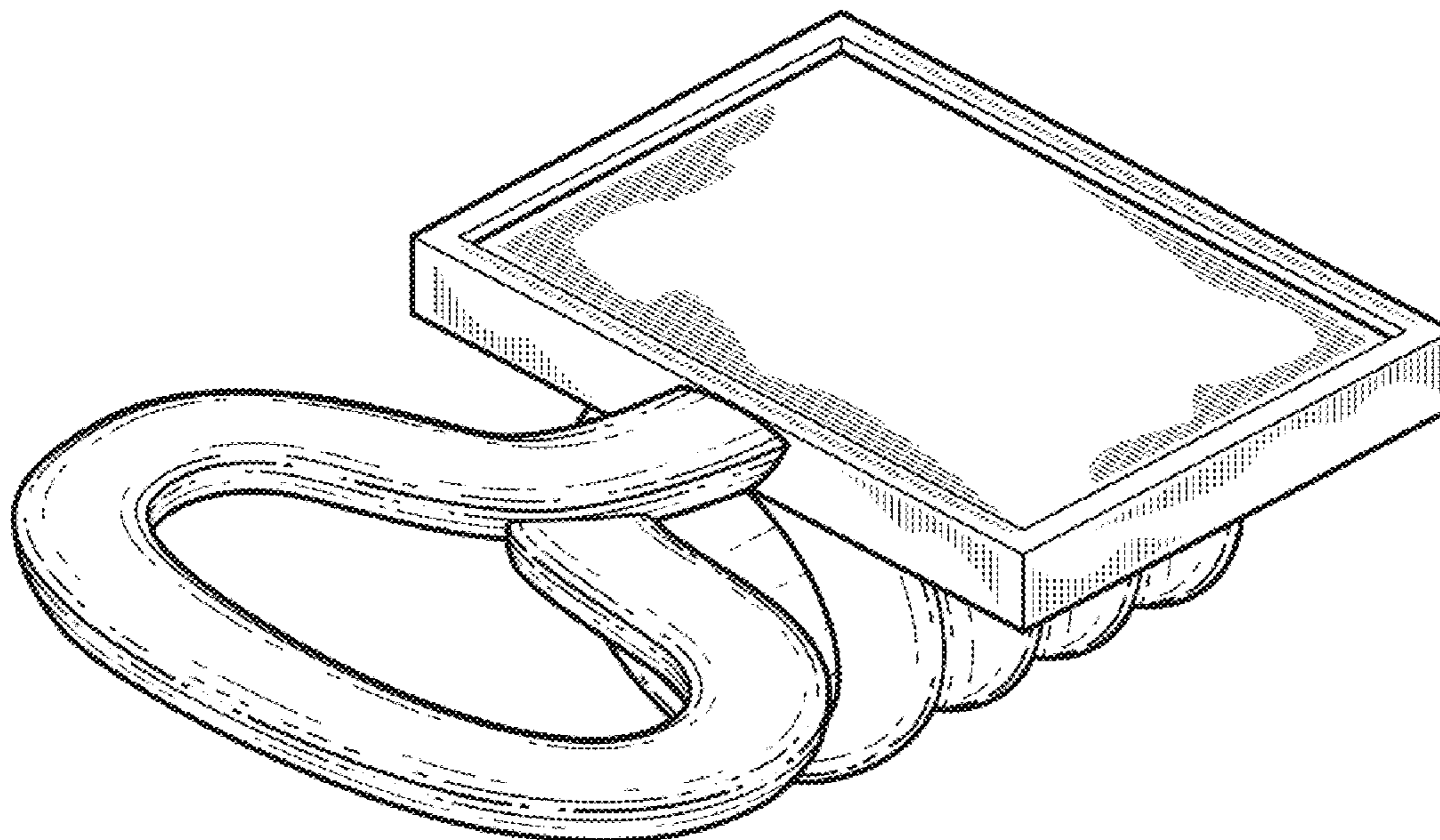
(57) **CLAIM**  
The ornamental design for a clip, as shown and described.

**DESCRIPTION**

FIG. 1 is an isometric front view of the clip;  
FIG. 2 is a top view thereof;  
FIG. 3 is a front view thereof;  
FIG. 4 is a bottom view thereof;  
FIG. 5 is a rear view thereof;  
FIG. 6 is a right side view thereof; and,  
FIG. 7 is a left side view thereof.

**1 Claim, 3 Drawing Sheets**

- (56) **References Cited**  
U.S. PATENT DOCUMENTS  
2,441,336 A \* 5/1948 Sova ..... B60D 1/187  
24/129 R  
D321,470 S \* 11/1991 Gerrard ..... D30/199



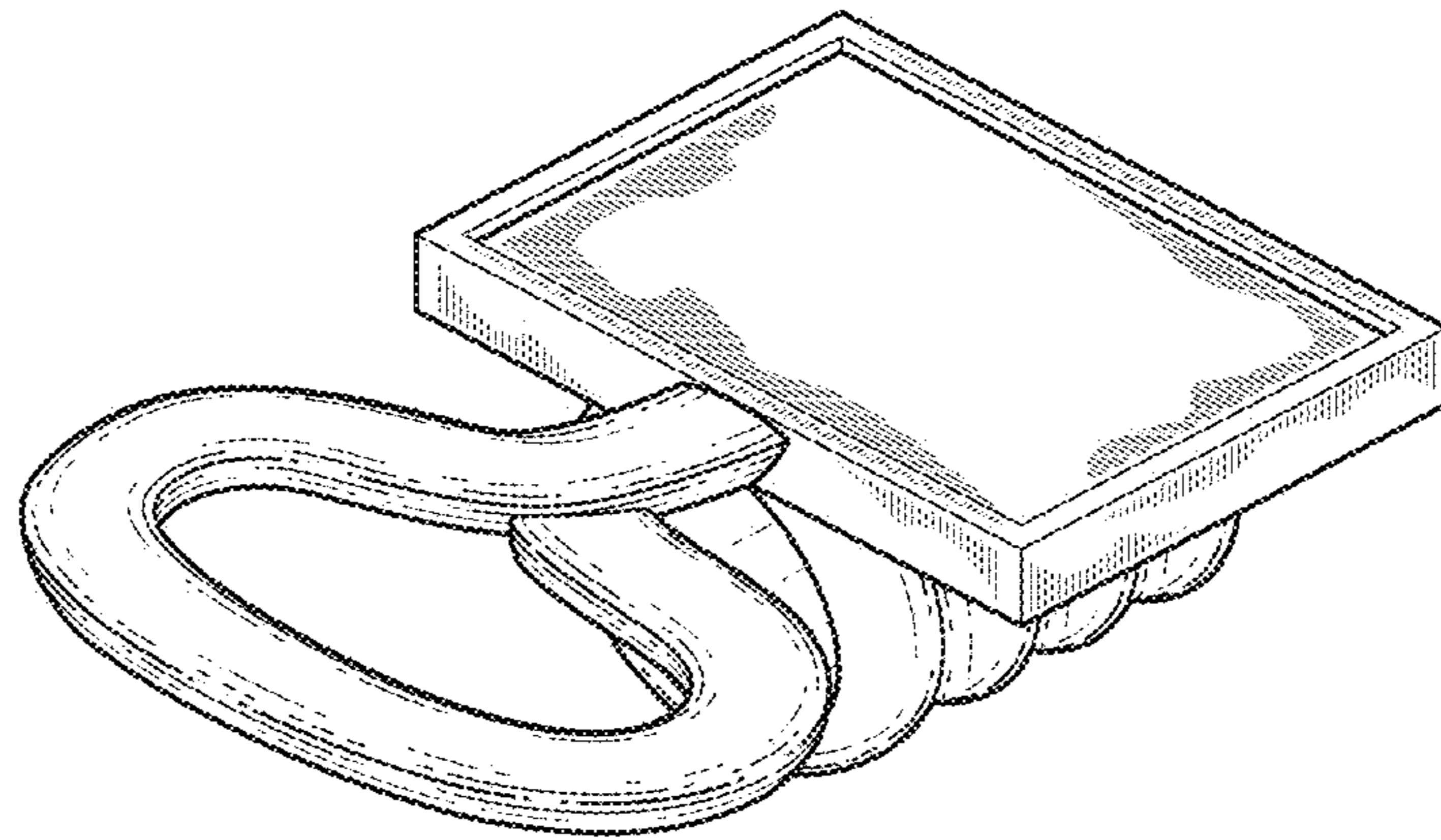


FIG. 1

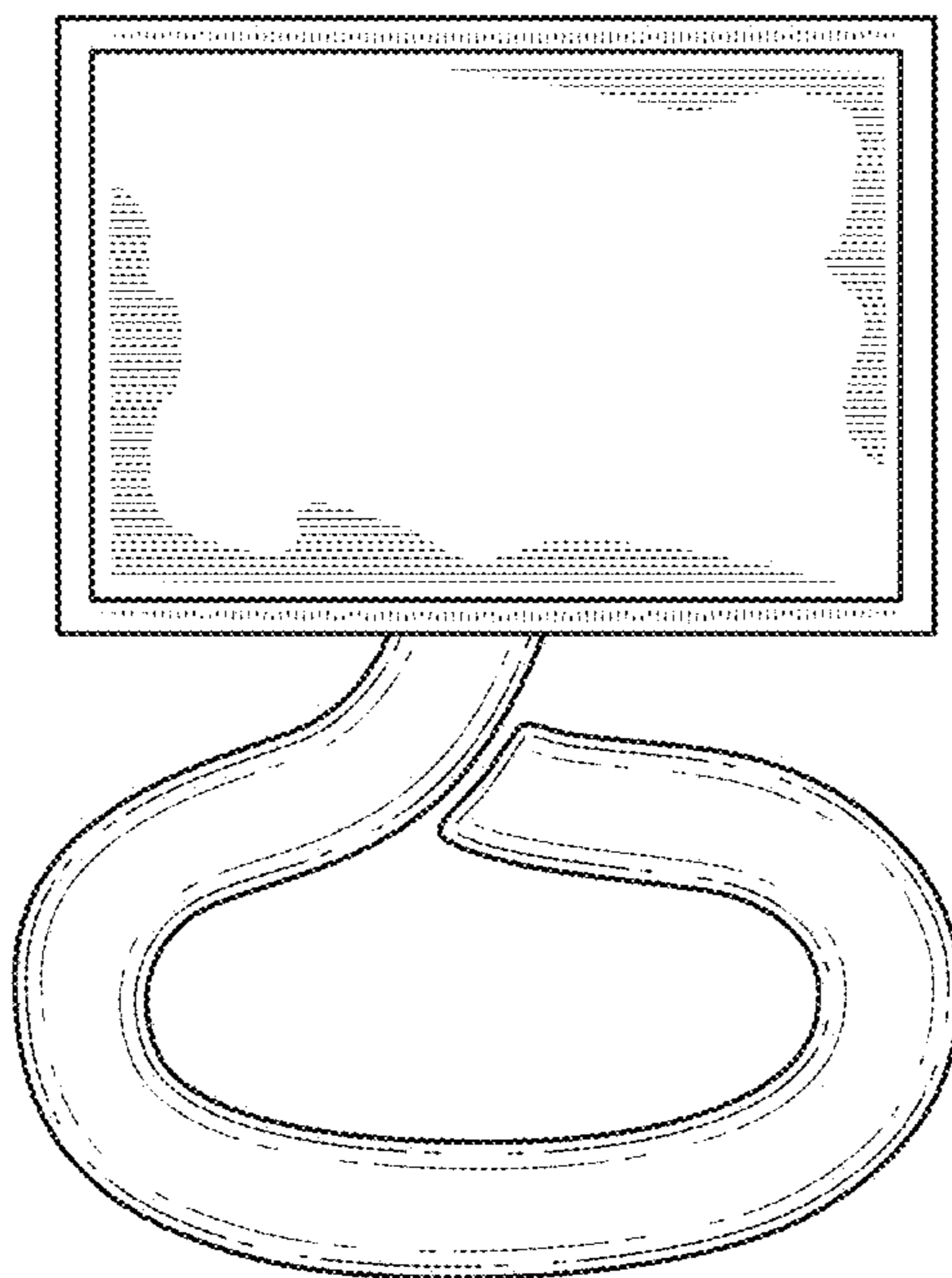


FIG. 2

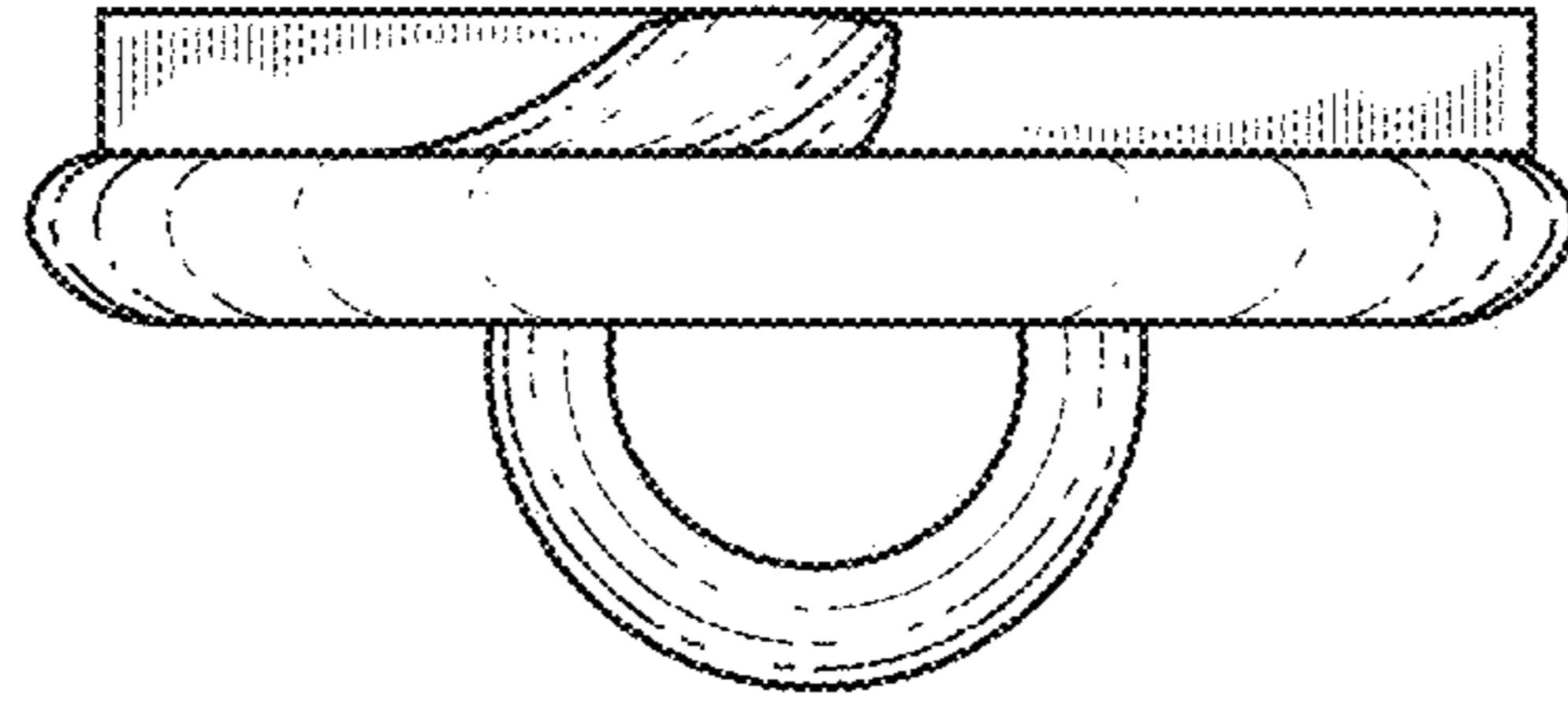


FIG. 3

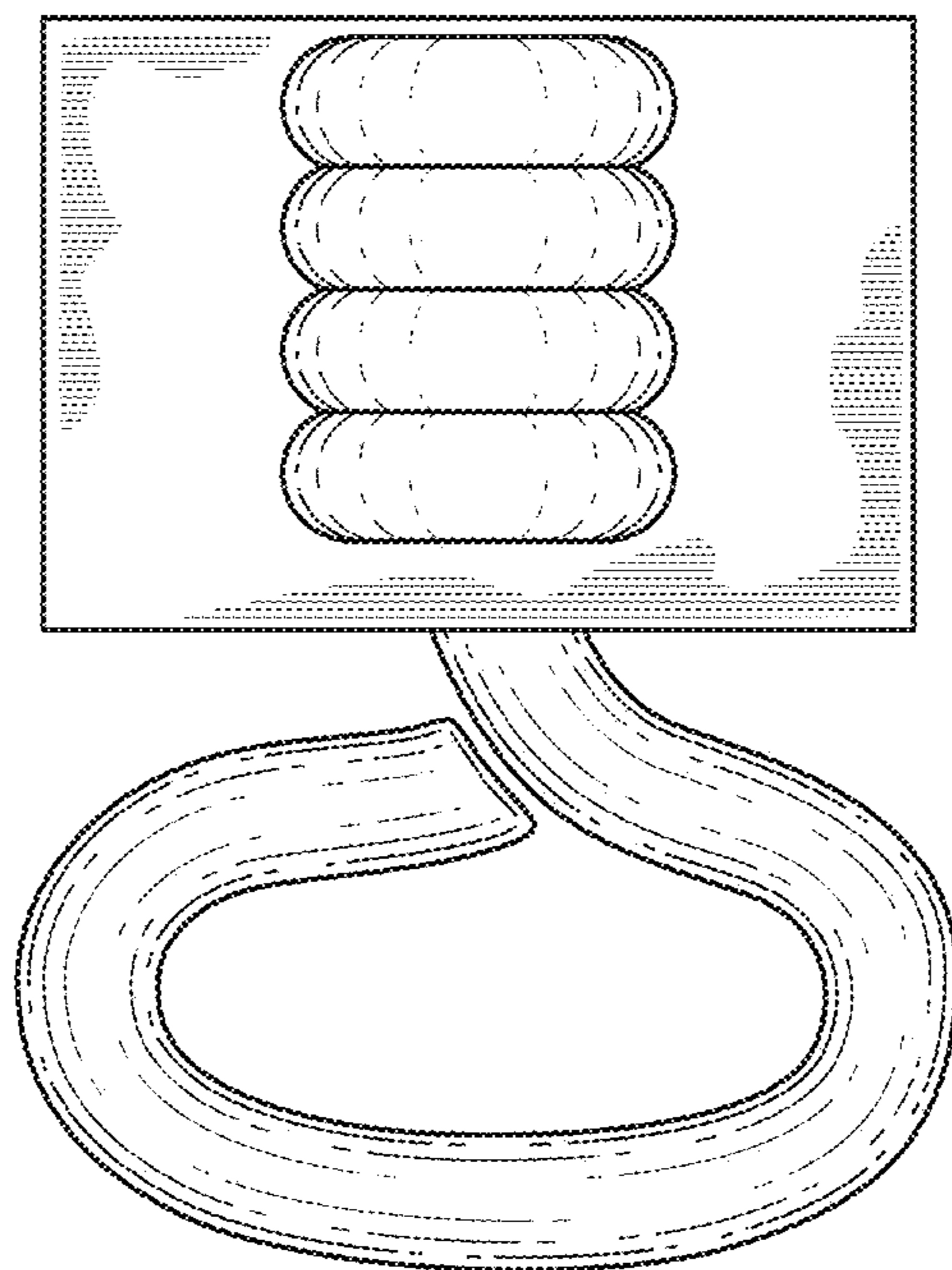


FIG. 4

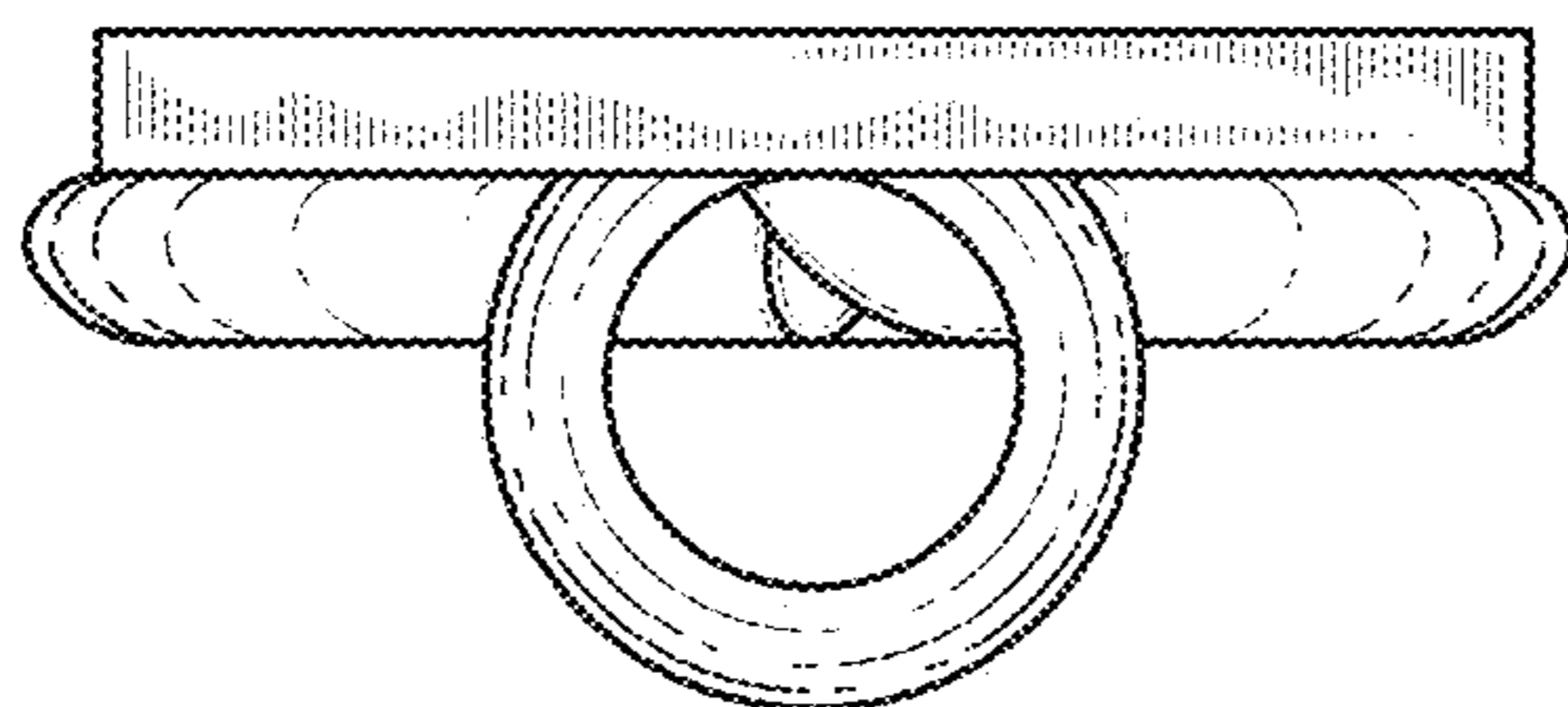


FIG. 5

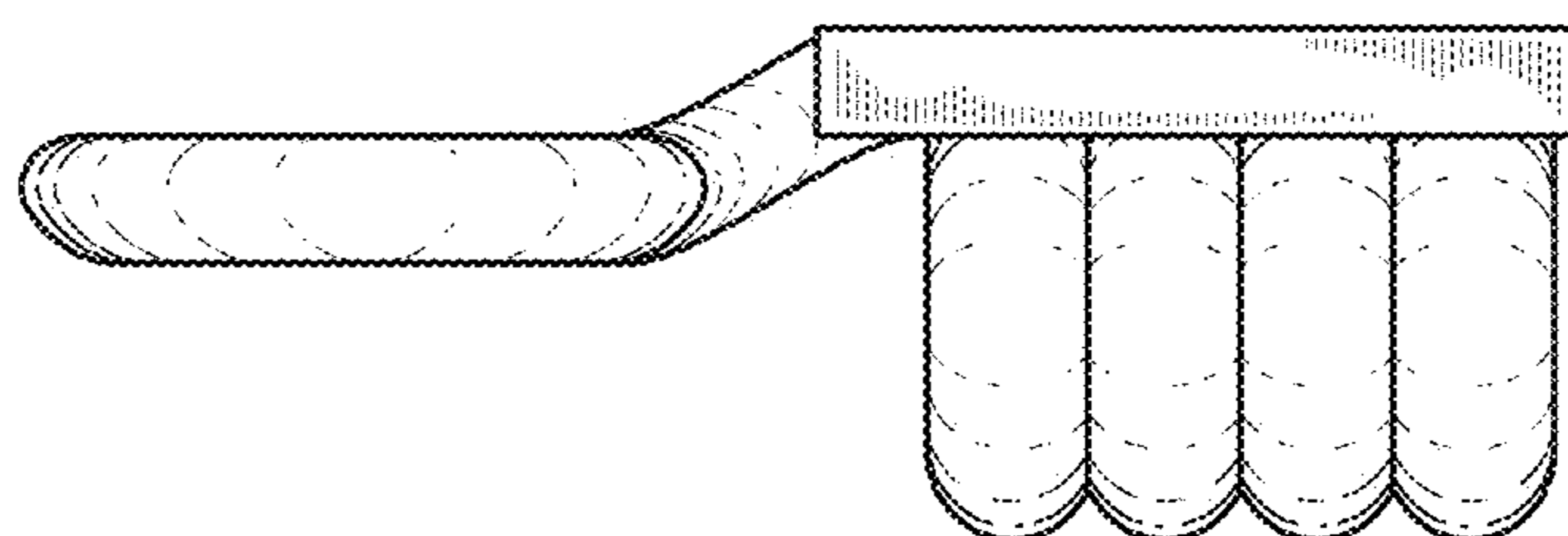


FIG. 6

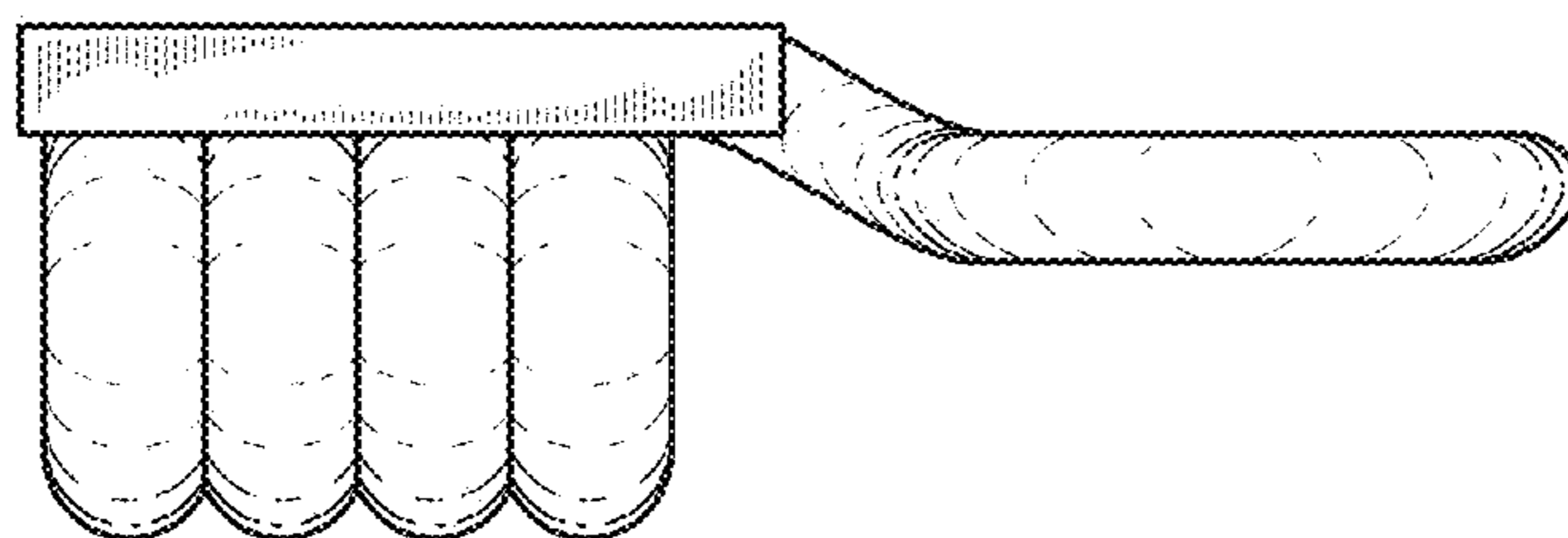


FIG. 7