



US00D752418S

(12) **United States Design Patent**
Stacey et al.

(10) **Patent No.:** **US D752,418 S**
(45) **Date of Patent:** **** Mar. 29, 2016**

(54) **STANCHION RING**

(71) Applicant: **M-R Products, Inc.**, Copemish, MI (US)

(72) Inventors: **Dennis Stacey**, Copemish, MI (US);
Maree Mulvoy, Copemish, MI (US)

(73) Assignee: **M-R Products, Inc.**, Copemish, MI (US)

(**) Term: **14 Years**

(21) Appl. No.: **29/490,686**

(22) Filed: **May 12, 2014**

(51) **LOC (10) Cl.** **08-05**

(52) **U.S. Cl.**
USPC **D8/367**

(58) **Field of Classification Search**
USPC D8/356, 354, 349, 367; D11/218;
137/355.27
CPC F16B 1/00; F16B 2/20; Y10T 24/45199;
B60N 2/26; F16G 1/00; H02G 3/24
See application file for complete search history.

(56) **References Cited**

U.S. PATENT DOCUMENTS

2,441,336 A * 5/1948 Sova B60D 1/187
24/129 R
D321,470 S * 11/1991 Gerrard D30/199

D465,405 S * 11/2002 Becquevort D8/367
D619,448 S * 7/2010 Shepardson D8/367
D619,877 S * 7/2010 Siebuhr D8/354
D654,352 S * 2/2012 Blocker D8/367
D700,504 S * 3/2014 Blocker D8/367
D712,725 S * 9/2014 Wu D8/367
D734,133 S * 7/2015 Spindler D8/367
D735,563 S * 8/2015 Kelley D8/367
D736,063 S * 8/2015 White D8/354
2013/0298493 A1 * 11/2013 Guthrie E04G 21/3276
52/704

* cited by examiner

Primary Examiner — Cynthia Underwood

(74) *Attorney, Agent, or Firm* — Fishman Stewart PLLC

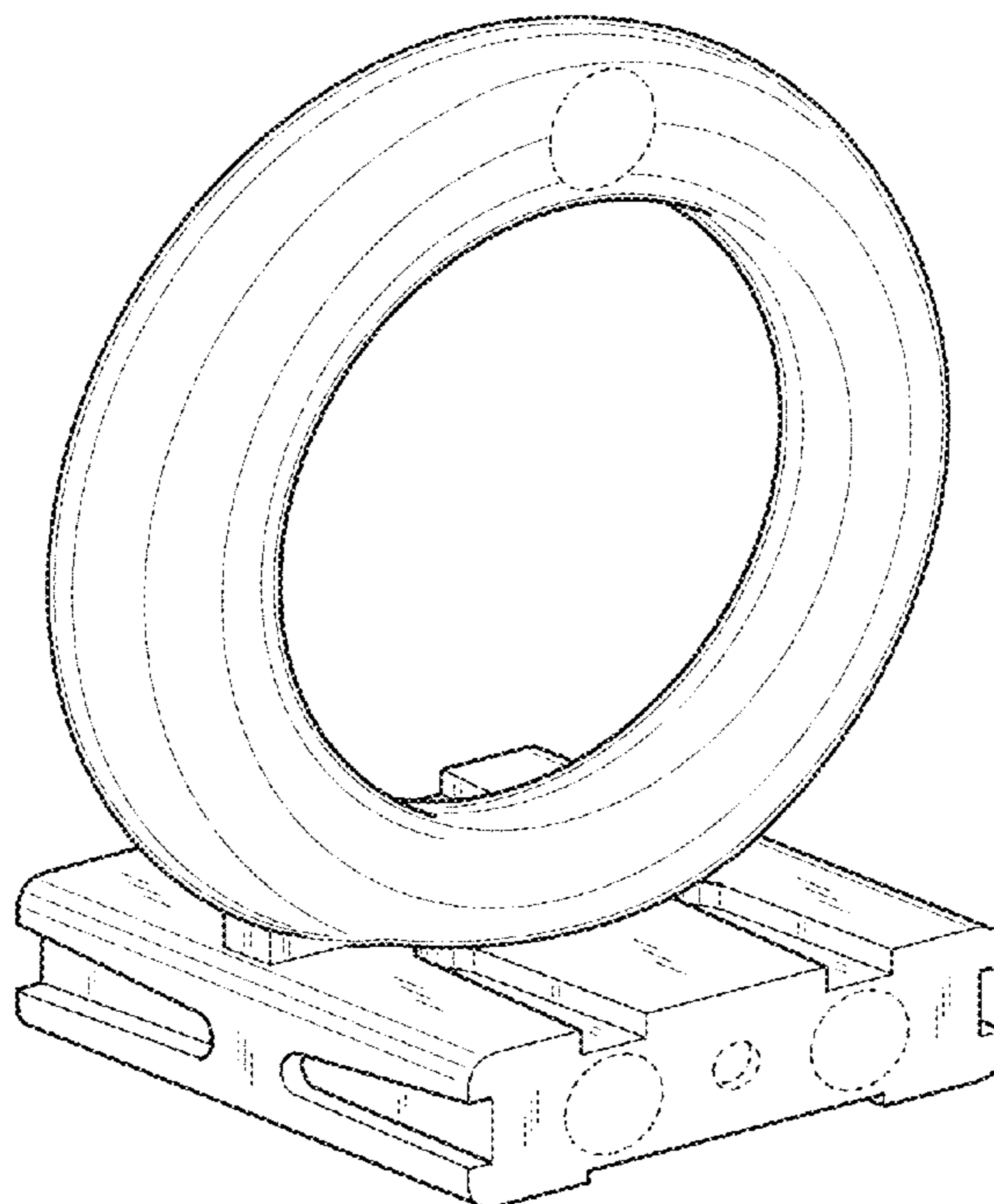
(57) **CLAIM**

The ornamental design for a stanchion ring, as shown and described.

DESCRIPTION

FIG. 1 is a perspective view of a stanchion ring;
FIG. 2 is a rear perspective view of a stanchion ring;
FIG. 3 is a front view of a stanchion ring;
FIG. 4 is a rear view of a stanchion ring;
FIG. 5 is a top view of a stanchion ring;
FIG. 6 is a bottom view of a stanchion ring; and,
FIG. 7 is a side view of a stanchion ring.
The portions of the figures shown in broken lines depict environmental subject matter and form no part of the claim.

1 Claim, 3 Drawing Sheets



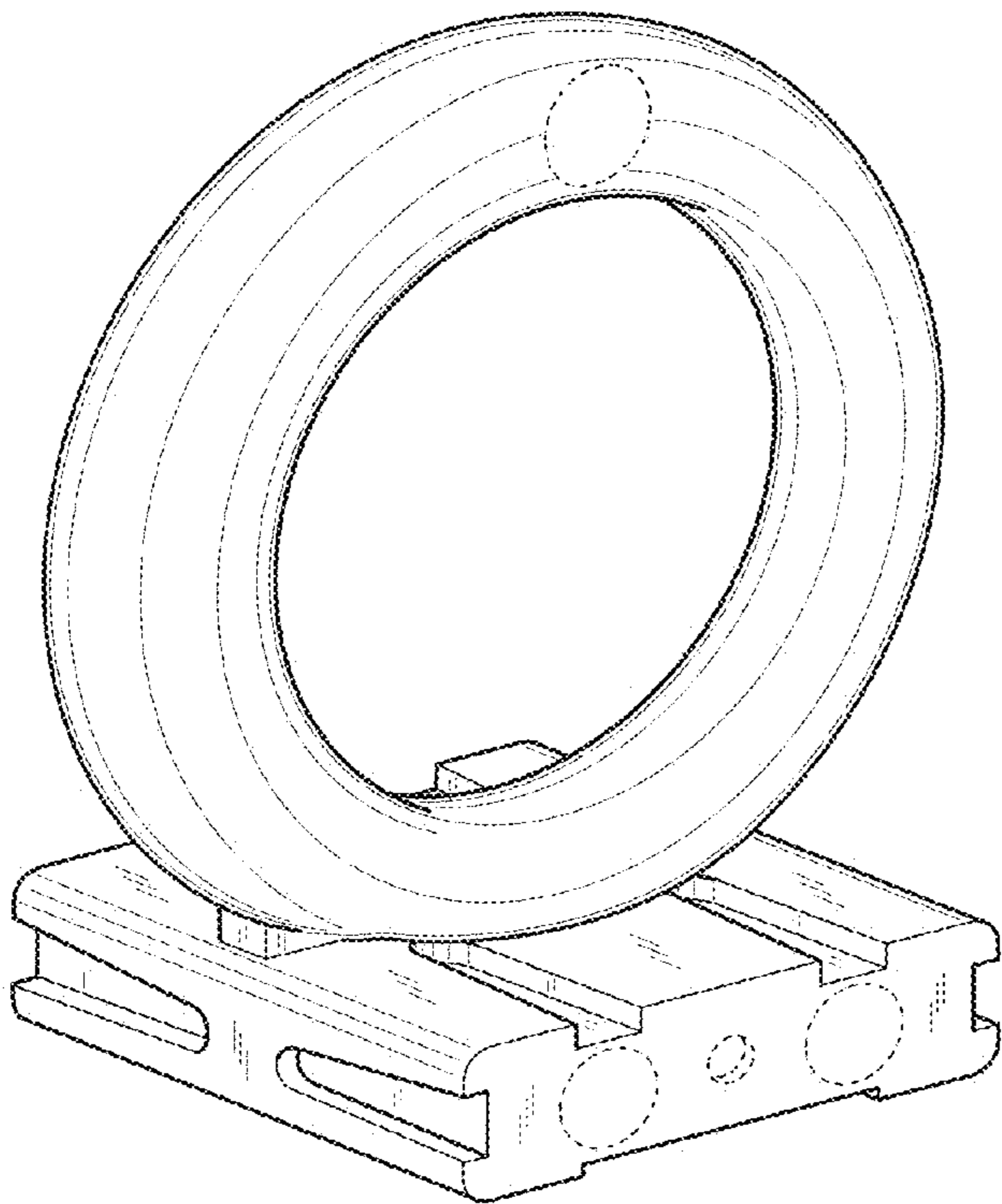


FIG. 1

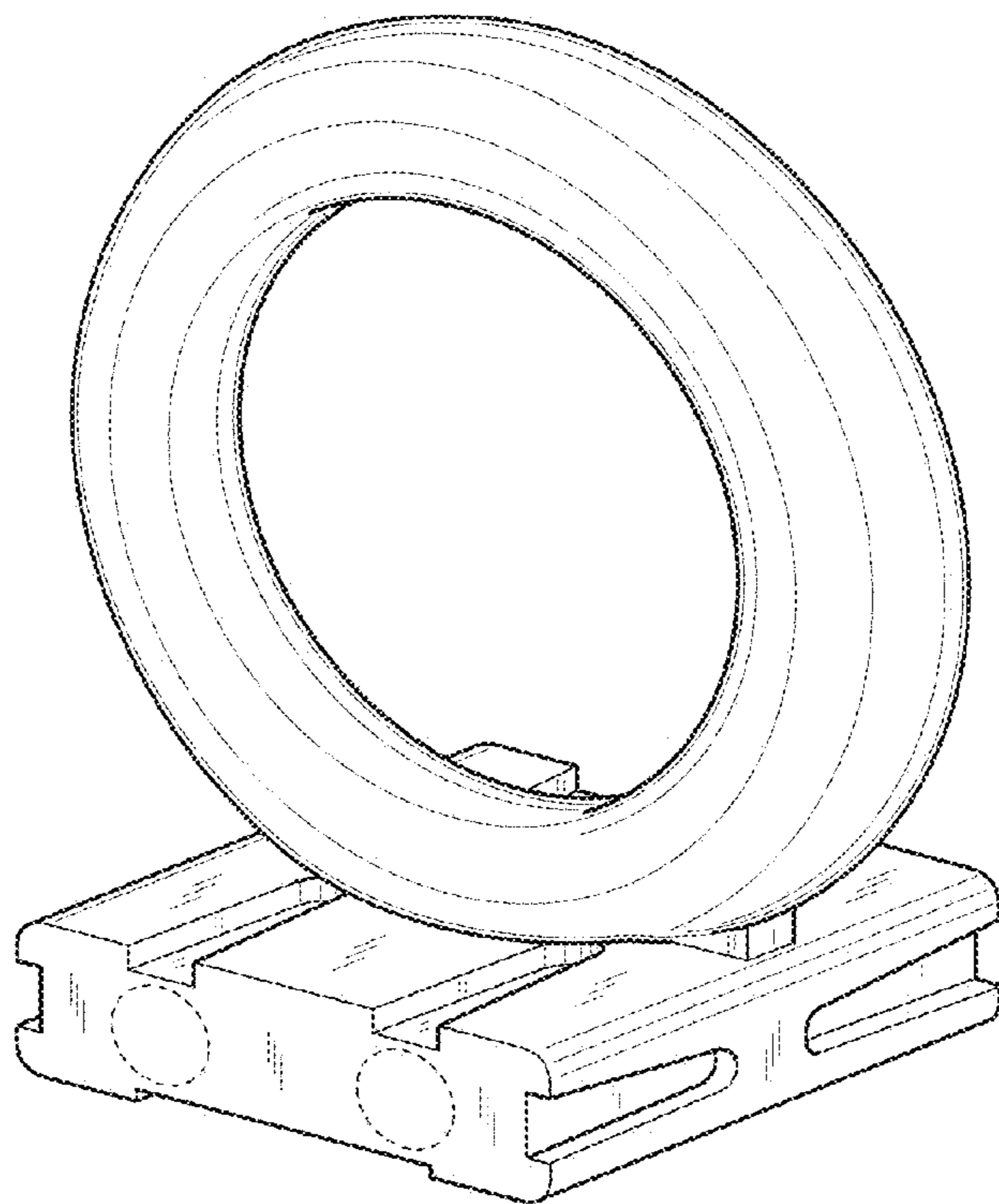


FIG. 2

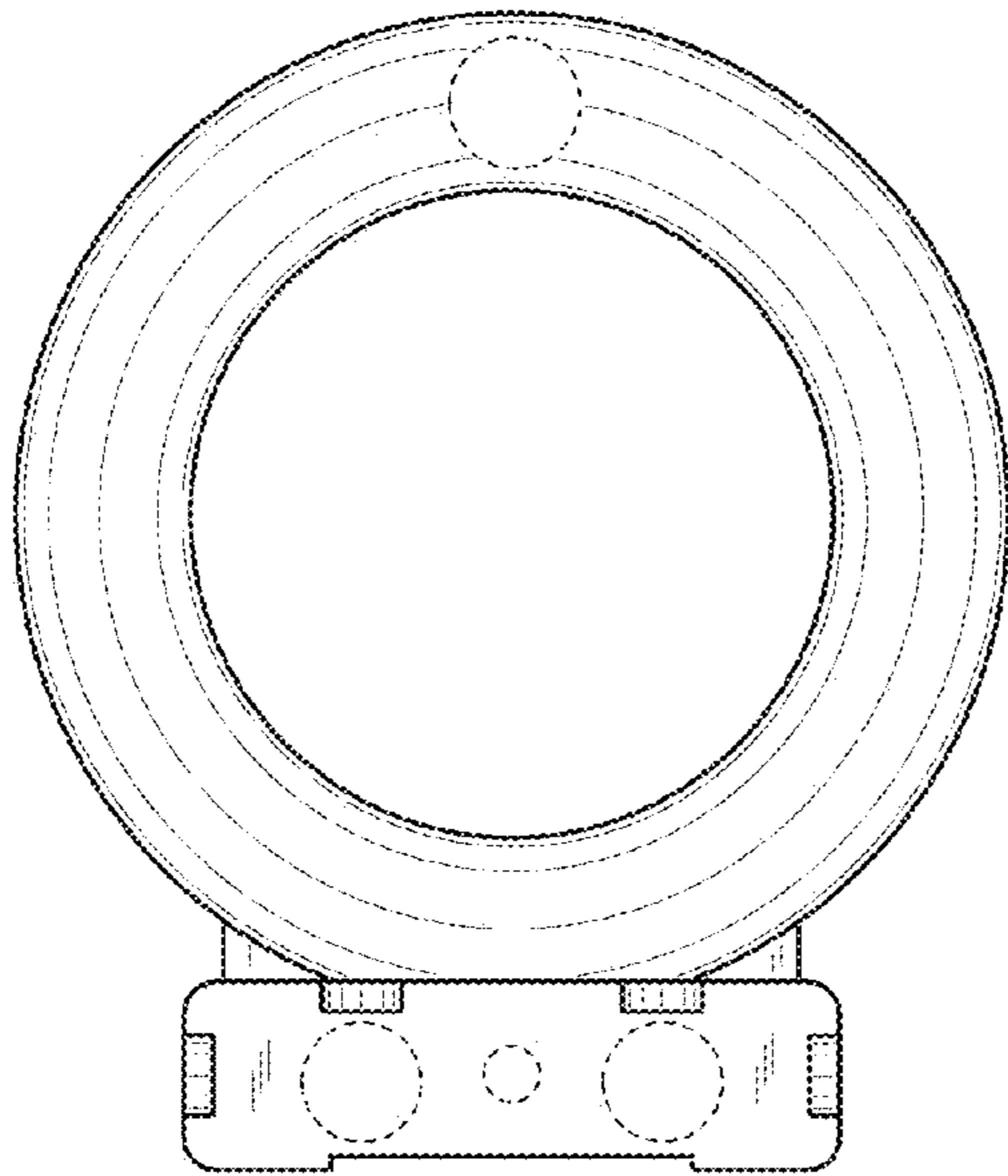


FIG. 3

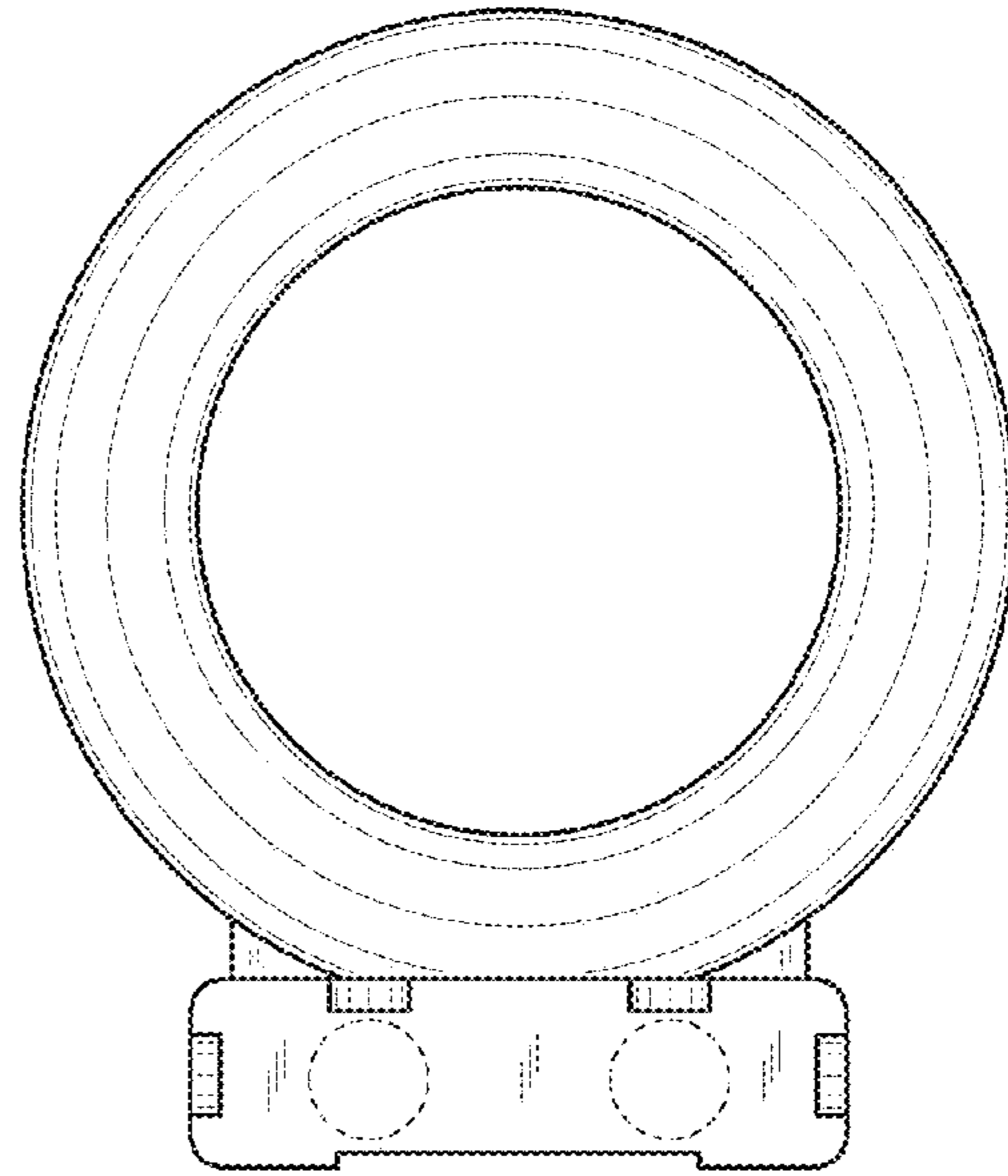


FIG. 4

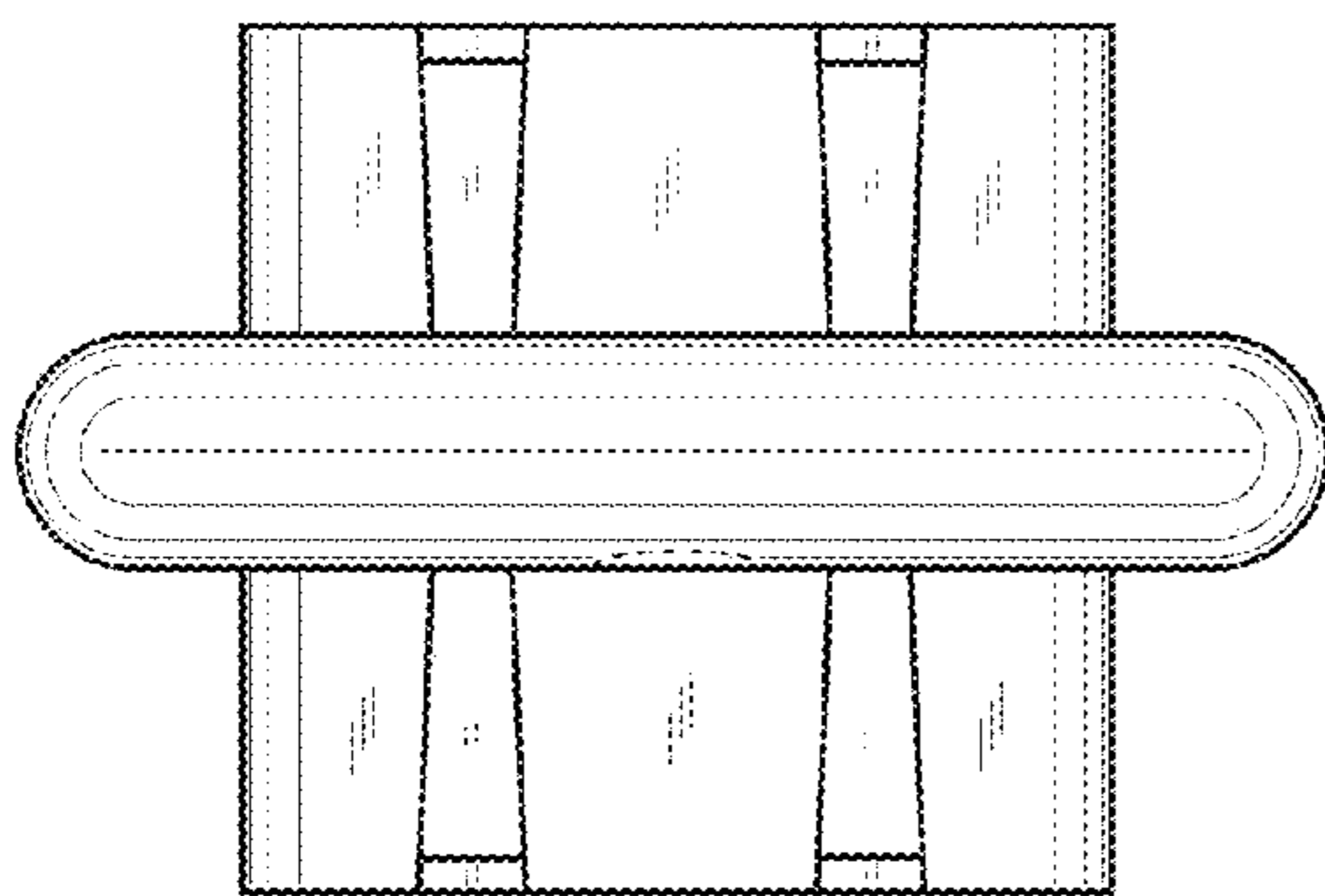


FIG. 5

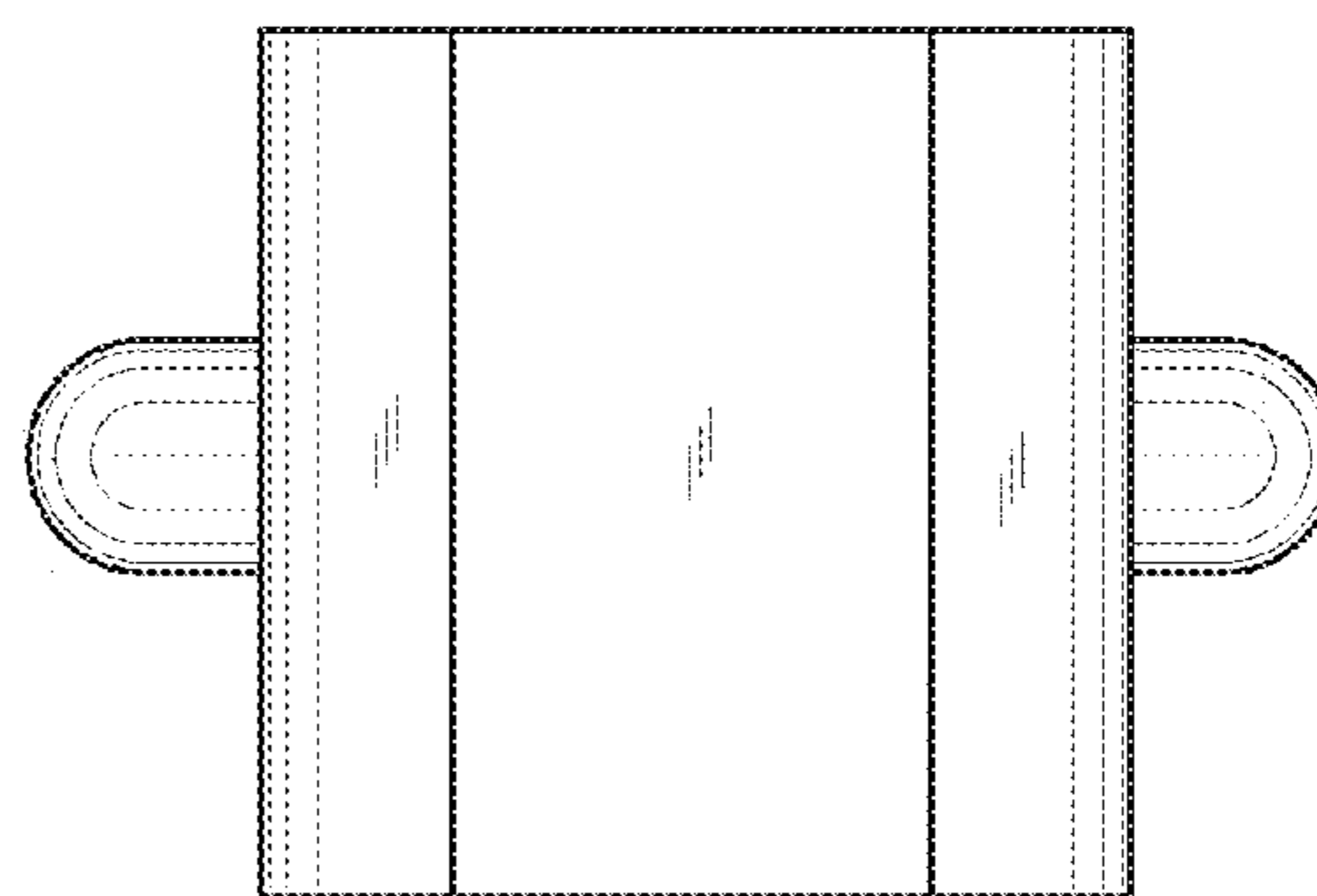


FIG. 6

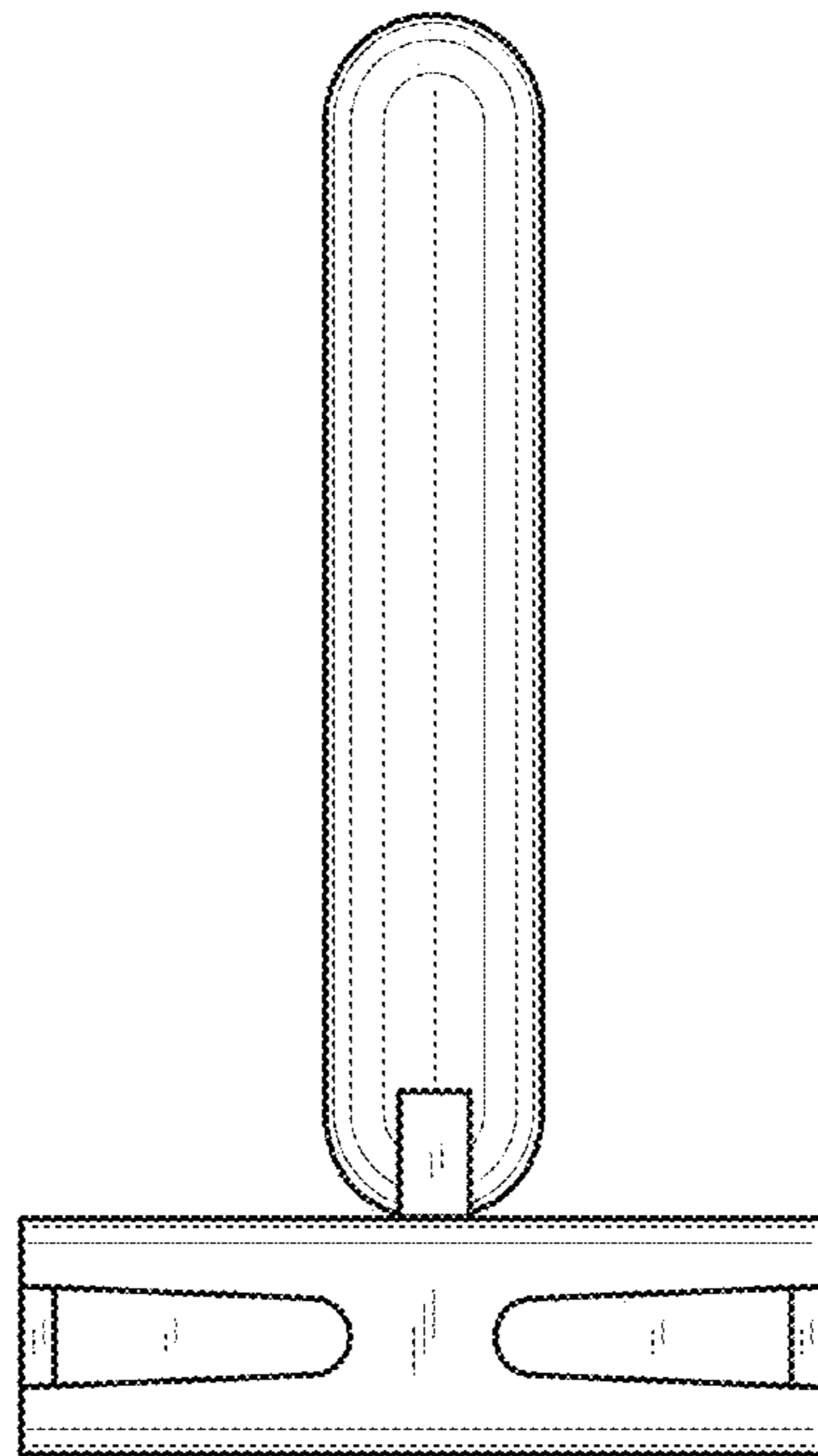


FIG. 7