



US00D752417S

(12) **United States Design Patent**
Witting et al.

(10) **Patent No.:** **US D752,417 S**
(45) **Date of Patent:** **** Mar. 29, 2016**

- (54) **BRACKET**
- (71) Applicant: **JMW**, Farmington, IA (US)
- (72) Inventors: **Craig Witting**, Keosauqua, IA (US);
James Jury, Farmington, IA (US); **Jerry McCarty**, Donnellson, IA (US)
- (73) Assignee: **JMW Enterprises, LLC**, Farmington, IA (US)
- (**) Term: **14 Years**
- (21) Appl. No.: **29/484,227**
- (22) Filed: **Mar. 7, 2014**
- (51) **LOC (10) Cl.** **08-05**
- (52) **U.S. Cl.**
USPC **D8/354**
- (58) **Field of Classification Search**
USPC D8/349, 354
CPC A47F 5/00; A47H 1/10; A47G 29/00;
A47G 29/08; A47B 97/00; A47B 47/00
See application file for complete search history.

- D601,878 S * 10/2009 Funk D8/349
- D611,801 S * 3/2010 Chustak D8/355
- D658,485 S * 5/2012 Wall D8/349
- D660,133 S * 5/2012 Yoder D8/354
- D665,656 S * 8/2012 Anzelmo D8/380

* cited by examiner

Primary Examiner — Holly Baynham
(74) *Attorney, Agent, or Firm* — Davis, Brown, Koehn, Shors & Roberts, P.C.; Kent A. Herink

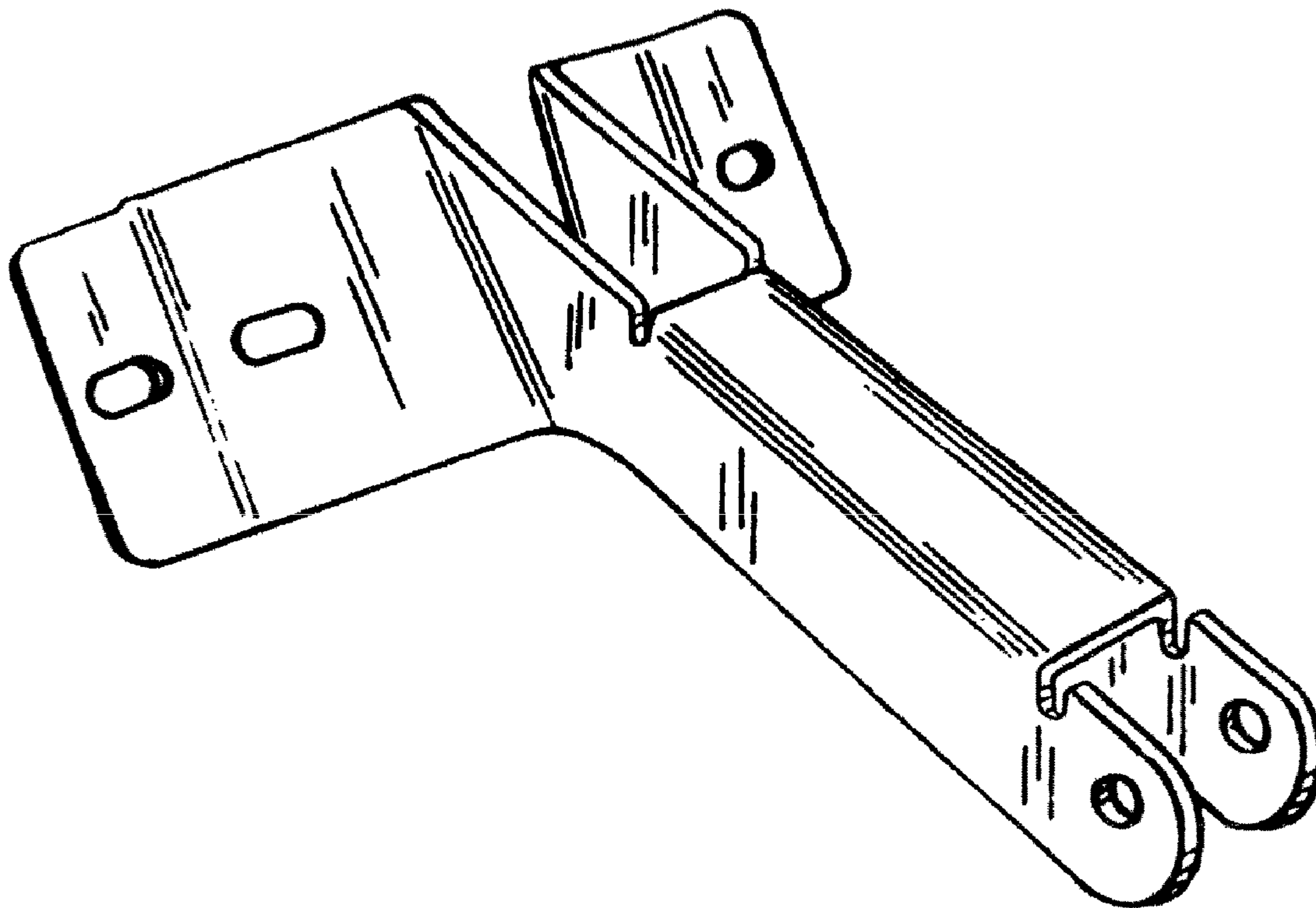
(57) **CLAIM**
The ornamental design for a bracket, as shown and described.

DESCRIPTION

FIG. 1 is a perspective view of the bracket.
FIG. 2 is a side view of the bracket.
FIG. 3 is a top view of the bracket.
FIG. 4 is a bottom view the bracket.
FIG. 5 is an end view of the bracket; and,
FIG. 6 is an end view of the bracket opposite from that of FIG. 5.

- (56) **References Cited**
U.S. PATENT DOCUMENTS
D204,692 S * 5/1966 Neill D8/355

1 Claim, 3 Drawing Sheets



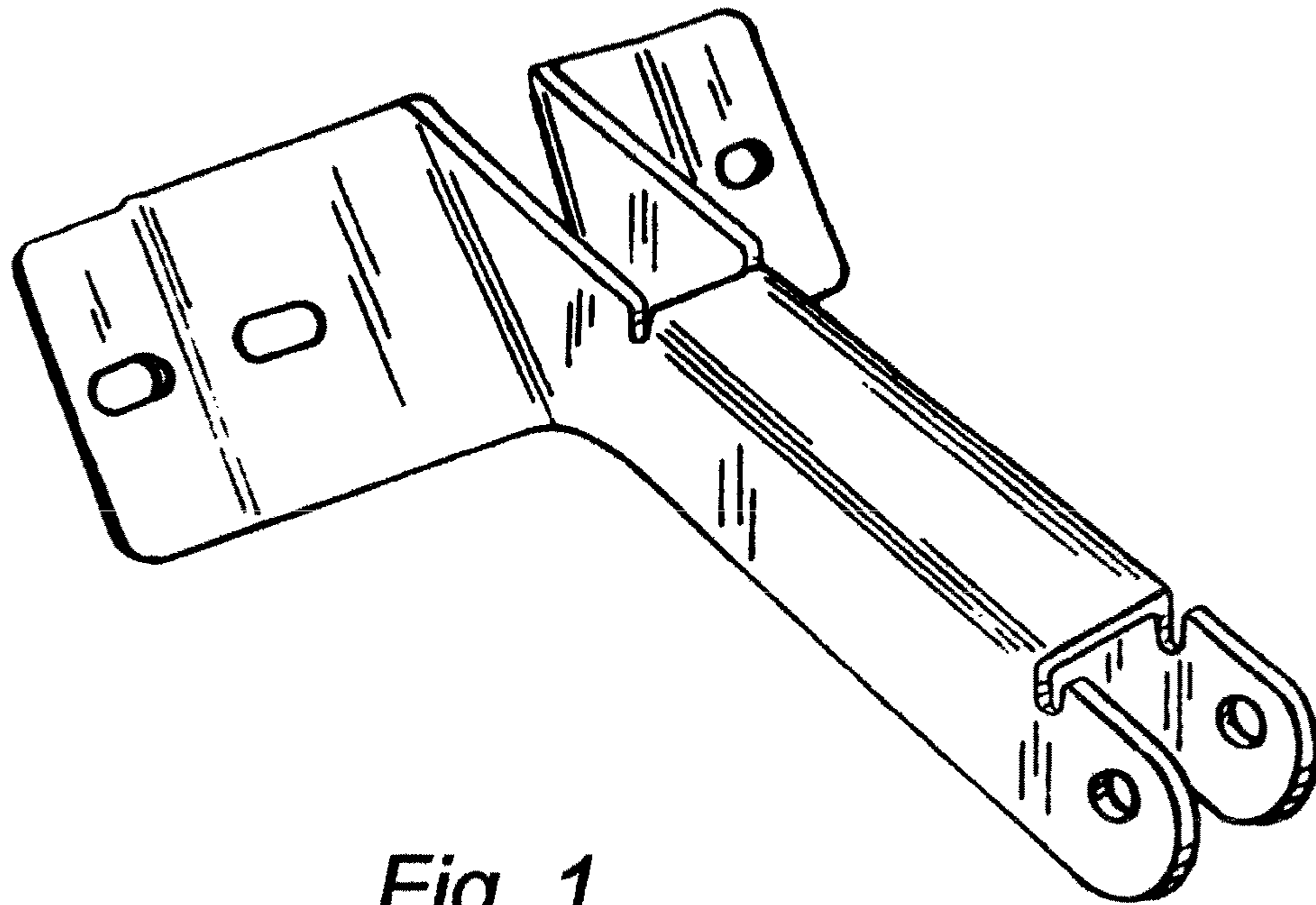


Fig. 1

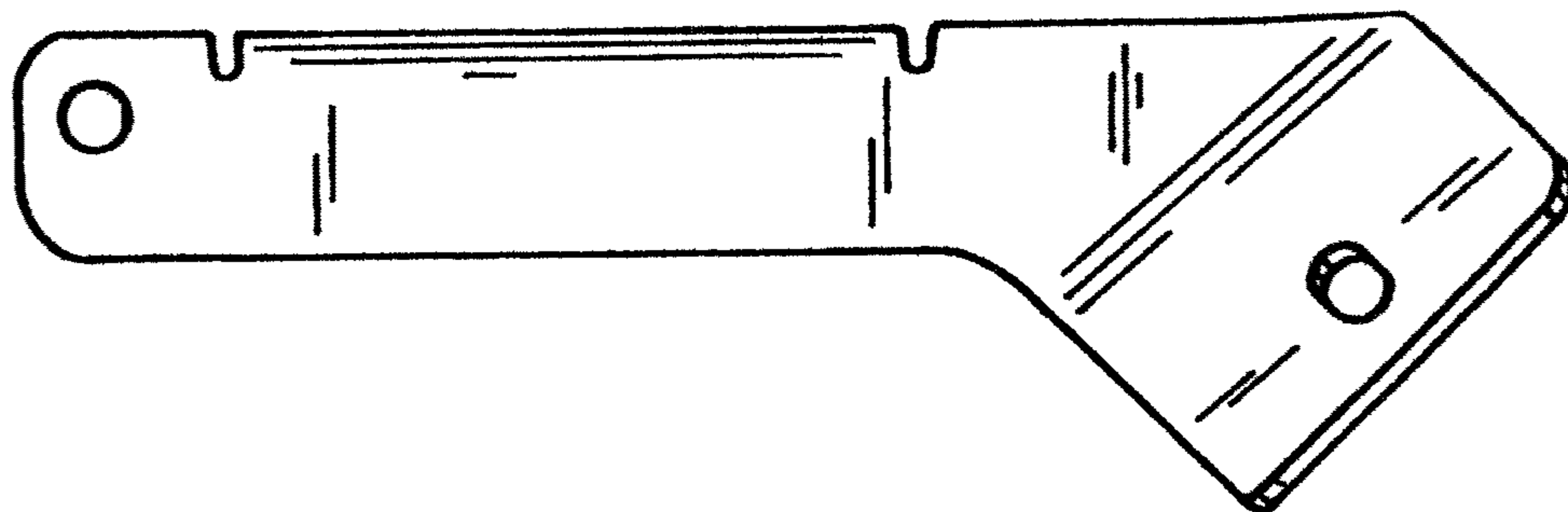
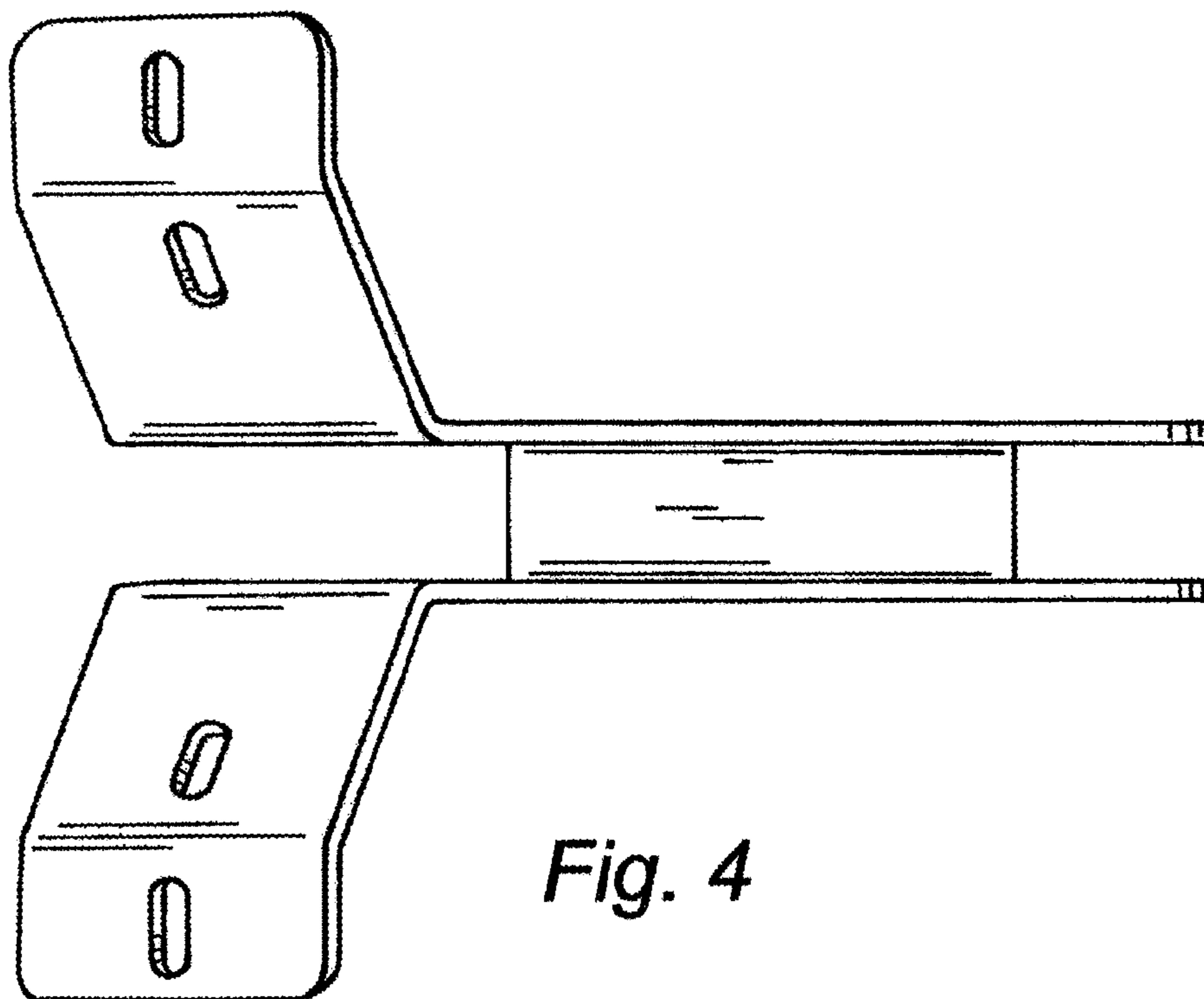
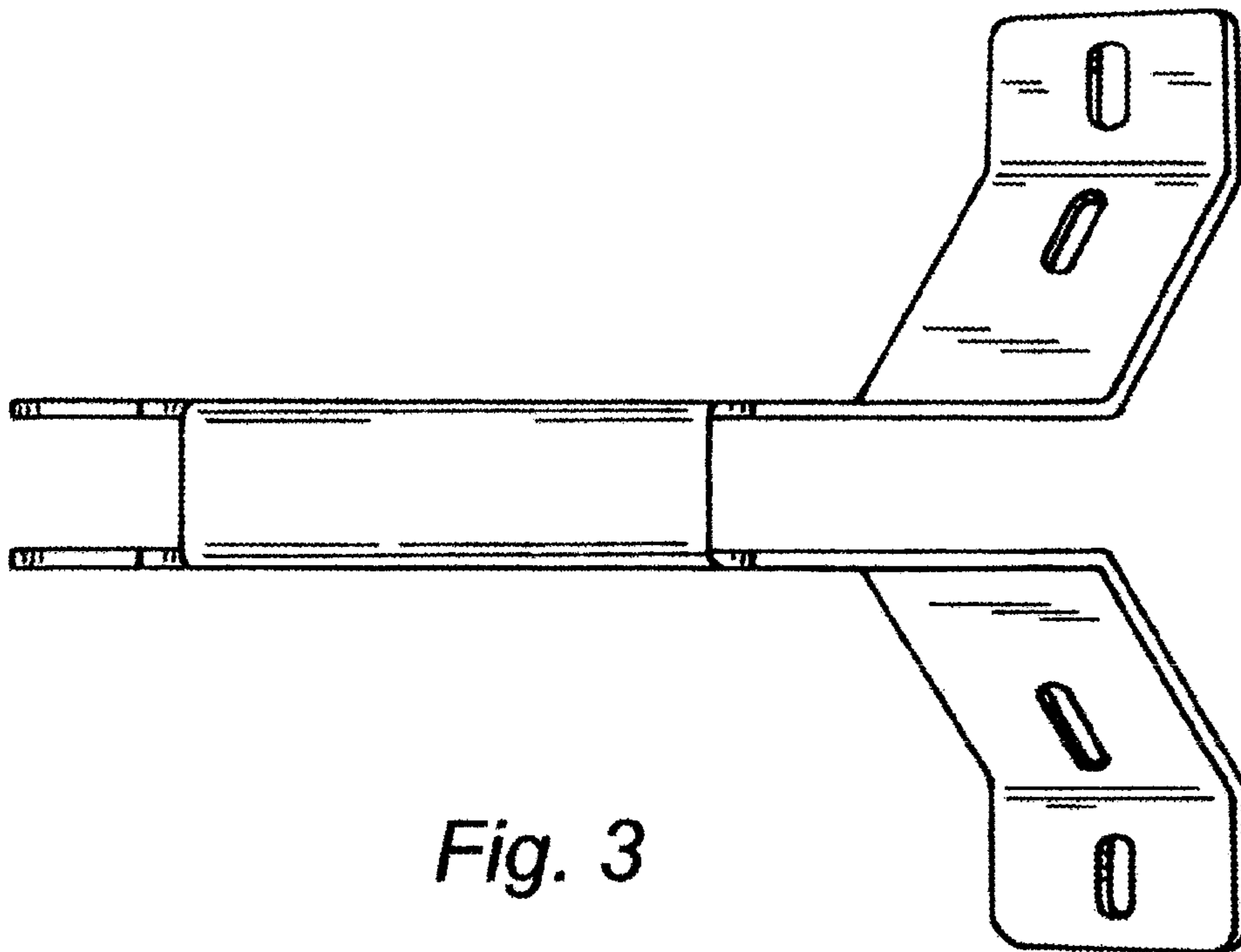


Fig. 2



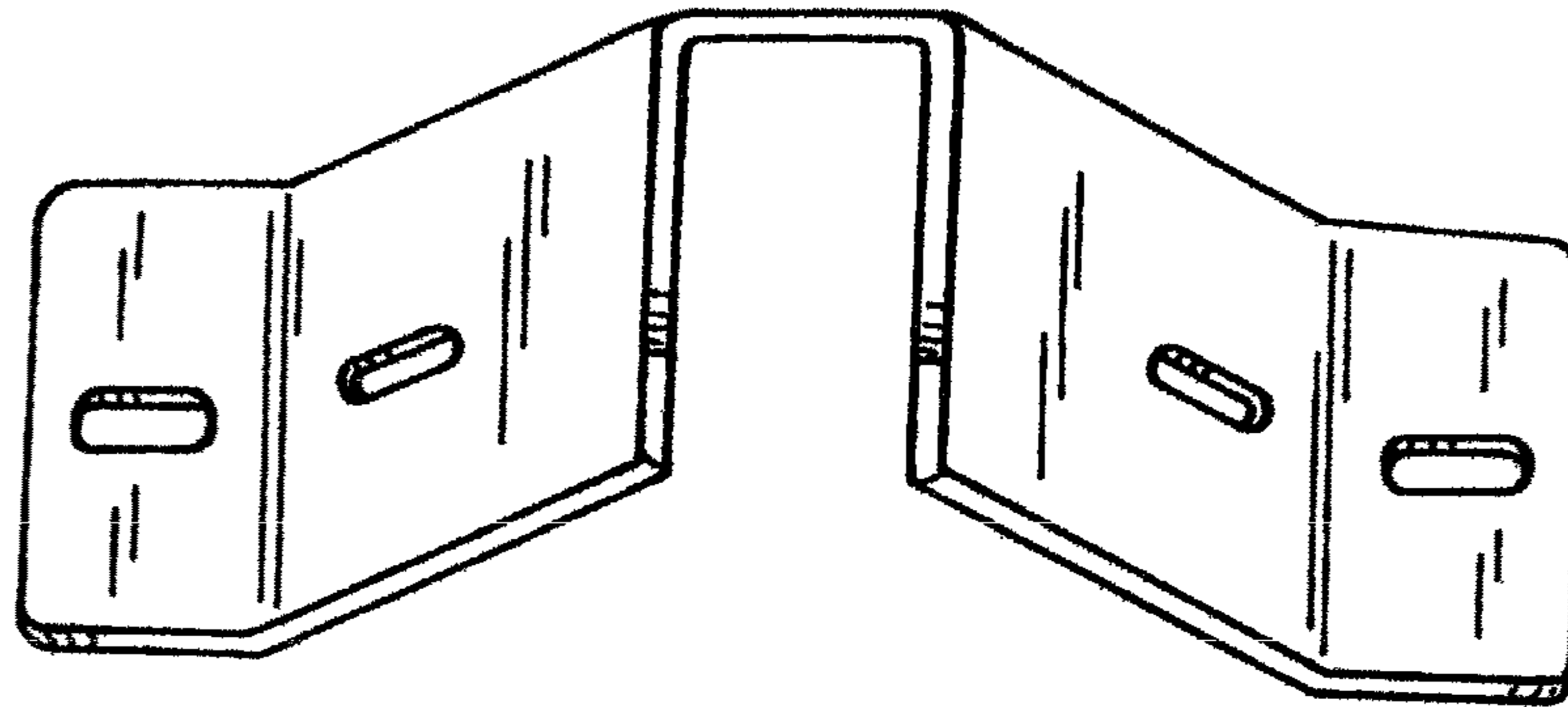


Fig. 5

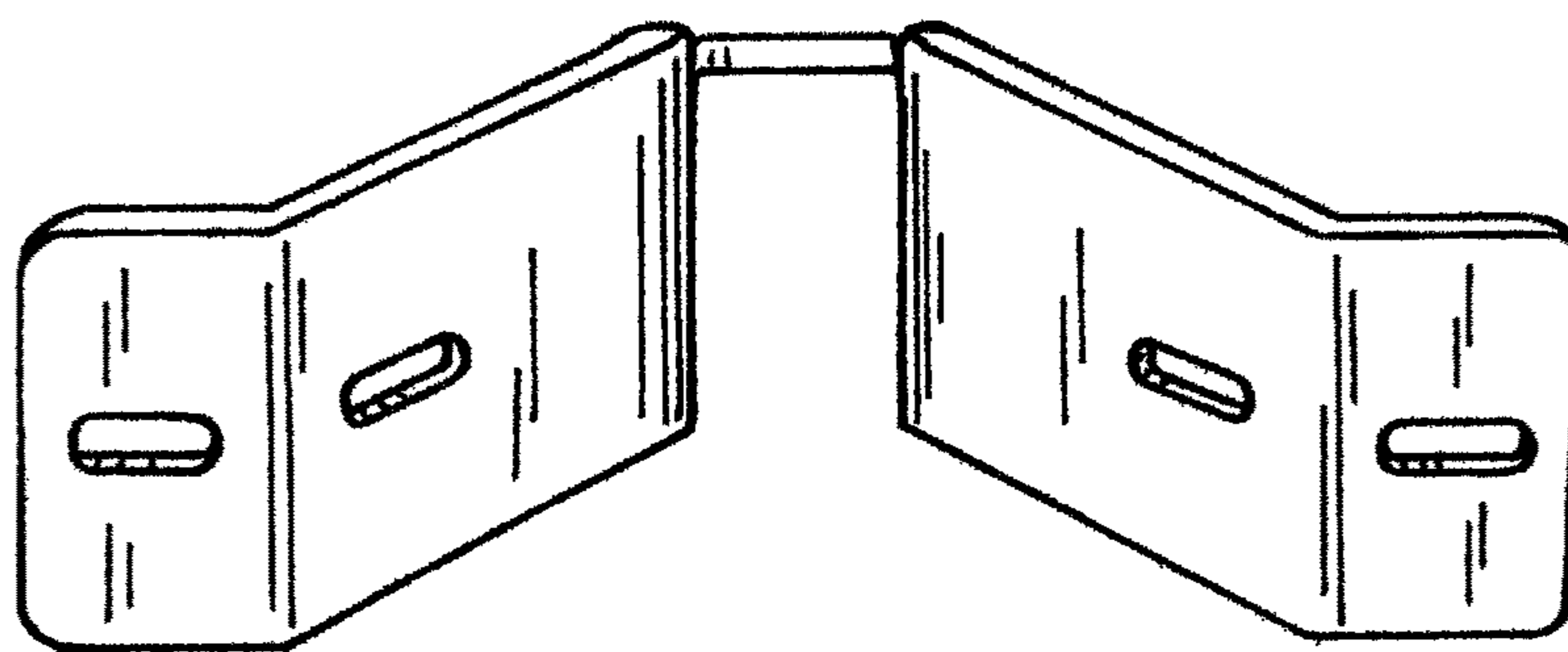


Fig. 6