

US00D752416S

(12) **United States Design Patent**
Holder

(10) **Patent No.:** **US D752,416 S**
(45) **Date of Patent:** **** Mar. 29, 2016**

(54) **DECORATIVE DOOR LATCH PLATE**

(71) Applicant: **Casey Holder**, Tavares, FL (US)

(72) Inventor: **Casey Holder**, Tavares, FL (US)

(**) Term: **14 Years**

(21) Appl. No.: **29/449,715**

(22) Filed: **Mar. 15, 2013**

(51) **LOC (10) Cl.** **08-05**

(52) **U.S. Cl.**
USPC **D8/350**

(58) **Field of Classification Search**
USPC D8/350, 352
CPC G07C 9/0069; E05B 47/0002
See application file for complete search history.

(56) **References Cited**

U.S. PATENT DOCUMENTS

- D553,953 S * 10/2007 Roberts et al. D8/350
- D588,439 S * 3/2009 Lin et al. D8/350
- D635,441 S * 4/2011 Roberts, III D8/350
- D637,064 S * 5/2011 Singtoroj D8/350
- D693,667 S * 11/2013 Mostert D8/350

D699,096 S * 2/2014 Chan et al. D8/350

* cited by examiner

Primary Examiner — Holly Baynham

(74) *Attorney, Agent, or Firm* — Stephen C. Thomas

(57) **CLAIM**

The ornamental design for a decorative door latch plate, as shown and described.

DESCRIPTION

FIG. 1 depicts a front view of the decorative door latch plate of the invention.

FIG. 2 is a cross-sectional view shown in line 2-2 of FIG. 1; FIG. 3 is a partial, enlarged sectional view of the area circled in the view of FIG. 2;

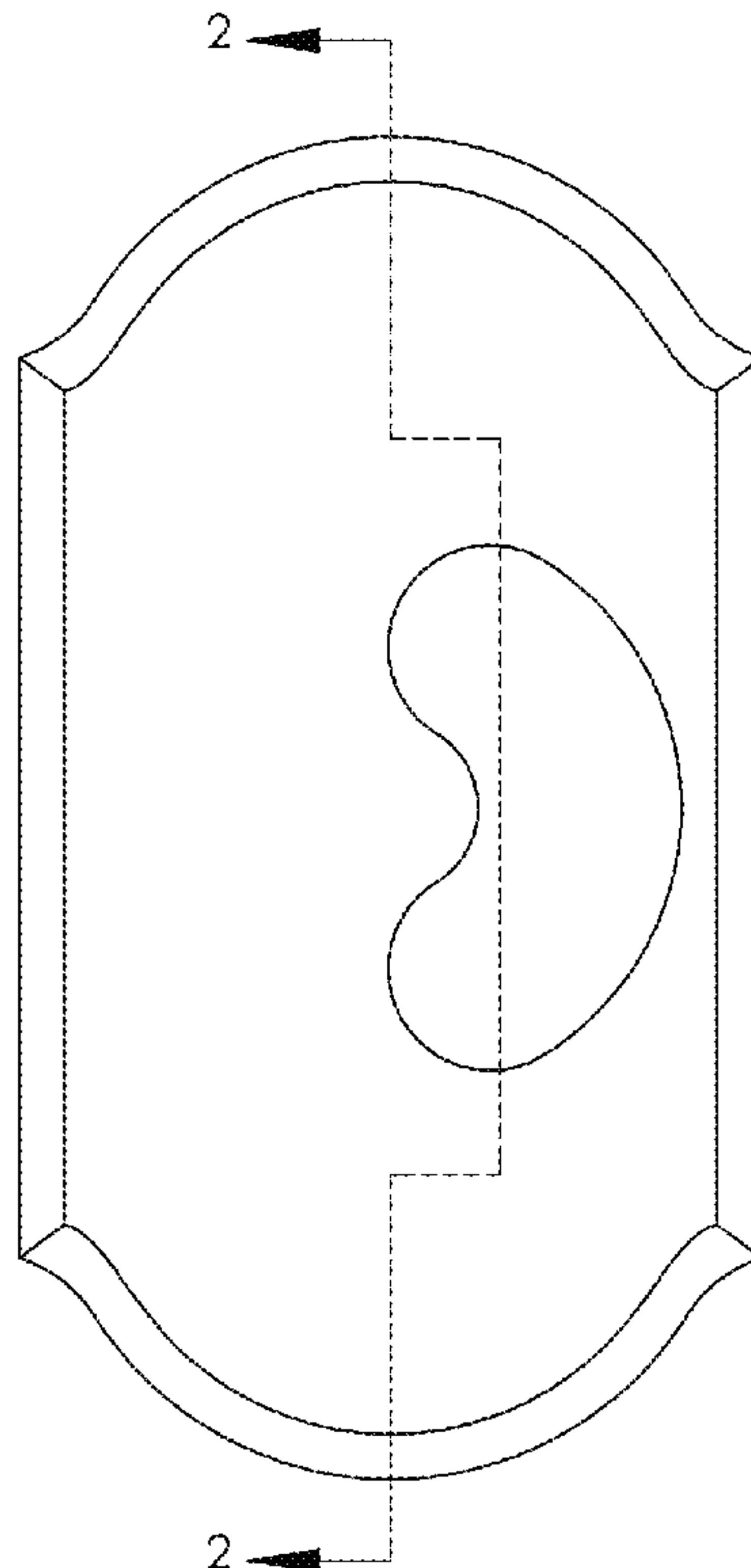
FIG. 4 depicts a perspective assembly view of the decorative door latch plate of the invention as installed on a door latch base plate.

FIG. 5 depicts a further front view of the decorative door latch plate of the invention; and,

FIG. 6 is a cross-sectional view shown in line 6-6 of FIG. 5.

The accompanying drawings, which are incorporated into and form a part of the specification, illustrate the present invention. The broken lines depicted in the drawings depict environmental features that form no part of the claimed design.

1 Claim, 2 Drawing Sheets



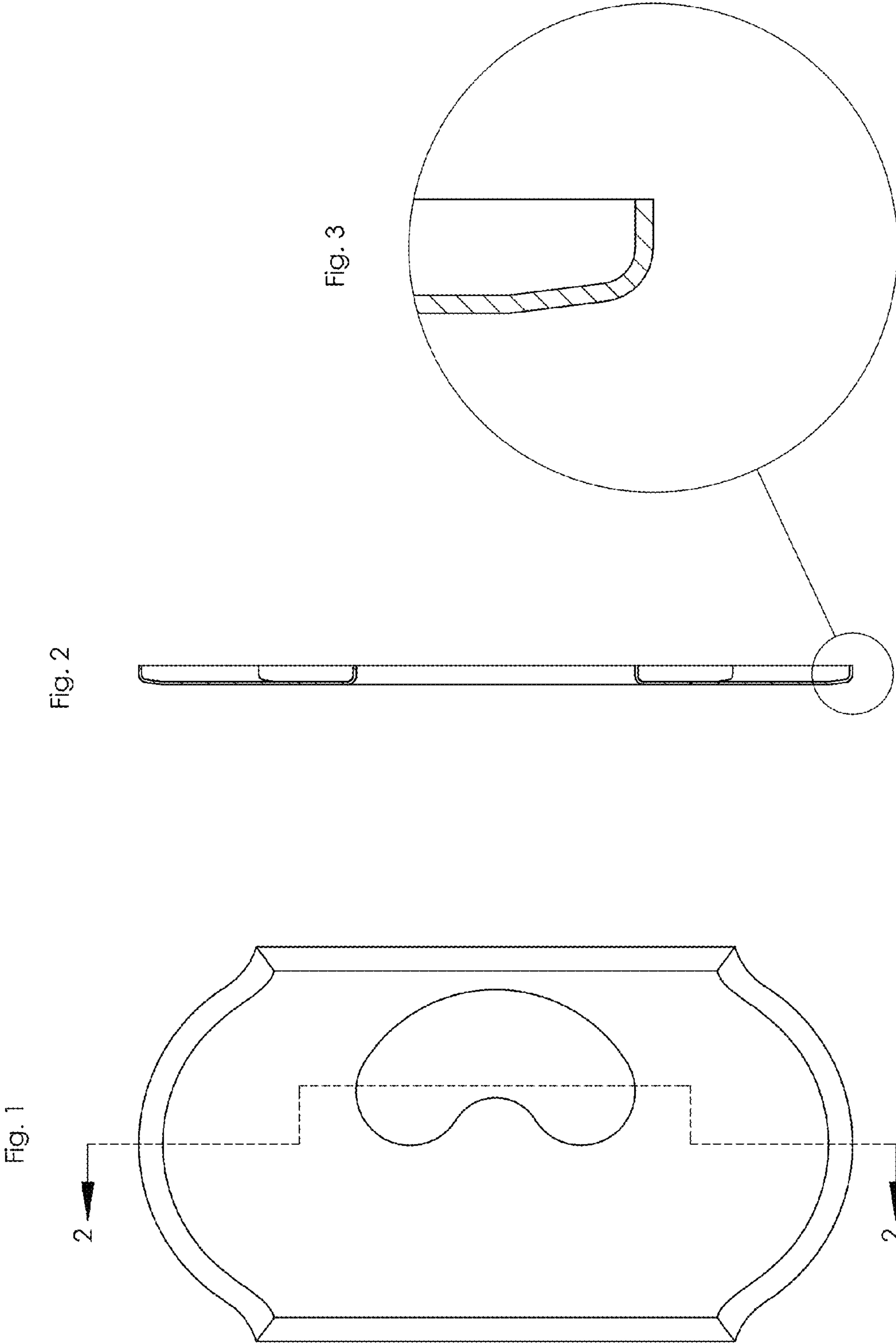


Fig. 6

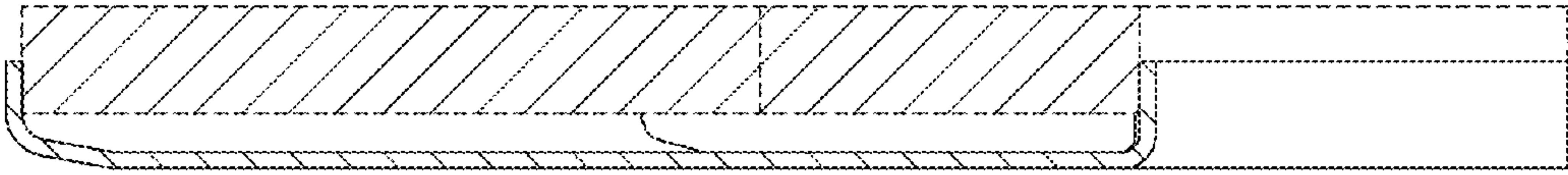


Fig. 5

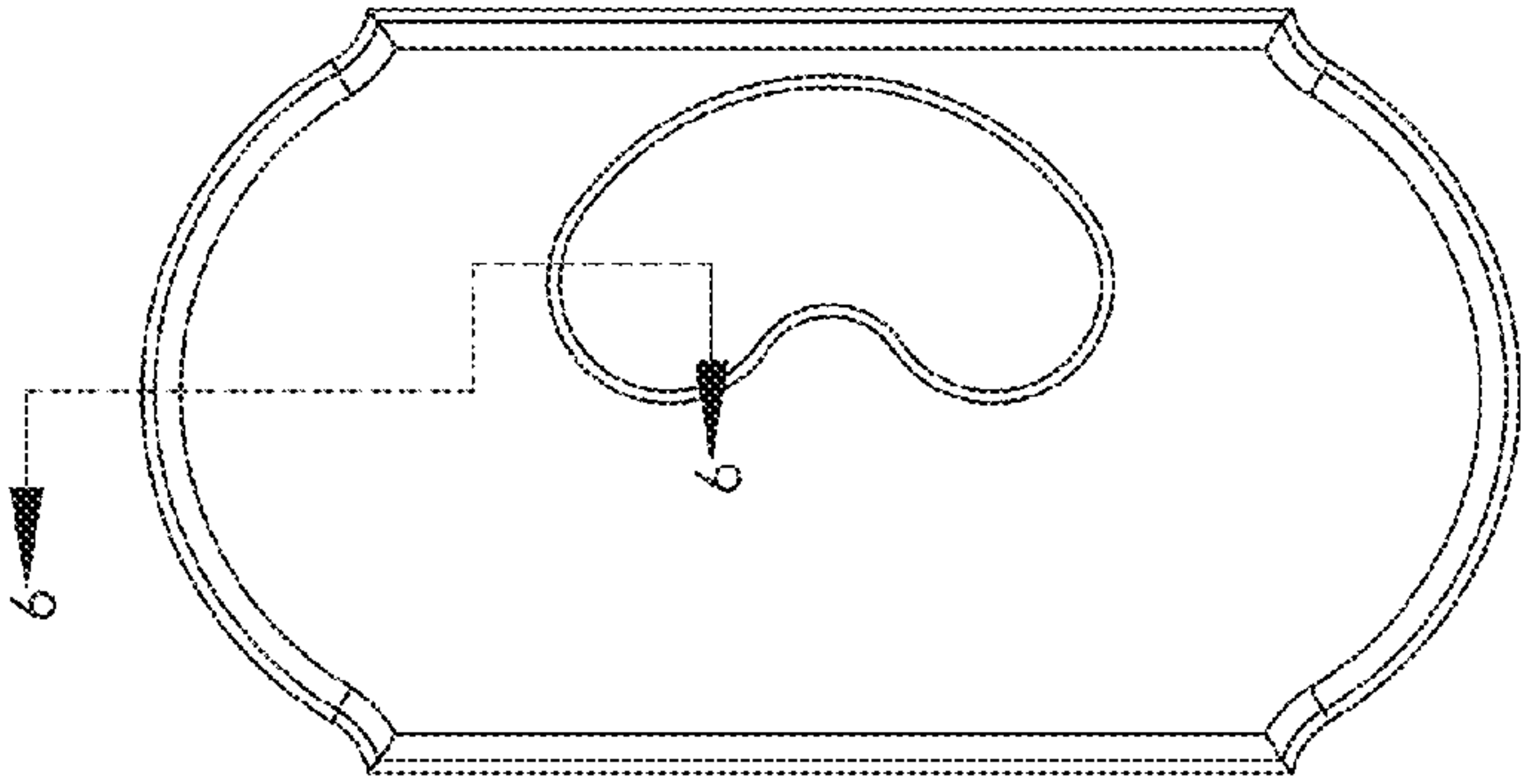


Fig. 4

