



US00D752415S

(12) **United States Design Patent**  
**Lu**

(10) **Patent No.:** **US D752,415 S**  
(45) **Date of Patent:** **\*\* Mar. 29, 2016**

(54) **MOUNTING BASE**

(71) Applicant: **Dongguan Weihong Hardware and Plastic Products Co., Ltd.**, Dongguan (CN)

(72) Inventor: **Wei Lu**, Dongguan (CN)

(73) Assignee: **DONGGUAN WEIHONG HARDWARE AND PLASTIC PRODUCTS CO., LTD.**, Dongguan (CN)

(\*\*) Term: **14 Years**

(21) Appl. No.: **29/513,628**

(22) Filed: **Jan. 2, 2015**

(30) **Foreign Application Priority Data**

Aug. 15, 2014 (CN) ..... 2014 3 0289899

(51) **LOC (10) Cl.** ..... **08-08**

(52) **U.S. Cl.**  
USPC ..... **D8/349**

(58) **Field of Classification Search**  
USPC ..... D8/300, 313, 314, 316, 321, 330, 341, D8/343, 349, 354, 367, 370, 380, 382-386, D8/388, 391, 393-400, 499  
CPC ..... A47C 1/026; A47C 17/86; A47B 88/04; A47B 96/06; B41F 27/04; H05K 7/20; H05K 7/14; H02G 3/12; H01Q 1/32; F16B 5/12; F16M 11/10

See application file for complete search history.

(56) **References Cited**

U.S. PATENT DOCUMENTS

D138,644 S *	8/1944	Cade .....	D8/349
2,455,075 A *	11/1948	Madigan .....	B41F 27/04 101/382.1
4,516,874 A *	5/1985	Yang .....	F16B 5/126 403/313
2007/0090250 A1 *	4/2007	O'Keene .....	F16M 11/10 248/299.1
2008/0217984 A1 *	9/2008	Lin .....	A47C 1/026 297/463.1

\* cited by examiner

*Primary Examiner* — Daniel Bui

*Assistant Examiner* — Shawn T Gingrich

(74) *Attorney, Agent, or Firm* — Shimokaji IP

(57) **CLAIM**

The ornamental design for a mounting base, as shown and described.

**DESCRIPTION**

FIG. 1 is a front elevational view of a mounting base showing my new design;

FIG. 2 is a rear elevational view thereof;

FIG. 3 is a left side elevational view thereof;

FIG. 4 is a right side elevational view thereof;

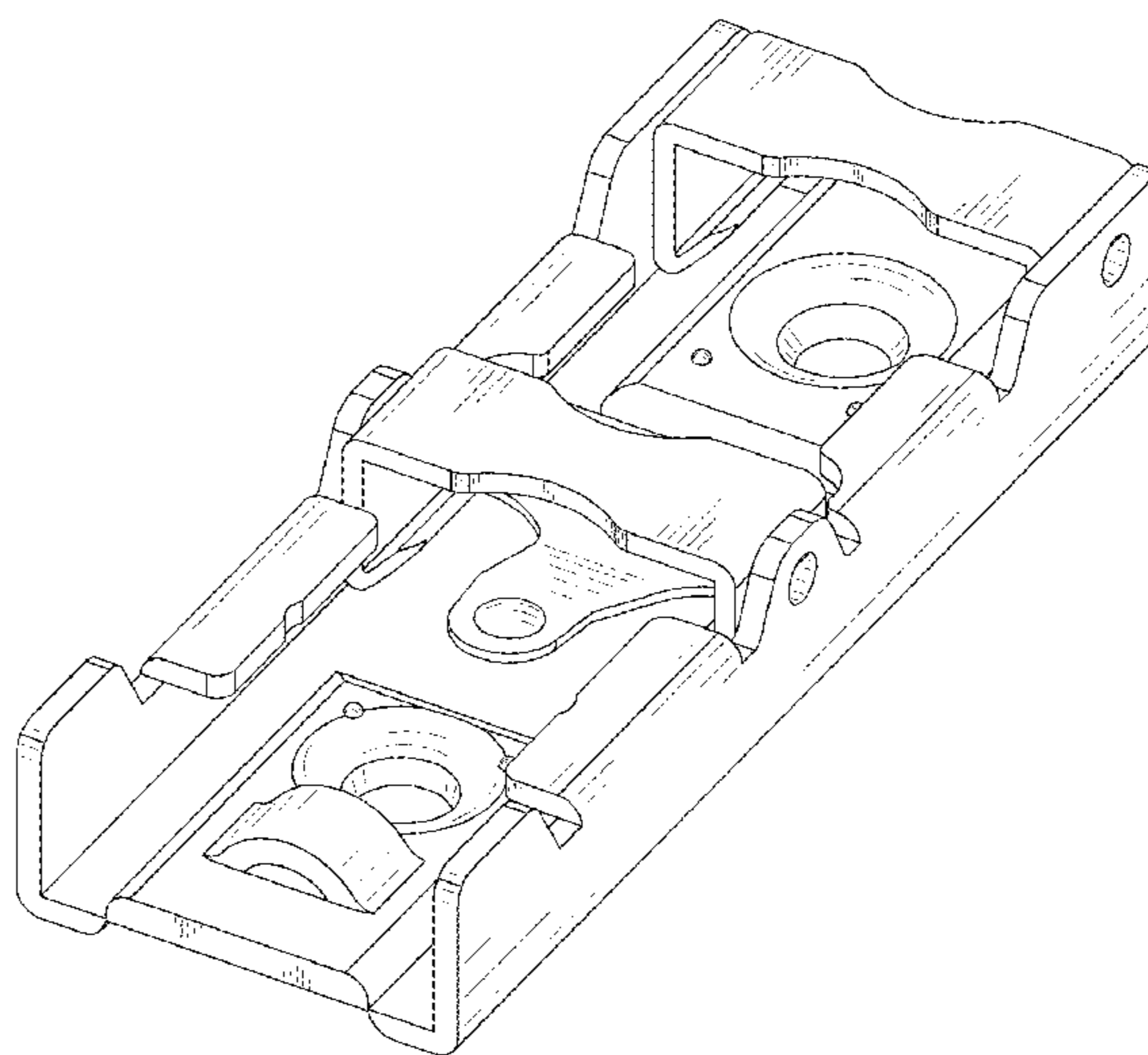
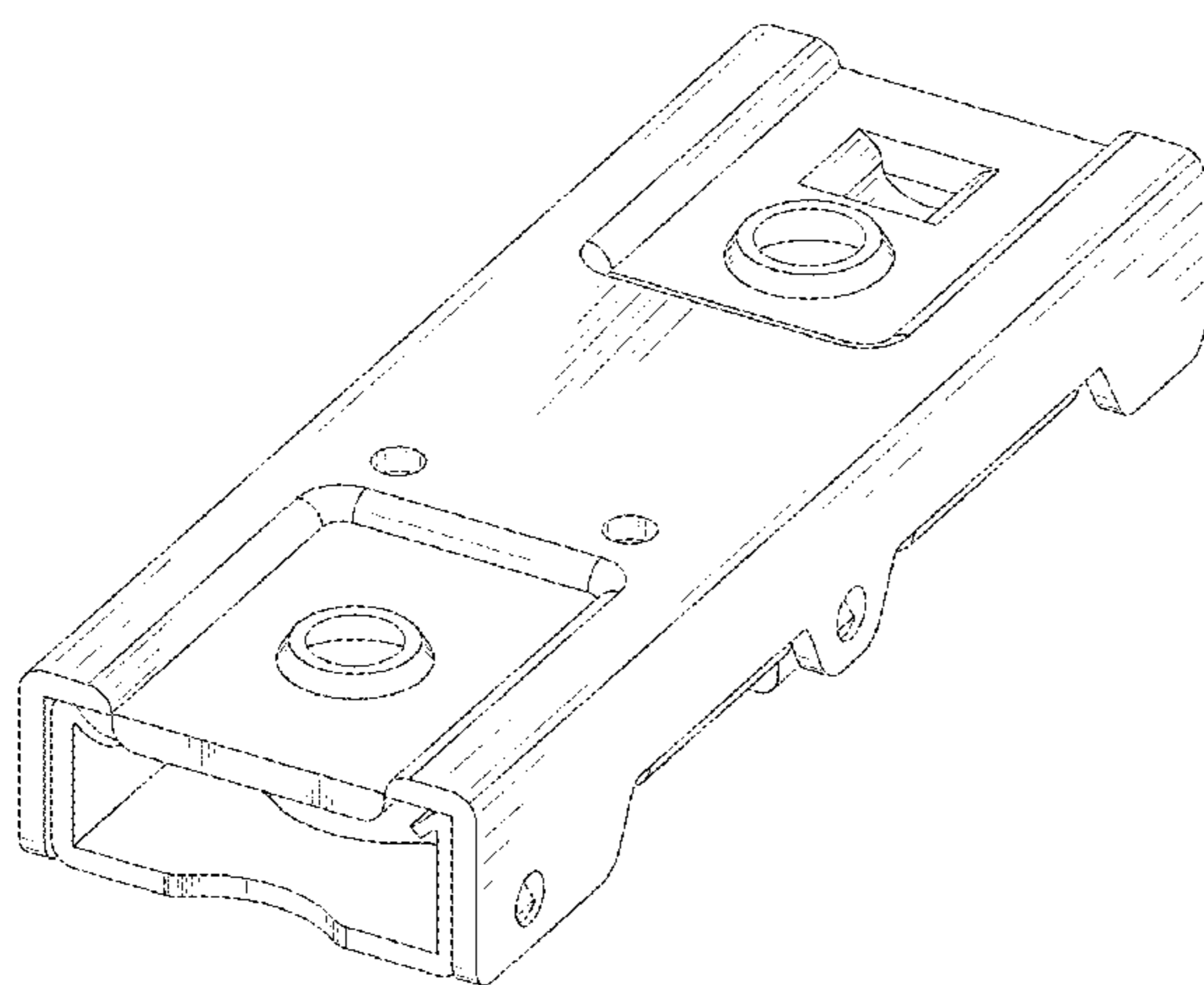
FIG. 5 is a top plan view thereof;

FIG. 6 is a bottom plan view thereof;

FIG. 7 is a perspective view thereof; and,

FIG. 8 is another perspective view thereof.

**1 Claim, 6 Drawing Sheets**



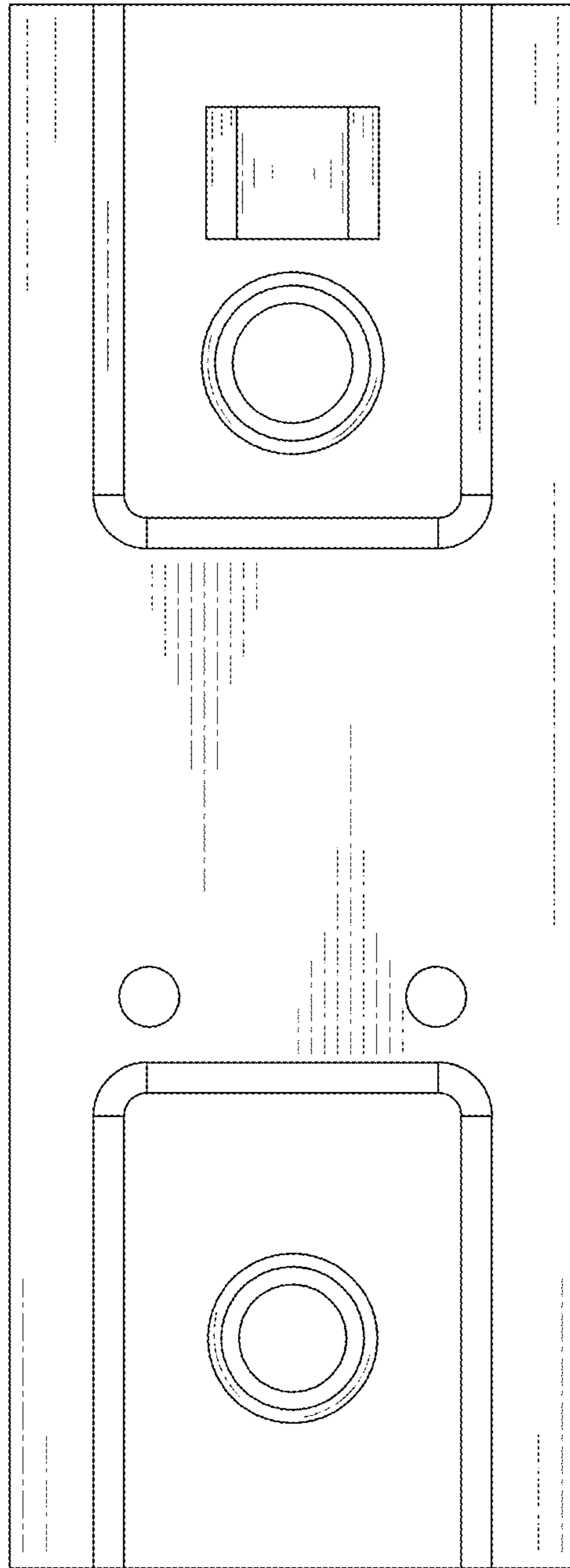


FIG.1

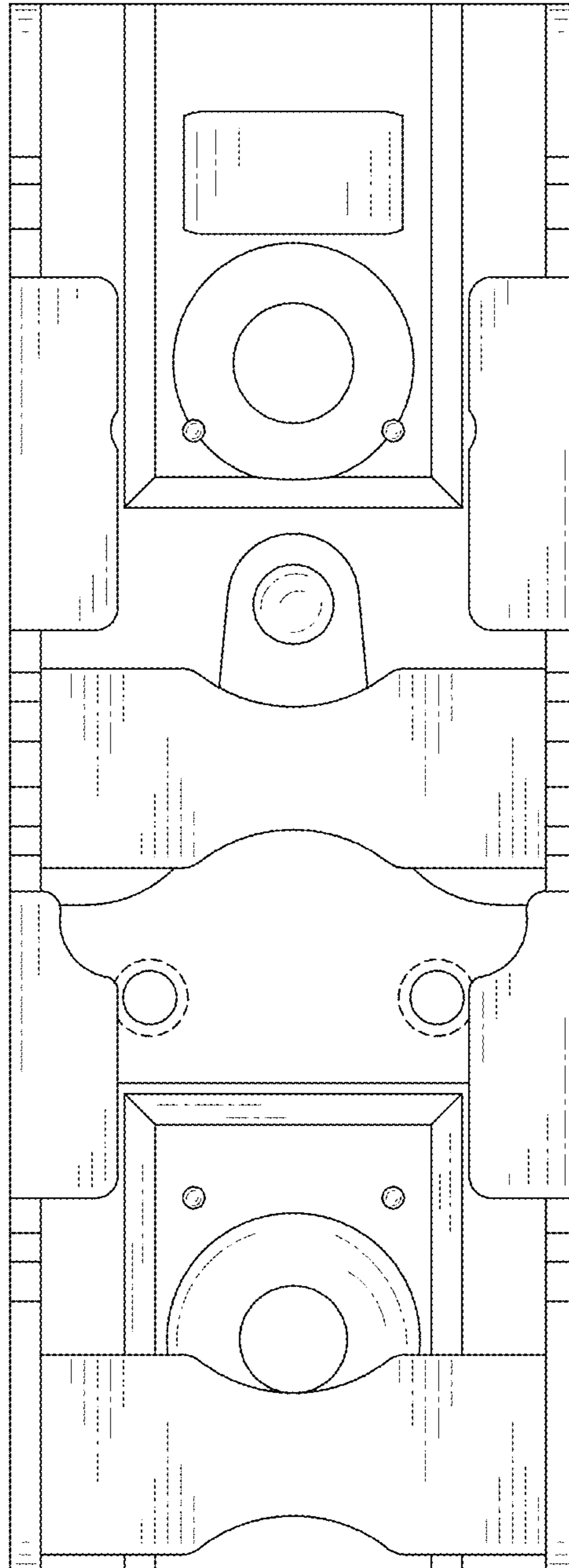


FIG.2

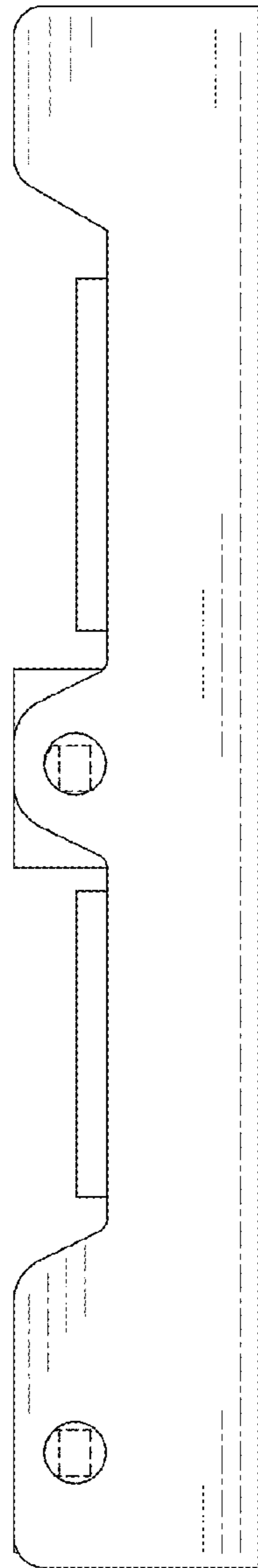


FIG.3

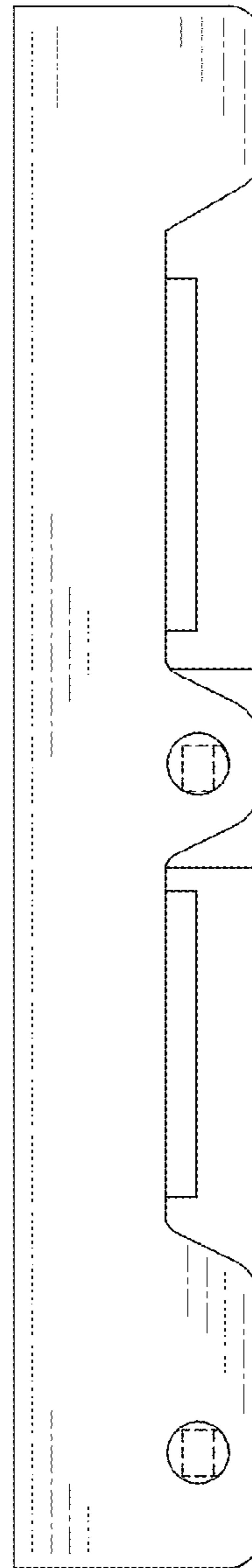


FIG.4

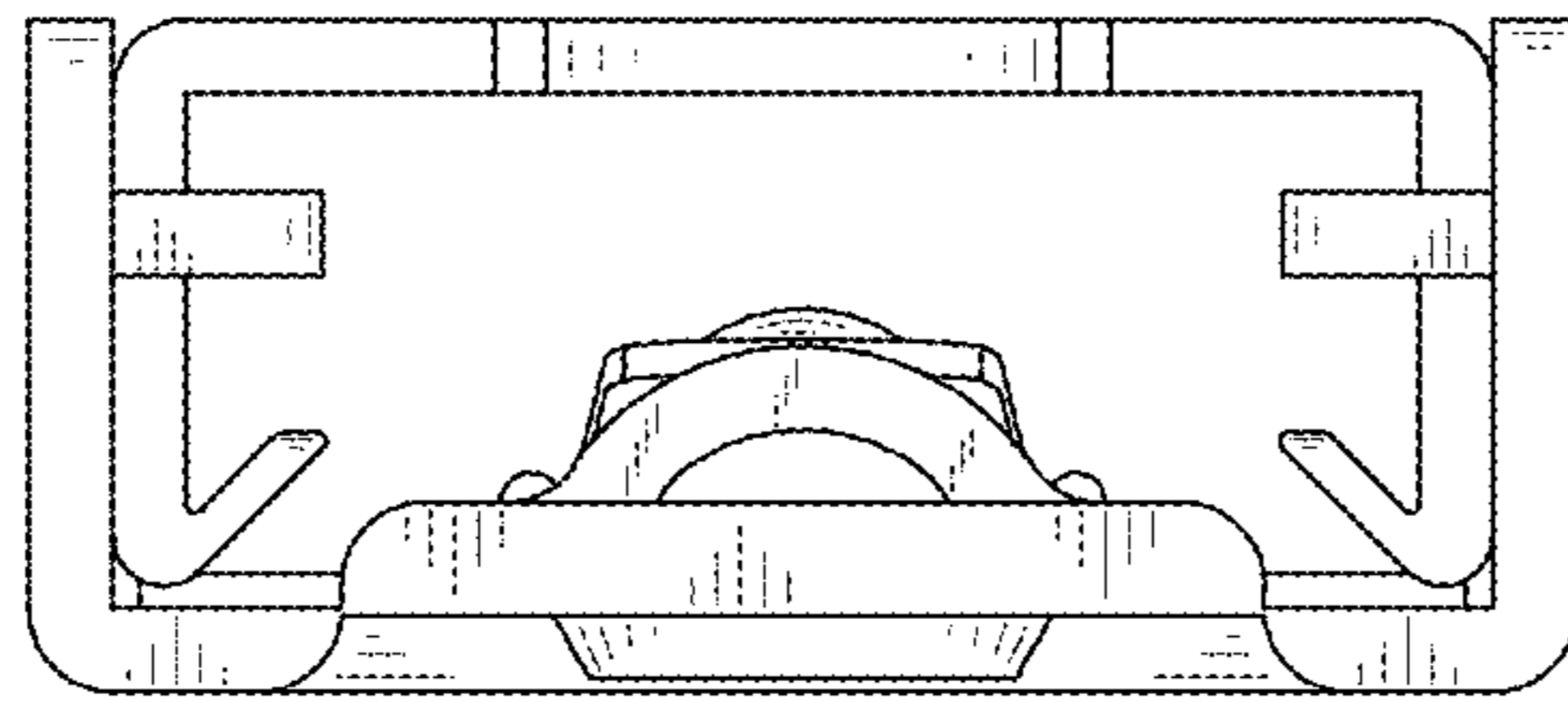


FIG.5

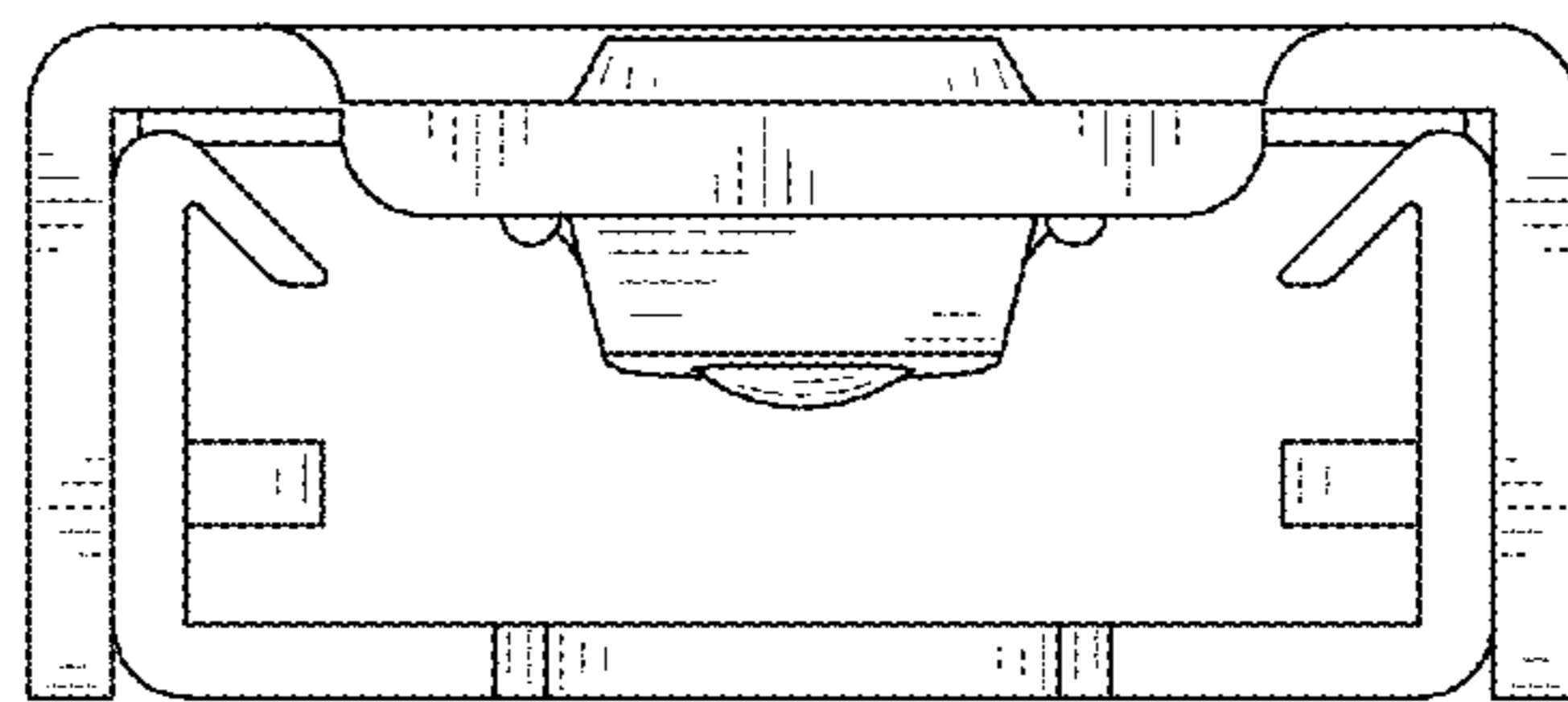


FIG.6

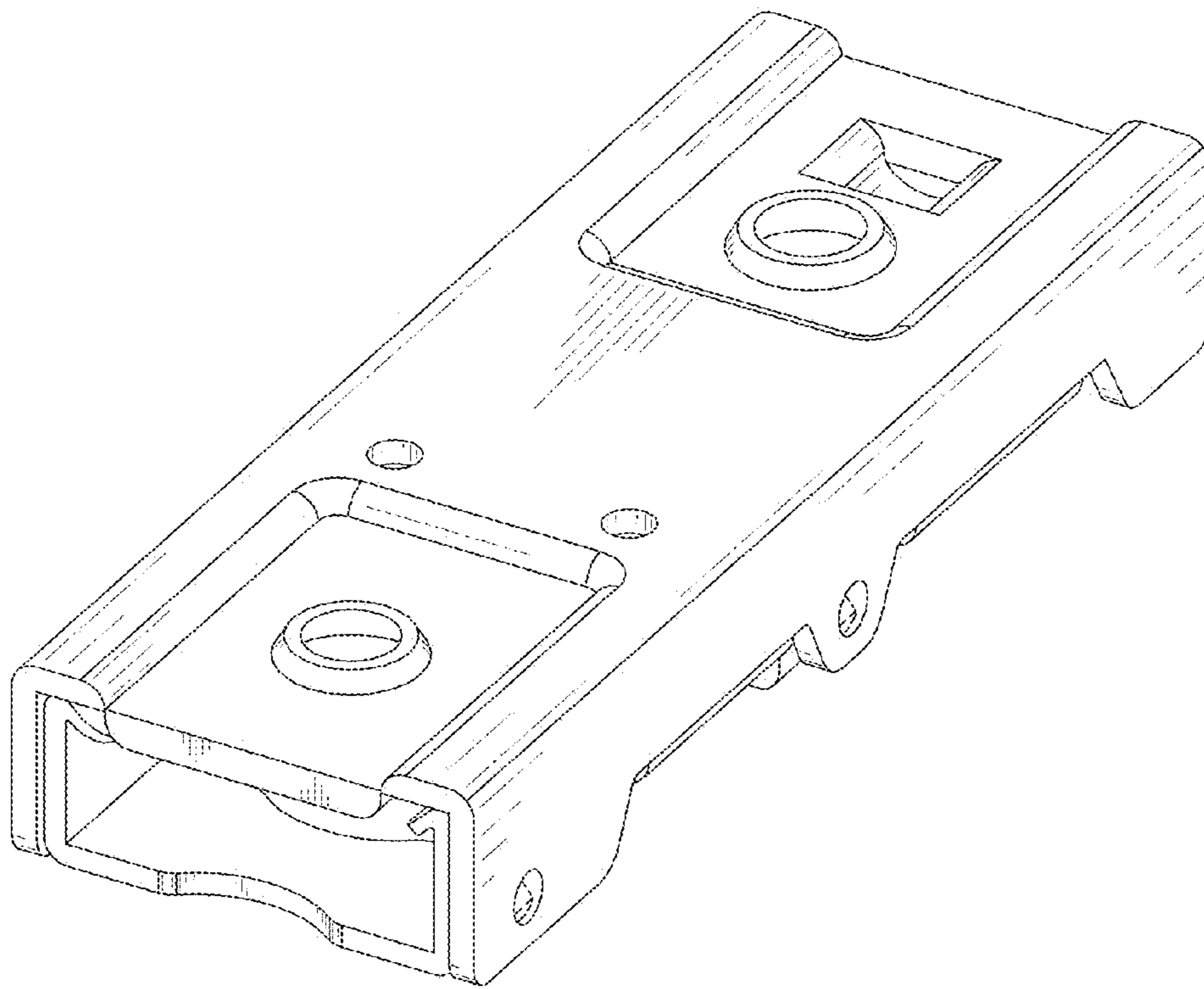


FIG. 7

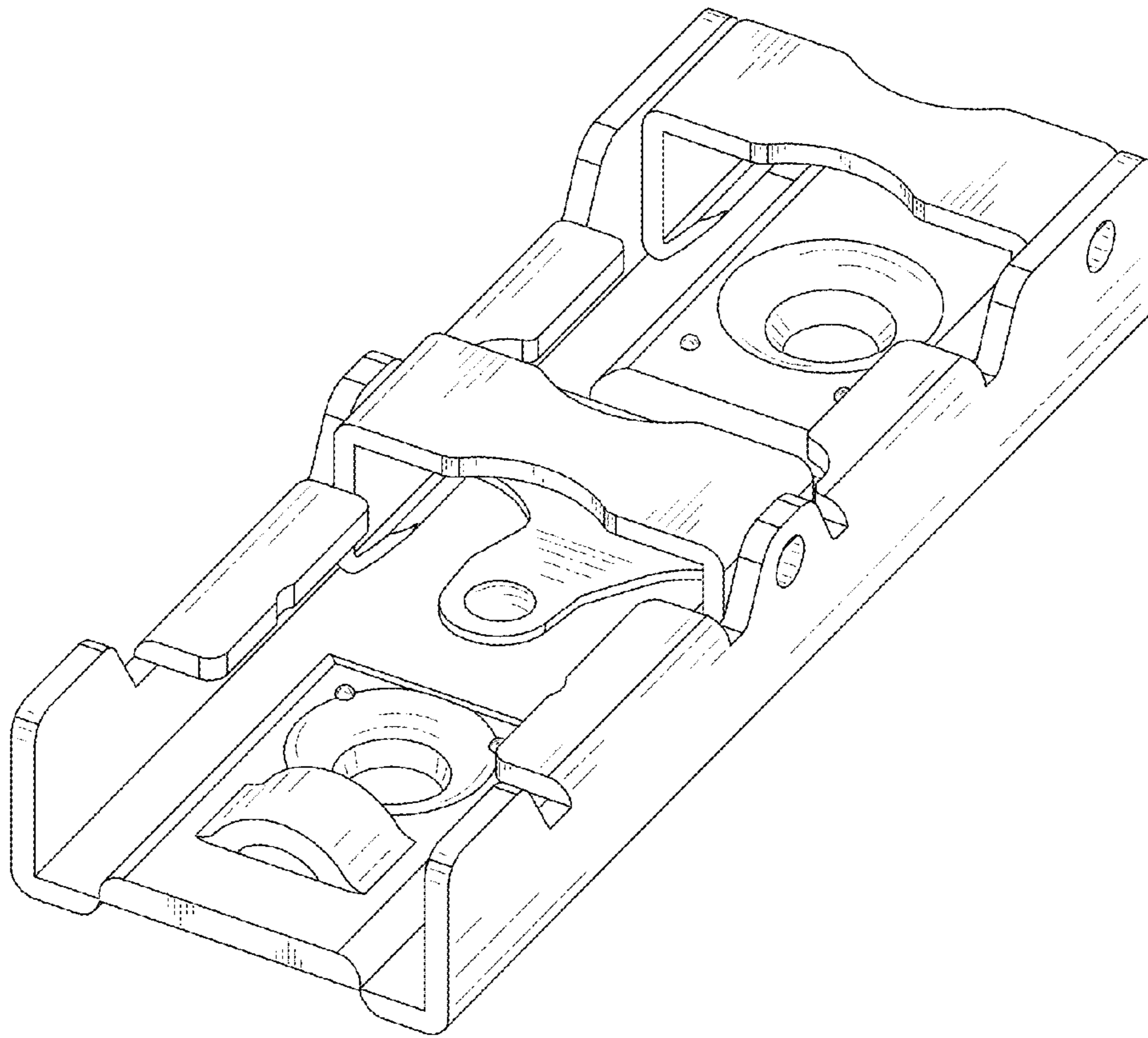


FIG.8