



US00D752413S

(12) **United States Design Patent**  
**Bransgrove**

(10) **Patent No.:** **US D752,413 S**  
(45) **Date of Patent:** **\*\* Mar. 29, 2016**

- (54) **LATCH KEY WITH CIRCULAR HEAD**
- (71) Applicant: **Christopher Bransgrove**, Hamilton (NZ)
- (72) Inventor: **Christopher Bransgrove**, Hamilton (NZ)
- (73) Assignee: **NU D LIMITED**, Auckland (NZ)
- (\*\*) Term: **14 Years**
- (21) Appl. No.: **29/512,107**
- (22) Filed: **Dec. 16, 2014**
- (51) **LOC (10) Cl.** ..... **08-07**
- (52) **U.S. Cl.**  
USPC ..... **D8/347**
- (58) **Field of Classification Search**  
USPC ..... D8/330, 331, 434, 347, 348.339, 344;  
70/12, 78-84, 141, 142, 429, 430, 431,  
70/466, 14, 20, 21, 22, 31, 51, 233, 45,  
70/DIG. 3, DIG. 29, DIG. 80; 403/24, 54,  
403/91, 92; 292/70, 246, 288  
CPC ..... E05B 65/41; E05B 65/46; E05B 73/00;  
E05C 19/00; E05C 19/02; E05C 3/06; E05C  
3/12; F16G 15/06; F16B 41/00; F16B 35/00  
See application file for complete search history.

- 5,332,251 A \* 7/1994 Farquhar ..... B60D 1/60  
280/507
- 5,433,547 A \* 7/1995 Hart ..... F16B 39/32  
403/154
- D440,142 S \* 4/2001 Mlinaric ..... D8/331
- 7,028,514 B2 \* 4/2006 Banks ..... E05B 13/108  
70/129
- D646,951 S \* 10/2011 Tsai ..... D8/330
- D708,042 S \* 7/2014 Moreau ..... D8/331
- D730,717 S \* 6/2015 Moreau ..... D8/331

\* cited by examiner

*Primary Examiner* — Prabhakar Deshmukh

(74) *Attorney, Agent, or Firm* — Mark A. Litman & Associates, P.A.

(57) **CLAIM**

The ornamental design for a latch key with circular head, as shown and described.

**DESCRIPTION**

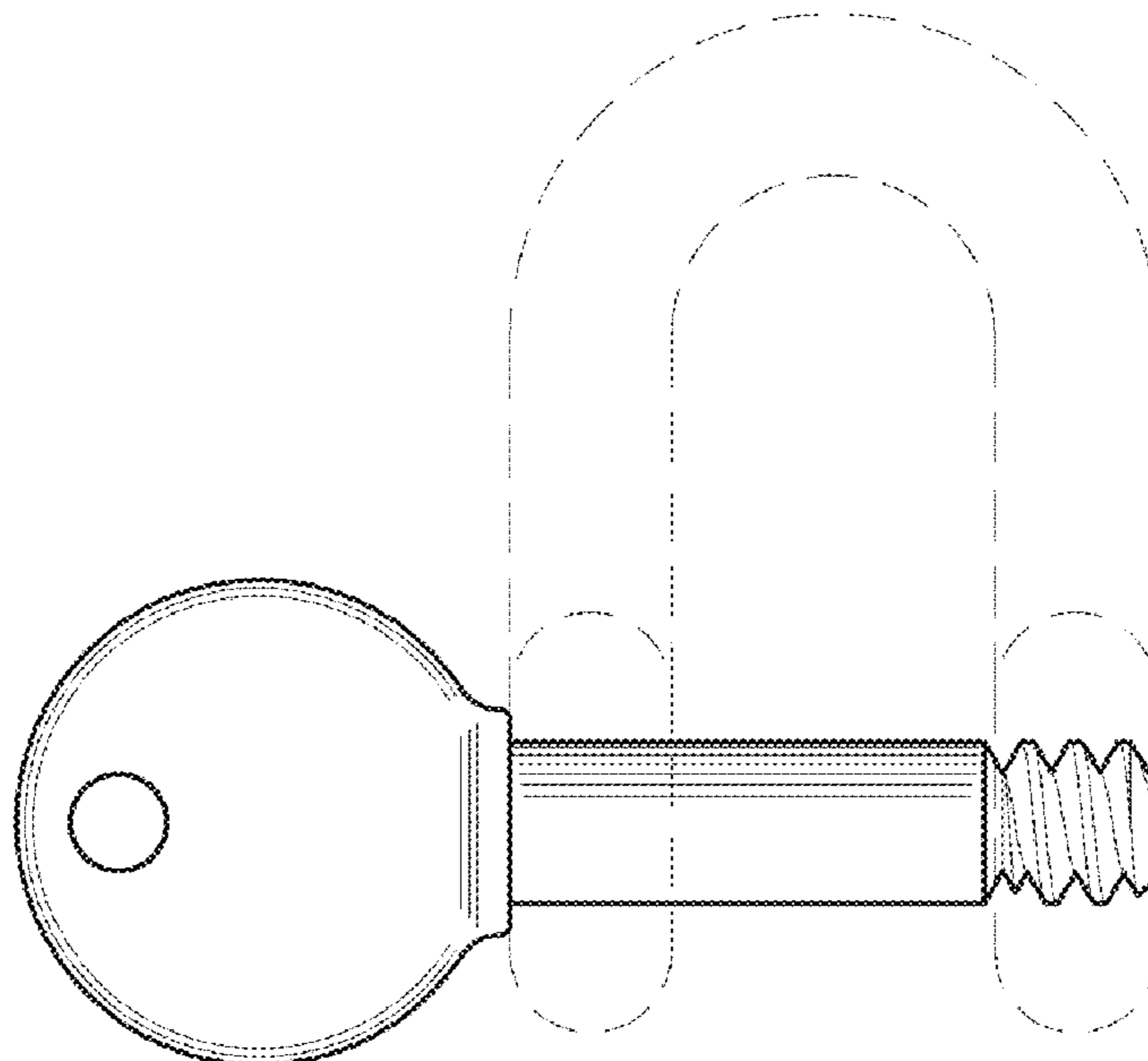
FIG. 1 is front elevational view of a latch key with circular head showing my new design, shown in environment use;  
 FIG. 2 is a left side elevational view thereof;  
 FIG. 3 is a right side elevational view thereof;  
 FIG. 4 is a top plan view thereof;  
 FIG. 5 is a perspective view thereof;  
 FIG. 6 is front elevational view thereof, shown without environment;  
 FIG. 7 is a left side elevational view of FIG. 6;  
 FIG. 8 is a right side elevational view of FIG. 6;  
 FIG. 9 is a top plan view of FIG. 6; and,  
 FIG. 10 is a perspective view thereof.  
 The broken lines indicate environment and forms no part of the claimed design.  
 FIGS. 1-5 show the design its environmental use while FIGS. 6-10 show without environment.

(56) **References Cited**

U.S. PATENT DOCUMENTS

- 2,097,465 A \* 11/1937 Morrison ..... F16G 15/06  
278/96
- 2,209,007 A \* 7/1940 Stevenson ..... F16G 15/06  
411/946
- 4,423,610 A \* 1/1984 Hart ..... F16B 41/00  
70/14
- D290,581 S \* 6/1987 Hughes ..... D8/107
- D317,249 S \* 6/1991 Gitlin ..... D8/347
- 5,046,881 A \* 9/1991 Swager ..... F16D 25/082  
403/154

**1 Claim, 2 Drawing Sheets**



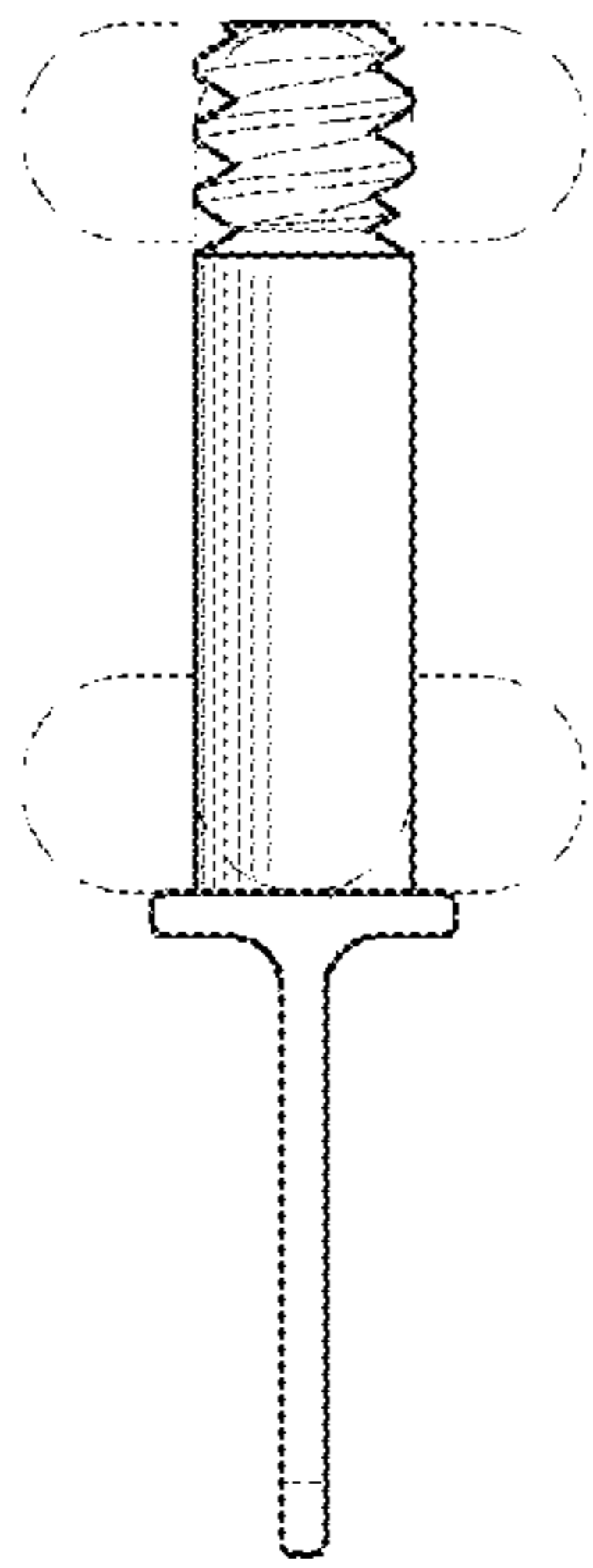


FIG. 2

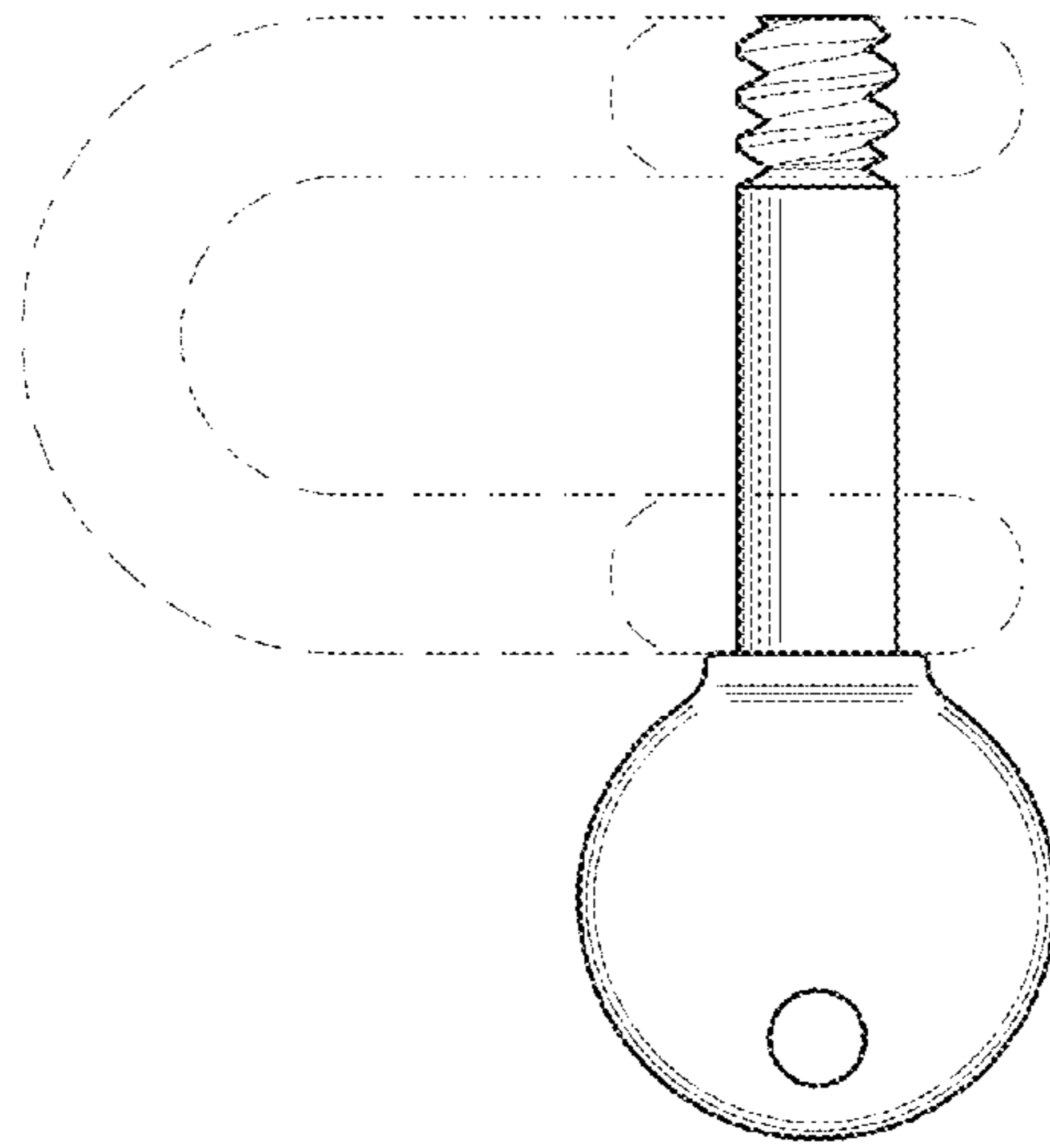


FIG. 4

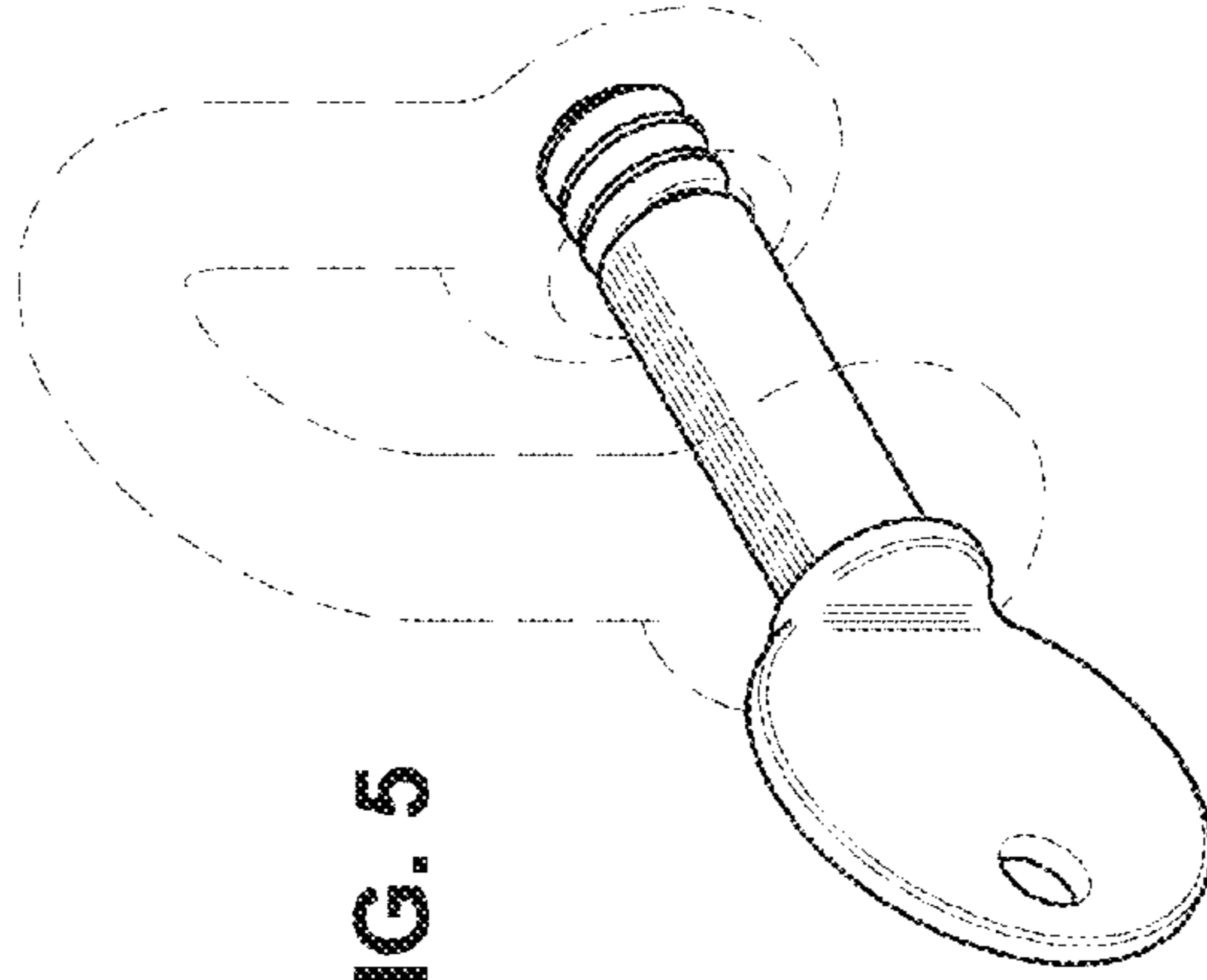


FIG. 5

FIG. 1

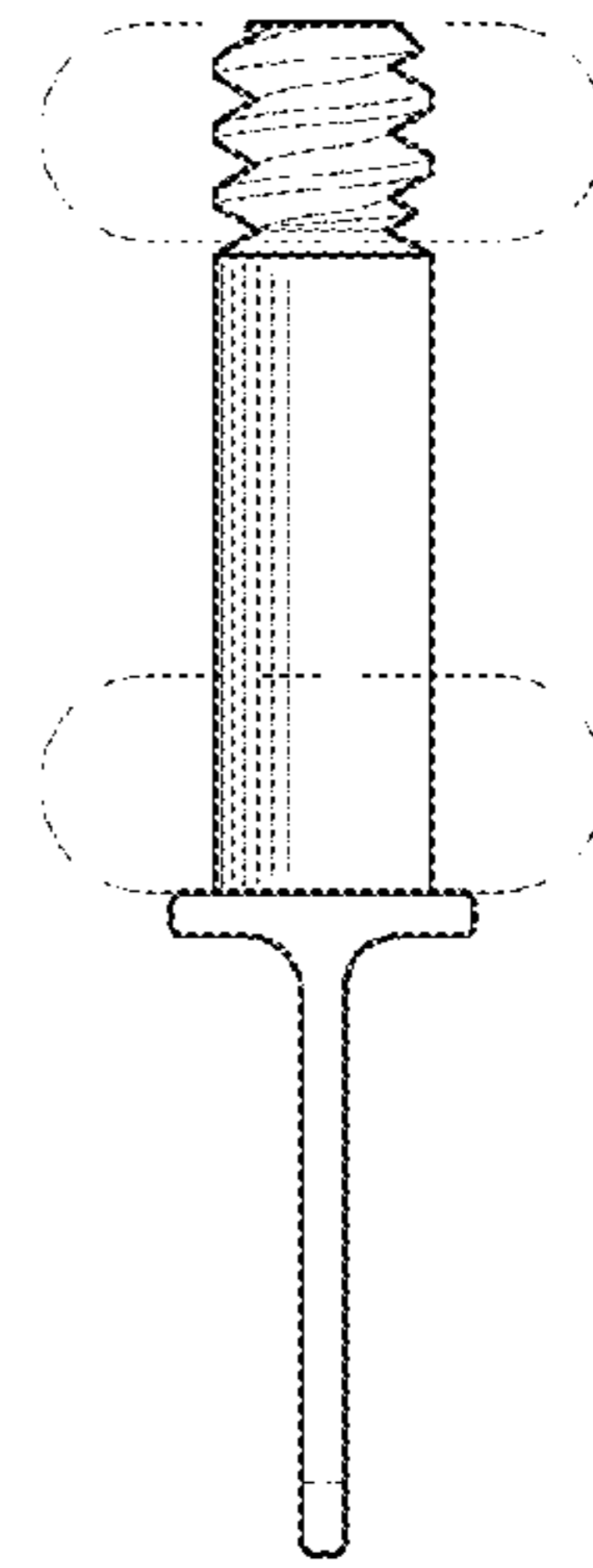
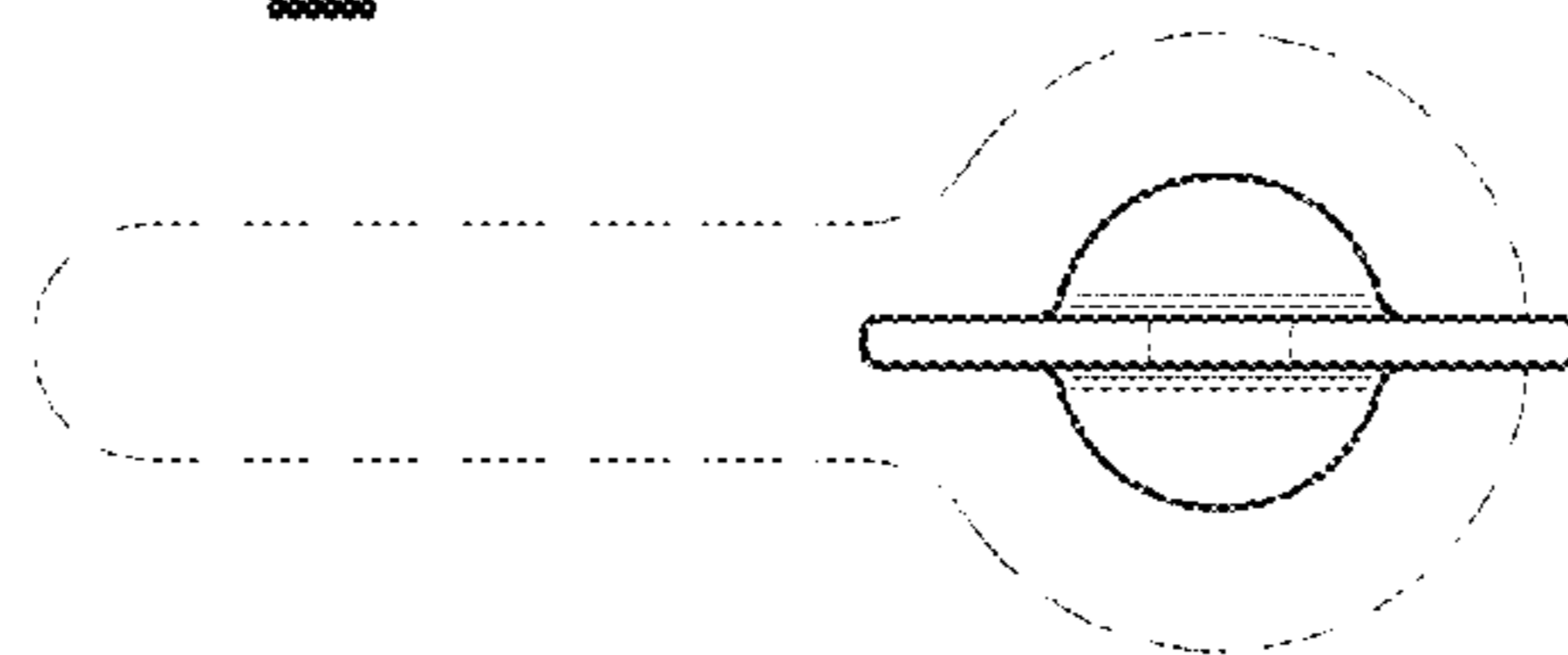


FIG. 3



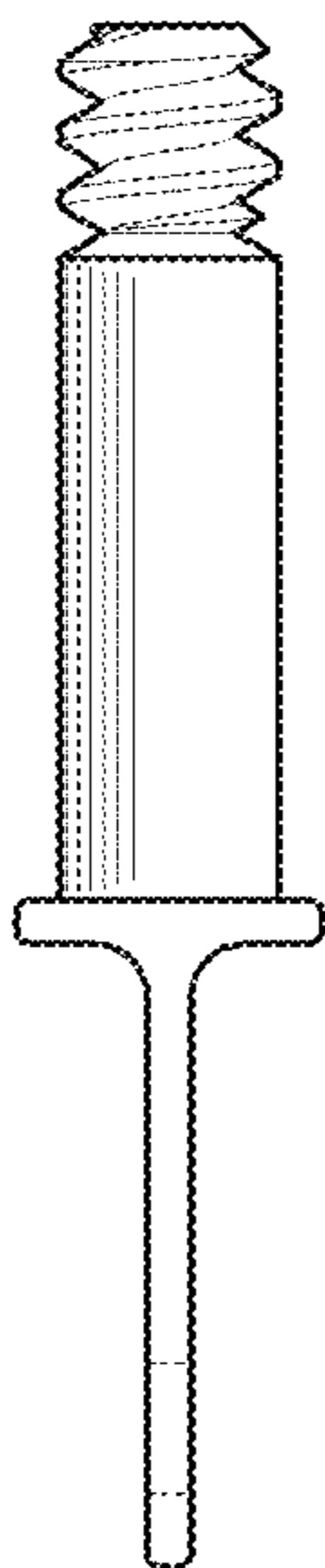


FIG. 7

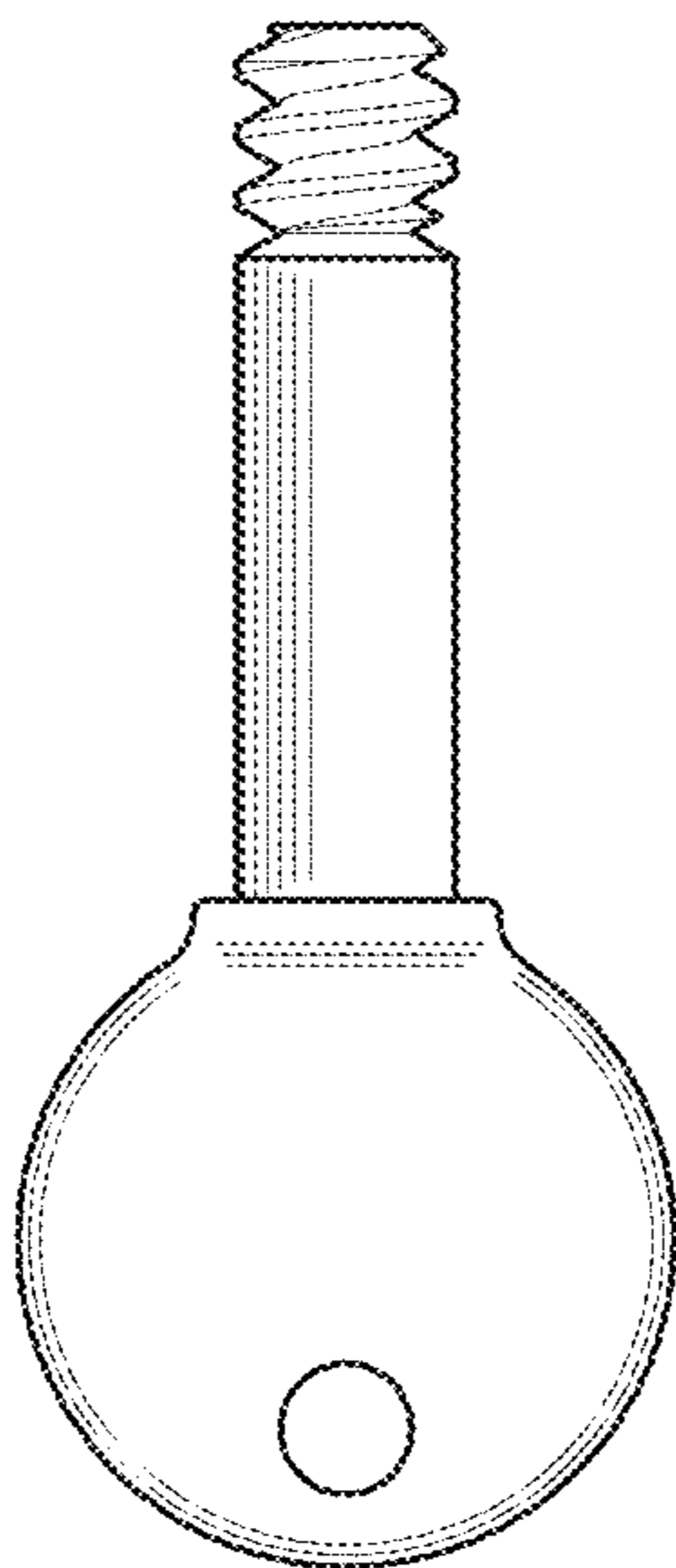


FIG. 6

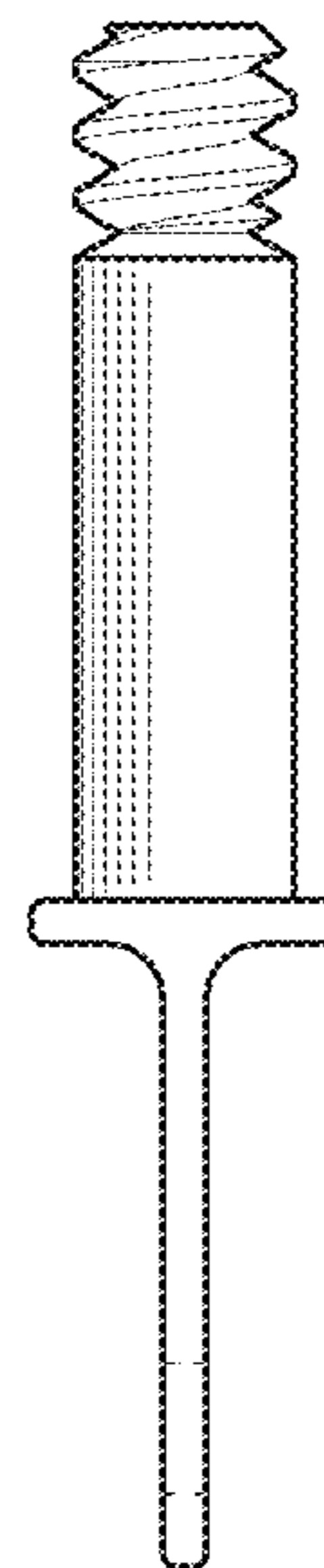


FIG. 8

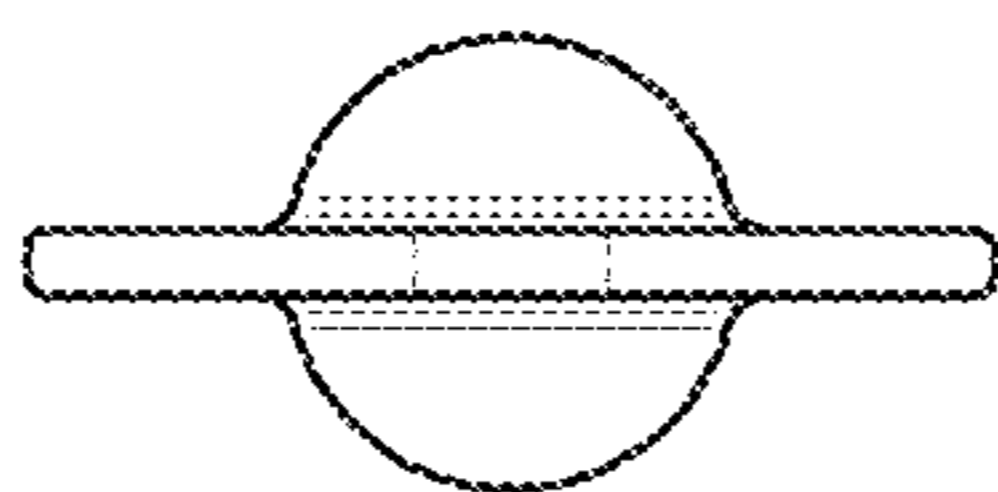


FIG. 9

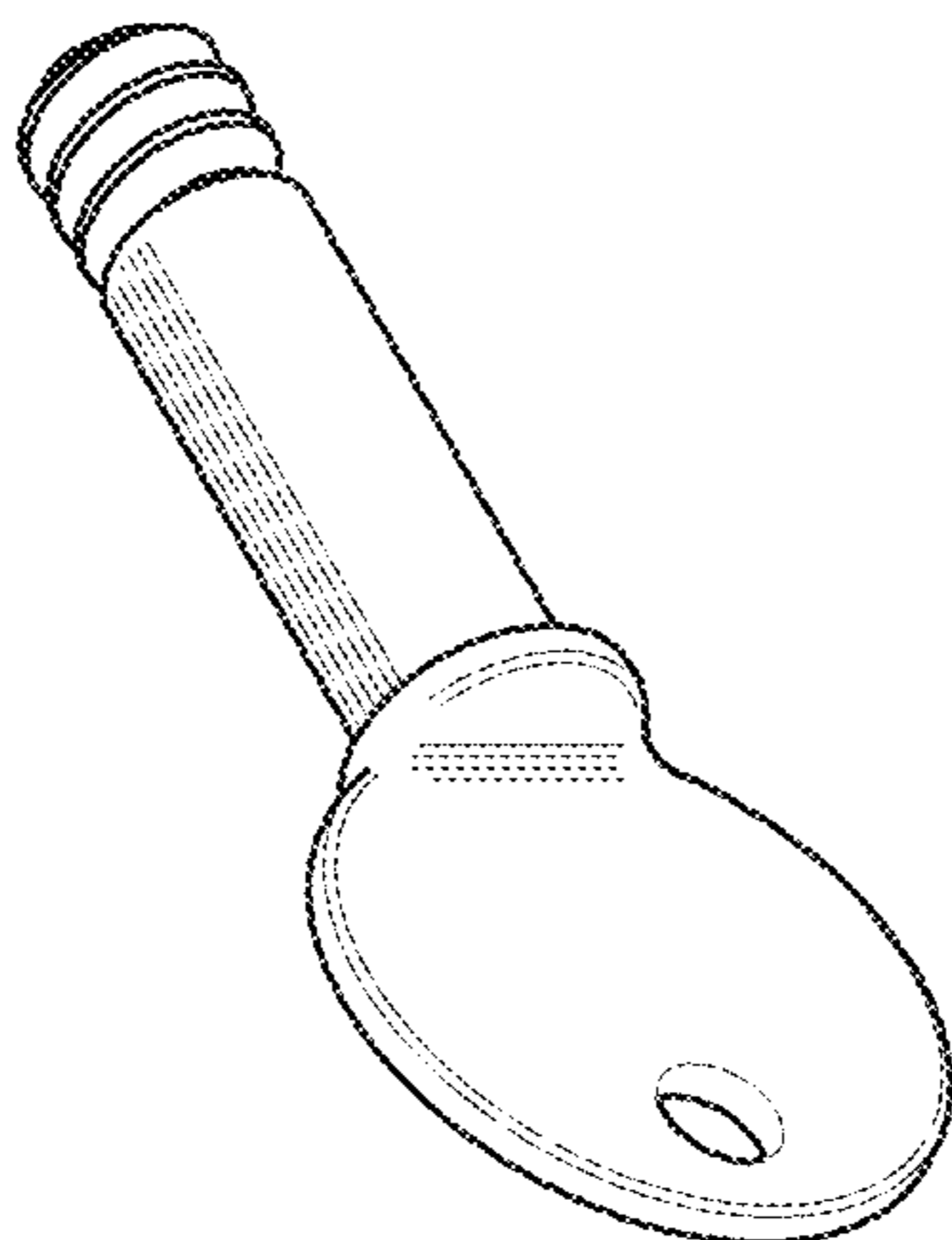


FIG. 10