



US00D752411S

(12) **United States Design Patent**
Ma

(10) **Patent No.:** **US D752,411 S**
(45) **Date of Patent:** **** Mar. 29, 2016**

- (54) **FOLDABLE KNIFE**
- (71) Applicant: **Prometheus Design Werx LLC**, San Francisco, CA (US)
- (72) Inventor: **Patrick York Ma**, San Francisco, CA (US)
- (73) Assignee: **Prometheus Design Werx, LLC**, San Francisco, CA (US)
- (**) Term: **14 Years**
- (21) Appl. No.: **29/500,794**
- (22) Filed: **Aug. 28, 2014**
- (51) **LOC (10) Cl.** **08-03**
- (52) **U.S. Cl.**
USPC **D8/99**
- (58) **Field of Classification Search**
USPC D8/99, 12, 98, 105, 107; D22/118
CPC B26B 1/02; B26B 1/04; B26B 1/046;
B26B 1/10; B26B 1/44; B26B 5/00
See application file for complete search history.

D422,871 S *	4/2000	Terzuola	D8/99
D464,246 S *	10/2002	Sloan	D8/99
D496,575 S *	9/2004	Carter, III	D8/99
D513,958 S *	1/2006	Ray	D8/99
D561,554 S *	2/2008	Taylor	D8/99
D636,053 S *	4/2011	Freeman	D22/118
D696,920 S *	1/2014	Cagampang	D8/99
D697,781 S *	1/2014	Trbovich	D8/99

* cited by examiner

Primary Examiner — Phillip S Hyder

(74) *Attorney, Agent, or Firm* — Benjamin D. Rotman; Rosenbaum IP, P.C.

(57) **CLAIM**

The ornamental design for a foldable knife, as shown and described.

DESCRIPTION

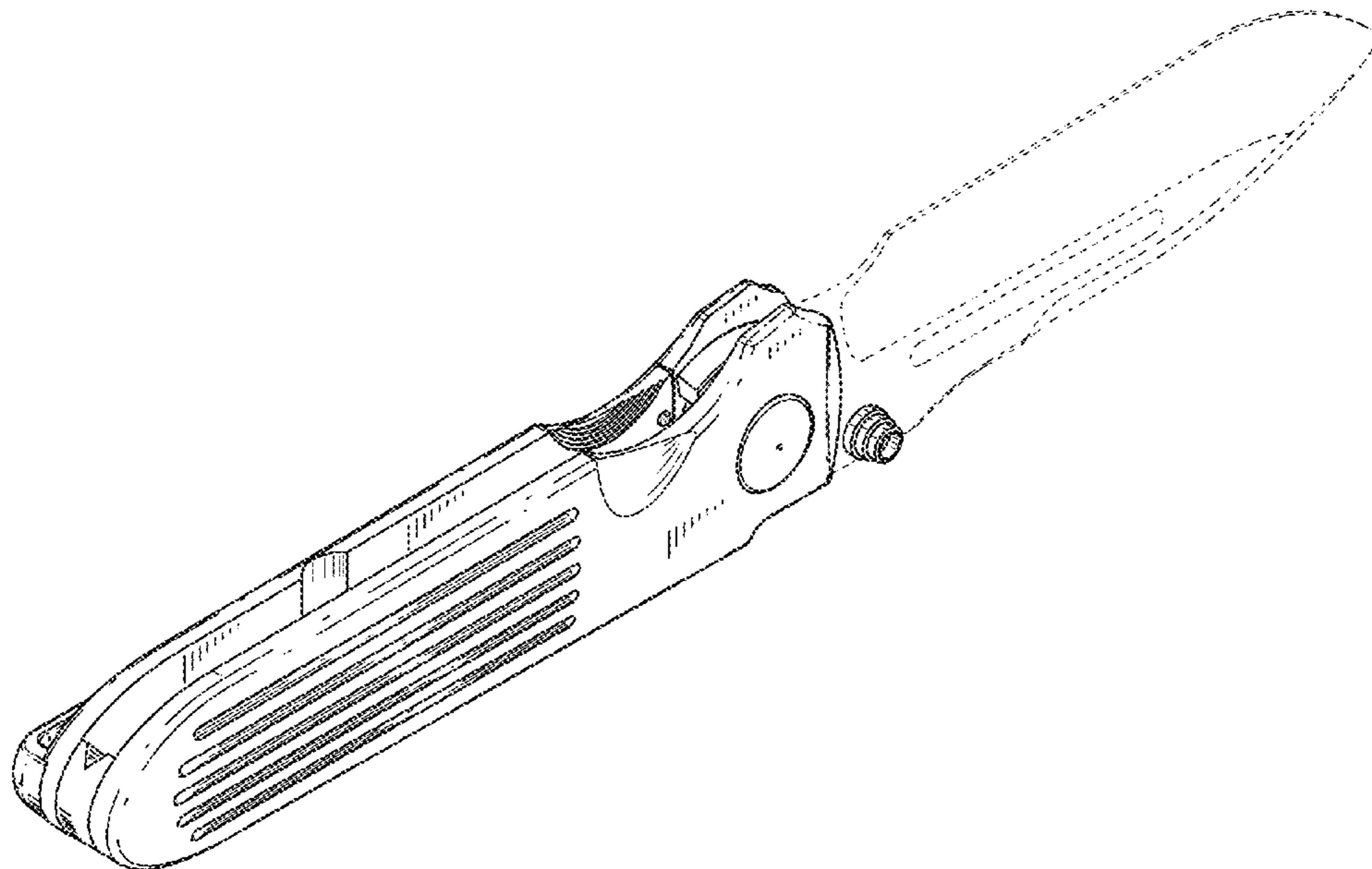
FIG. 1 is a top perspective view of a foldable knife showing my new design, wherein the blade is in the open position; FIG. 2 is a bottom perspective view of FIG. 1; FIG. 3 is a top plan view of FIG. 1; FIG. 4 is a bottom plan view of FIG. 1; FIG. 5 is a front elevation view of FIG. 1; FIG. 6 is a rear elevation view of FIG. 1; FIG. 7 is a right side elevation view of FIG. 1; and, FIG. 8 is a left side elevation view of FIG. 1. The knife blade is depicted in broken line form because it is not considered part of the claimed design.

1 Claim, 5 Drawing Sheets

(56) **References Cited**

U.S. PATENT DOCUMENTS

D348,818 S *	7/1994	Hasegawa	D22/118
D373,521 S *	9/1996	Applegate	D22/118
5,819,414 A *	10/1998	Marifone	B26B 1/046 30/160
D412,275 S *	7/1999	Collins	D8/99
D422,477 S *	4/2000	Elishewitz	D8/99



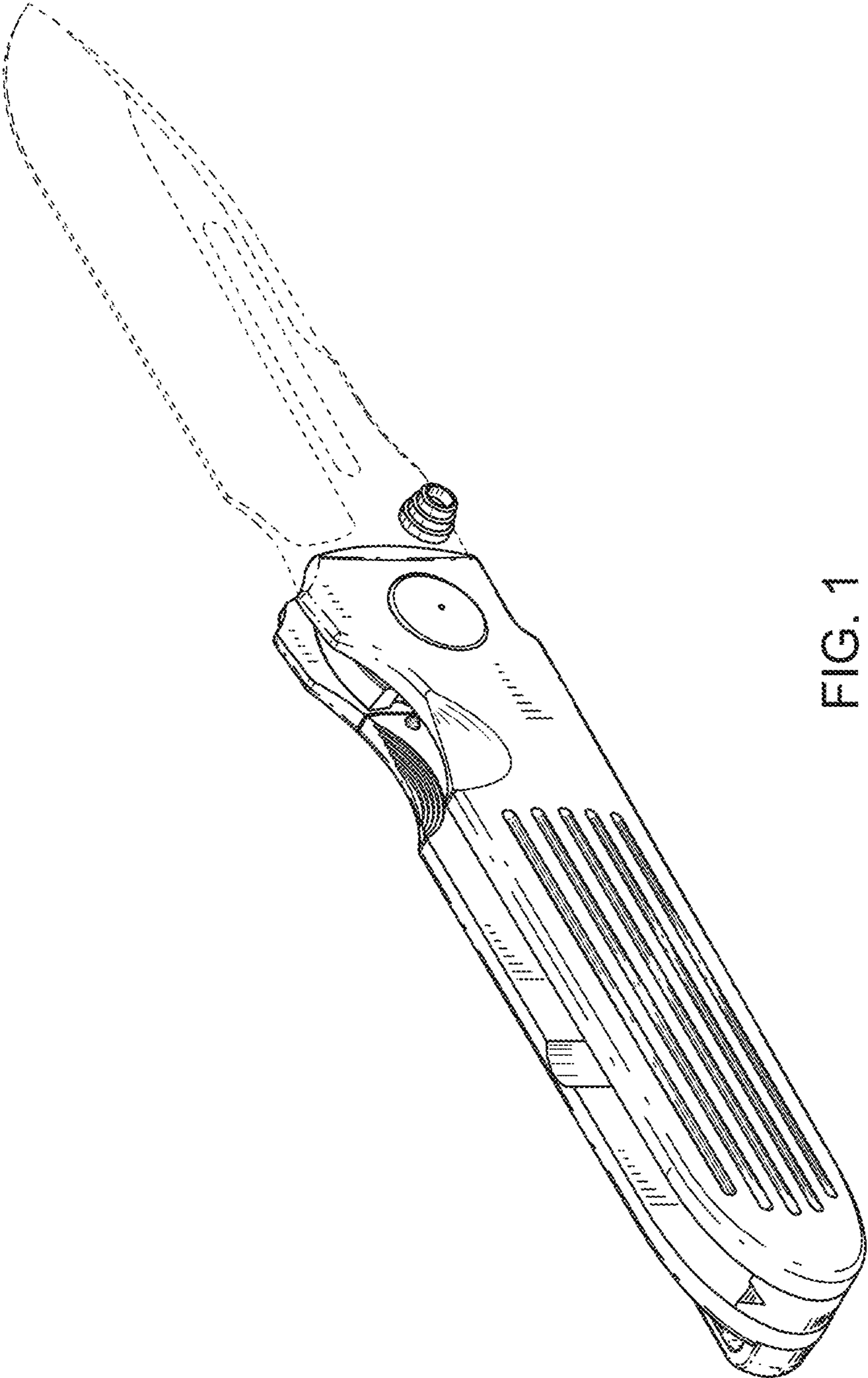


FIG. 1

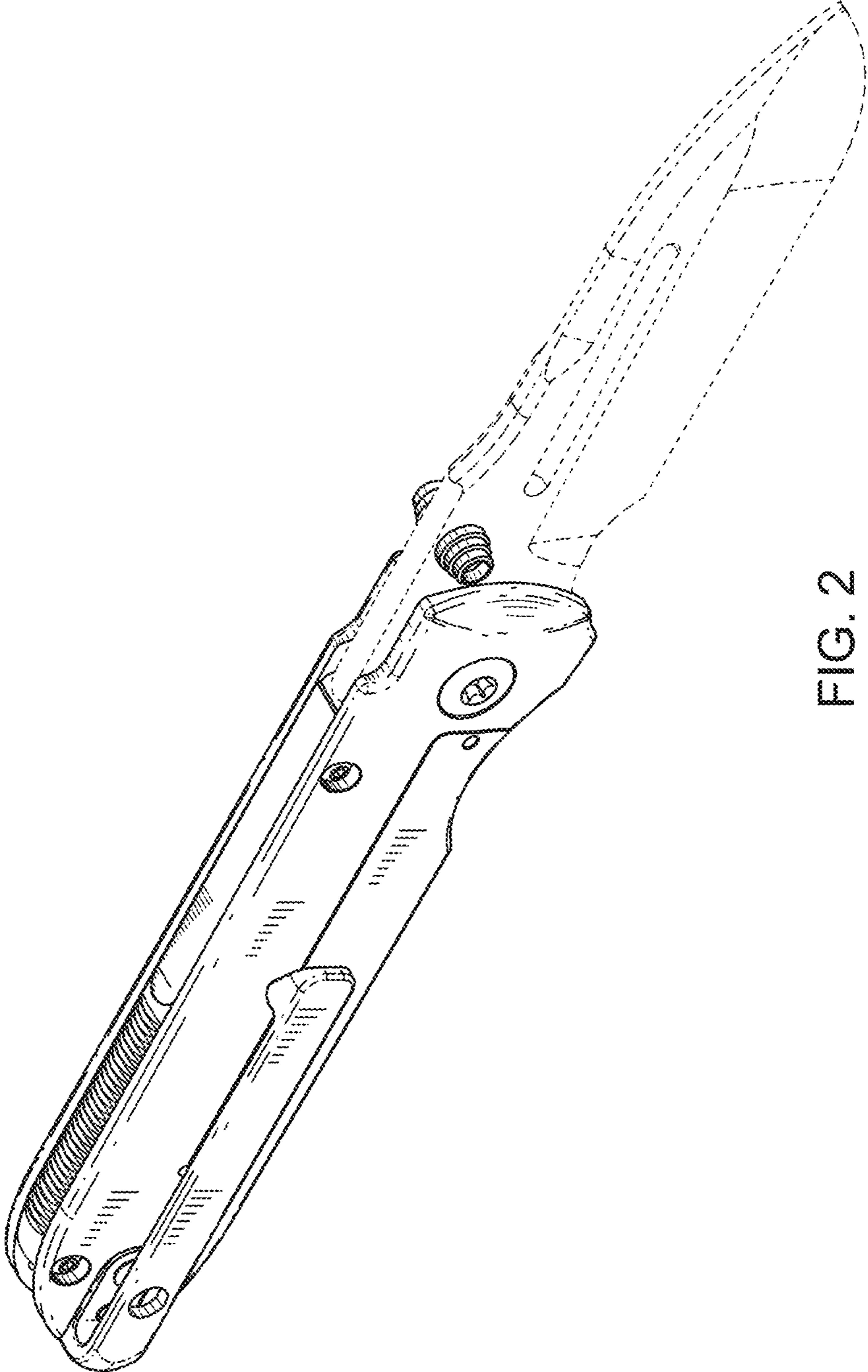


FIG. 2

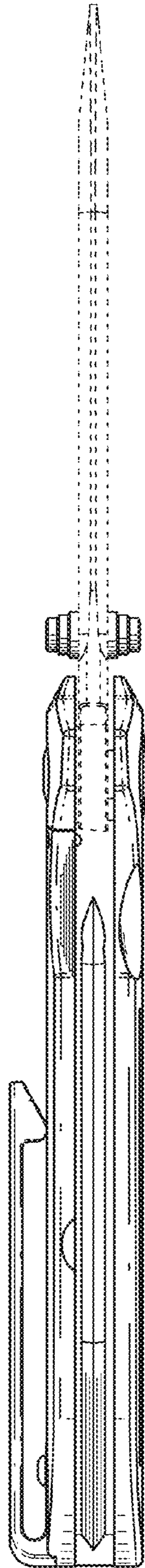


FIG. 3

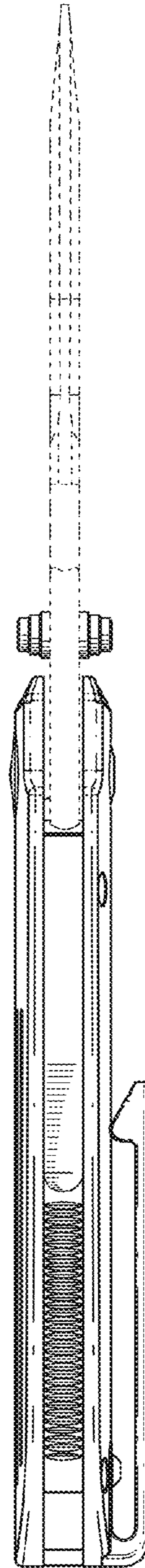


FIG. 4

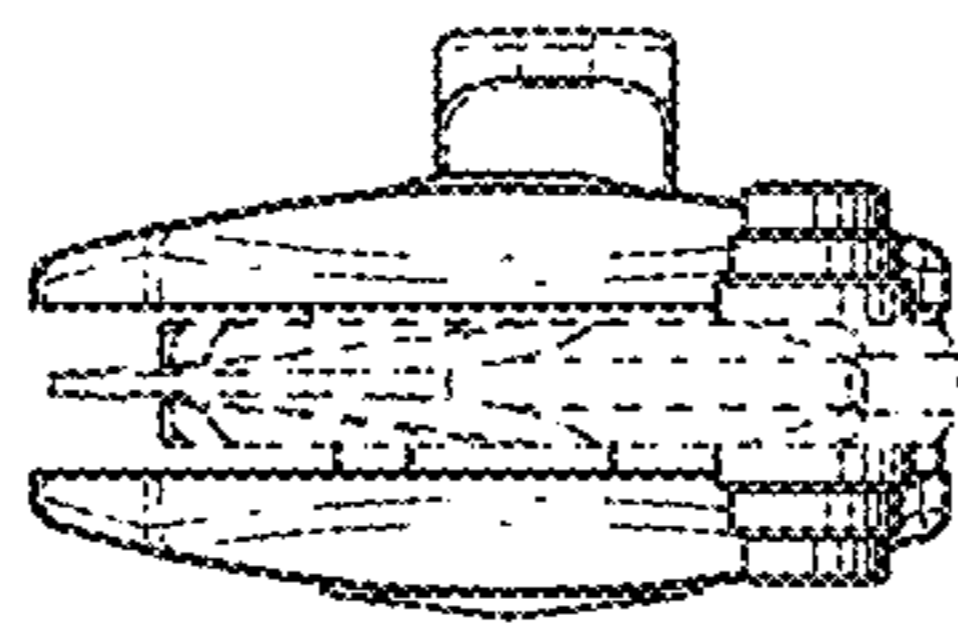


FIG. 6

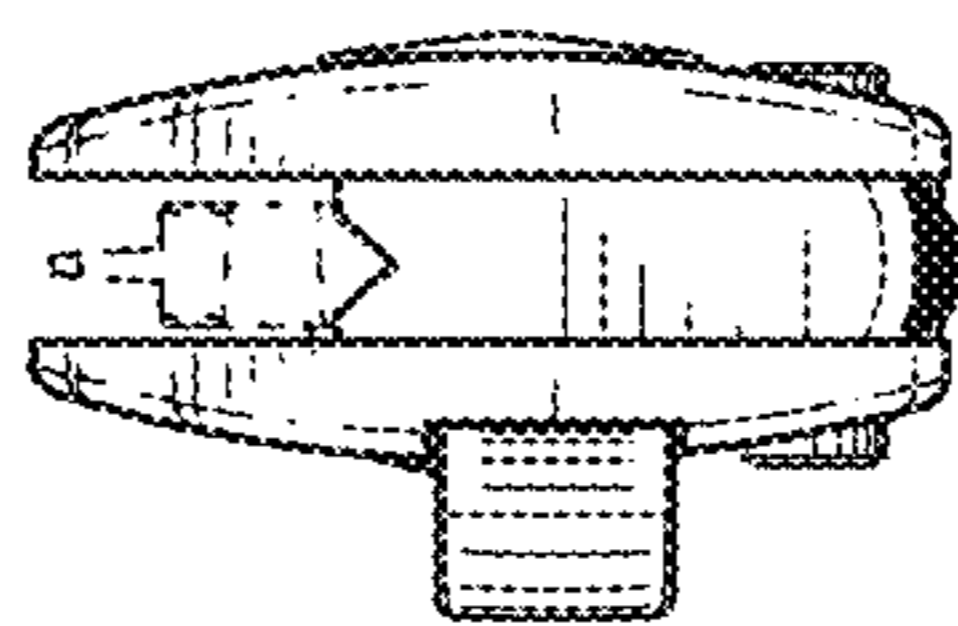


FIG. 5

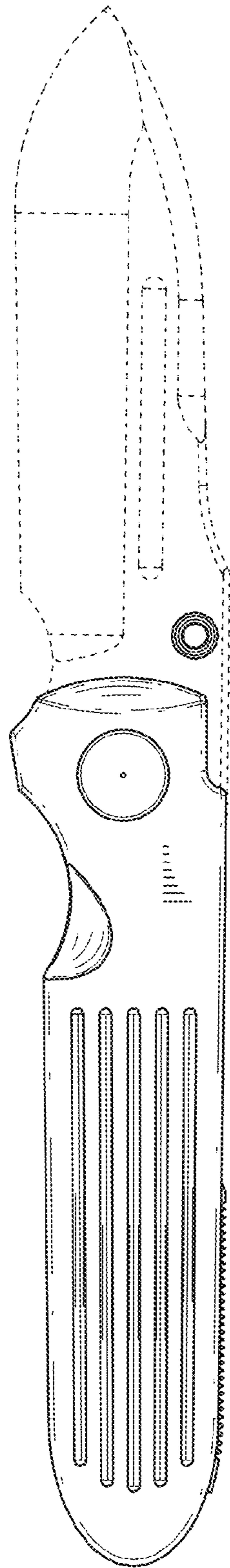


FIG. 7

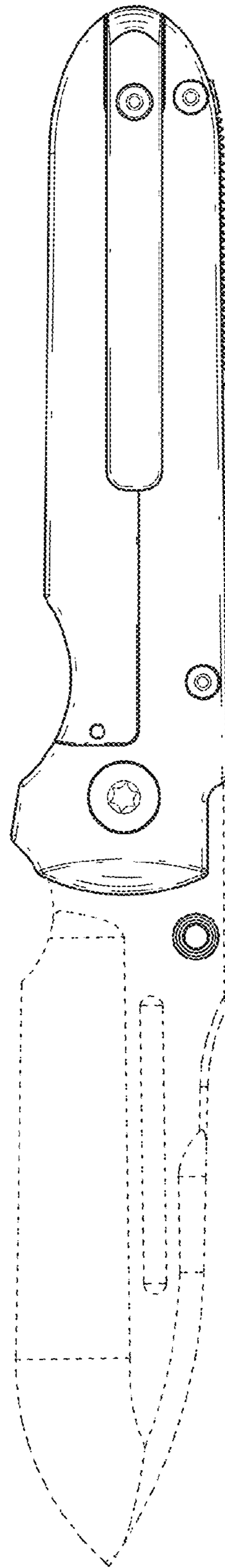


FIG. 8