



US00D752410S

(12) **United States Design Patent**  
**Kugimiya et al.**

(10) **Patent No.:** **US D752,410 S**  
(45) **Date of Patent:** **\*\* Mar. 29, 2016**

(54) **UTILITY KNIFE**

FOREIGN PATENT DOCUMENTS

(71) Applicant: **3M INNOVATIVE PROPERTIES COMPANY**, St. Paul, MN (US)

CN	300707769	11/2007
JP	D1122921	8/2001
JP	1226976	11/2004
JP	D1243823	5/2005

(72) Inventors: **Michitomo Kugimiya**, Kanagawa (JP);  
**Yasuyuki Daigo**, Tokyo (JP); **Yo Suzuki**,  
Tokyo (JP)

(Continued)

(73) Assignee: **3M INNOVATIVE PROPERTIES COMPANY**, St. Paul, MN (US)

OTHER PUBLICATIONS

LION1998, (Jan. 1, 1998), P947, L-500GRP, (JPO Reference No. HC10015916).

(Continued)

(\*\*) Term: **14 Years**

*Primary Examiner* — Phillip S Hyder

(74) *Attorney, Agent, or Firm* — Irina Hass

(21) Appl. No.: **29/492,346**

(57) **CLAIM**

The ornamental design for a utility knife, as shown and described.

(22) Filed: **May 30, 2014**

**DESCRIPTION**

(51) **LOC (10) Cl.** ..... **08-03**

(52) **U.S. Cl.**  
USPC ..... **D8/99**

(58) **Field of Classification Search**  
USPC ..... D8/98, 99, 105, 107  
CPC ..... B26B 5/001; B26B 5/003; B26B 11/00;  
B26B 1/08

See application file for complete search history.

FIG. 1 is a front perspective view of a first embodiment of a utility knife showing the new design; FIG. 2 is a front view thereof; FIG. 3 is a top view thereof; FIG. 4 is a bottom view thereof; FIG. 5 is a left side view thereof; FIG. 6 is a right side view thereof; FIG. 7 is a rear view thereof; FIG. 8 is a rear perspective view thereof; FIG. 9 is a front perspective view of a second embodiment of a utility knife showing the new design; FIG. 10 is a front view thereof; FIG. 11 is a top view thereof; FIG. 12 is a bottom view thereof; FIG. 13 is a left side view thereof; FIG. 14 is a right side view thereof; FIG. 15 is a rear view thereof; and, FIG. 16 is a rear perspective view thereof.

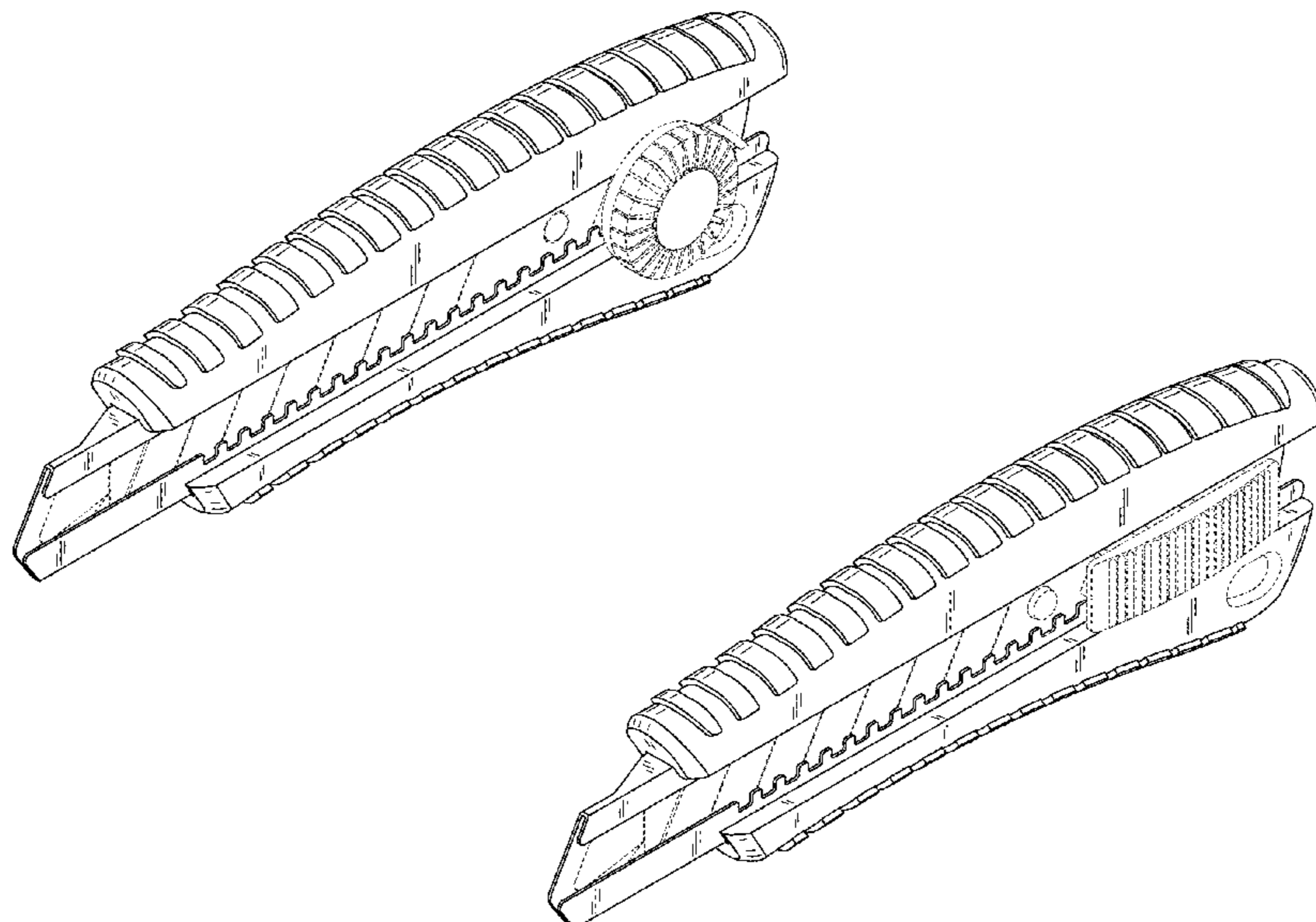
The portions of the utility knife shown in broken lines form no part of the claimed design.

(56) **References Cited**

U.S. PATENT DOCUMENTS

D398,829 S *	9/1998	Okada	.....	D8/99
D412,822 S *	8/1999	Gilbert et al.	.....	D8/99
D442,054 S *	5/2001	Okada et al.	.....	D8/99
D459,189 S *	6/2002	Chong	.....	D8/99
D517,894 S *	3/2006	Kondo et al.	.....	D8/99
D523,316 S *	6/2006	Kondo et al.	.....	D8/99
D699,092 S *	2/2014	Wagner	.....	D8/99
D699,540 S *	2/2014	Wagner	.....	D8/99
D699,541 S *	2/2014	Wagner	.....	D8/99
D708,499 S *	7/2014	Garavaglia et al.	.....	D8/99

**1 Claim, 6 Drawing Sheets**



(56)

**References Cited**

**OTHER PUBLICATIONS**

FOREIGN PATENT DOCUMENTS

JP	D1300039	3/2007
JP	2008-229076	10/2008
JP	D1394294	7/2010
JP	D1394295	7/2010
JP	2010-264004	11/2010
JP	D1423032	8/2011
JP	D1483753	10/2013
KR	30-0273123	4/2001
KR	30-0437001	1/2007

Tajima General Catalogue 2003>04, P52, (JPO Reference No.

HC16052019).

Plus Stationery Corp., Homepage, Jan. 23, 2008, (JPO Reference No.

HJ19076560).

\* cited by examiner

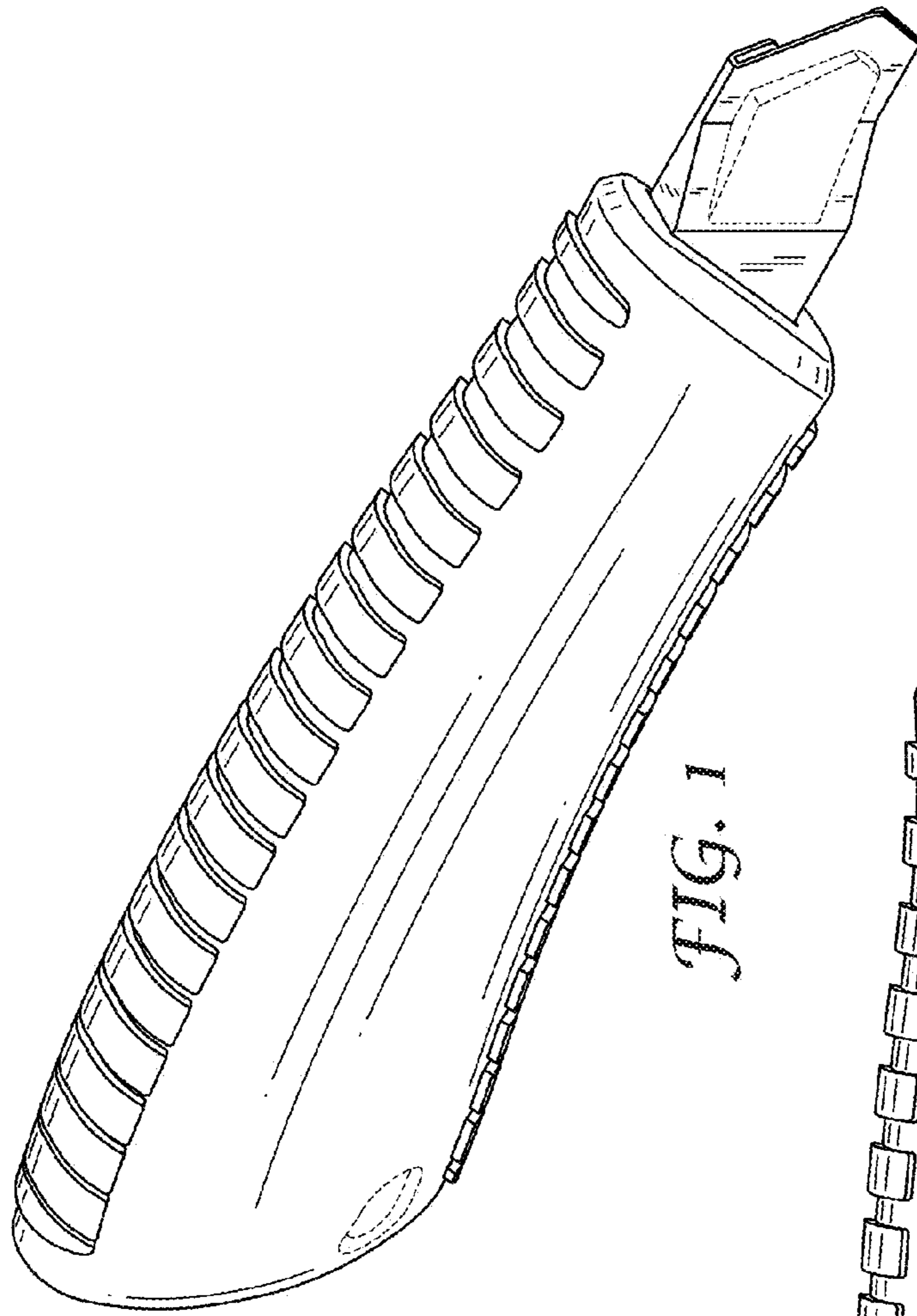


FIG. 1

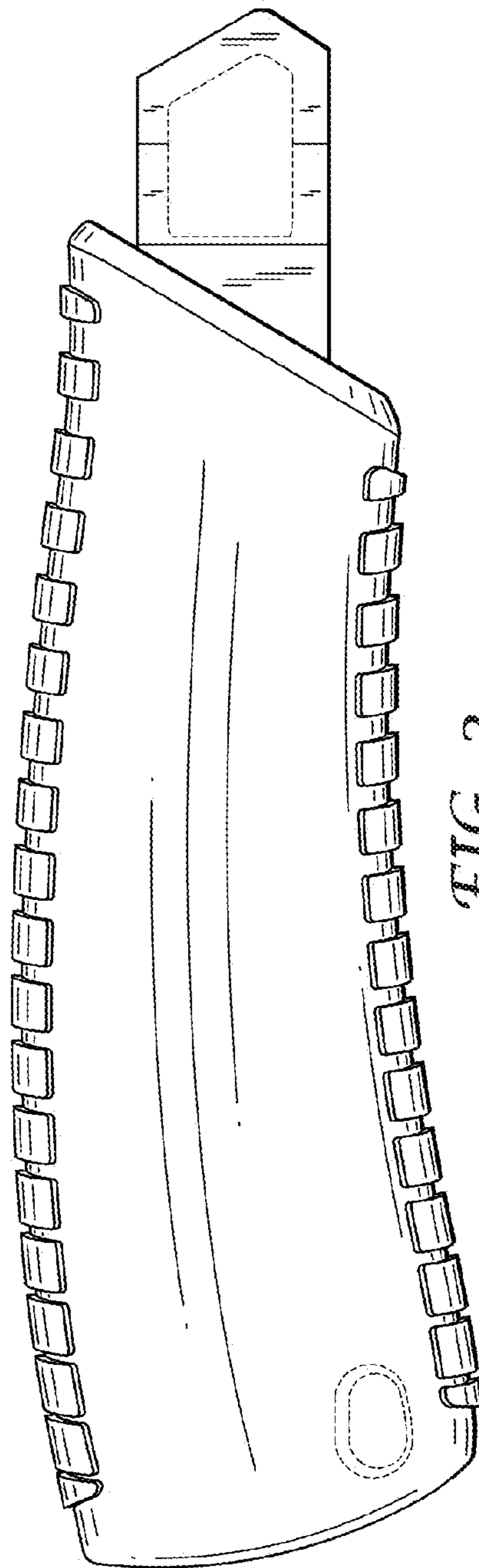


FIG. 2

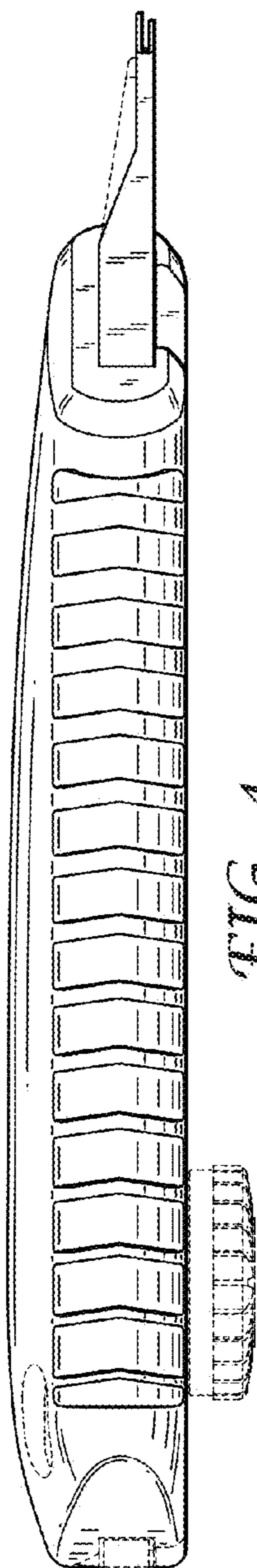


FIG. 4

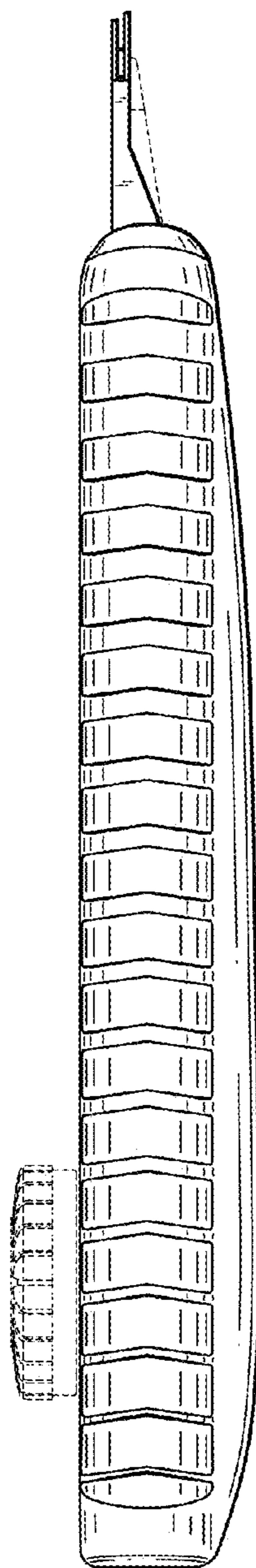


FIG. 3

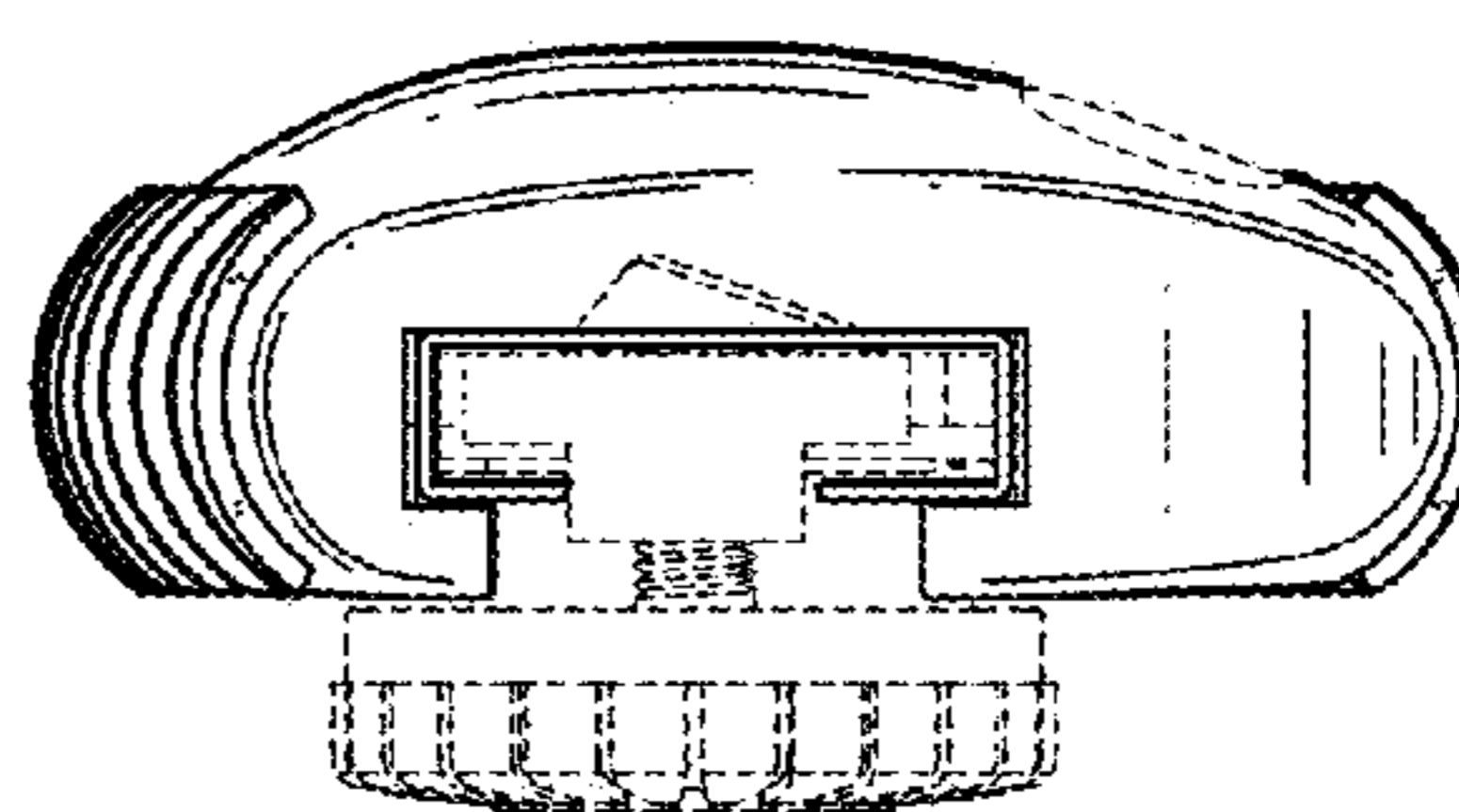


FIG. 5

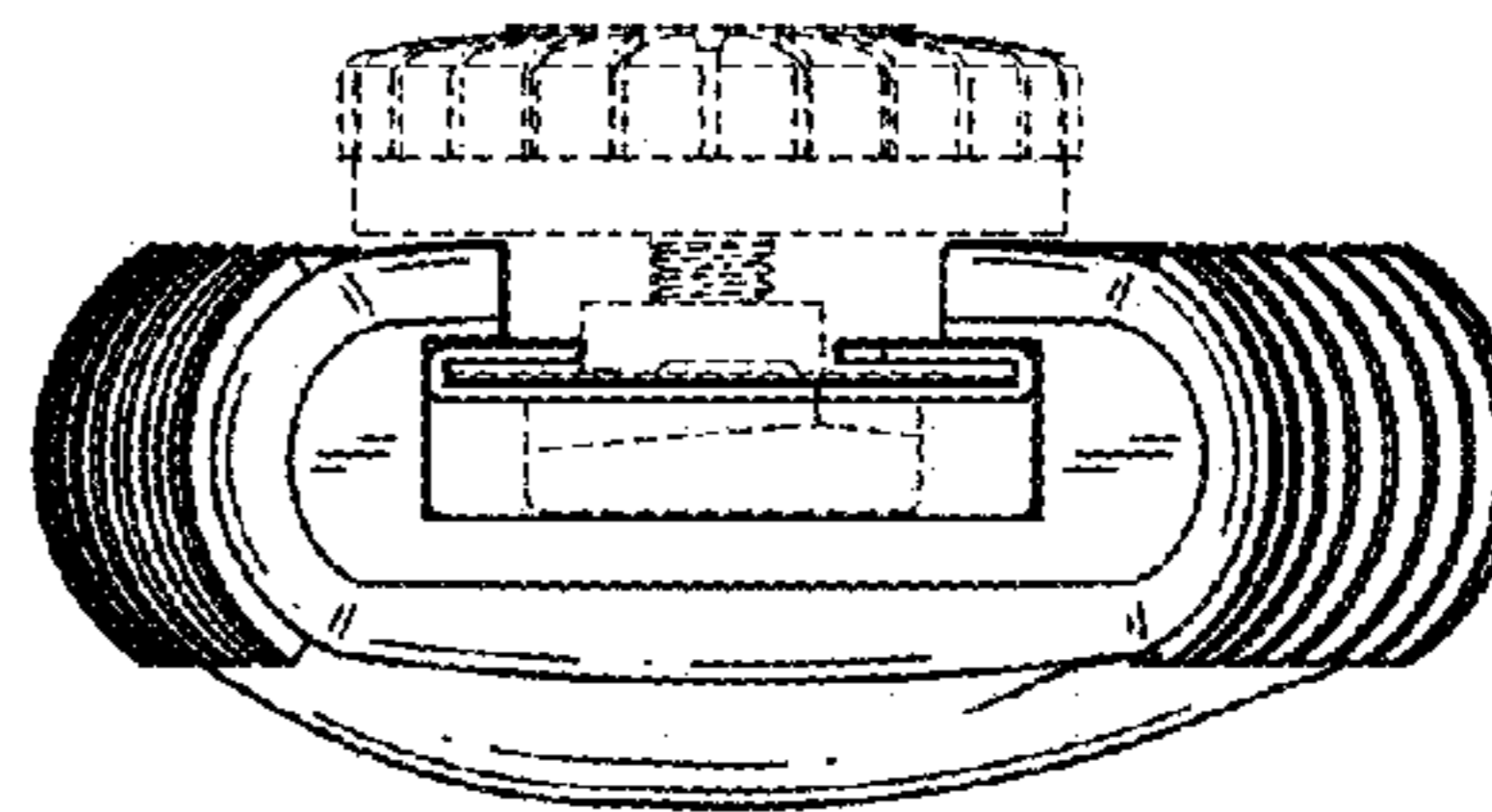
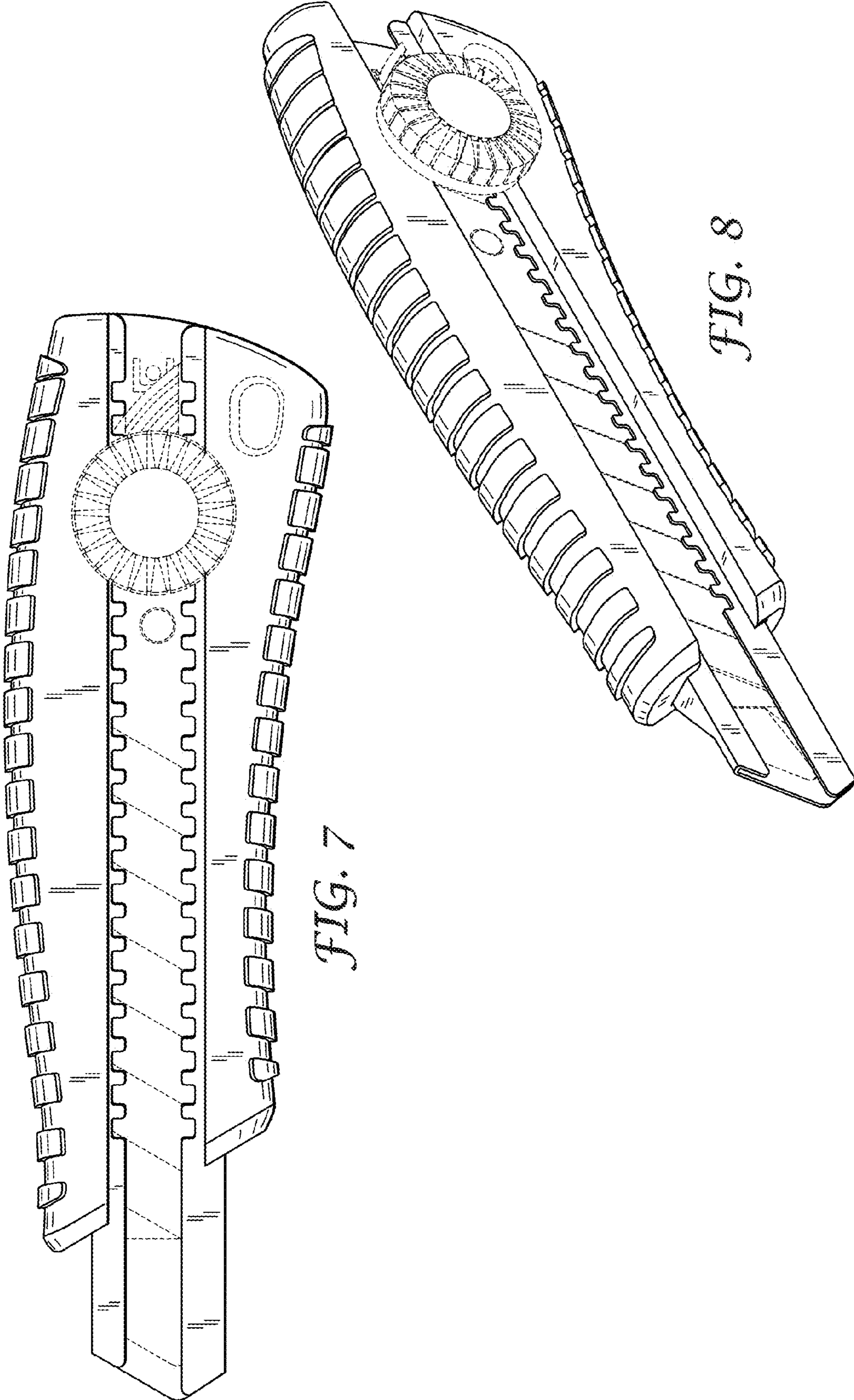


FIG. 6



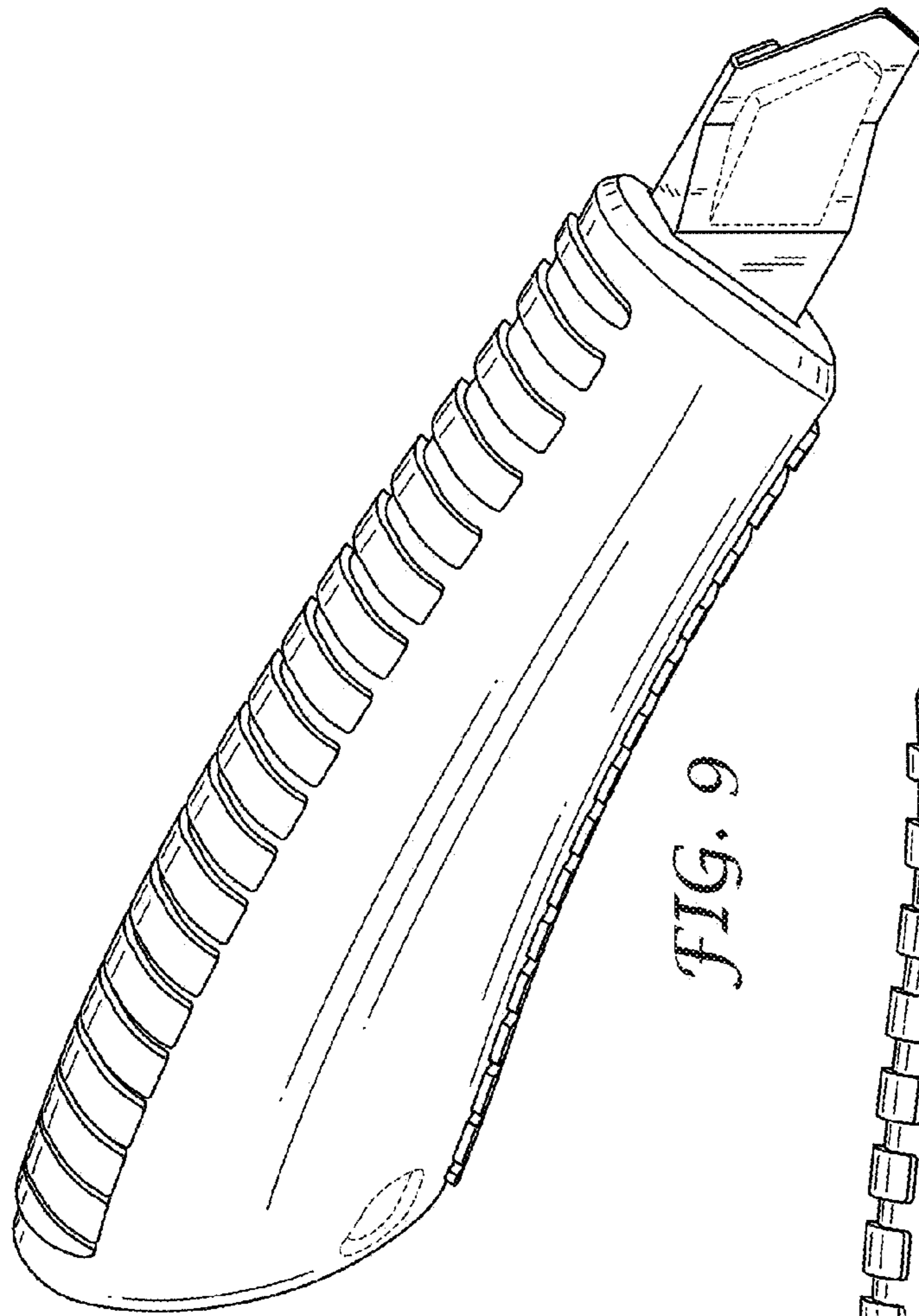


FIG. 9

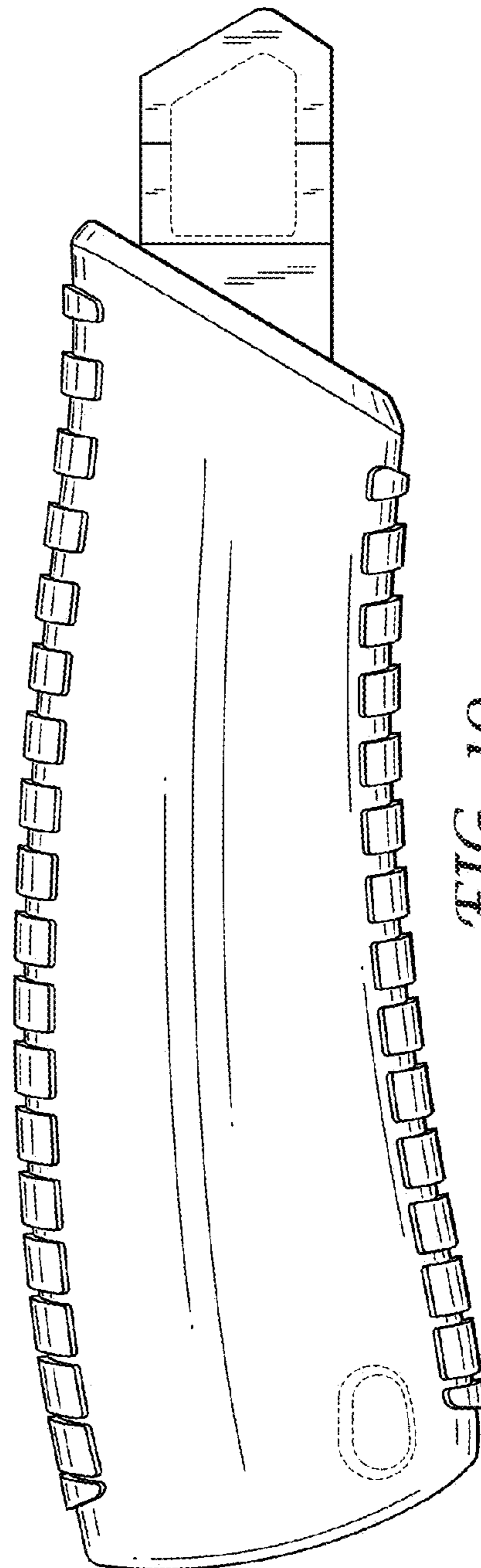


FIG. 10

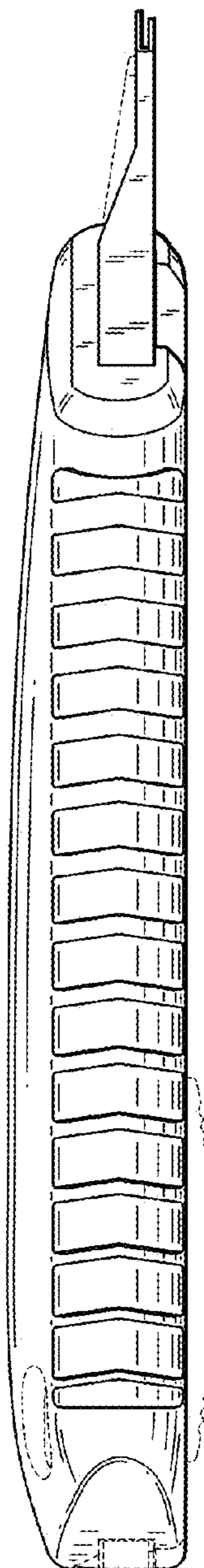


FIG. 11

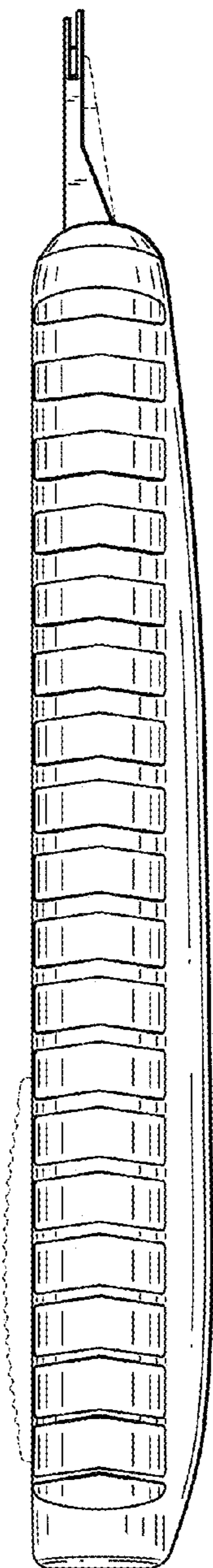


FIG. 12

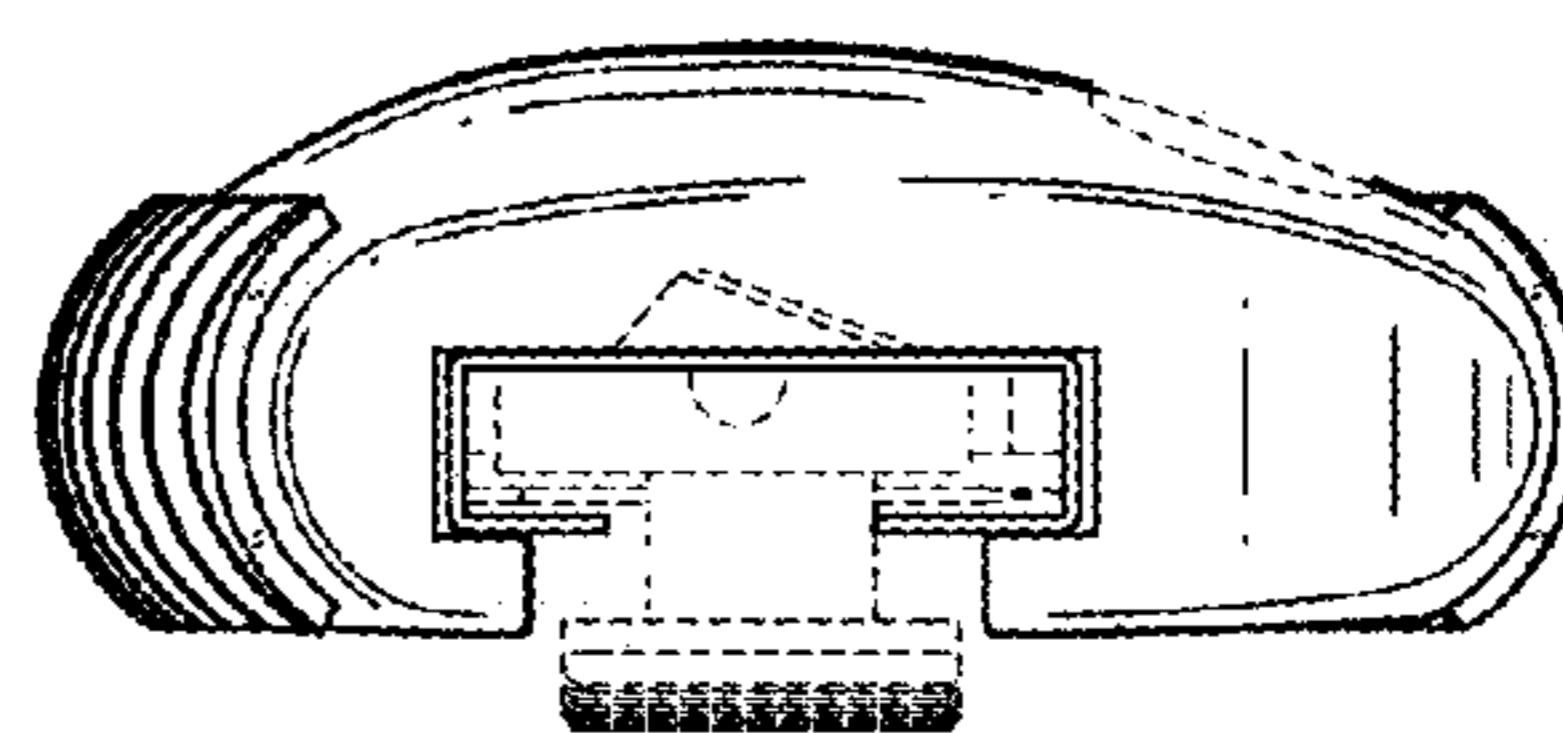


FIG. 13

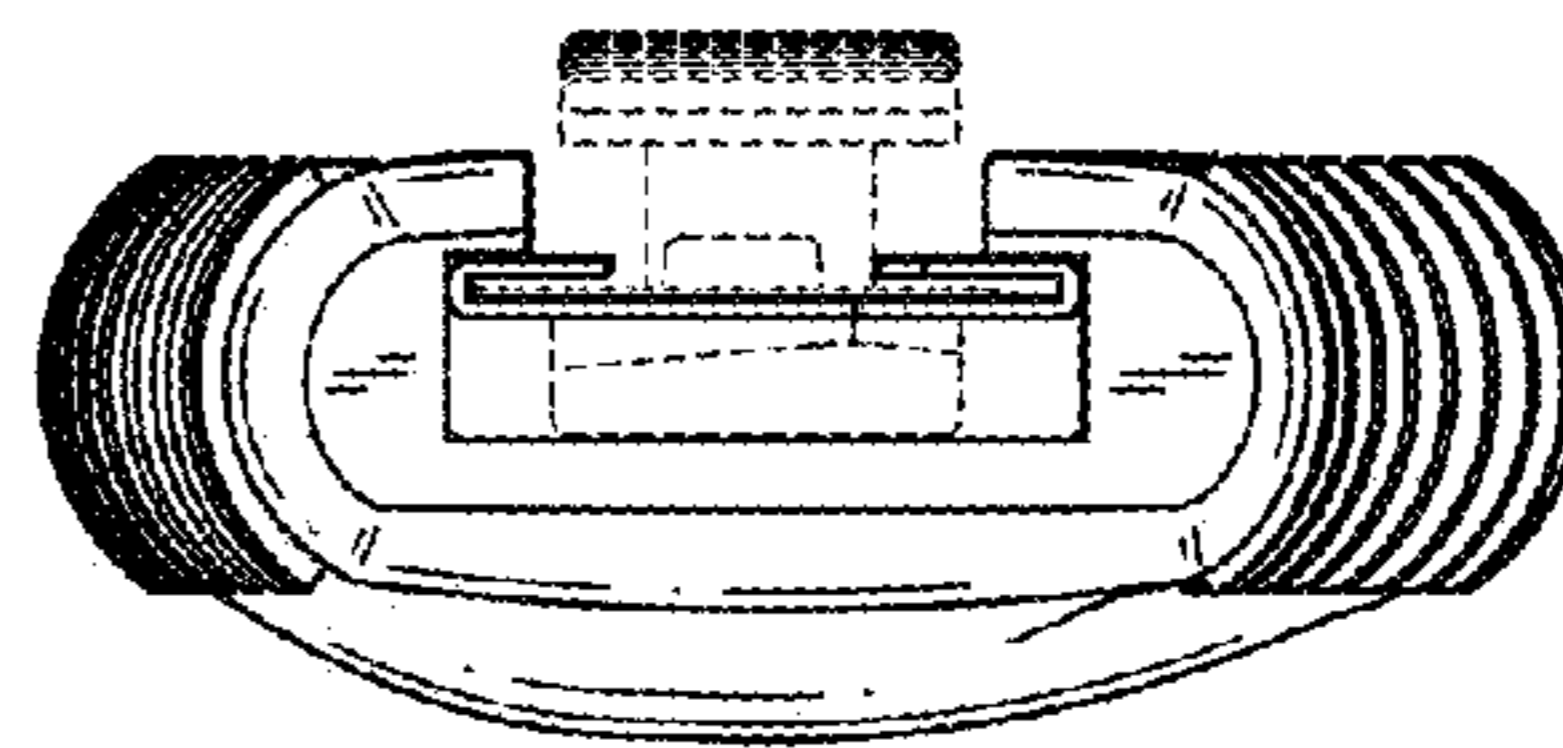


FIG. 14

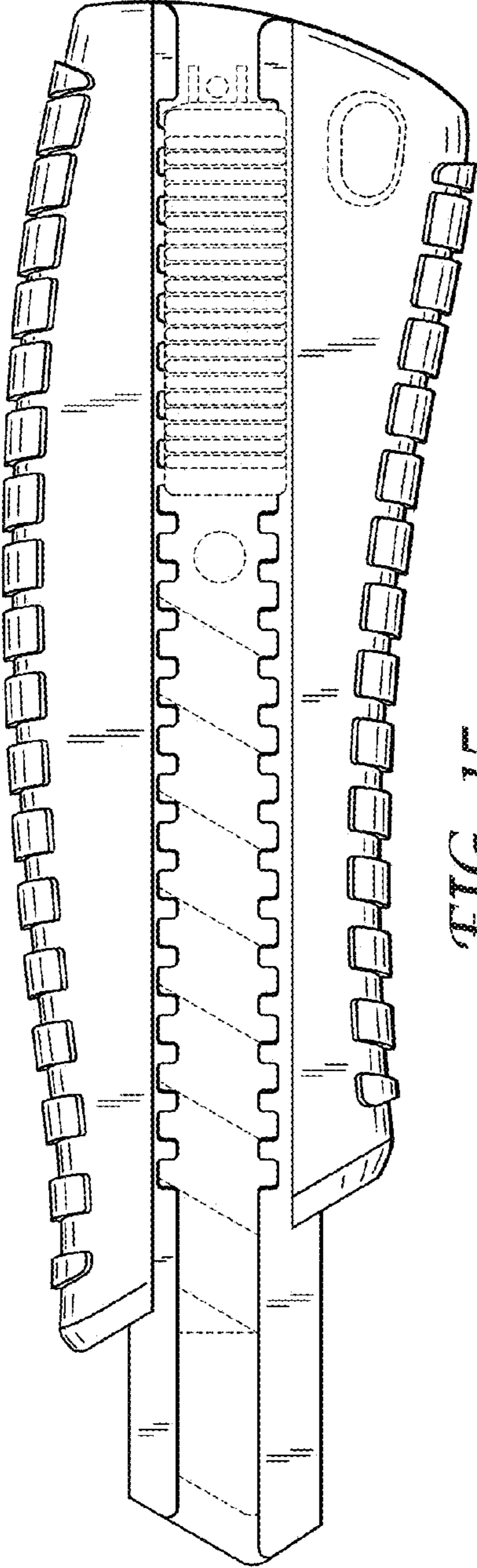


FIG. 15

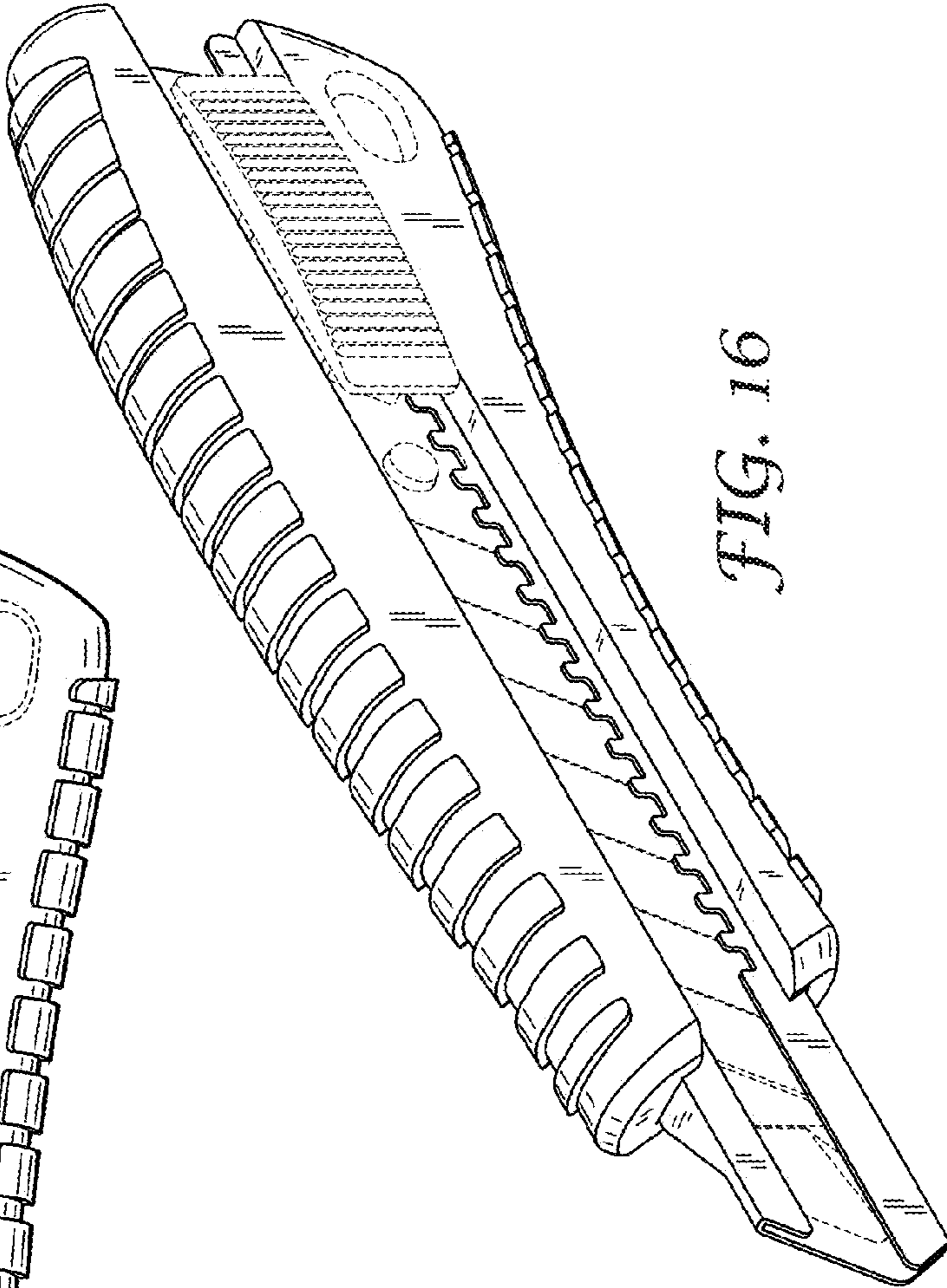


FIG. 16