



US00D752409S

(12) **United States Design Patent**
Pirayesh et al.

(10) **Patent No.:** **US D752,409 S**
(45) **Date of Patent:** **** Mar. 29, 2016**

- (54) **ROTARY CUTTER**
- (71) Applicant: **Hewlett-Packard Development Company, L.P.**, Houston, TX (US)
- (72) Inventors: **Francois K. Pirayesh**, San Diego, CA (US); **Xiaoqi Zhou**, San Diego, CA (US); **David Edmondson**, San Diego, CA (US)
- (73) Assignee: **Hewlett-Packard Development Company, L.P.**, Houston, TX (US)
- (**) Term: **15 Years**
- (21) Appl. No.: **29/529,114**
- (22) Filed: **Jun. 3, 2015**

- 5,299,355 A 4/1994 Boda et al.
- 5,303,476 A 4/1994 Tuggle
- 5,522,135 A * 6/1996 Votolato B26B 29/02
30/2
- 5,765,289 A 6/1998 Schulz et al.
- 6,189,218 B1 2/2001 Okada
- 6,282,794 B1 9/2001 Cho et al.
- 6,327,783 B1 12/2001 Ming
- 7,204,023 B2 4/2007 Chang
- D557,583 S 12/2007 Lewis et al.

(Continued)

OTHER PUBLICATIONS

“Makoto Orisaki Rotary Cardboard Cutter Blade”. Found online Sep. 2, 2015 at designboom.com. Page dated Nov. 24, 2010. Retrieved from <http://www.designboom.com/design/makoto-orisaki-or-ita-rotary-cardboard-cutter-blade-part-1/>.*

(Continued)

Related U.S. Application Data

- (62) Division of application No. 29/427,441, filed on Jul. 18, 2012.
- (51) **LOC (10) Cl.** **08-03**
- (52) **U.S. Cl.**
USPC **D8/98; D8/51**
- (58) **Field of Classification Search**
USPC D8/65, 7, 8, 9, 66, 64, 61, 98, 14, 51,
D8/99, 107, 70; 30/386, 382, 123, 381,
30/165, 123.3, 123.4, 319, 292, 307, 162,
30/306, 263
CPC B26B 13/005
See application file for complete search history.

Primary Examiner — Robert M Spear
Assistant Examiner — Kendra L Hamilton
(74) *Attorney, Agent, or Firm* — Dierker & Associates, P.C.

(57) **CLAIM**

The ornamental design for a rotary cutter, as shown and described.

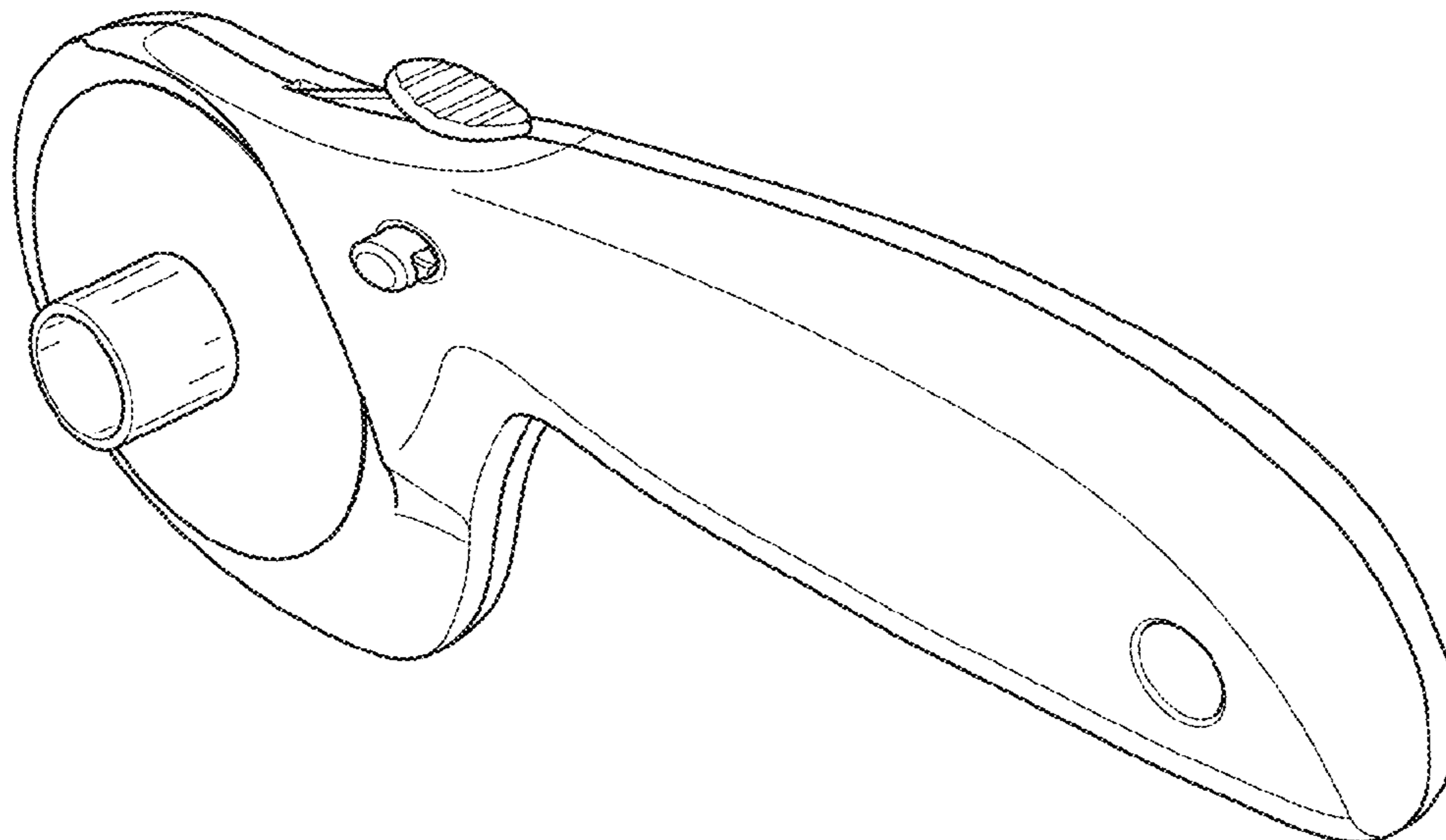
DESCRIPTION

FIG. 1 is an isometric view of a rotary cutter showing our new design;
FIG. 2 is a right side view of the rotary cutter shown in FIG. 1;
FIG. 3 is a left side view of the rotary cutter shown in FIG. 1;
FIG. 4 is a front view of the rotary cutter shown in FIG. 1;
FIG. 5 is a back view of the rotary cutter shown in FIG. 1;
FIG. 6 is a top view of the rotary cutter shown in FIG. 1; and,
FIG. 7 is a bottom view of the rotary cutter shown in FIG. 1.

1 Claim, 2 Drawing Sheets

(56) **References Cited**
U.S. PATENT DOCUMENTS

- 4,274,319 A 6/1981 Frye et al.
- 5,101,564 A 4/1992 Melter
- D341,764 S 11/1993 Birkholz



(56)

References Cited

U.S. PATENT DOCUMENTS

D582,239 S 12/2008 Eby et al.
 D633,361 S 3/2011 Chang
 8,046,922 B2 11/2011 Eby et al.
 8,782,909 B1 * 7/2014 Davis B26B 5/003
 30/2
 9,003,668 B2 * 4/2015 Landwehr B26B 5/00
 30/153
 D737,110 S * 8/2015 Schuft D8/99
 9,107,695 B2 * 8/2015 Horton A61B 17/42
 2003/0131483 A1 7/2003 Carlson et al.
 2004/0093734 A1 * 5/2004 Votolato B26B 29/02
 30/2
 2005/0188545 A1 * 9/2005 Poteet B25G 1/102
 30/340
 2006/0236551 A1 10/2006 Chang
 2006/0248725 A1 * 11/2006 Huang B67B 7/30
 30/2
 2007/0028461 A1 * 2/2007 Chen Lin B26B 25/005
 30/293

2008/0010838 A1 1/2008 Kortleven et al.
 2008/0010839 A1 1/2008 Eby et al.
 2008/0201960 A1 * 8/2008 Watanabe B26B 29/02
 30/151
 2009/0271988 A1 * 11/2009 Votolato B26B 5/003
 30/158
 2010/0037787 A1 * 2/2010 Eide B26B 25/005
 99/538
 2015/0013171 A1 * 1/2015 Wu B26B 5/003
 30/162

OTHER PUBLICATIONS

“Rotary Cutters and Mats”. Found online Sep. 2, 2015 at
 threadsmagazine.com. Page dated Nov. 19, 2008. Retrieved from
[http://www.threadsmagazine.com/item/4981/rotary-cutters-and-](http://www.threadsmagazine.com/item/4981/rotary-cutters-and-mats)
 mats.*
 “Carl CC-10 Handheld Rotary Cutter”, abcoffice website, www.
 abcoffice.com/carl10.htm.
 “TrueCut Rotary Cutting System” by The Grace Company, I Have a
 Notion website, www.ihavea-notion.com.

* cited by examiner

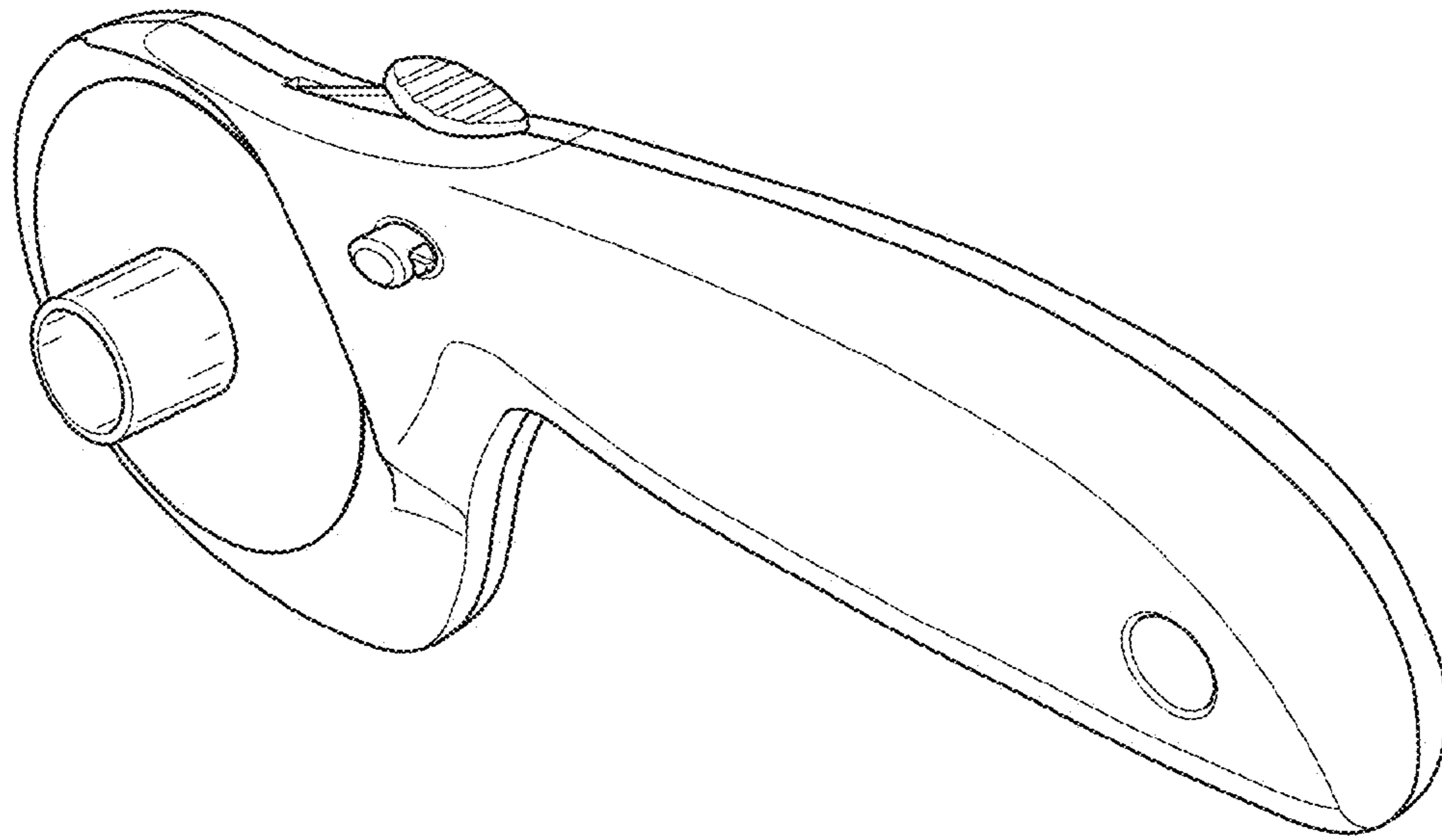


FIG. 1

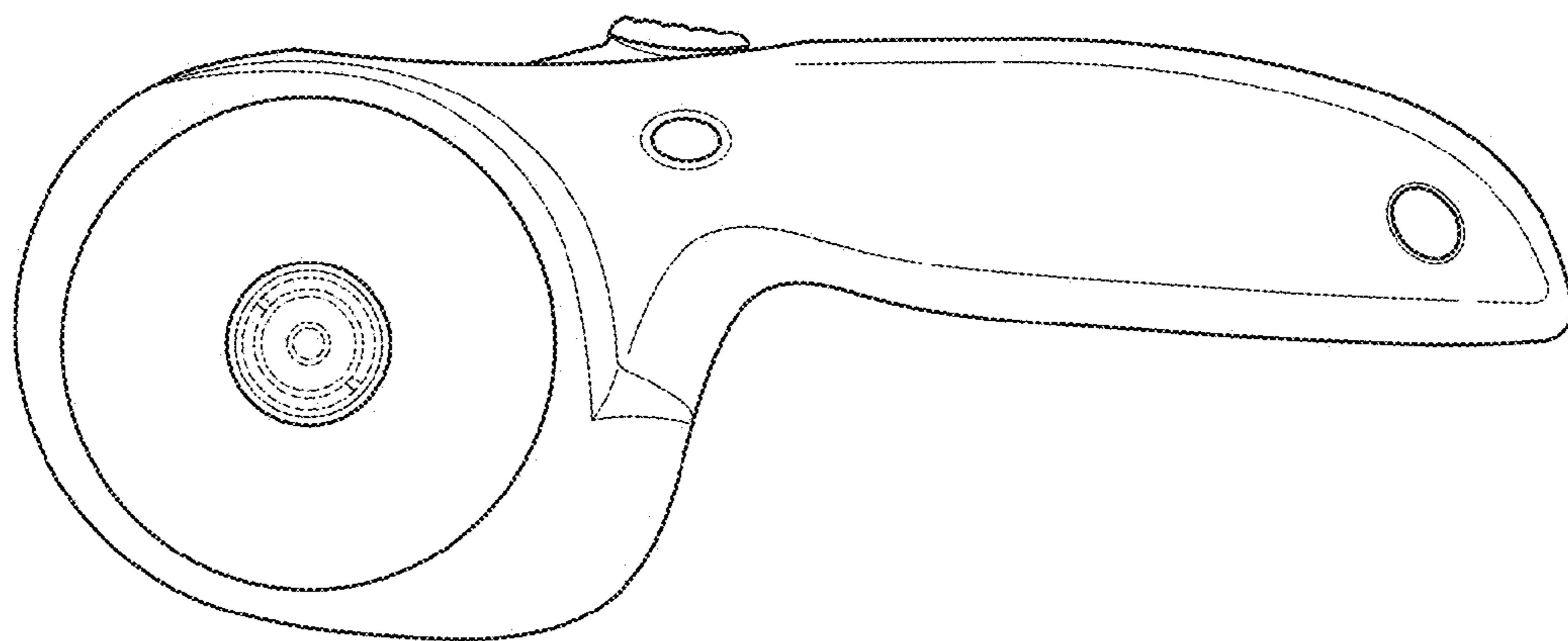


FIG. 2

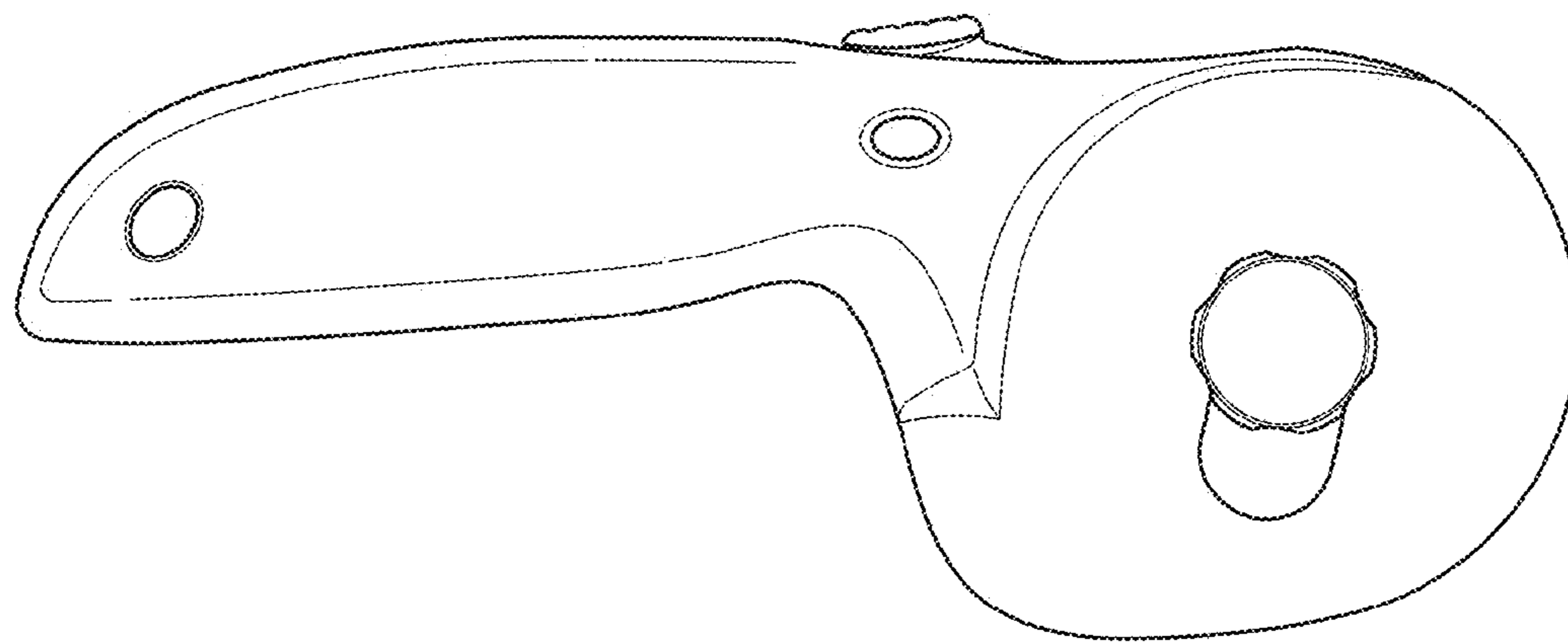


FIG. 3

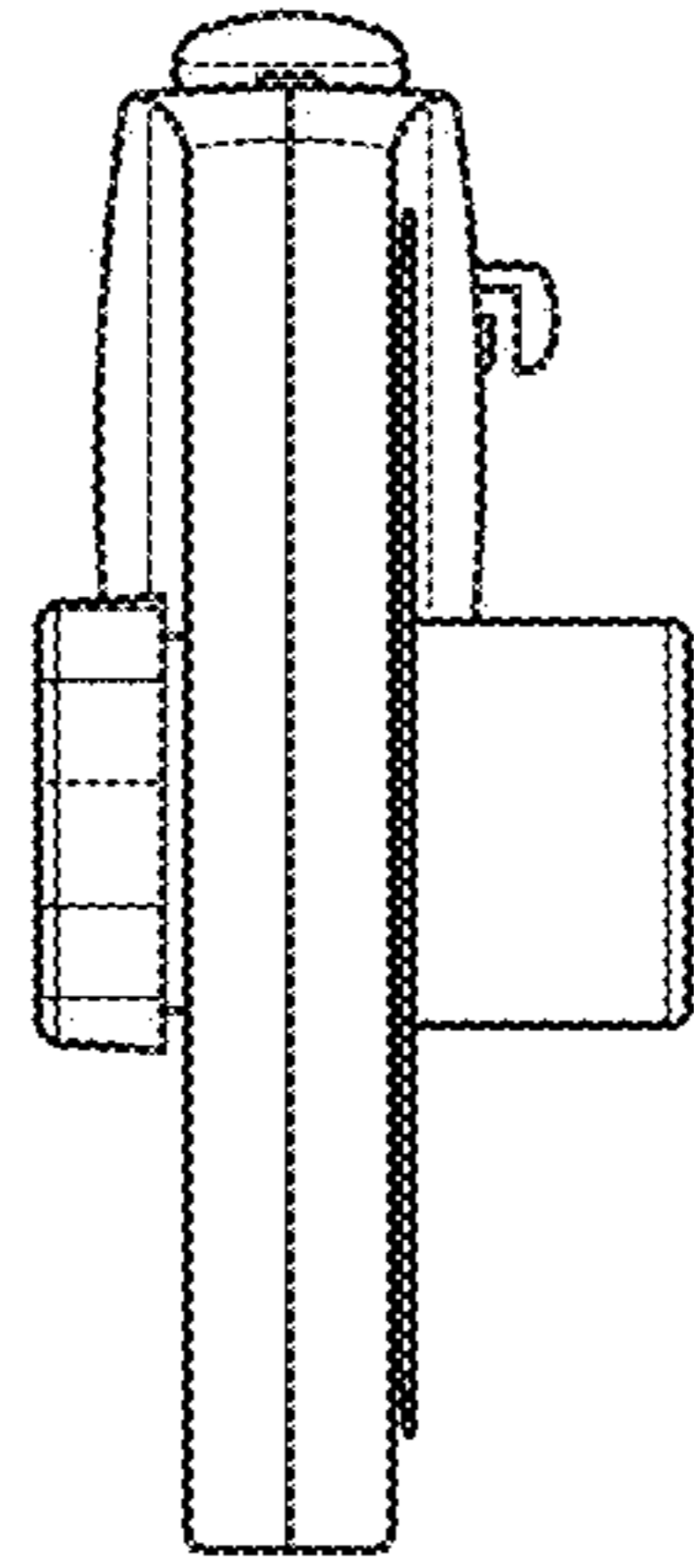


FIG. 4

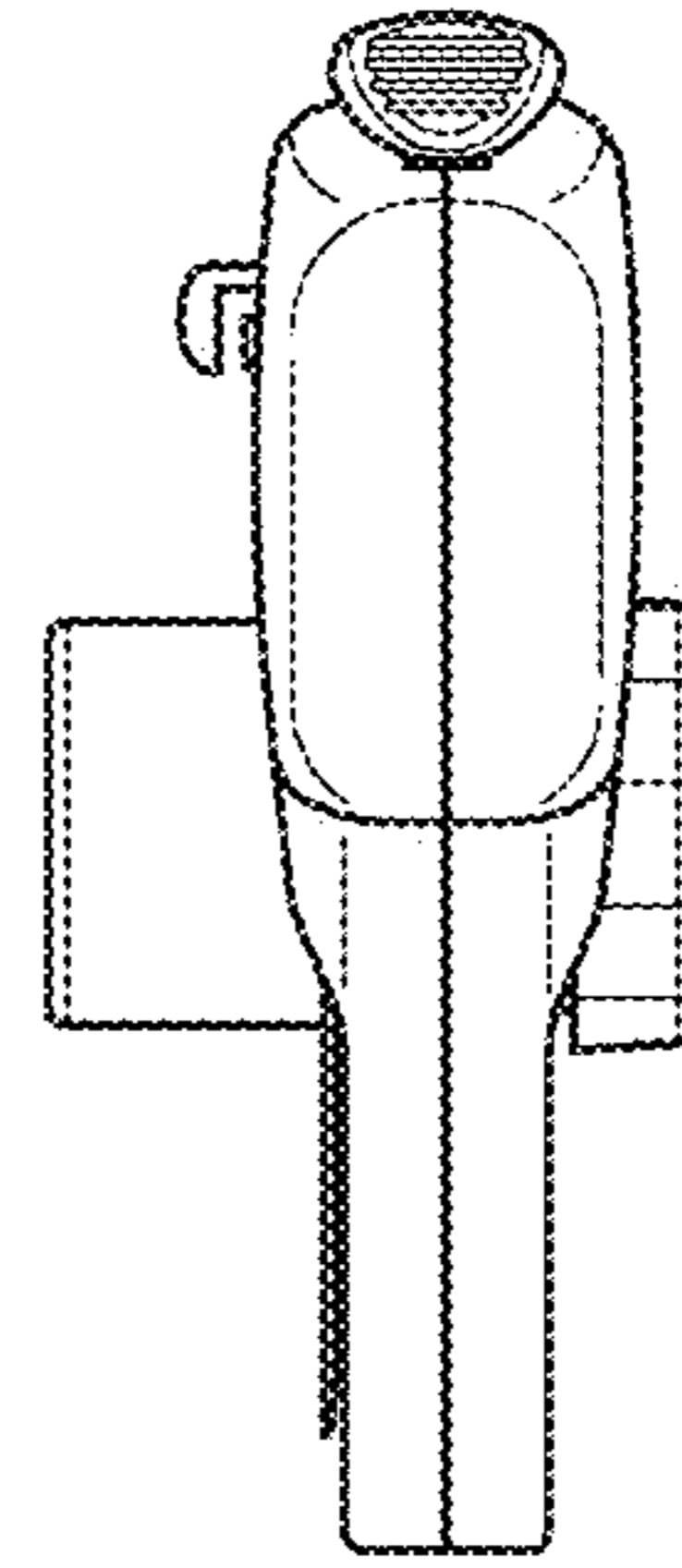


FIG. 5

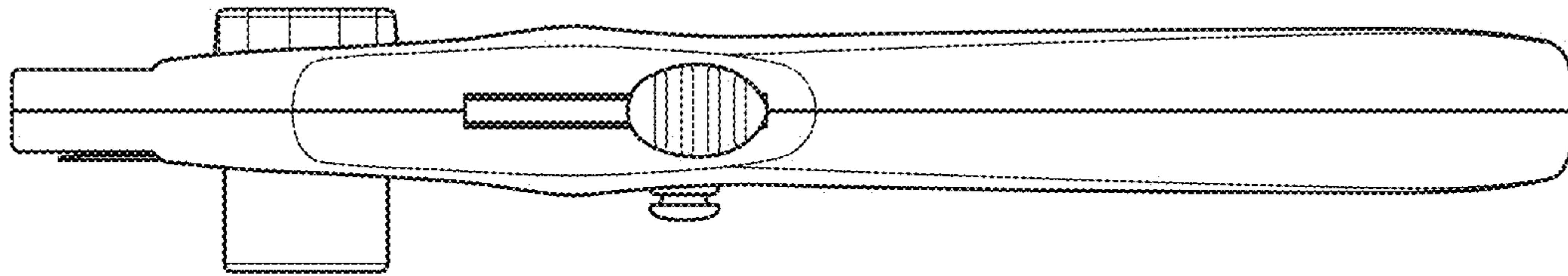


FIG. 6

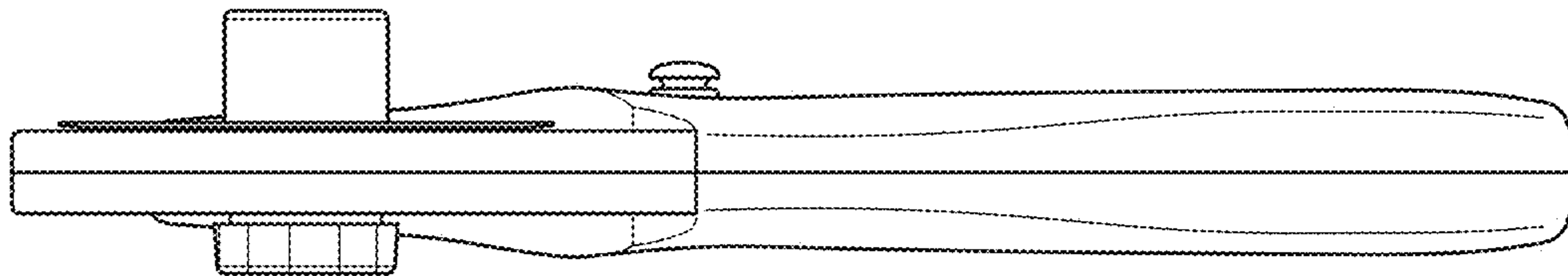


FIG. 7