

US00D752407S

(12) **United States Design Patent**  
**Johnson**

(10) **Patent No.:** **US D752,407 S**  
(45) **Date of Patent:** **\*\* Mar. 29, 2016**

- (54) **TOMAHAWK**
- (71) Applicant: **RMJ Tactical, LLC**, Chattanooga, TN (US)
- (72) Inventor: **Ryan M. Johnson**, Soddy-Daisy, TN (US)
- (73) Assignee: **RMJ Tactical, LLC**, Chattanooga, TN (US)
- (\*\*) Term: **14 Years**
- (21) Appl. No.: **29/486,381**
- (22) Filed: **Mar. 28, 2014**
- (51) **LOC (10) Cl.** ..... **08-02**
- (52) **U.S. Cl.**  
USPC ..... **D8/76**
- (58) **Field of Classification Search**  
USPC ..... D8/76-81; 7/145; 30/308.1; 144/195.5;  
76/103; D22/117  
CPC ..... A62B 3/005; B25F 1/00; B25F 1/006;  
B25F 1/02; B25G 1/04; B26B 23/00  
See application file for complete search history.

(56) **References Cited**

**U.S. PATENT DOCUMENTS**

58,438	A *	10/1866	Lowman	7/158
D33,137	S *	8/1900	Duffy	D8/76
D45,761	S *	5/1914	Miller	D8/76
D49,666	S *	9/1916	Kuzmiak	D8/76
D51,773	S *	2/1918	Burr	D8/78
D54,326	S *	12/1919	Marusak	D8/76
D67,749	S *	7/1925	Faust	D8/76
1,561,647	A *	11/1925	Johnson	7/158
1,643,861	A *	9/1927	Szakacs	30/308.1
D85,297	S *	10/1931	Meyers	D8/76
D120,609	S *	5/1940	Arnsbarger	D8/76
D140,329	S *	2/1945	Stoddard	D8/76
D203,575	S *	1/1966	Dobbs	D8/76
3,245,094	A *	4/1966	Shandel	7/145

D209,381	S *	11/1967	Reuterfors	D8/76
3,837,023	A *	9/1974	Spencer-Foote	7/145
D233,405	S *	10/1974	Frey	D8/76
3,882,560	A *	5/1975	Carrer	7/145
D243,314	S *	2/1977	Hedvall	D8/76
4,287,623	A *	9/1981	Tarran	7/158
D263,112	S *	2/1982	Ressel	D8/81
D289,887	S *	5/1987	Thomas	D8/75
D299,414	S *	1/1989	Bajza et al.	D8/105
D318,896	S *	8/1991	Crain	D22/117
D382,187	S *	8/1997	Hibben	D8/76
D402,874	S *	12/1998	Hall et al.	D8/76
6,397,420	B1 *	6/2002	Roxton	7/145
D518,343	S *	4/2006	Kelleghan	D8/38
D521,843	S *	5/2006	Hung	D8/78
D528,394	S *	9/2006	Lothe	D8/76
D593,833	S *	6/2009	Newhall et al.	D8/76
D604,136	S *	11/2009	Youngren et al.	D8/78

(Continued)

**OTHER PUBLICATIONS**

Kestrel Tomahawk. Downloaded Aug. 10, 2015 from <http://www.rmjtactical.com/kestrel-tomahawk/>.\*

*Primary Examiner* — Philip S Hyder

*Assistant Examiner* — Roselynn Cody

(74) *Attorney, Agent, or Firm* — Chambliss, Bahner & Stophel, P.C.

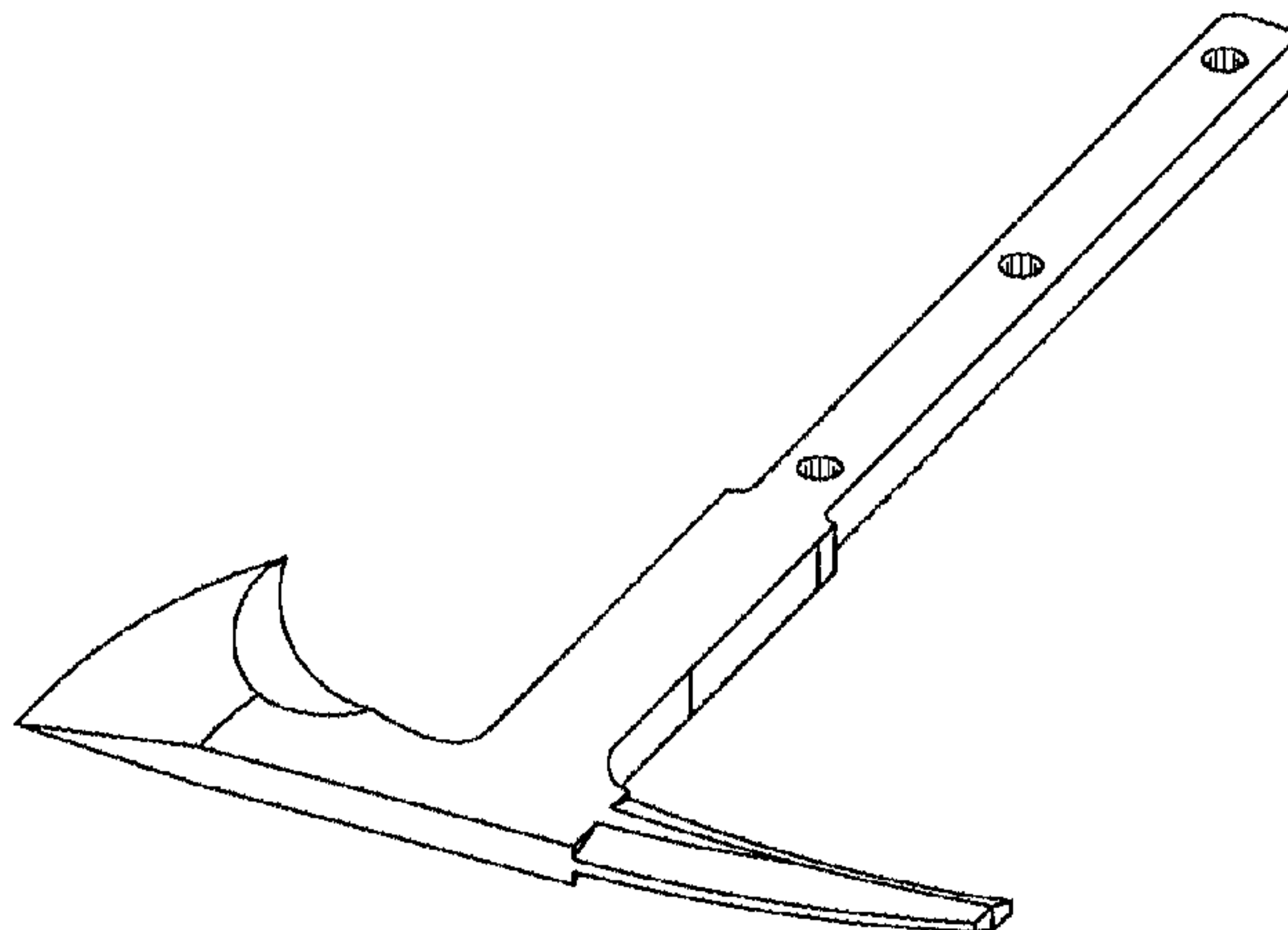
(57) **CLAIM**

The ornamental design for a tomahawk, as shown and described.

**DESCRIPTION**

FIG. 1 is a front view of the tomahawk.  
 FIG. 2 is a back view of the tomahawk.  
 FIG. 3 is a right side view of the tomahawk.  
 FIG. 4 is a left side view of the tomahawk.  
 FIG. 5 is a top view of the tomahawk.  
 FIG. 6 is a bottom view of the tomahawk; and,  
 FIG. 7 is a perspective view of the tomahawk.

**1 Claim, 3 Drawing Sheets**



(56)

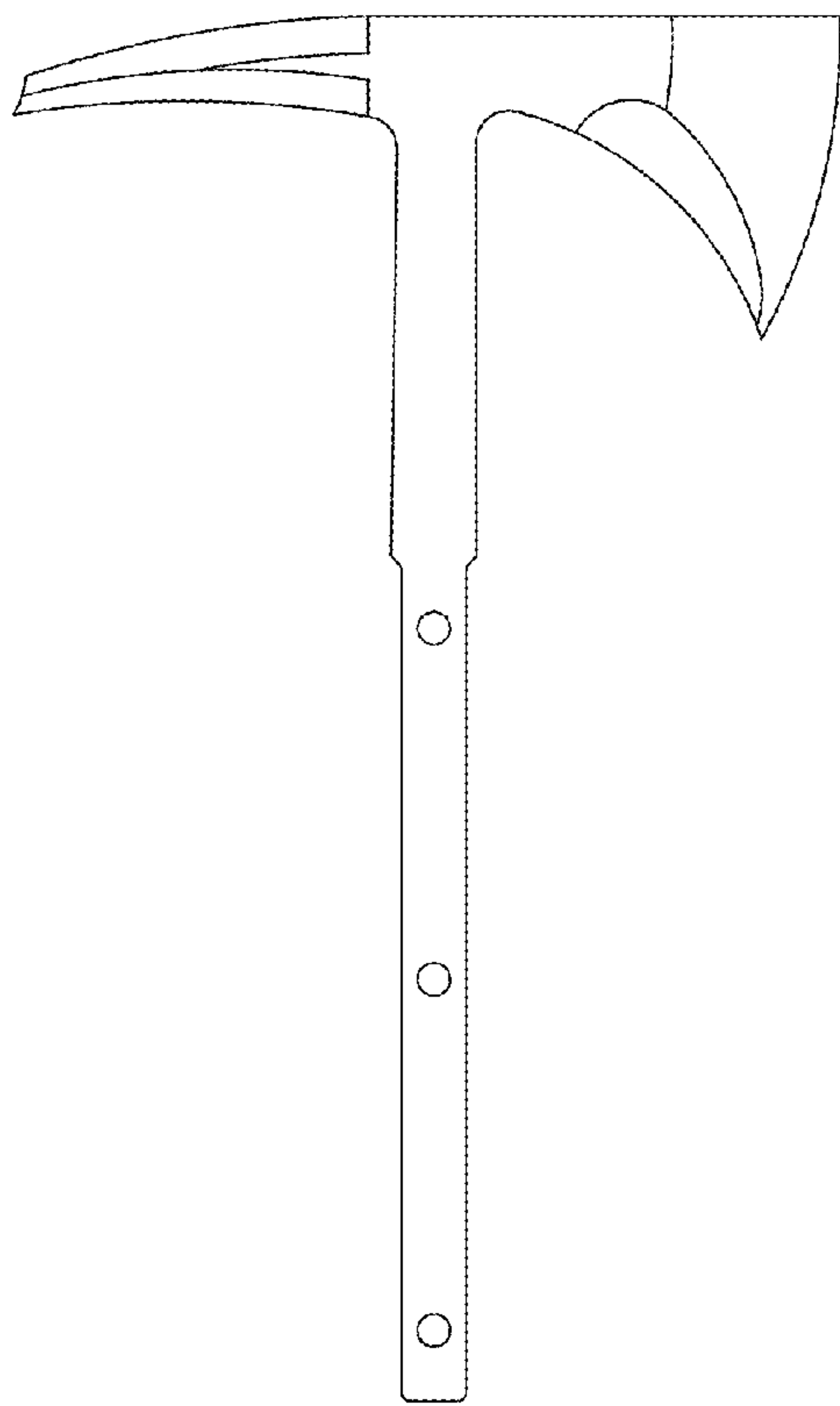
**References Cited**

U.S. PATENT DOCUMENTS

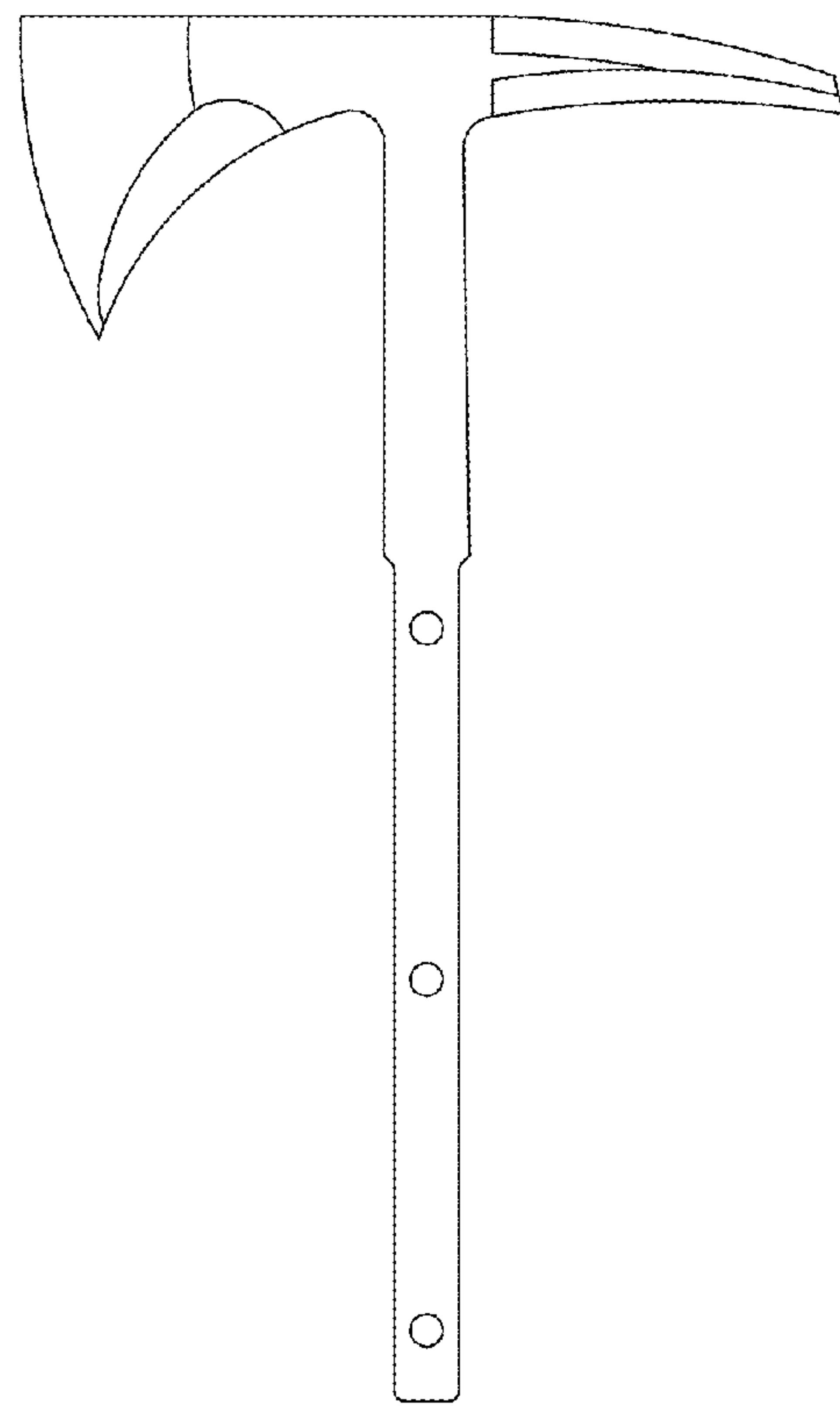
D608,615 S \* 1/2010 Knight ..... D8/76  
8,113,094 B1 \* 2/2012 Brackbill et al. .... 81/138  
D688,348 S \* 8/2013 Christenson ..... D22/117

D705,621 S \* 5/2014 Tygh ..... D8/19  
D718,407 S \* 11/2014 Lloyd ..... D22/117  
9,021,642 B1 \* 5/2015 Fox ..... 7/145  
2004/0261188 A1 \* 12/2004 Mathis ..... 7/145  
2006/0075572 A1 \* 4/2006 Young ..... 7/138

\* cited by examiner



*FIGURE 1*



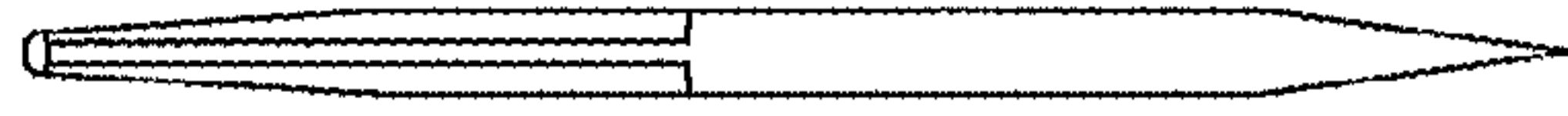
*FIGURE 2*



*FIGURE 3*



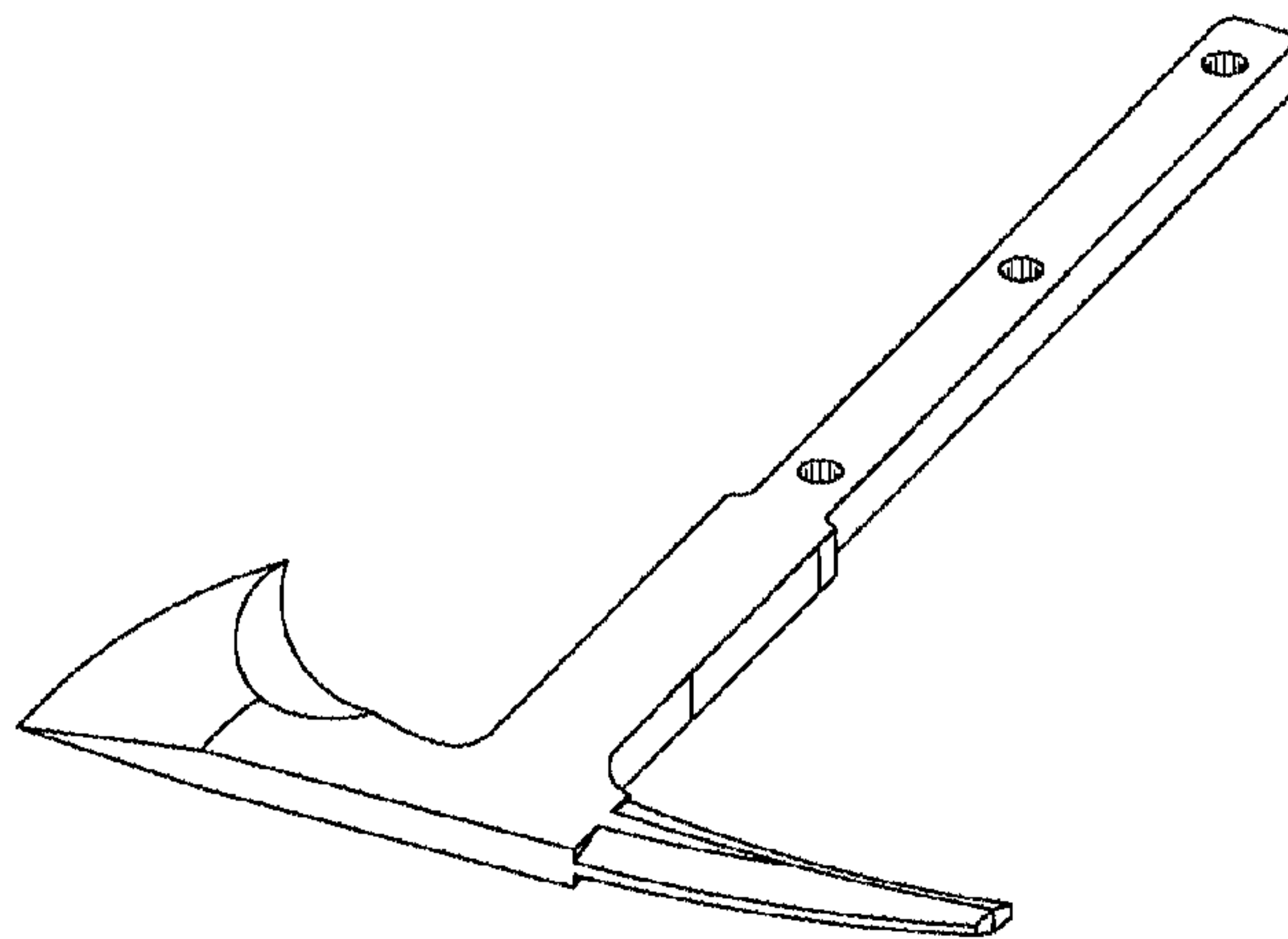
*FIGURE 4*



*FIGURE 5*



*FIGURE 6*



*FIGURE 7*