



US00D752406S

(12) **United States Design Patent**
Kanda

(10) **Patent No.:** **US D752,406 S**
(45) **Date of Patent:** **** Mar. 29, 2016**

(54) **PORTABLE ELECTRIC POWER SAW**
(71) Applicant: **Hitachi Koki Co., Ltd.**, Minato-Ku,
Tokyo (JP)
(72) Inventor: **Ibuki Kanda**, Hitachinaka (JP)
(73) Assignee: **Hitachi Koki Co., Ltd.**, Minato-Ku,
Tokyo (JP)
(**) Term: **14 Years**
(21) Appl. No.: **29/519,677**
(22) Filed: **Mar. 6, 2015**

D534,778 S * 1/2007 Chu D8/64
7,168,169 B2 * 1/2007 Moreno B23D 51/16
173/114
D545,657 S * 7/2007 Yamamoto D8/64
D551,046 S * 9/2007 Yamamoto D8/64
D551,930 S * 10/2007 Yamada D8/64
D558,018 S * 12/2007 McRoberts D8/64
D591,574 S * 5/2009 DiPasquale D8/64
D596,005 S * 7/2009 Schoch D8/64
8,166,660 B2 * 5/2012 Zhou B23D 49/167
30/392
8,307,910 B2 * 11/2012 Holmes B23D 49/165
173/19
D685,242 S * 7/2013 Vitantonio D8/64
D688,928 S * 9/2013 Busschaert D8/64
D705,028 S * 5/2014 Vitantonio D8/64
D705,627 S * 5/2014 Schoch D8/64

* cited by examiner

(30) **Foreign Application Priority Data**
Sep. 5, 2014 (JP) 2014-019706
(51) **LOC (10) Cl.** **08-03**
(52) **U.S. Cl.**
USPC **D8/64**
(58) **Field of Classification Search**
USPC D8/69, 68, 67, 66, 65, 64, 62, 61;
30/92, 394, 393, 392, 377, 376, 371;
74/50, 49; 173/217, 216; 83/699.21;
446/145
CPC B26B 7/00; B23D 51/16; B23D 51/10;
B25F 5/02; B62B 7/00
See application file for complete search history.

Primary Examiner — Austin Murphy
(74) *Attorney, Agent, or Firm* — Banner & Witcoff, Ltd.

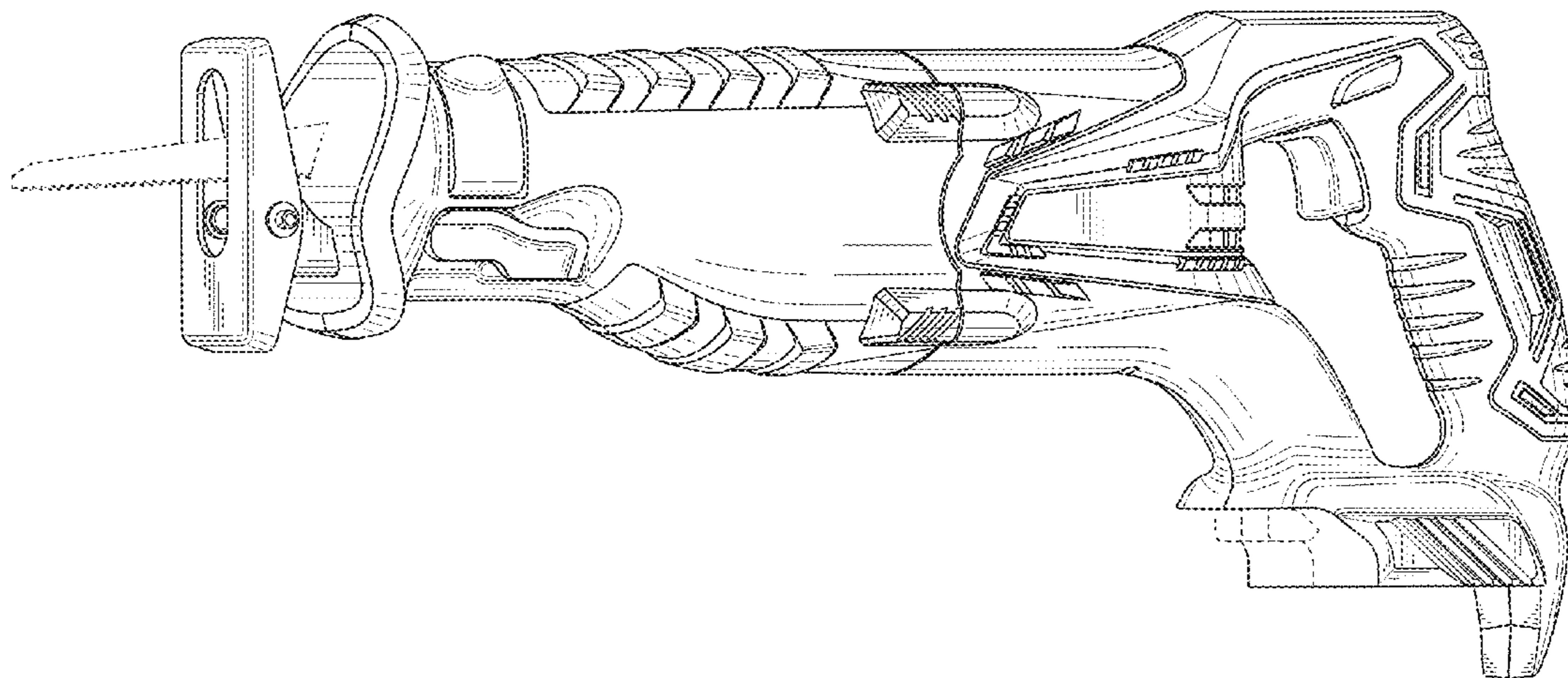
(57) **CLAIM**
The ornamental design for a portable electric power saw, as shown and described.

DESCRIPTION

FIG. 1 is a front, left, upper perspective view of a portable electric power saw showing my new design;
FIG. 2 is a front view thereof;
FIG. 3 is a rear view thereof;
FIG. 4 is a right side view thereof;
FIG. 5 is a left side view thereof;
FIG. 6 is a top plan view thereof; and,
FIG. 7 is a bottom view thereof.

(56) **References Cited**
U.S. PATENT DOCUMENTS
D527,596 S * 9/2006 Andriolo D8/64
D527,597 S * 9/2006 Andriolo D8/64

1 Claim, 5 Drawing Sheets



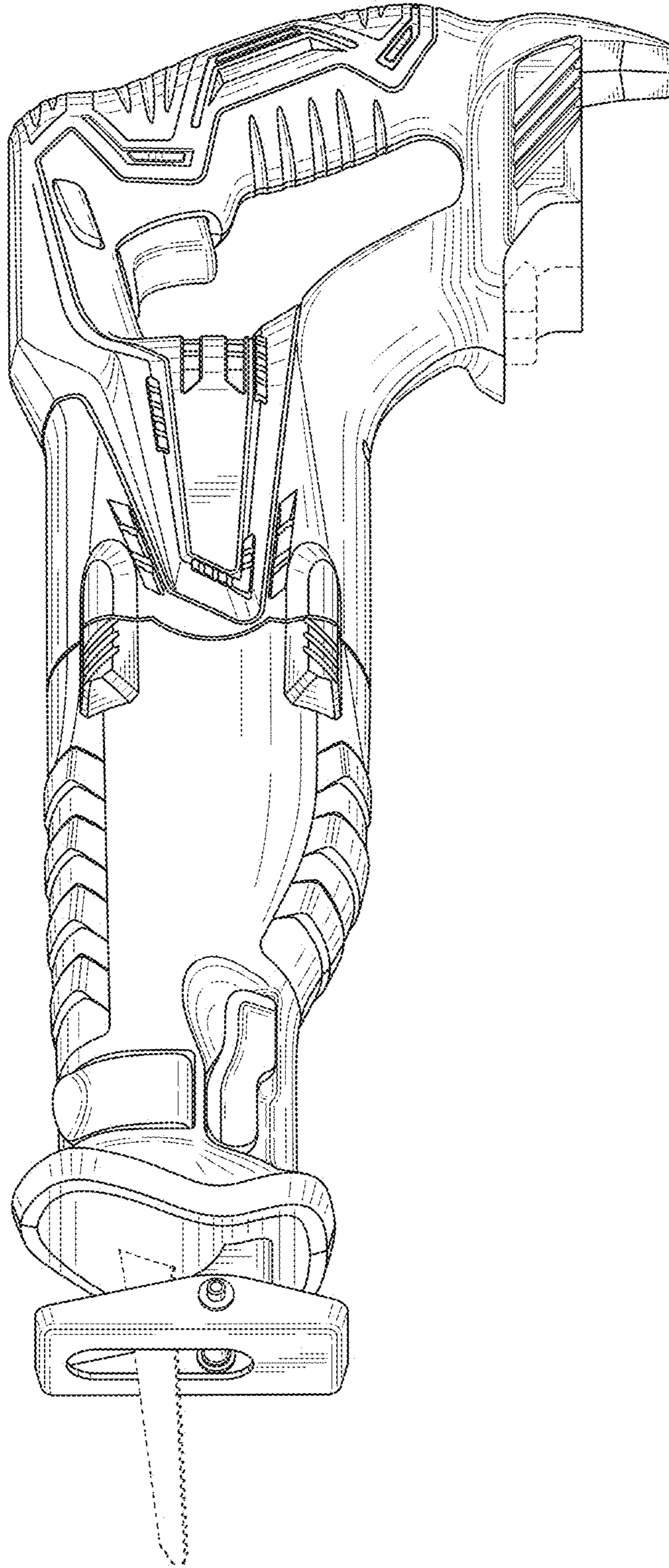


FIG. 1

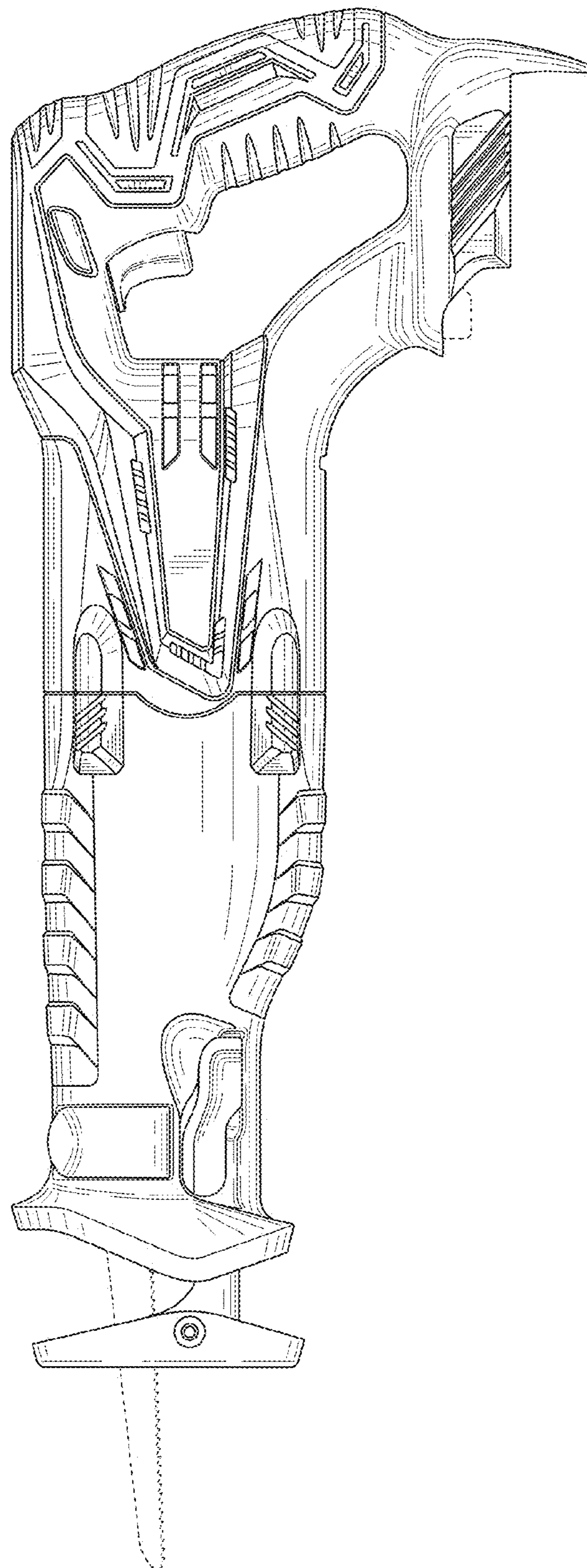


FIG. 2

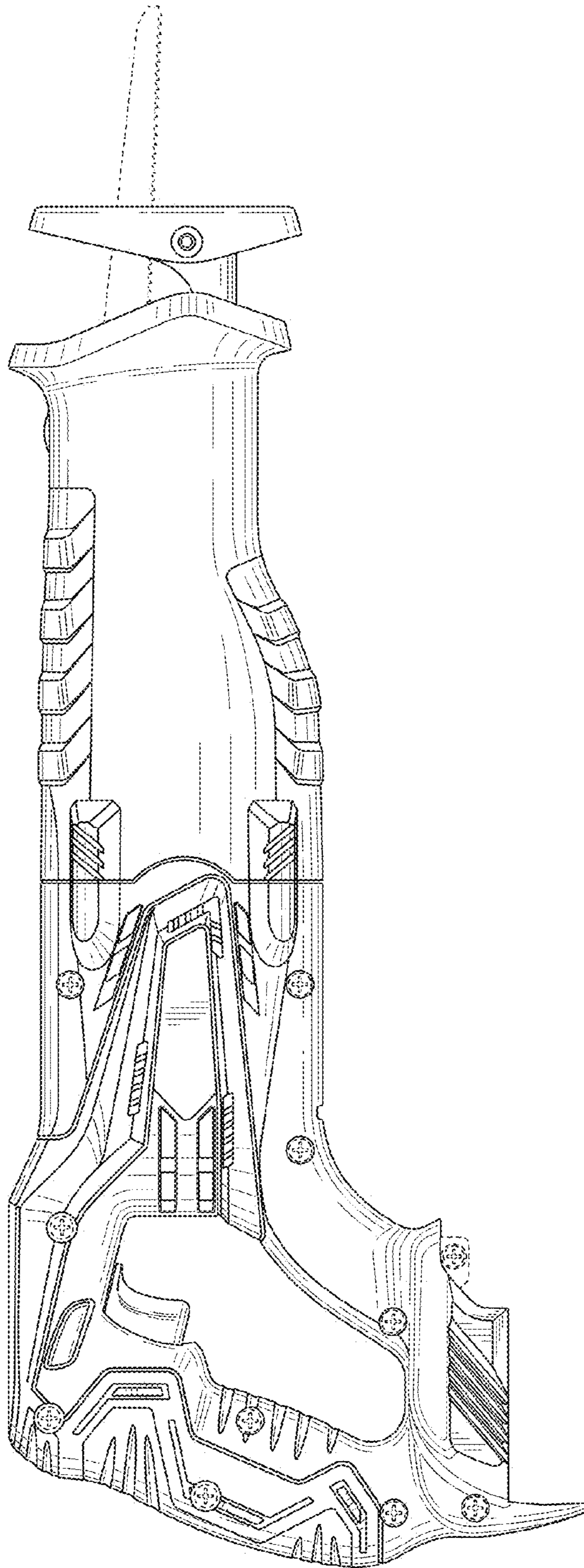


FIG. 3

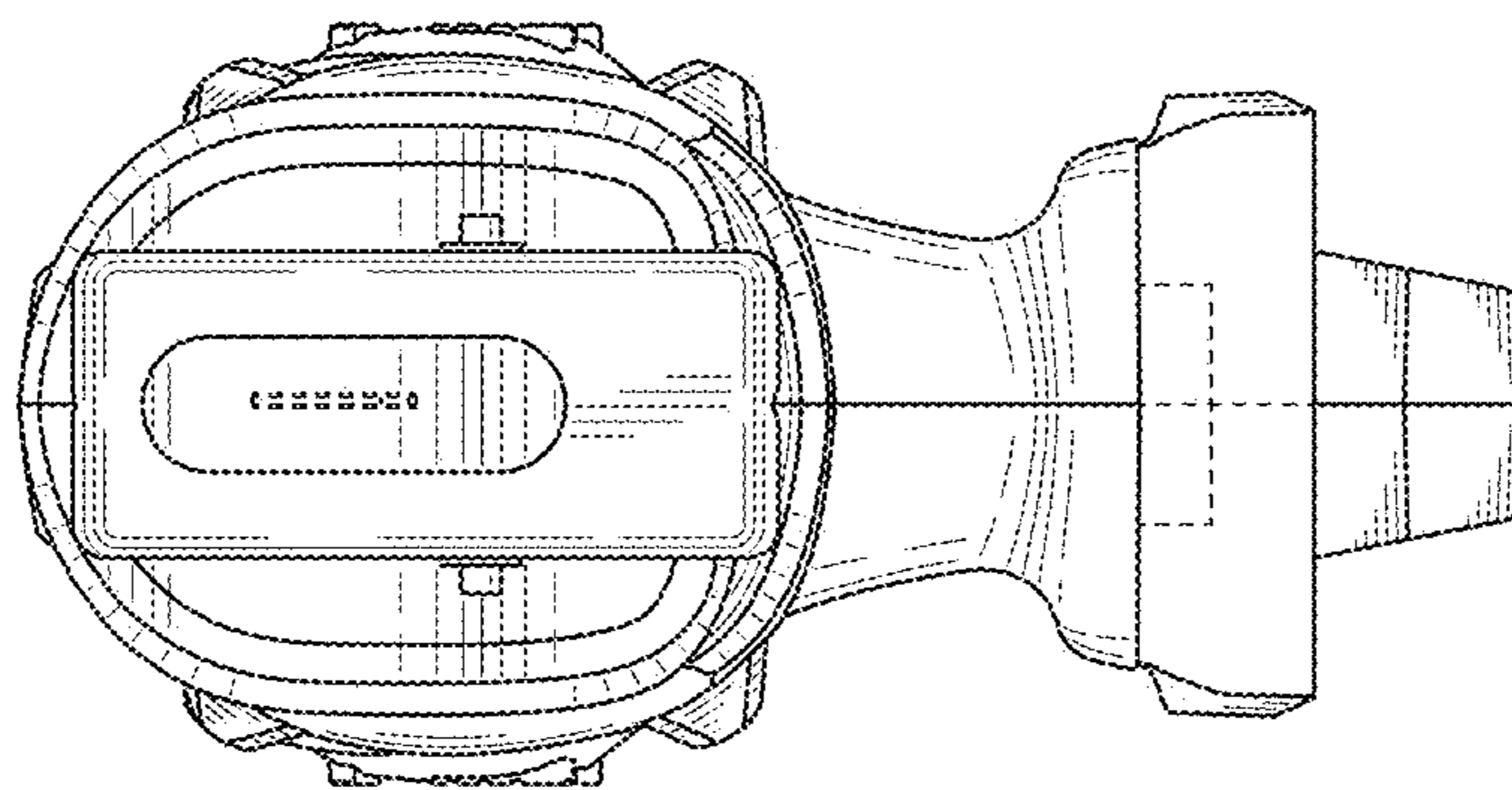


FIG. 4

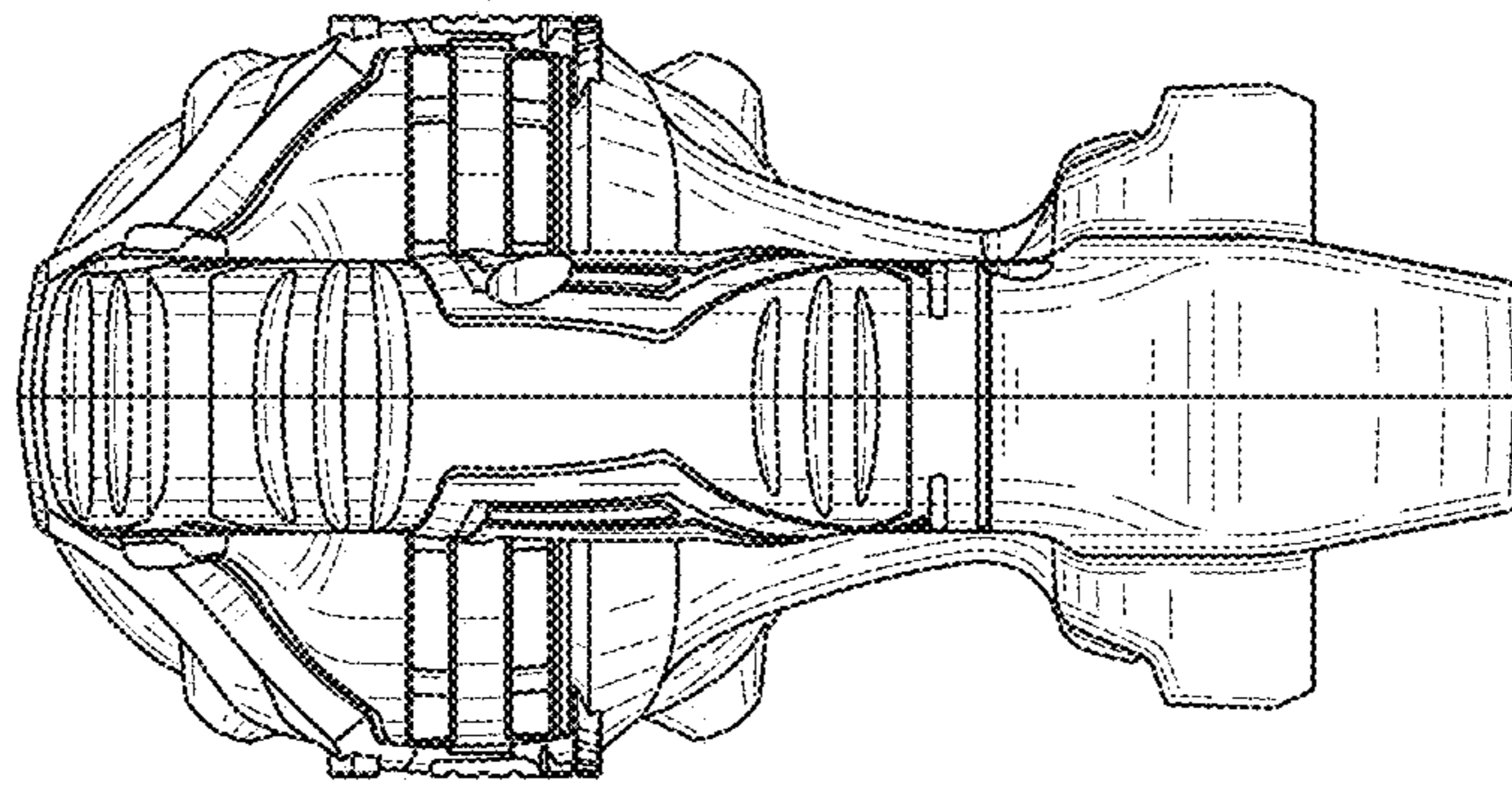


FIG. 5

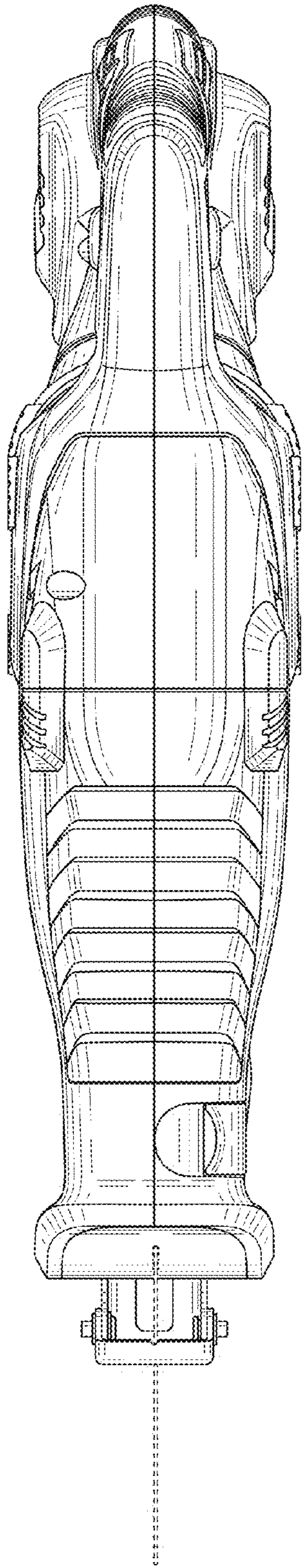


FIG. 6

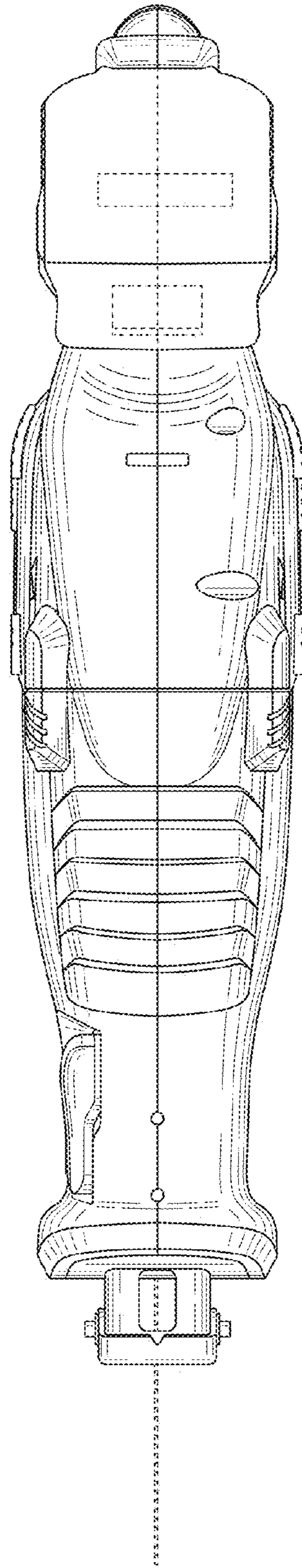


FIG. 7