

US00D752405S

(12) **United States Design Patent**
Ishikawa

(10) **Patent No.:** **US D752,405 S**
(45) **Date of Patent:** **** Mar. 29, 2016**

- (54) **JIG SAW**
- (71) Applicant: **Hitachi Koki Co., Ltd.**, Minato-Ku,
Tokyo (JP)
- (72) Inventor: **Megumi Ishikawa**, Hitachinaka (JP)
- (73) Assignee: **Hitachi Koki Co., Ltd.**, Minato-Ku,
Tokyo (JP)
- (**) Term: **14 Years**
- (21) Appl. No.: **29/519,666**
- (22) Filed: **Mar. 6, 2015**
- (30) **Foreign Application Priority Data**
Sep. 5, 2014 (JP) 2014-019704
- (51) **LOC (10) Cl.** **08-03**
- (52) **U.S. Cl.**
USPC **D8/64**
- (58) **Field of Classification Search**
USPC D8/69, 68, 67, 66, 64, 61; 83/747,
83/699.21; 310/50; 30/394, 393, 392, 391,
30/390, 377, 376; 173/216, 217
CPC B27B 19/09; B23D 49/162; B23D 49/165;
B23D 49/167; B25F 5/02
See application file for complete search history.

D532,664 S *	11/2006	Wu	D8/64
D559,642 S *	1/2008	Taniguchi	D8/64
D560,455 S *	1/2008	Yamamoto	D8/64
D560,989 S *	2/2008	Yamamoto	D8/64
D562,096 S *	2/2008	Taniguchi	D8/64
D572,555 S *	7/2008	Baumgaertner	D8/64
D573,858 S *	7/2008	Van Wambeke	D8/64
D574,687 S *	8/2008	Van Wambeke	D8/64
D578,366 S *	10/2008	Van Wambeke	D8/64
D581,760 S *	12/2008	Van Wambeke	D8/64
D581,761 S *	12/2008	Van Wambeke	D8/64
D584,589 S *	1/2009	Van Wambeke	D8/64
D592,924 S *	5/2009	Van Wambeke	D8/64
D599,183 S *	9/2009	Bradford	D8/64
D634,171 S *	3/2011	Hayakawa	D8/64
D639,630 S *	6/2011	Kawase	D8/64
D647,379 S *	10/2011	Aoyama	D8/64
D664,412 S *	7/2012	Aglassinger	D8/64
D671,386 S *	11/2012	Ni	D8/64
D675,077 S *	1/2013	Tirone	D8/64

* cited by examiner

Primary Examiner — Austin Murphy
(74) *Attorney, Agent, or Firm* — Banner & Witcoff, Ltd.

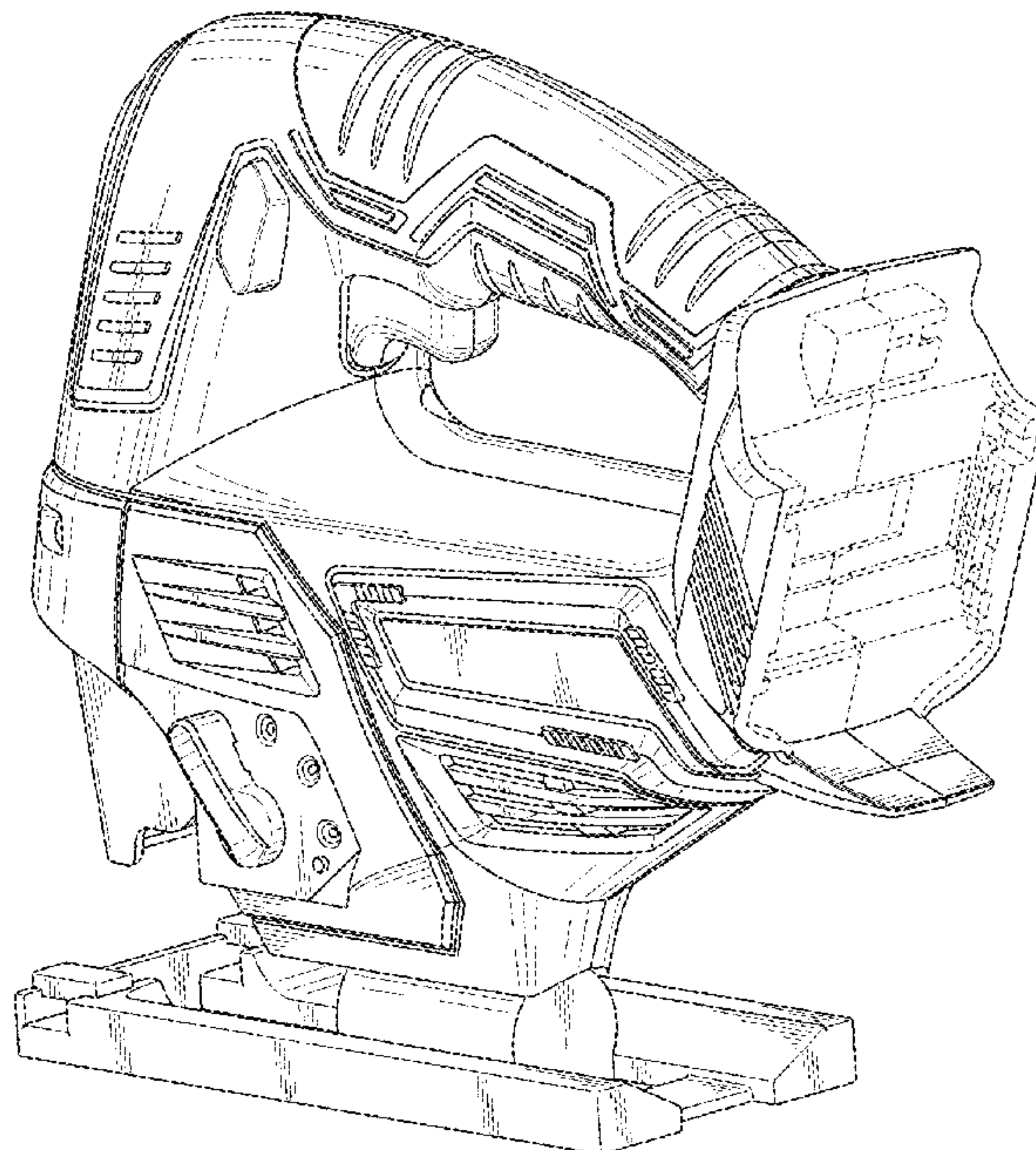
(57) **CLAIM**
The ornamental design for a jig saw, as shown and described.

DESCRIPTION

FIG. 1 is a front, right, upper perspective view of a jig saw showing my new design;
FIG. 2 is a front view thereof;
FIG. 3 is a rear view thereof;
FIG. 4 is a left side view thereof;
FIG. 5 is a right side view thereof;
FIG. 6 is a top plan view thereof; and,
FIG. 7 is a bottom view thereof.

1 Claim, 5 Drawing Sheets

- (56) **References Cited**
U.S. PATENT DOCUMENTS
D525,097 S * 7/2006 Tsang D8/64
D525,844 S * 8/2006 Netzler D8/64
D527,968 S * 9/2006 Netzler D8/64
D530,174 S * 10/2006 Aglassinger D8/64



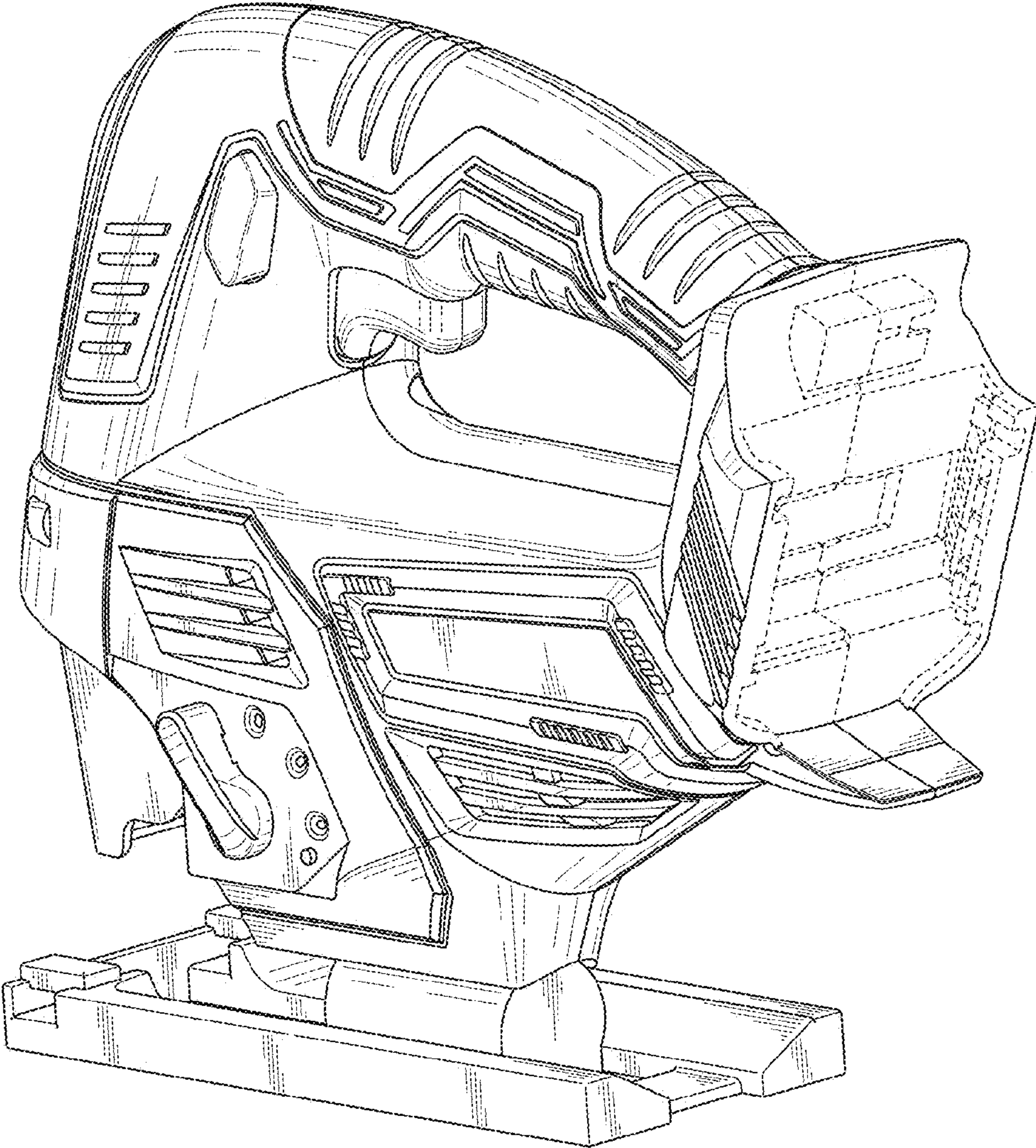


FIG. 1

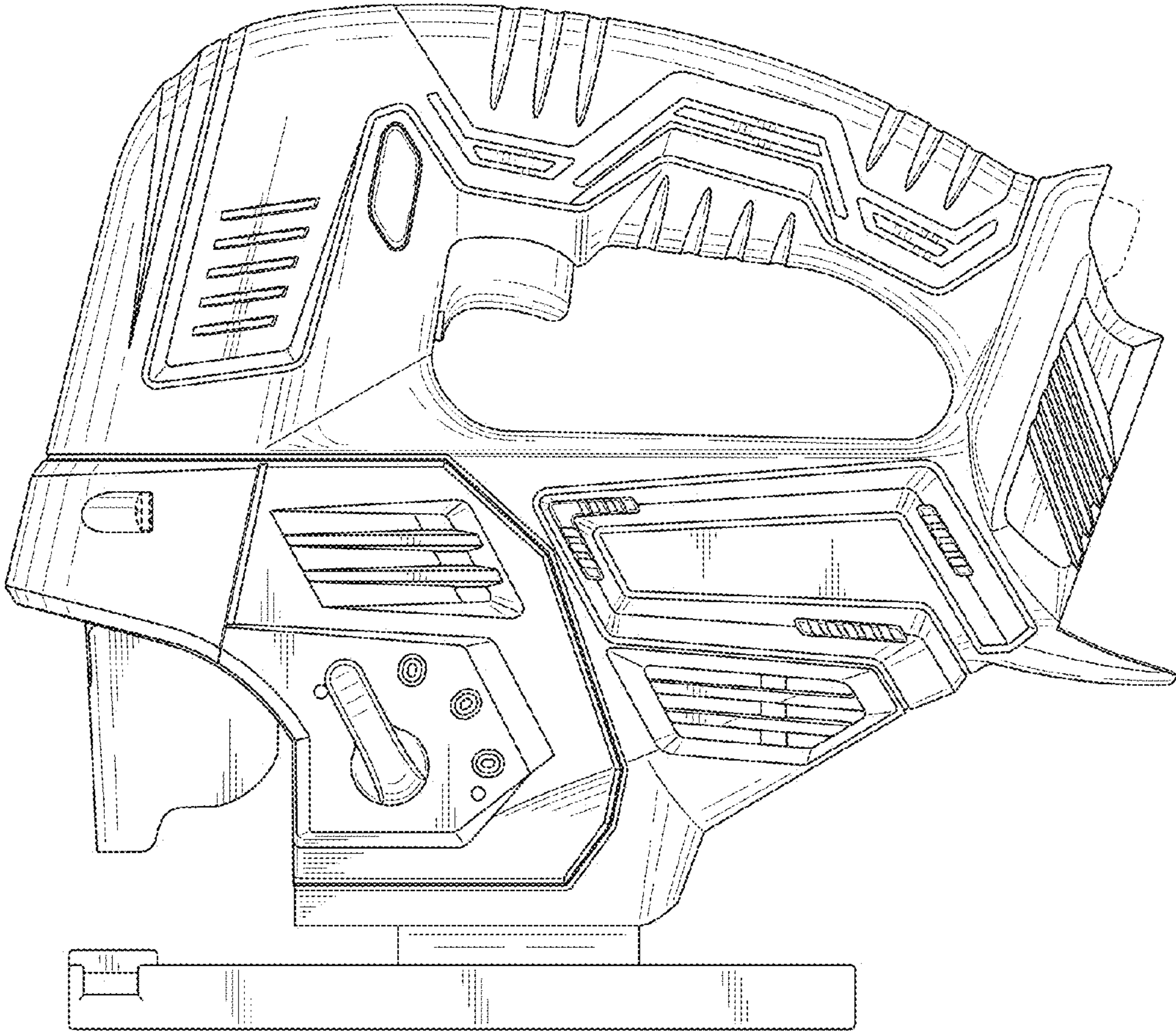


FIG. 2

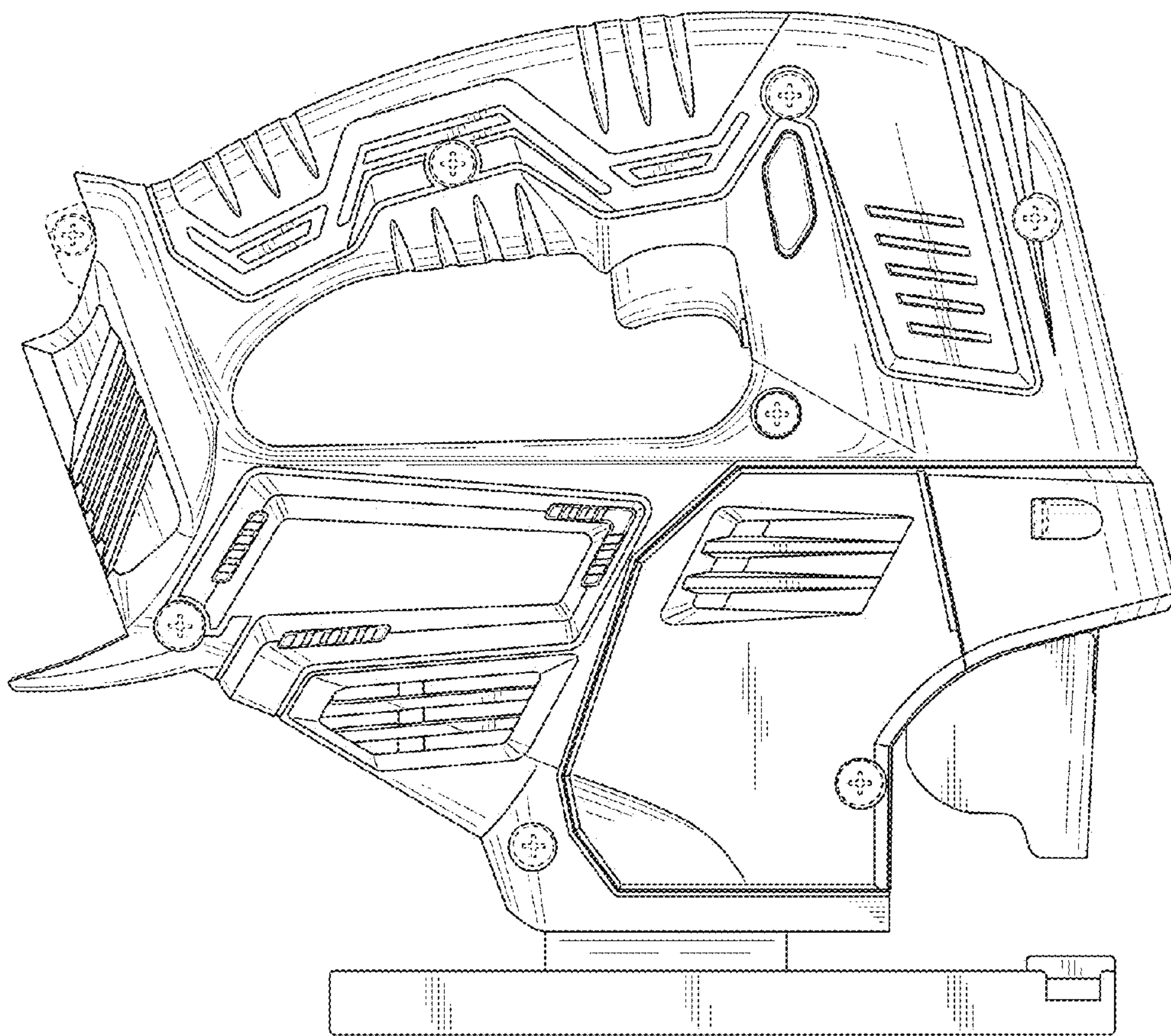


FIG. 3

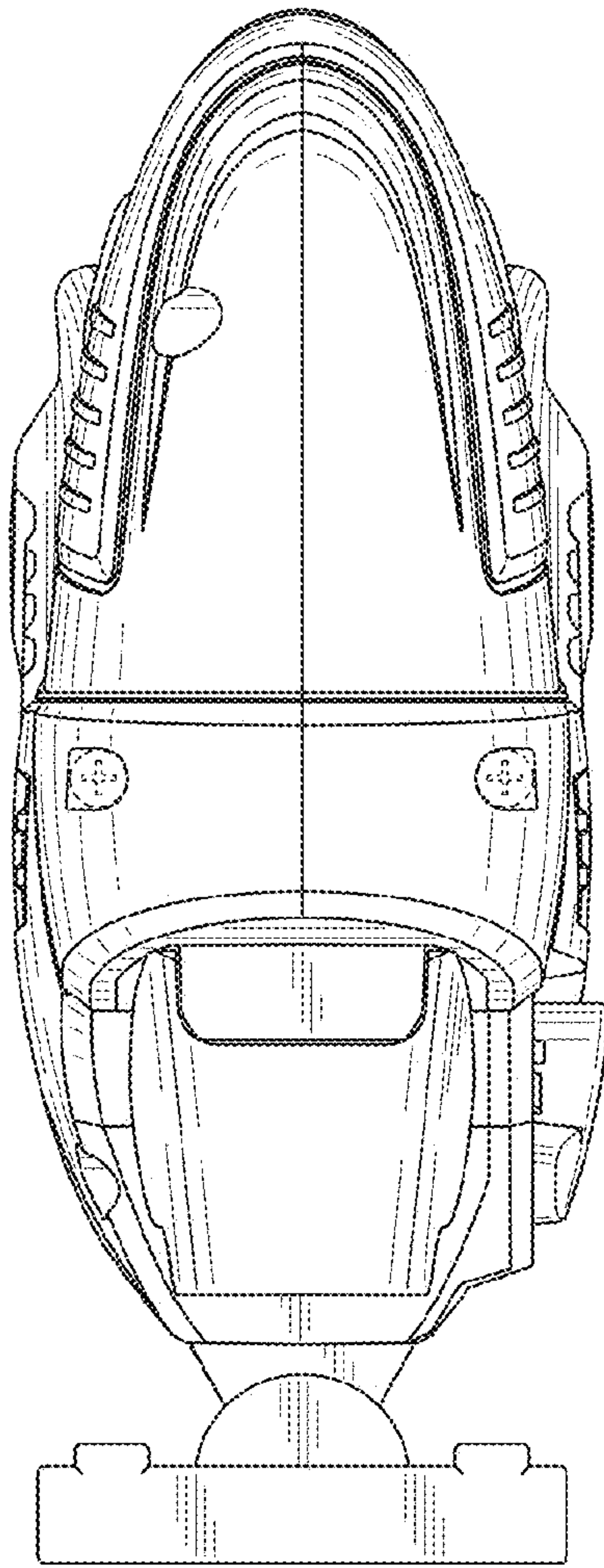


FIG. 4

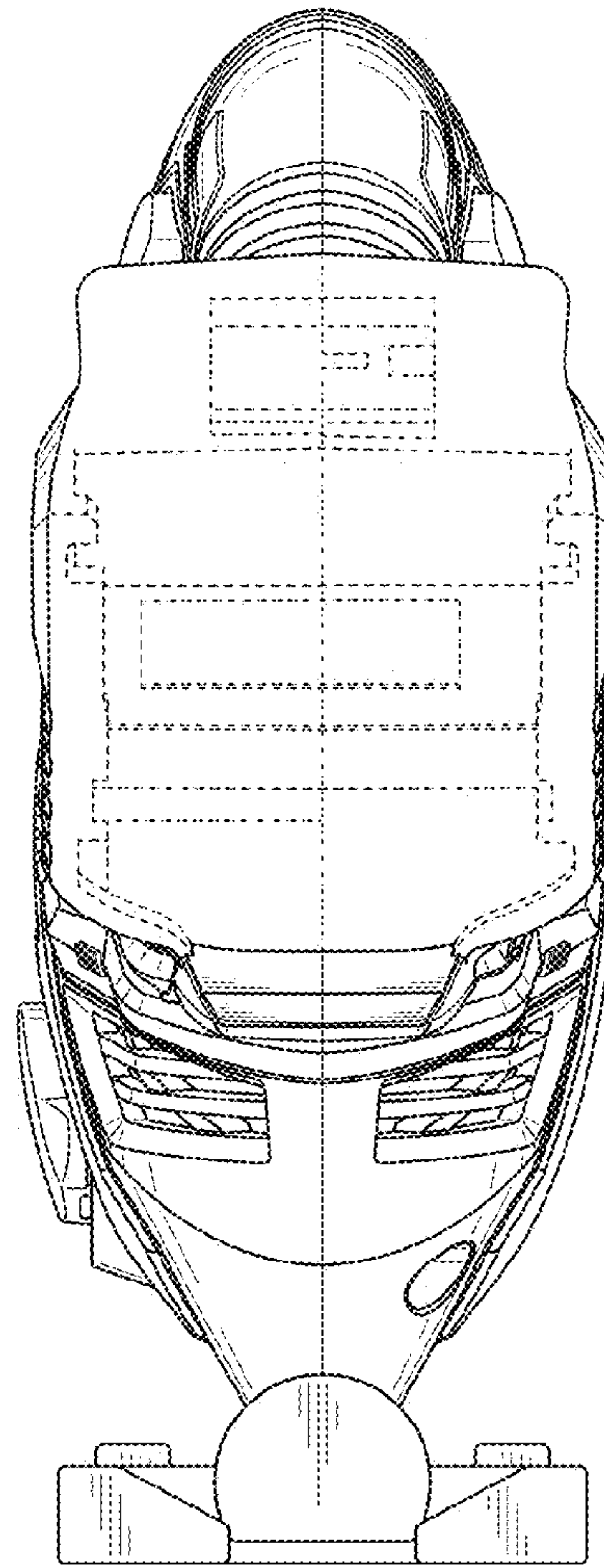


FIG. 5

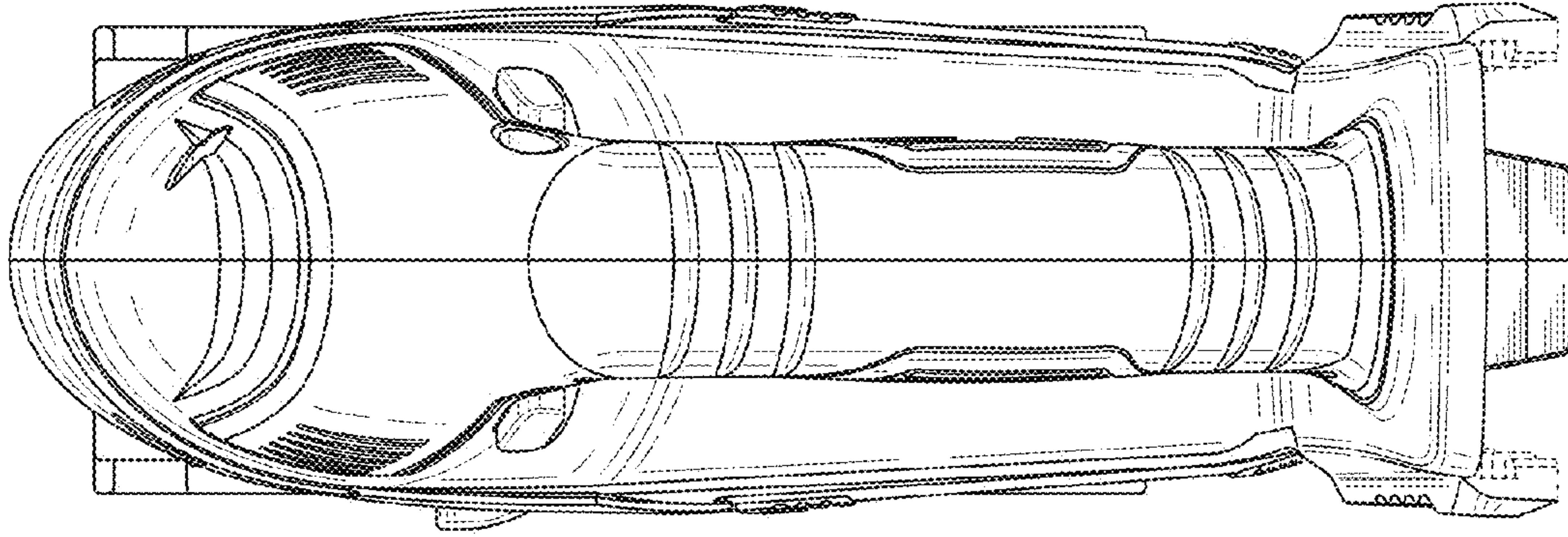


FIG. 6

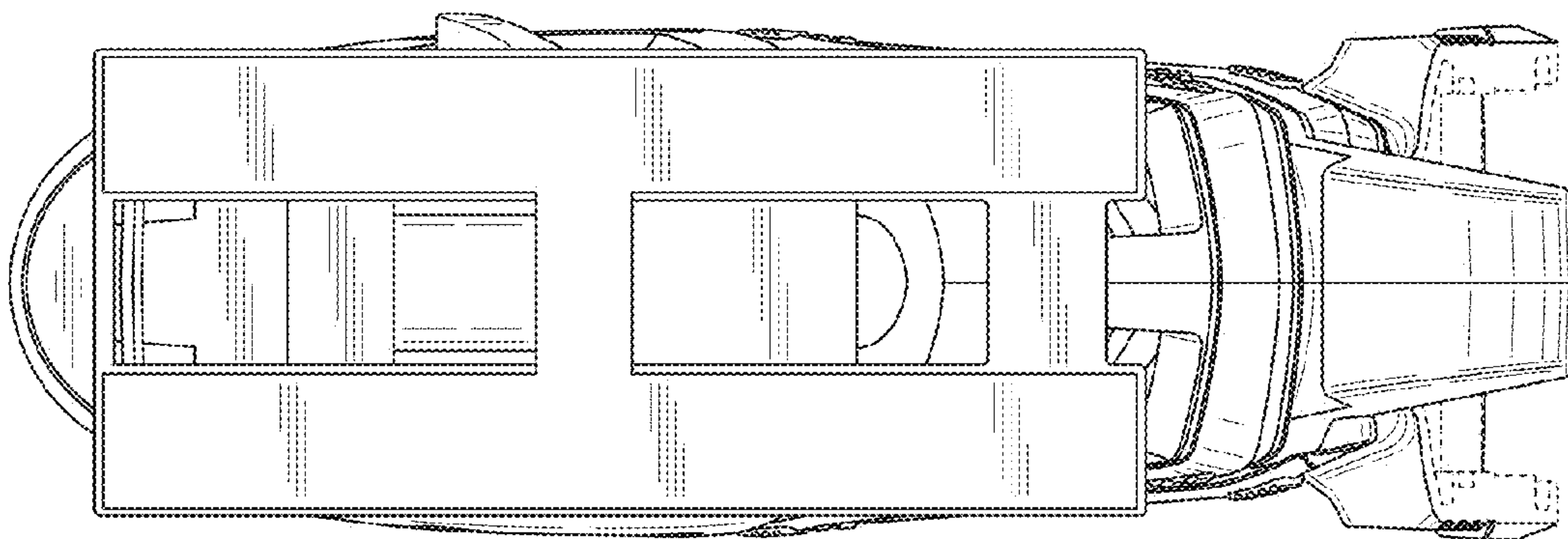


FIG. 7