



US00D752402S

(12) **United States Design Patent**  
**Goldy et al.**

(10) **Patent No.:** **US D752,402 S**  
(45) **Date of Patent:** **\*\* Mar. 29, 2016**

- (54) **RATCHETING SOCKET SET**
- (71) Applicant: **Trend Right Research And Development Corporation**, New York, NY (US)
- (72) Inventors: **Robert Goldy**, New York, NY (US);  
**Edwin Chan**, Brooklyn, NY (US)
- (73) Assignee: **Trend Right Research And Development Corporation**, New York, NY (US)
- (\*\*) Term: **15 Years**
- (21) Appl. No.: **29/539,804**
- (22) Filed: **Sep. 17, 2015**

D270,227	S	*	8/1983	Roth et al.	.....	D8/25
D338,386	S	*	8/1993	Frazer	.....	D8/105
D458,822	S	*	6/2002	Peperkorn et al.	.....	D8/52
6,431,034	B1	*	8/2002	Chen	.....	81/177.4
D514,063	S	*	1/2006	Rubin et al.	.....	D13/108
D555,455	S	*	11/2007	Cheng	.....	D8/105
D588,885	S	*	3/2009	Barber et al.	.....	D8/22
D607,299	S	*	1/2010	Albertson	.....	D8/105
D660,125	S	*	5/2012	Seeds et al.	.....	D8/105
2004/0188366	A1	*	9/2004	Tong	.....	211/70.6

\* cited by examiner

*Primary Examiner* — Randall Gholson

(74) *Attorney, Agent, or Firm* — Dinsmore & Shohl LLP

**Related U.S. Application Data**

- (63) Continuation of application No. 29/480,864, filed on Jan. 30, 2014, now abandoned.
- (51) **LOC (10) Cl.** ..... **08-05**
- (52) **U.S. Cl.**  
USPC ..... **D8/26; D8/25; D8/22**
- (58) **Field of Classification Search**  
USPC ..... D8/21–29, 82, 83, 88, 89; 81/60, 177.1, 81/177.85, 121.1, 124.3, 165–170, 110.1, 81/176.2, 124.6, 176.1, 176.15, 177.2, 81/133, 157, 173  
CPC ..... B25B 13/00; B25B 13/10; B25B 13/12  
See application file for complete search history.

**References Cited**

**U.S. PATENT DOCUMENTS**

- 4,302,990 A \* 12/1981 Chrichton et al. .... 81/60
- 4,352,307 A \* 10/1982 Martinmaas ..... 81/177.4

(57) **CLAIM**

The ornamental design for a ratcheting socket set, as shown and described.

**DESCRIPTION**

FIG. 1 is a perspective view of a ratcheting socket set of the present design;

FIG. 2 is a front elevation view of the ratcheting socket set of FIG. 1;

FIG. 3 is a rear elevation view of the ratcheting socket set of FIG. 1;

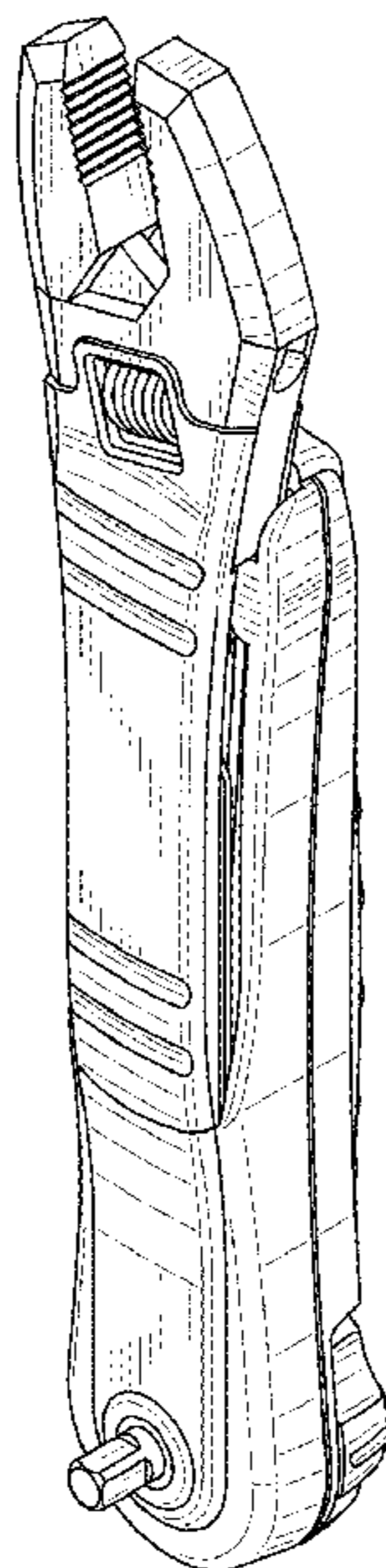
FIG. 4 is a right elevation view of the ratcheting socket set of FIG. 1;

FIG. 5 is a left elevation view of the ratcheting socket set of FIG. 1;

FIG. 6 is a top view of the ratcheting socket set of FIG. 1; and,

FIG. 7 is a bottom view of the ratcheting socket set of FIG. 1.

**1 Claim, 6 Drawing Sheets**



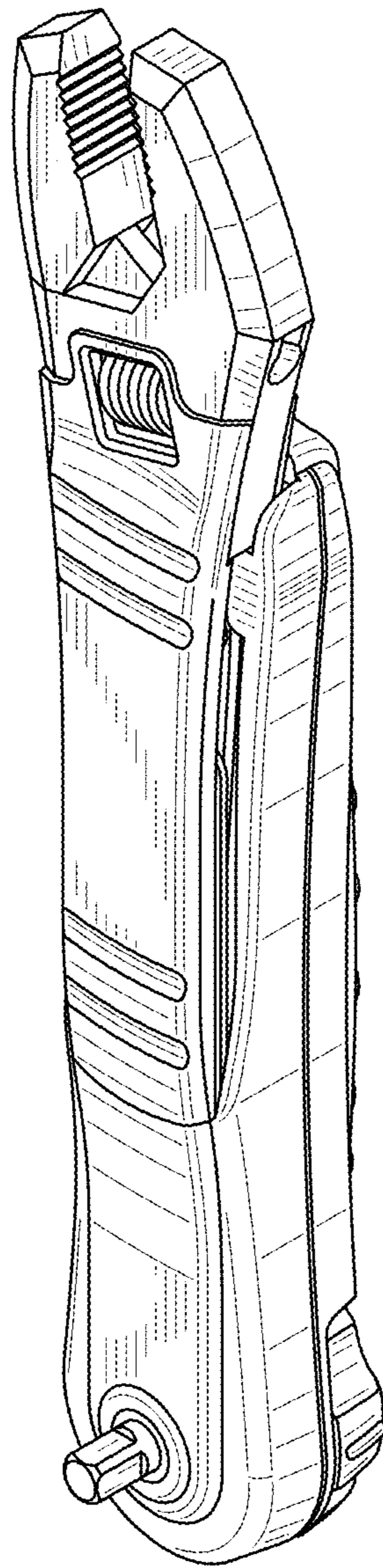


FIG. 1

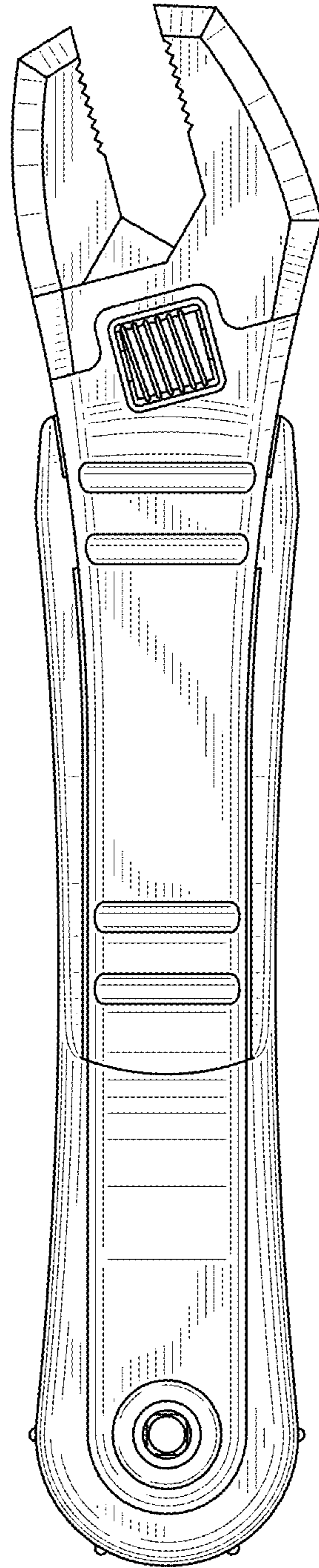


FIG. 2

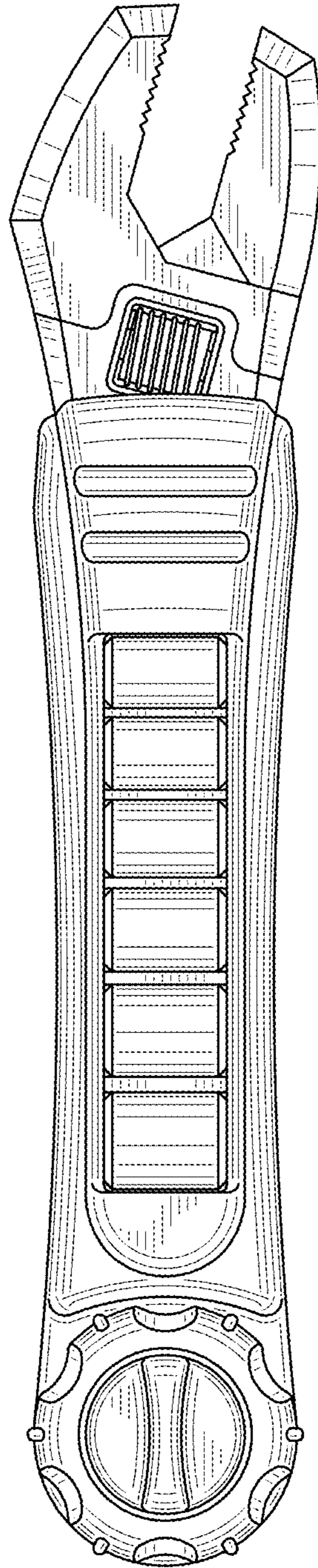


FIG. 3

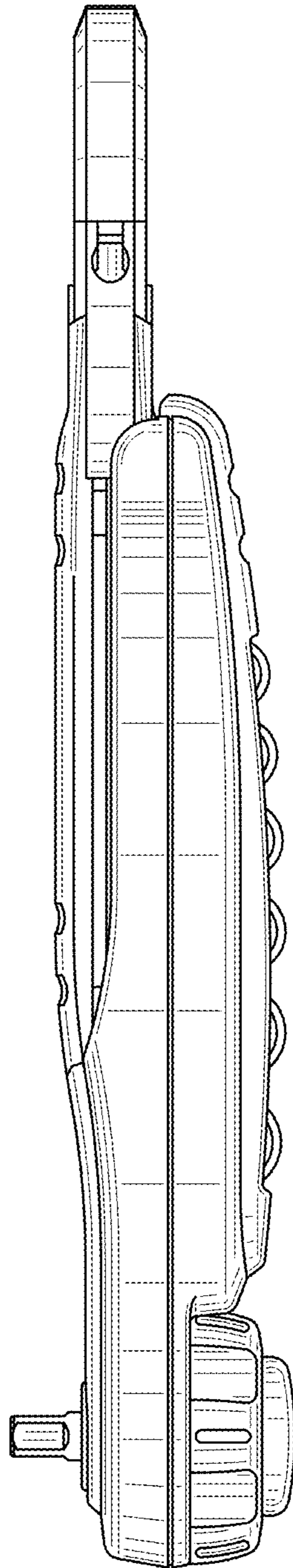


FIG. 4

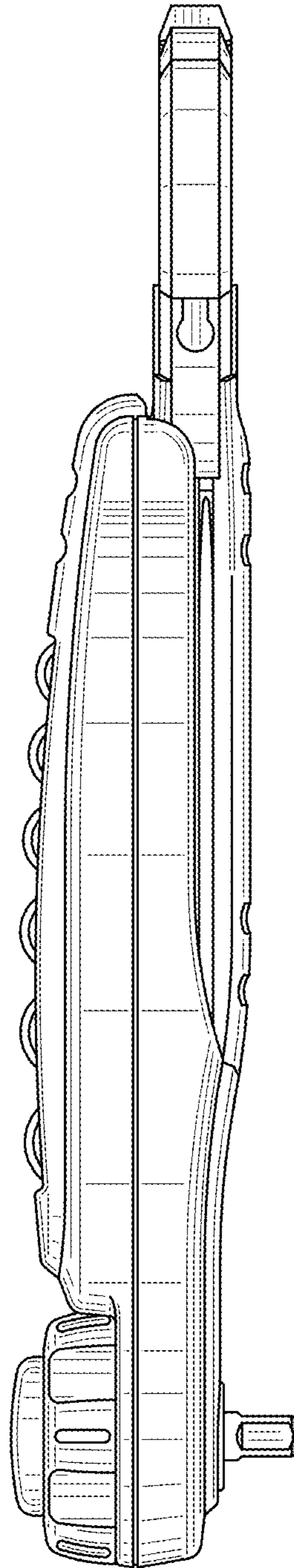


FIG. 5

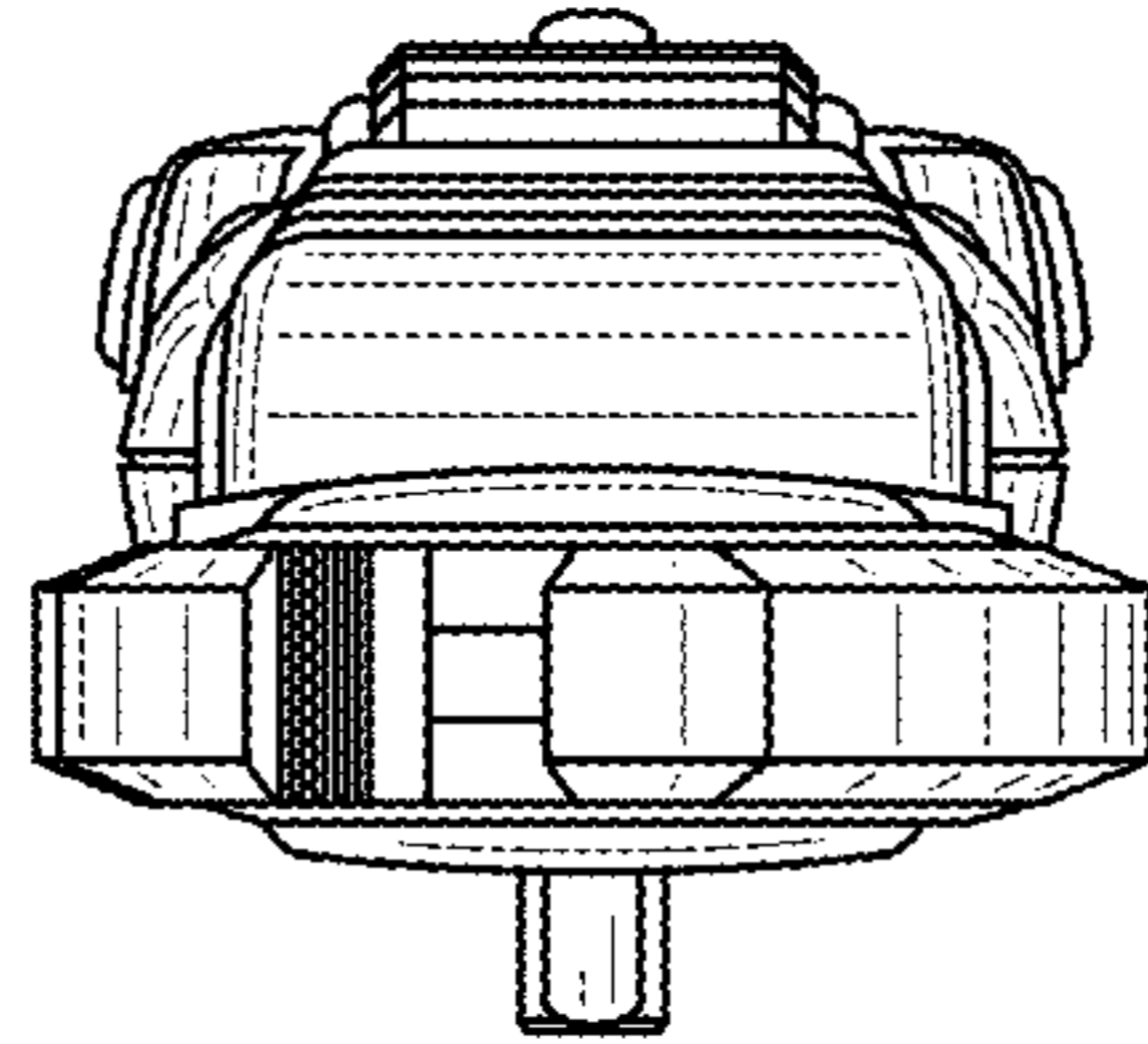


FIG. 6

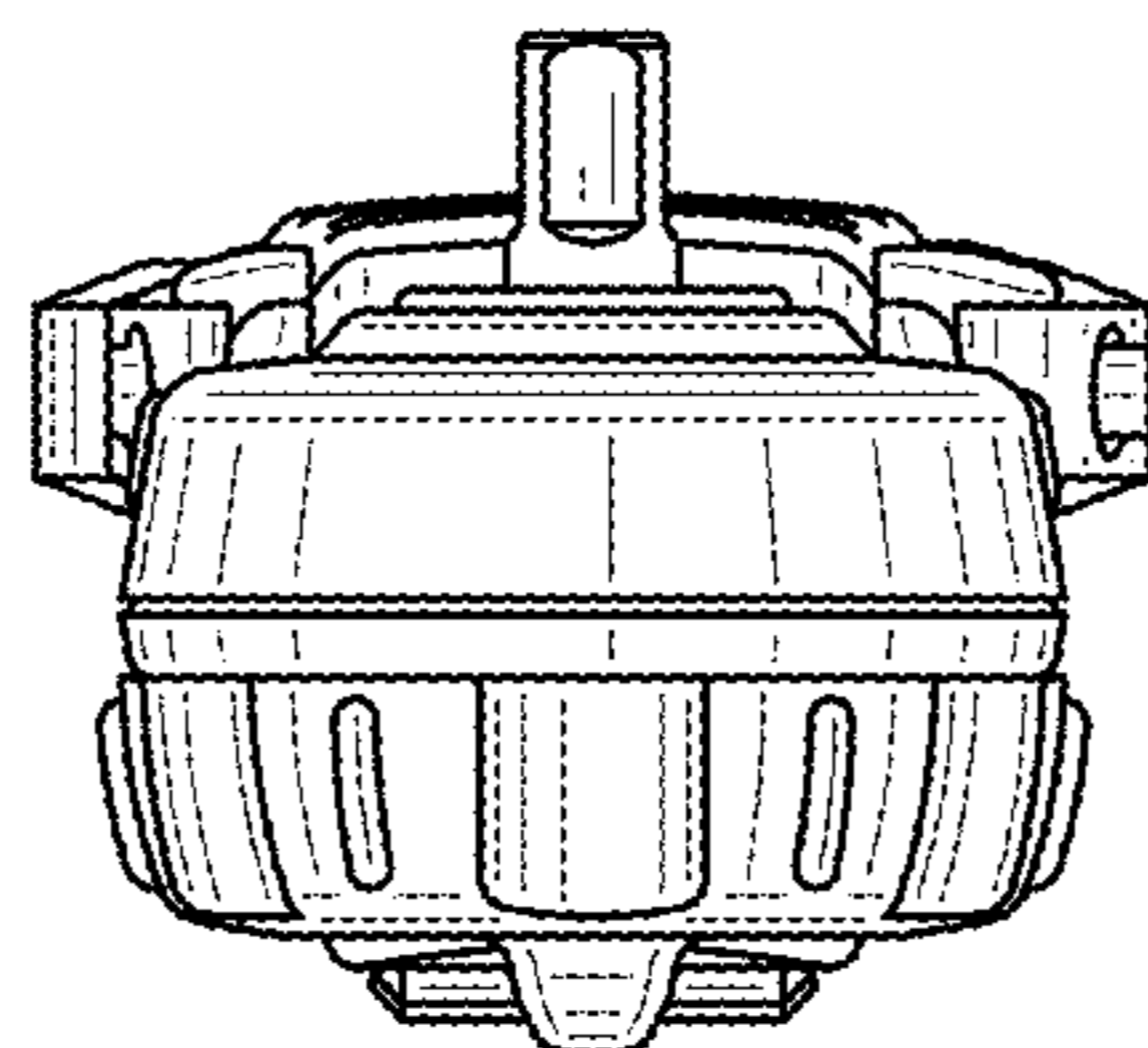


FIG. 7