



US00D752400S

(12) **United States Design Patent**
Wong

(10) **Patent No.:** **US D752,400 S**
(45) **Date of Patent:** **** Mar. 29, 2016**

- (54) **SLICER FOR FRUIT AND VEGETABLE**
- (71) Applicant: **Yan Kwong Wong**, Kowloon Hong Kong (CN)
- (72) Inventor: **Yan Kwong Wong**, Kowloon Hong Kong (CN)
- (**) Term: **14 Years**
- (21) Appl. No.: **29/495,500**
- (22) Filed: **Jul. 1, 2014**
- (51) **LOC (10) Cl.** **07-04**
- (52) **U.S. Cl.**
USPC **D7/673**
- (58) **Field of Classification Search**
USPC D7/672-677, 693, 381, 383, 384;
30/275.4, 279.2, 280, 277.4, 279.6,
30/278; 99/538; 241/93, 94, 101.1, 37.5,
241/36, 273.1-273.4, 100, 285.1, 283,
241/285.2, 168; 83/699.61, 932, 856, 857,
83/699.51, 13, 435.11, 436.7, 440.2,
83/698.11, 425.3, 401, 858, 648
CPC B26D 3/283; B26D 7/24; B26D 2003/288;
B26D 2003/287; B26D 5/02; B26D 2003/286;
A47J 43/245
See application file for complete search history.

(56) **References Cited**
U.S. PATENT DOCUMENTS

4,573,387	A *	3/1986	Denter	B26D 3/283
					74/110
4,733,588	A *	3/1988	Yamamoto	A47J 43/25
					83/856
D400,767	S *	11/1998	de Saint-Genois	D7/673
6,082,645	A *	7/2000	Himmighofen	B26D 3/283
					241/168

7,066,071	B2 *	6/2006	Zeder	B26D 3/283
					30/278
2004/0231482	A1 *	11/2004	Boilen	B26D 3/283
					83/425.3
2006/0075872	A1 *	4/2006	Wangler	B26D 3/283
					83/856
2006/0283299	A1 *	12/2006	Mellen	B26D 3/283
					83/401
2007/0089577	A1 *	4/2007	Wong	B26D 3/283
					83/13
2007/0137457	A1 *	6/2007	Botsai	B26D 3/283
					83/858
2008/0098866	A1 *	5/2008	DiPietro	B26D 3/283
					83/440.2
2009/0255391	A1 *	10/2009	Hood	B26D 3/283
					83/648
2010/0263514	A1 *	10/2010	Mah	B26D 3/283
					83/856

* cited by examiner

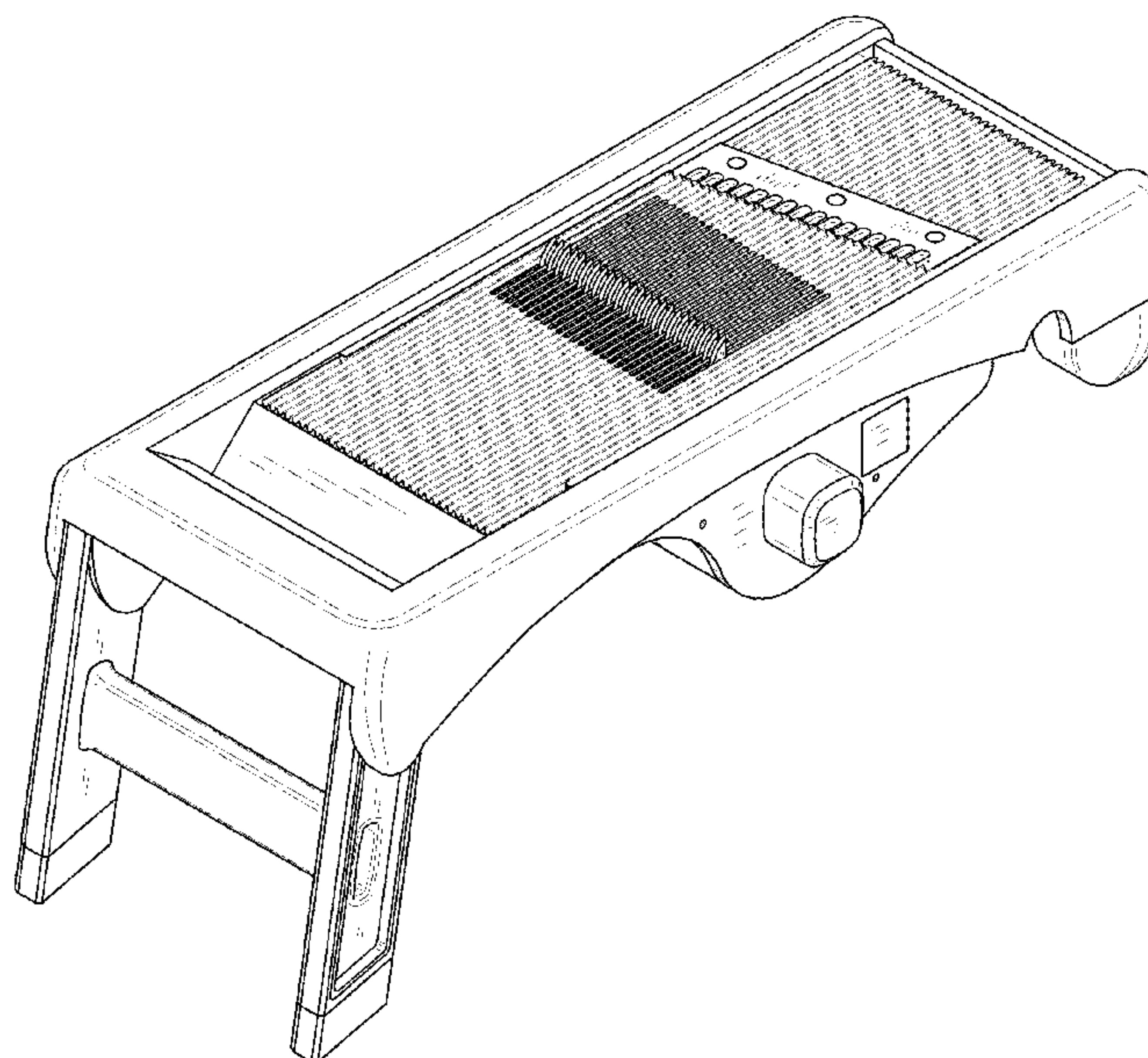
Primary Examiner — Terry Wallace

(57) **CLAIM**
The ornamental design for a slicer for fruit and vegetable, as shown and described.

DESCRIPTION

FIG. 1 is a top perspective view of a slicer for fruit and vegetable showing my new design;
FIG. 2 is a front view of the slicer for fruit and vegetable;
FIG. 3 is a rear view of the slicer for fruit and vegetable;
FIG. 4 is a right side view of the slicer for fruit and vegetable;
FIG. 5 is a left side view of the slicer for fruit and vegetable;
FIG. 6 is a top side view of the slicer for fruit and vegetable;
FIG. 7 is a bottom view of the slicer for fruit and vegetable;
and,
FIG. 8 is a bottom perspective view of the slicer for fruit and vegetable.

1 Claim, 7 Drawing Sheets



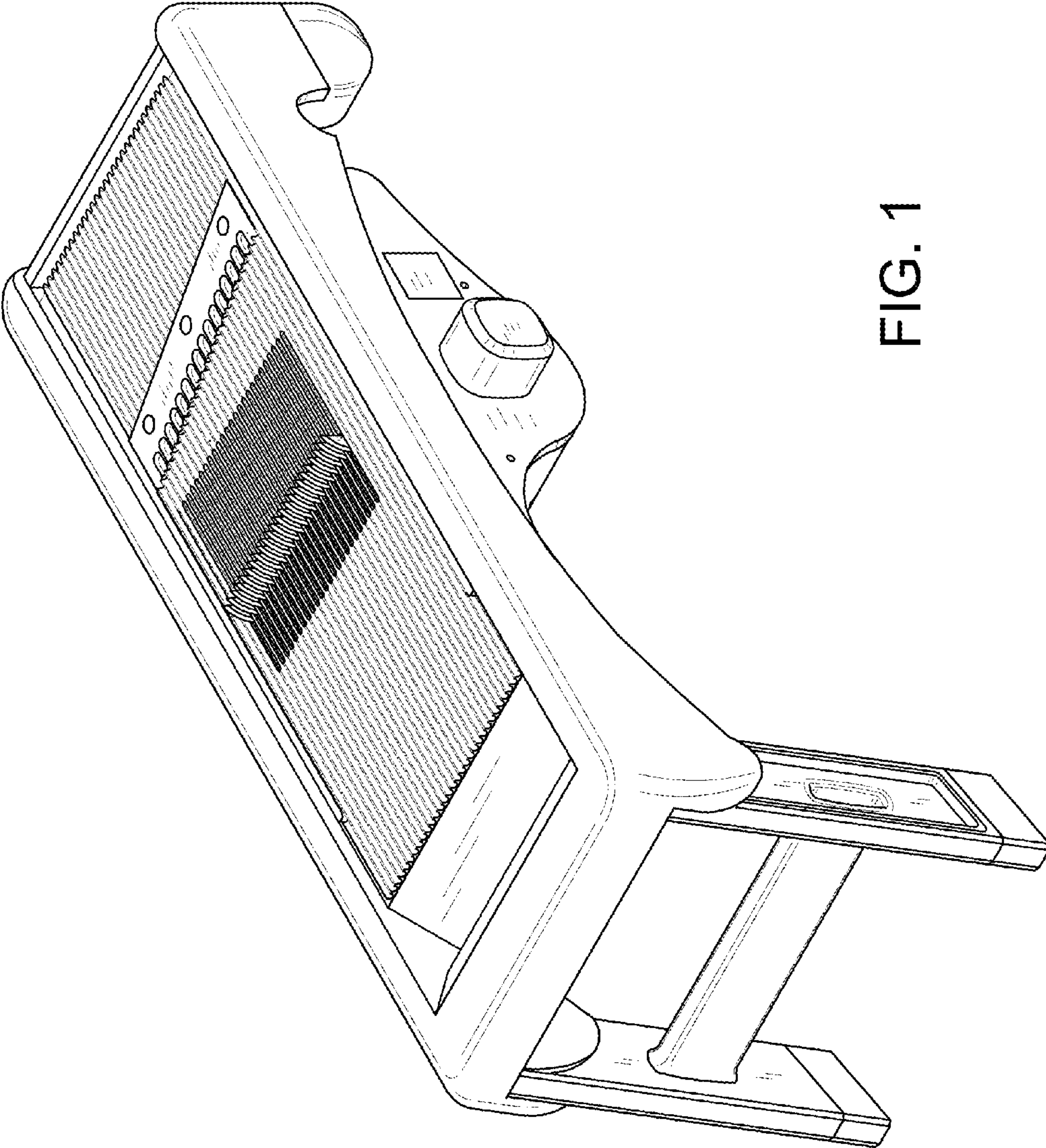


FIG. 1

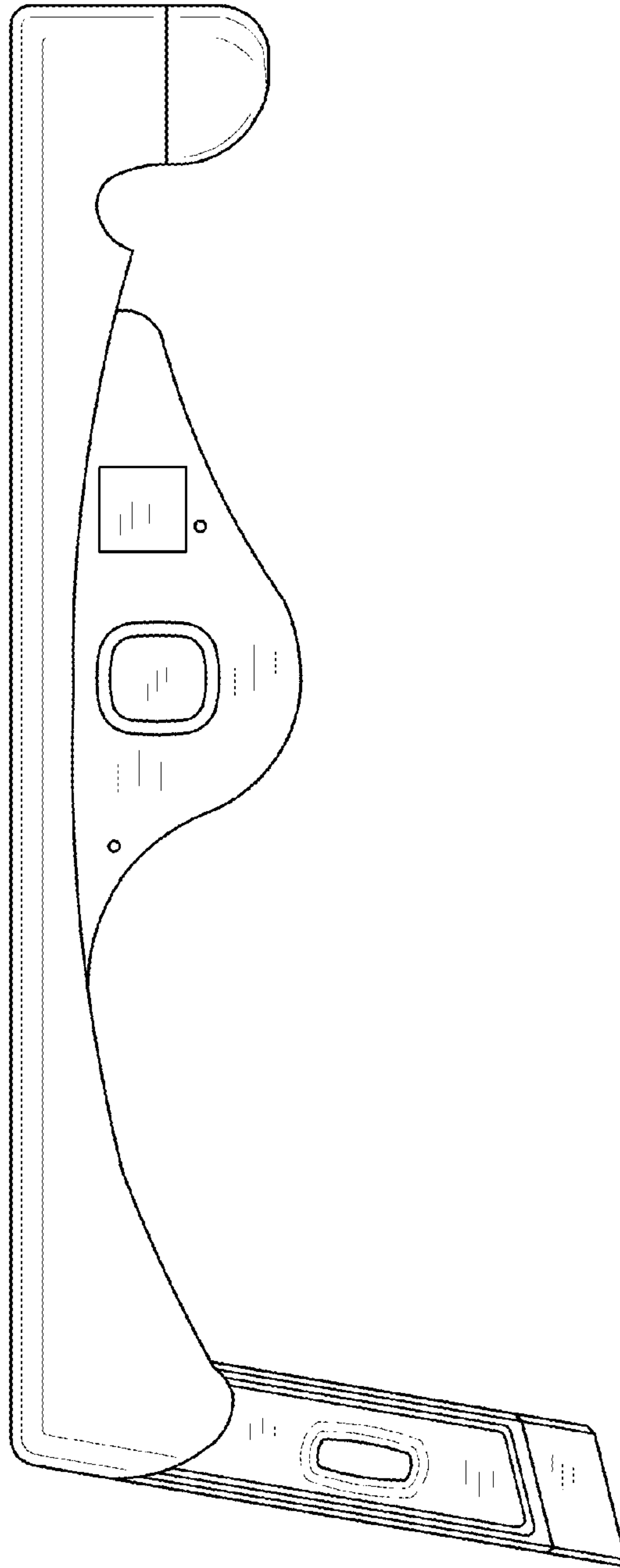


FIG. 2

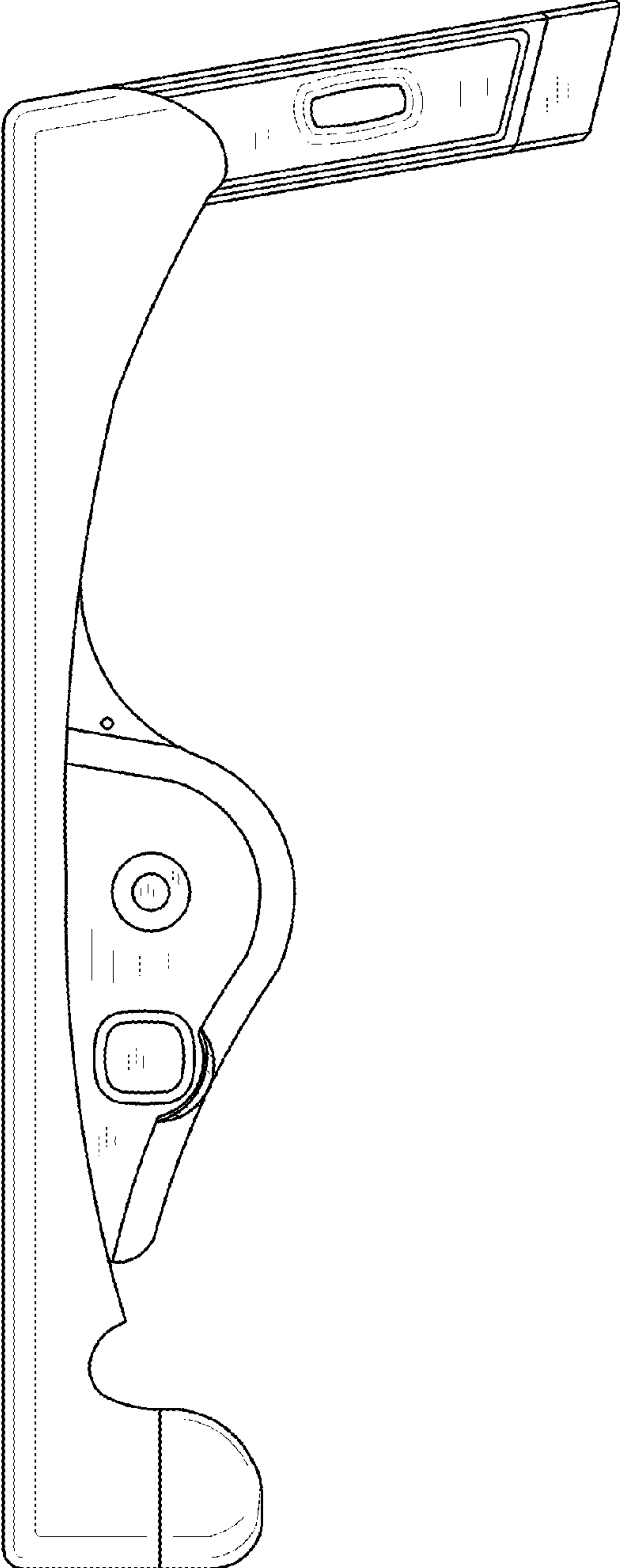


FIG. 3

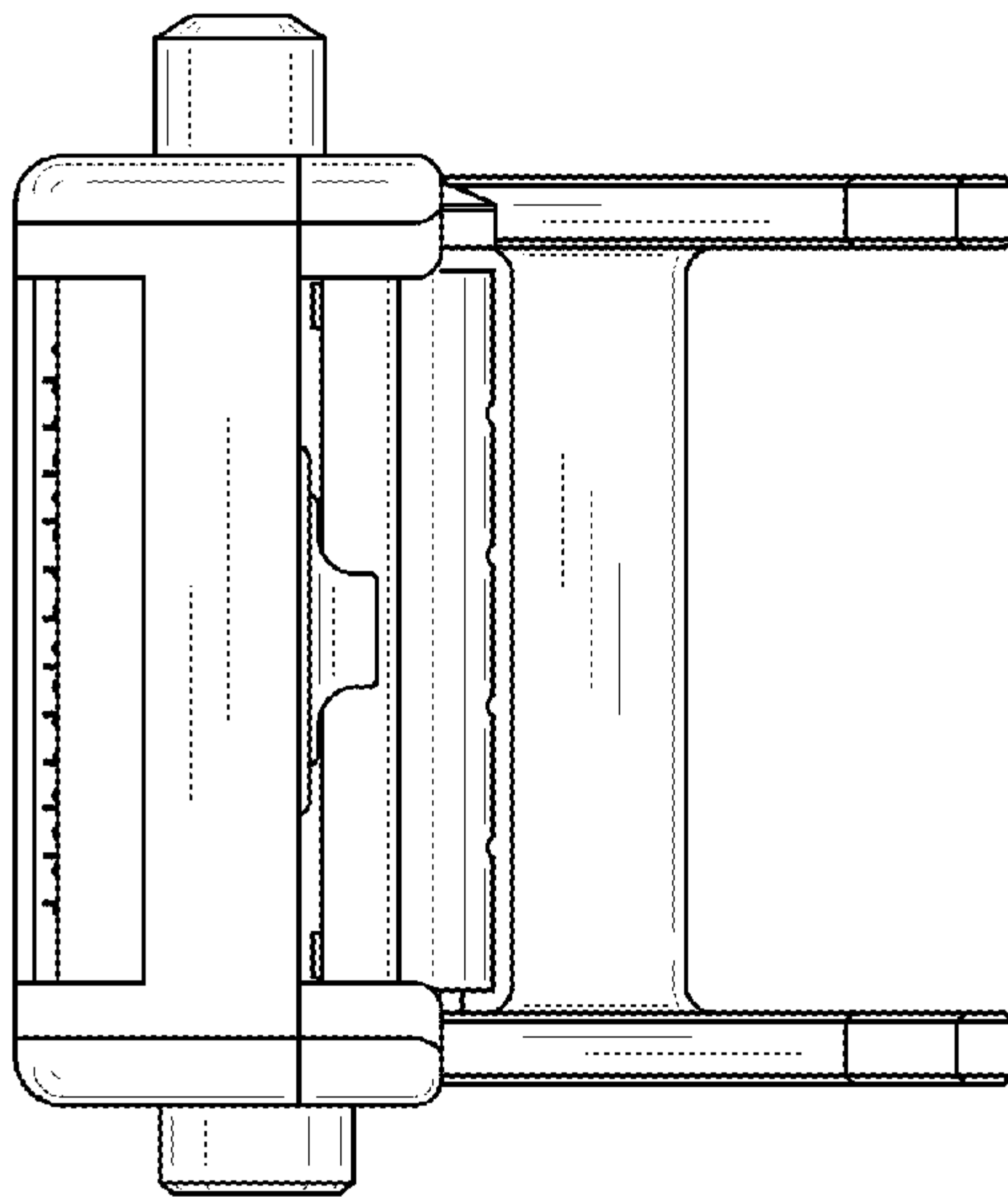


FIG. 5

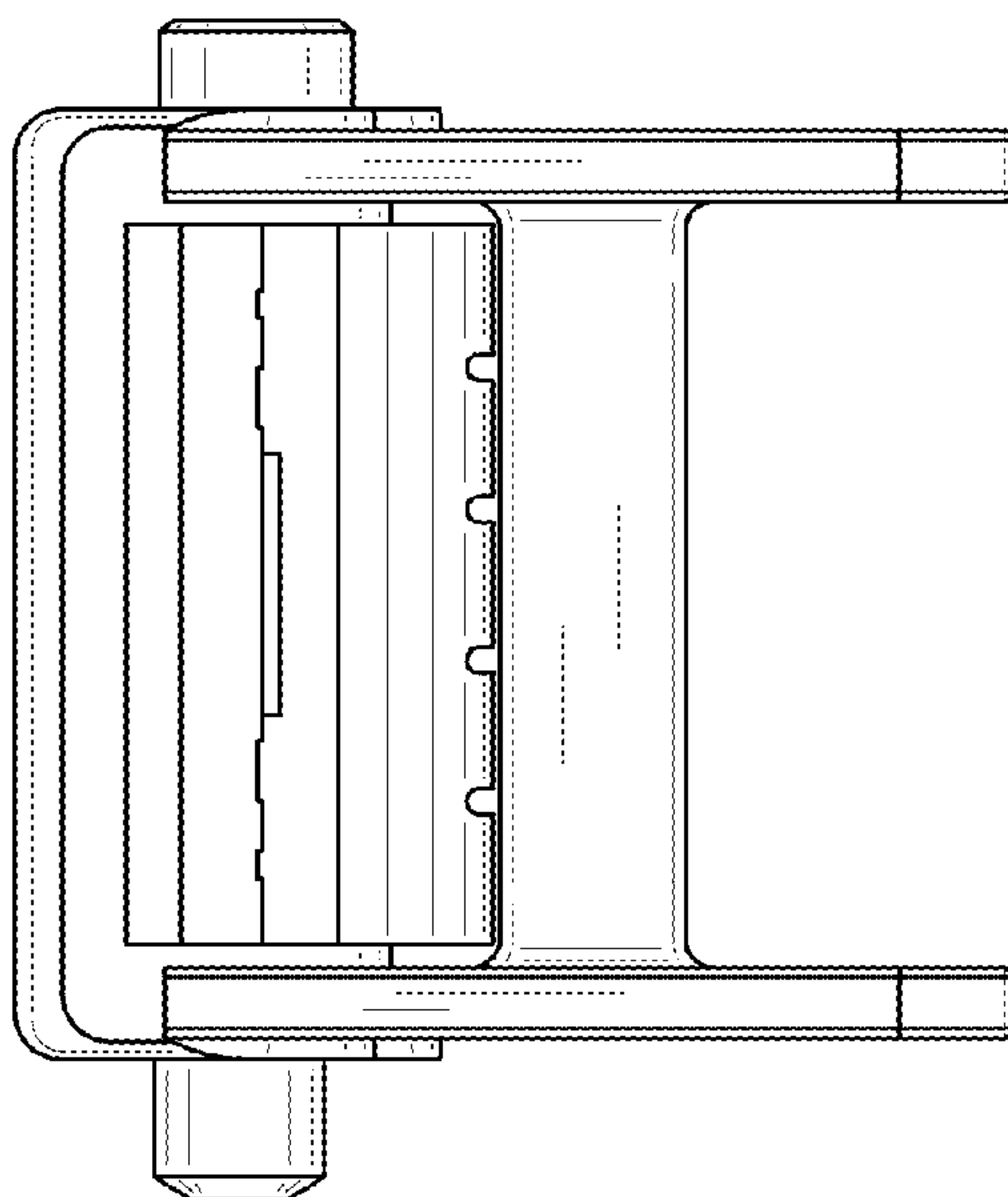


FIG. 4

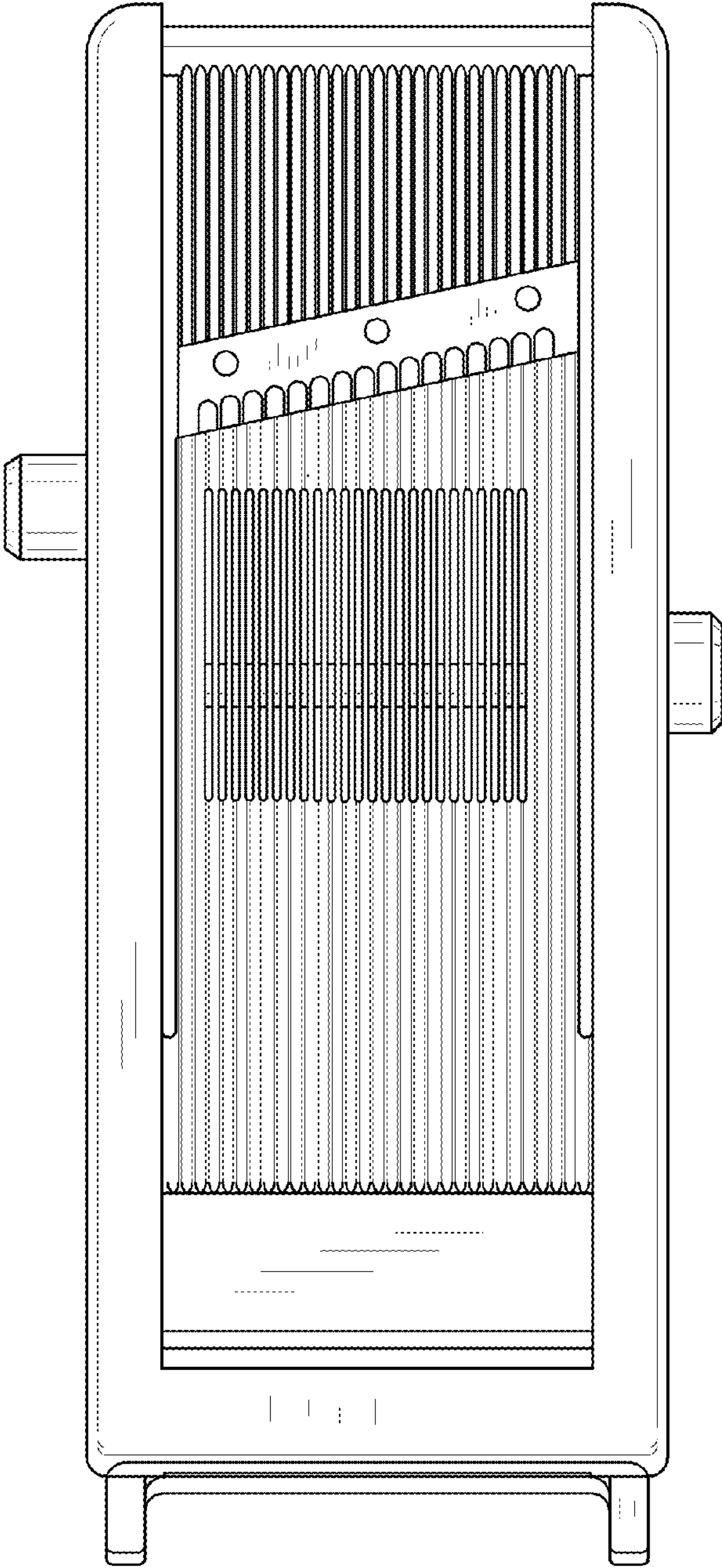


FIG. 6

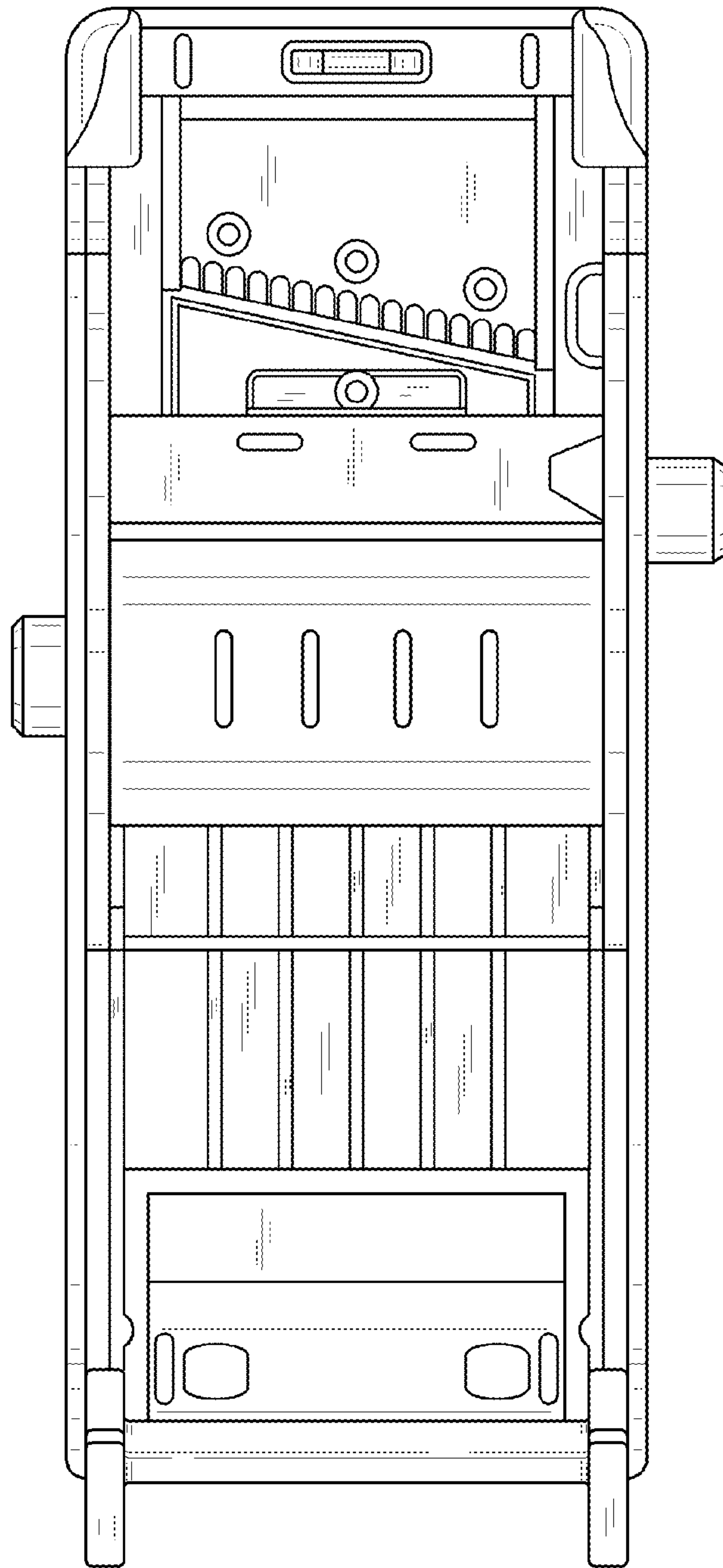


FIG. 7

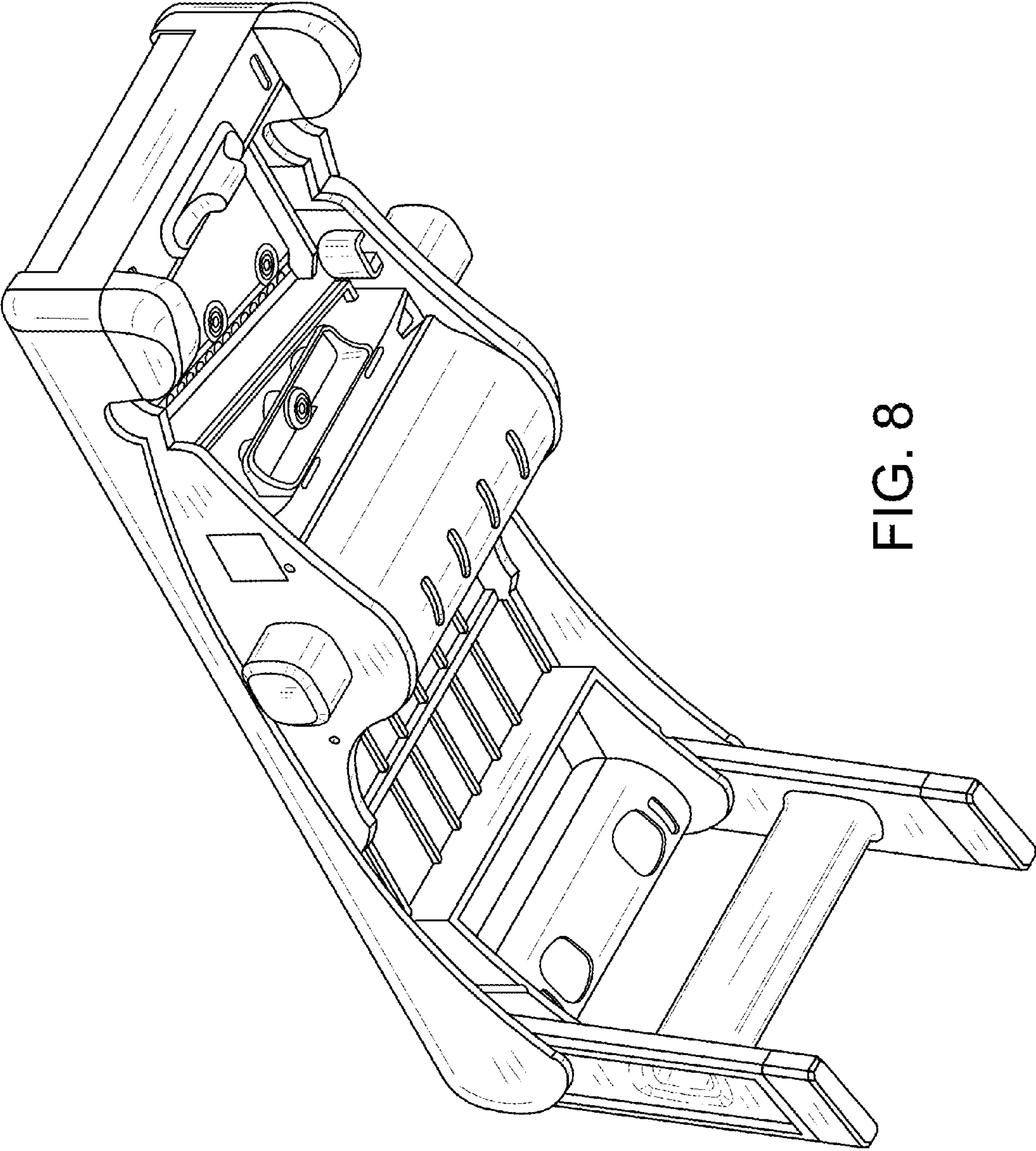


FIG. 8