



US00D752399S

(12) **United States Design Patent**
Walsh et al.

(10) **Patent No.:** **US D752,399 S**
(45) **Date of Patent:** **** Mar. 29, 2016**

- (54) **SIEVE**
- (71) Applicant: **D & J Products, Inc.**, Bellvue, CO (US)
- (72) Inventors: **Daniel J. Walsh**, Steamboat Springs, CO (US); **Jordan Levick**, Bellvue, CO (US)
- (73) Assignee: **D & J Products, Inc.**, Bellvue, CO (US)
- (**) Term: **14 Years**
- (21) Appl. No.: **29/513,500**
- (22) Filed: **Dec. 31, 2014**
- (51) **LOC (10) Cl.** **07-02**
- (52) **U.S. Cl.**
USPC **D7/667**
- (58) **Field of Classification Search**
USPC D7/571, 543, 667; 210/464-465,
210/498-499, 497.01; 99/415, 425;
209/233, 391, 418
CPC A47J 43/22; A47J 43/24
See application file for complete search history.

(56) **References Cited**

U.S. PATENT DOCUMENTS

- 96,973 A * 11/1869 Saxton A47J 37/0786
99/400
- 3,980,563 A * 9/1976 Greutert A47J 19/027
210/232
- D254,142 S * 2/1980 Scherotto D21/373
- D298,403 S * 11/1988 Hagberg D3/306
- D299,497 S * 1/1989 Reidenbach D21/373
- D314,315 S * 2/1991 Darnell D7/667
- D330,992 S * 11/1992 Kleck D7/399
- D334,691 S * 4/1993 Feer D7/667
- D349,211 S * 8/1994 Cerato D7/400
- D359,887 S * 7/1995 Hasuike D7/667
- 5,505,850 A * 4/1996 Licari A47J 47/20
210/464
- 5,622,266 A * 4/1997 Curtis B07B 1/005
209/235

- D398,088 S * 9/1998 Angier D30/161
- D408,693 S * 4/1999 Wong D7/667
- D420,864 S * 2/2000 Kenney D7/667
- D433,884 S * 11/2000 Fujimoto D7/667
- D440,126 S * 4/2001 Smaldone D7/667
- D445,004 S * 7/2001 Wallays D7/667
- D450,547 S * 11/2001 Lo D7/667
- D480,096 S * 9/2003 Hovian D15/147
- D486,999 S * 2/2004 de Groote D7/667
- D489,231 S * 5/2004 Moeller D7/700
- D498,121 S * 11/2004 Moeller D7/667
- D503,592 S * 4/2005 de Groote D7/667
- D512,284 S * 12/2005 Massey D8/1
- D514,398 S * 2/2006 Feil D7/400
- D523,300 S * 6/2006 Tung D7/667

(Continued)

OTHER PUBLICATIONS

amazon.com. 13³/₄ Top Gold Sifting Pan with 11 Bottom ¹/₄ Mesh Size, Fits 5 gal. Bucket. Website, <http://www.amazon.com>, originally downloaded Dec. 19, 2014, 1 page.

(Continued)

Primary Examiner — Rosemary K Tarcza

Assistant Examiner — James Thorn, Sr.

(74) *Attorney, Agent, or Firm* — Craig R. Miles; CR Miles, P.C.

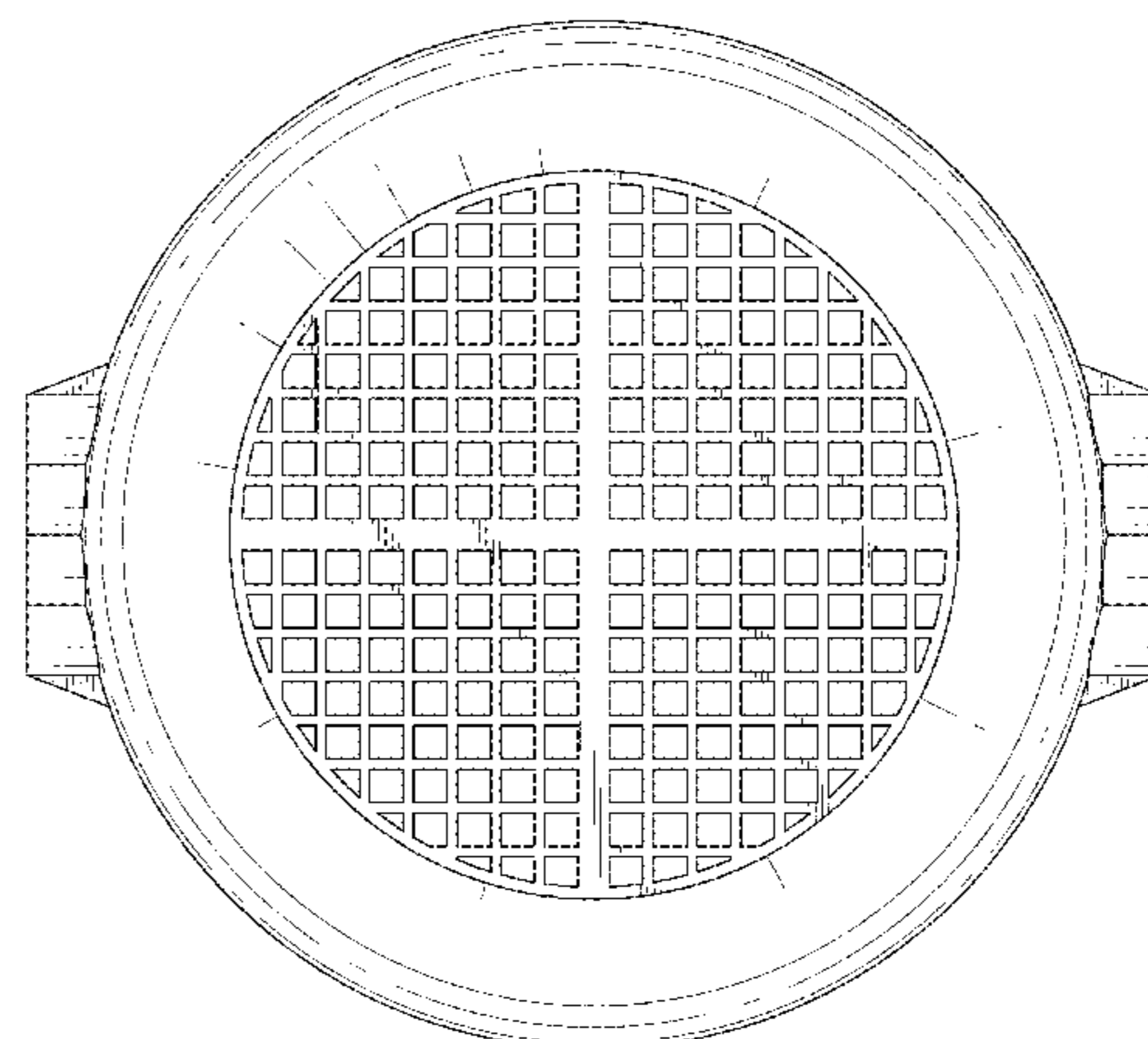
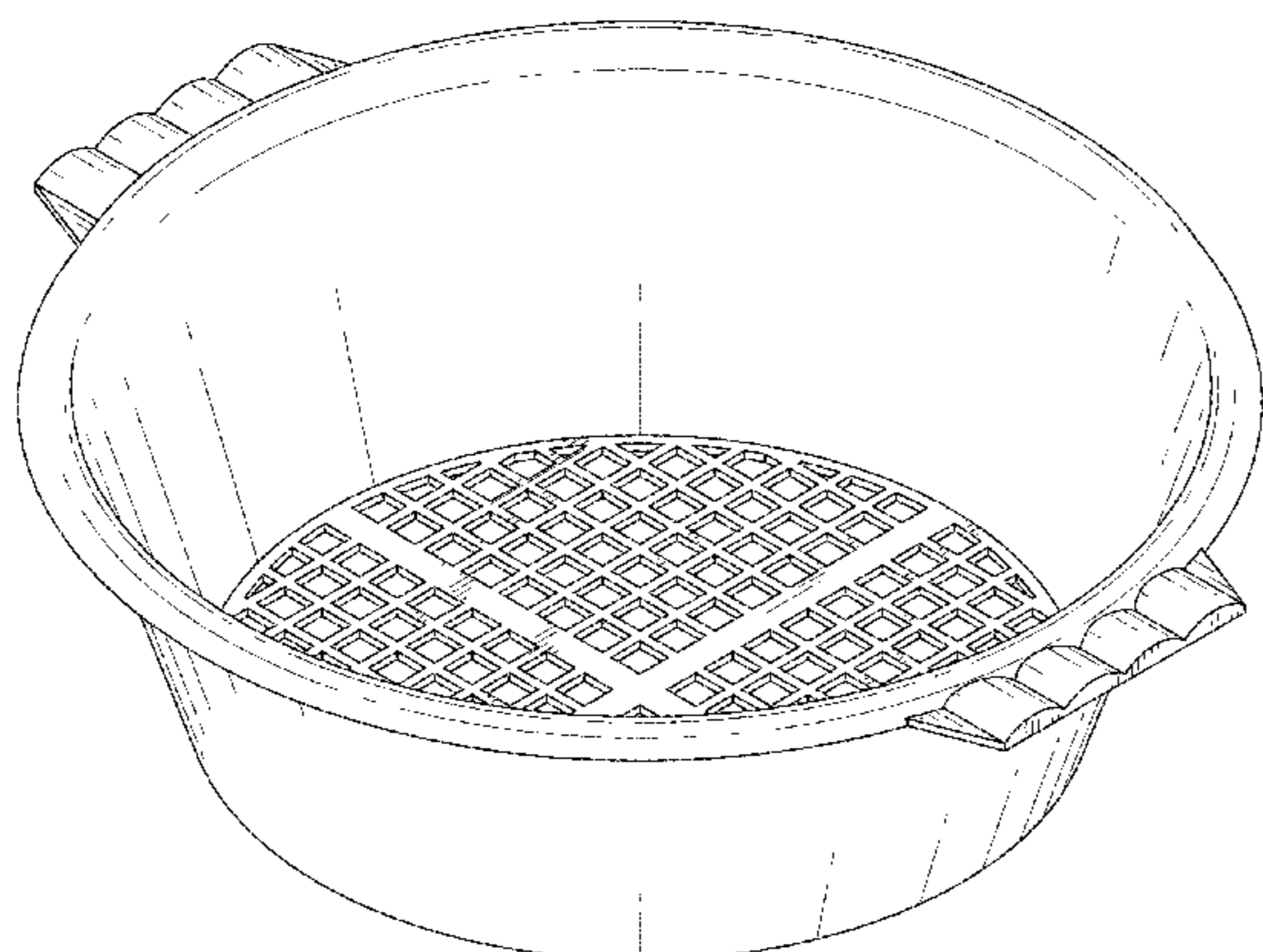
(57) **CLAIM**

The ornamental design for a sieve, as shown and described.

DESCRIPTION

FIG. 1 is a top and side perspective of a sieve, embodying our new design;
FIG. 2 is a top plan view thereof;
FIG. 3 is a bottom plan view thereof;
FIG. 4 is a front elevation view thereof, the front and rear elevation views are identical; and,
FIG. 5 is a side elevation view thereof, the left and right side elevation views are identical.

1 Claim, 4 Drawing Sheets



(56)

References Cited

U.S. PATENT DOCUMENTS

7,114,459 B2 * 10/2006 Schmidt A01K 1/0114
119/161
D571,168 S * 6/2008 Sais D8/1
D641,215 S * 7/2011 Heiberg D7/667
D648,983 S * 11/2011 Zemel D7/409
D666,086 S * 8/2012 Mundhra D7/667
D701,419 S * 3/2014 Sickels D7/361
D720,960 S * 1/2015 Ko D7/400
D733,509 S * 7/2015 Cornu D7/667
D744,302 S * 12/2015 Westgard D7/667

OTHER PUBLICATIONS

Pioneer Mining. Bucket Sieve Container. Website, <http://www.pioneermining.com>, originally downloaded Dec. 19, 2014, 2 total pages.

Pioneer Mining. Pans & Screens. Website, <http://www.pioneermining.com>, originally downloaded Dec. 19, 2014, 6 total pages.

* cited by examiner

FIG. 1

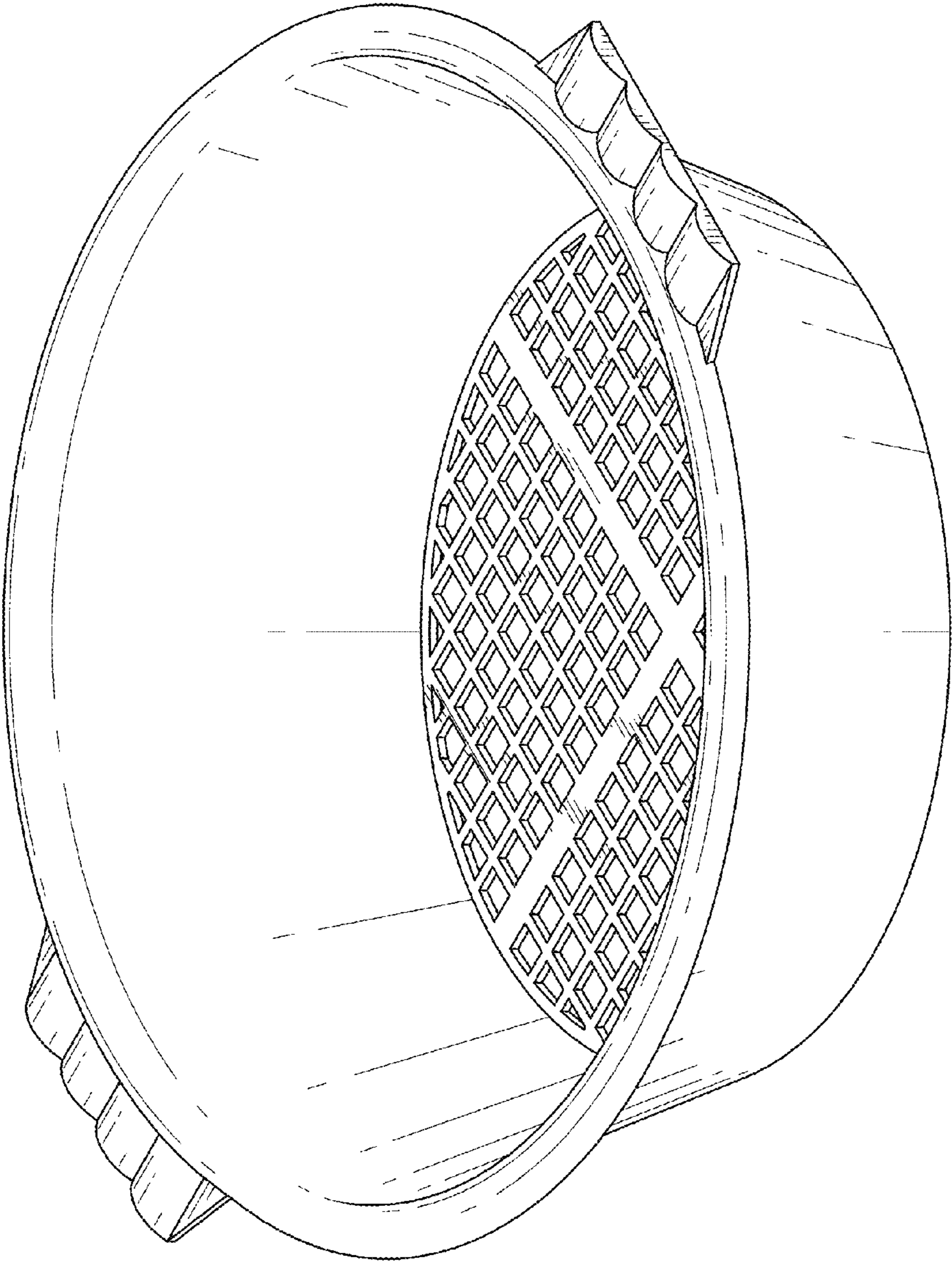


FIG. 2

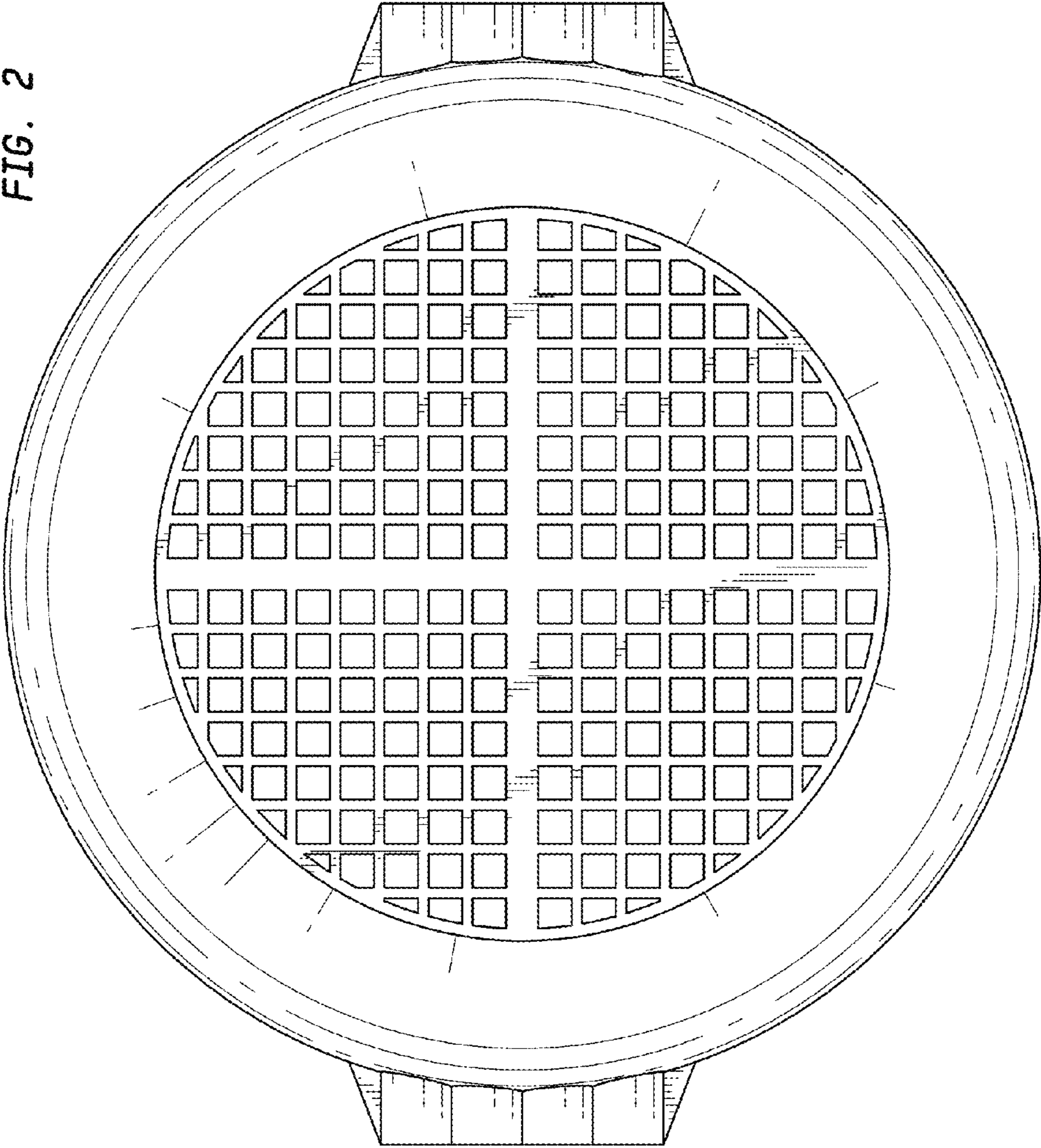


FIG. 3

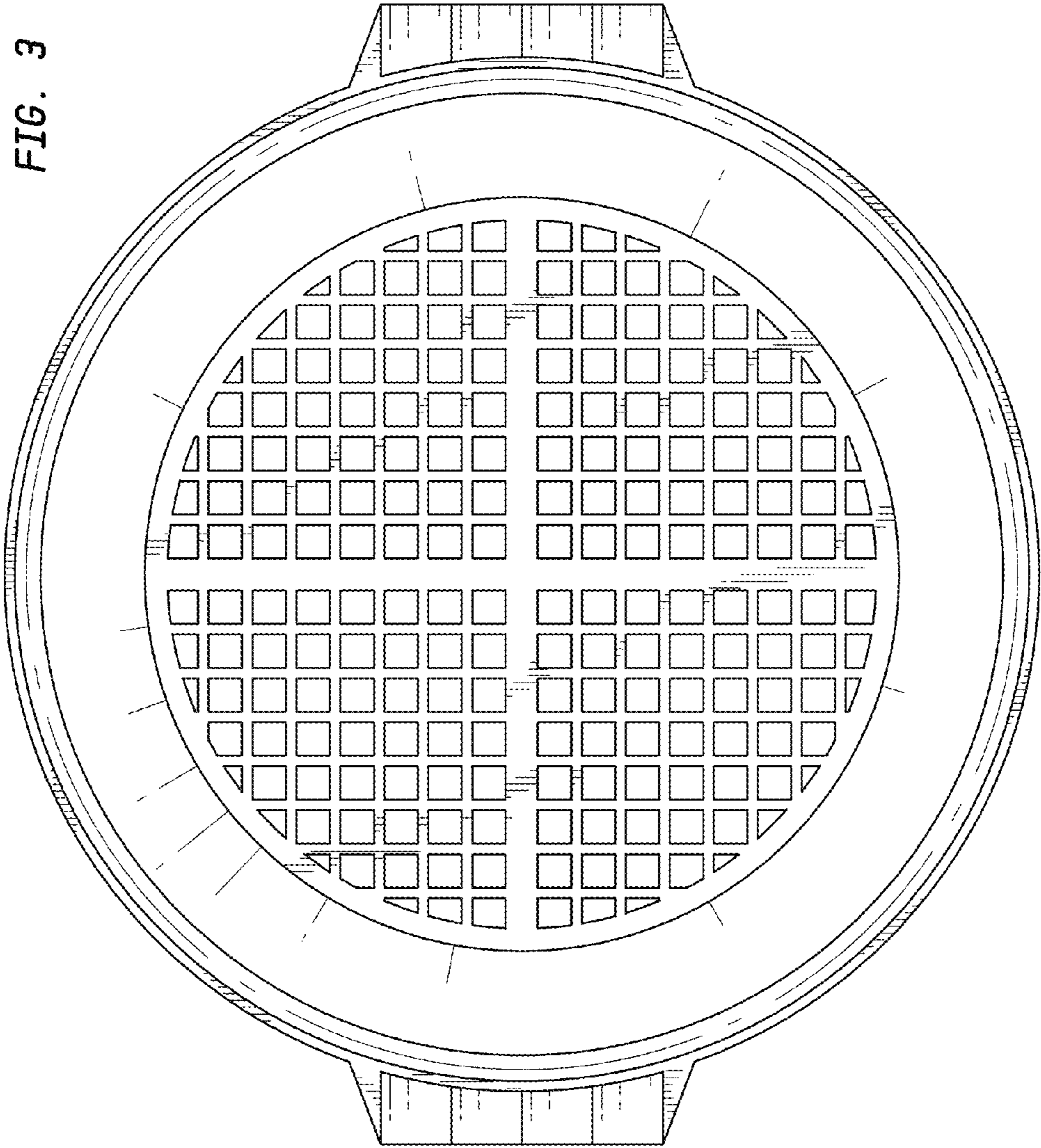


FIG. 4

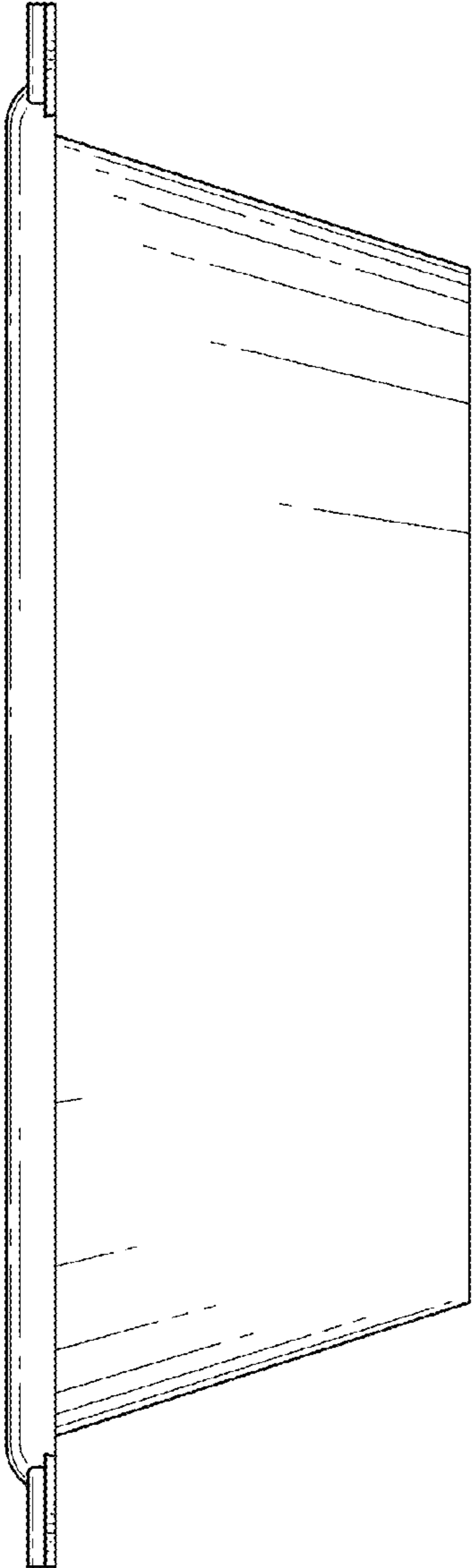


FIG. 5

