



US00D752397S

(12) **United States Design Patent**
Seiders et al.

(10) **Patent No.:** **US D752,397 S**
(45) **Date of Patent:** **** Mar. 29, 2016**

(54) **BEVERAGE HOLDER**

- (71) Applicant: **YETI Coolers, LLC**, Austin, TX (US)
- (72) Inventors: **Roy Joseph Seiders**, Austin, TX (US);
John Alan Tolman, Austin, TX (US)
- (73) Assignee: **YETI Coolers, LLC**, Austin, TX (US)
- (**) Term: **14 Years**
- (21) Appl. No.: **29/500,908**
- (22) Filed: **Aug. 29, 2014**
- (51) **LOC (10) Cl.** **07-06**
- (52) **U.S. Cl.**
USPC **D7/624.2; D7/608**
- (58) **Field of Classification Search**
USPC **D7/70-708; D9/455**
CPC **B65D 81/3881; B65D 81/3886; A47G**
23/0241; A47G 23/0266; A47G 19/2288
See application file for complete search history.

(56) **References Cited**

U.S. PATENT DOCUMENTS

D455,052 S	4/2002	Gullickson et al.	
D455,612 S	4/2002	Gullickson et al.	
6,626,326 B2	9/2003	Murakami	
8,251,247 B1 *	8/2012	Breckner A47G 23/0241 220/592.16

OTHER PUBLICATIONS

“Hooler the handheld cooler”, published on Apr. 12, 2014, retrieved from <https://web.archive.org/web/20140412062054/http://www.hoolercooler.com/> on Aug. 4, 2015.

* cited by examiner

Primary Examiner — Terry Wallace

(74) *Attorney, Agent, or Firm* — Banner & Witcoff, Ltd.

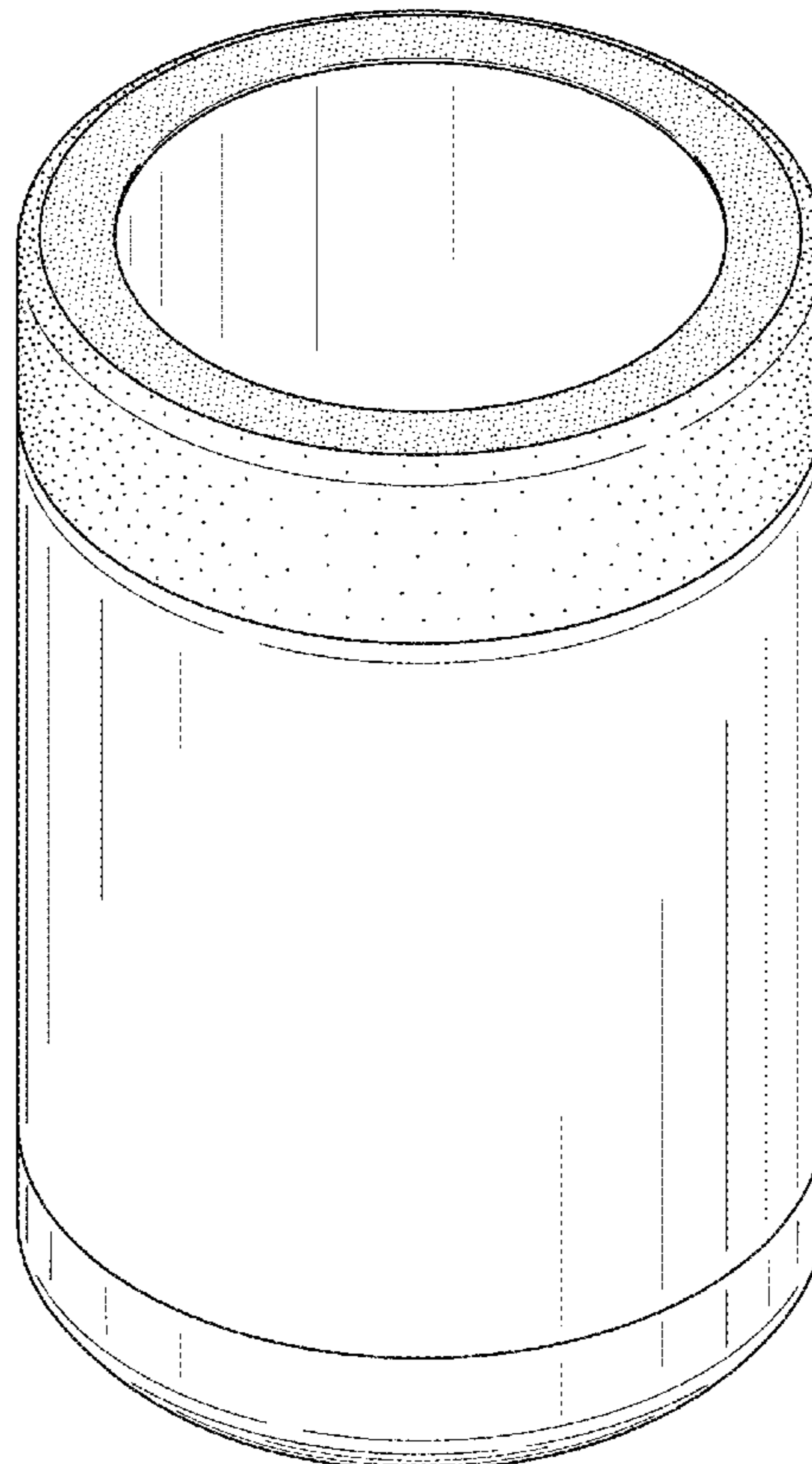
(57) **CLAIM**

The ornamental design for a beverage holder, as shown and described.

DESCRIPTION

FIG. 1 is a top, front, right perspective view of a beverage holder showing our new design;
FIG. 2 is a front view thereof;
FIG. 3 is a right side view thereof;
FIG. 4 is a rear view thereof;
FIG. 5 is a left side view thereof;
FIG. 6 is a top view thereof; and,
FIG. 7 is a bottom view thereof.

1 Claim, 4 Drawing Sheets



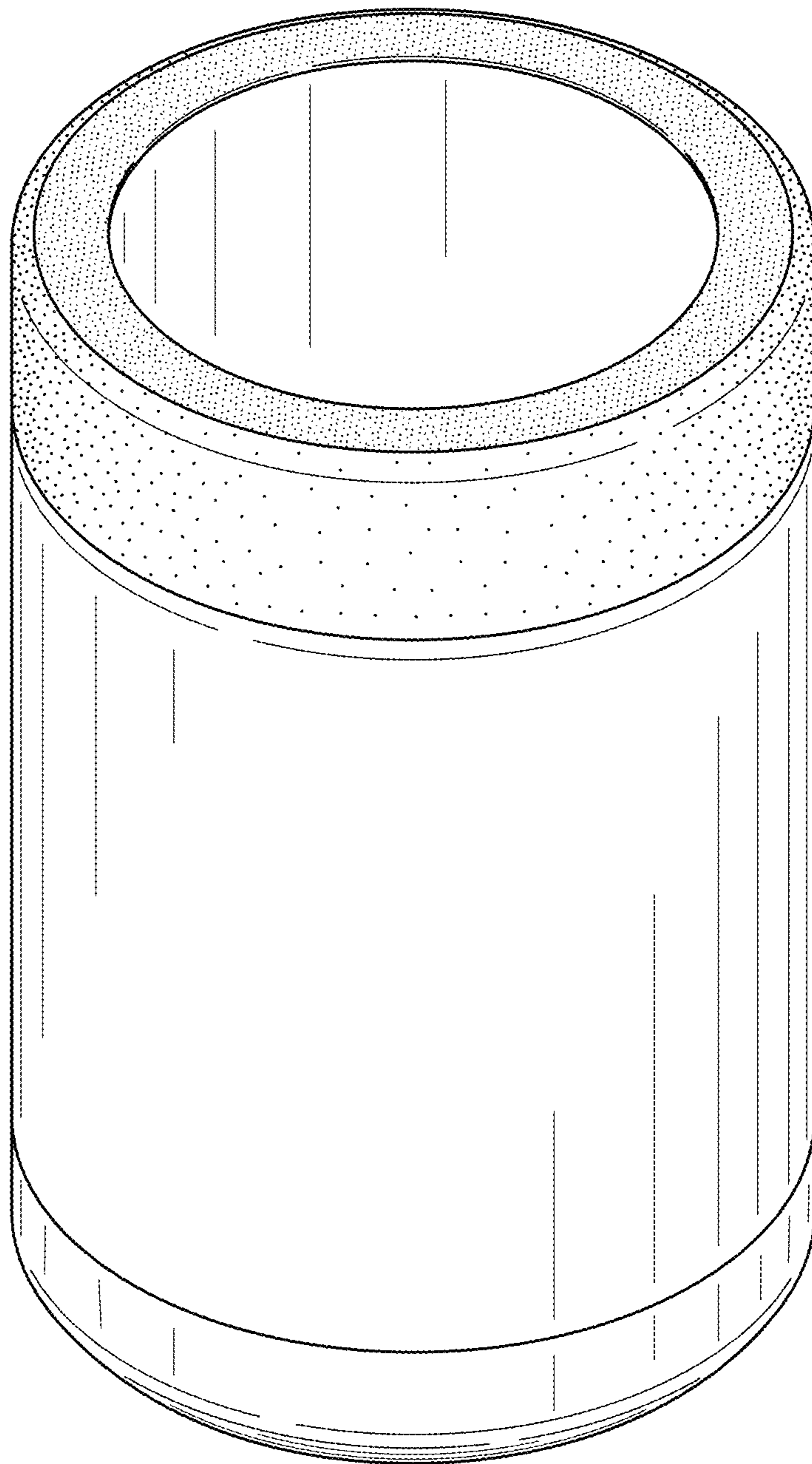


FIG. 1

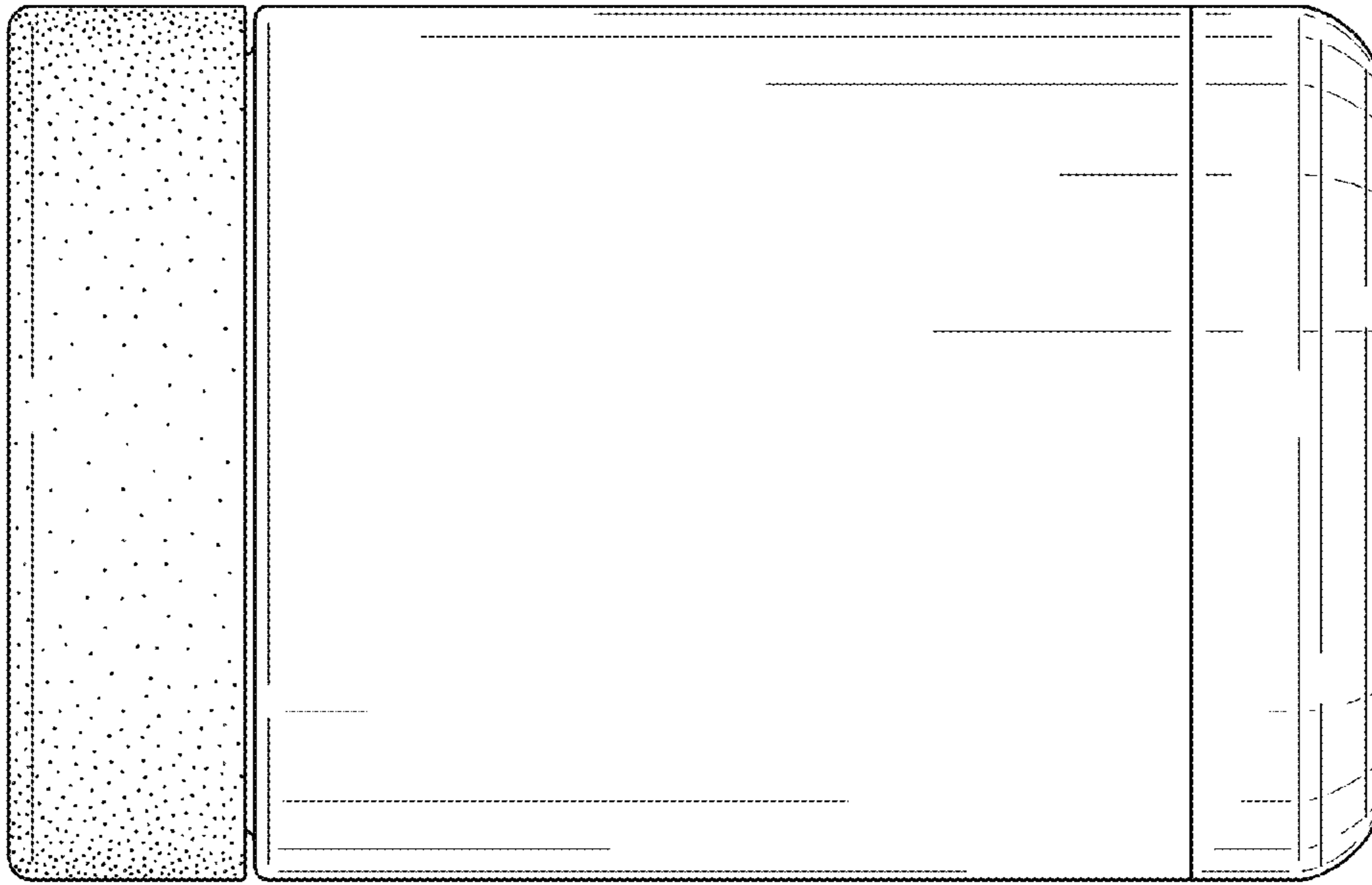


FIG. 3

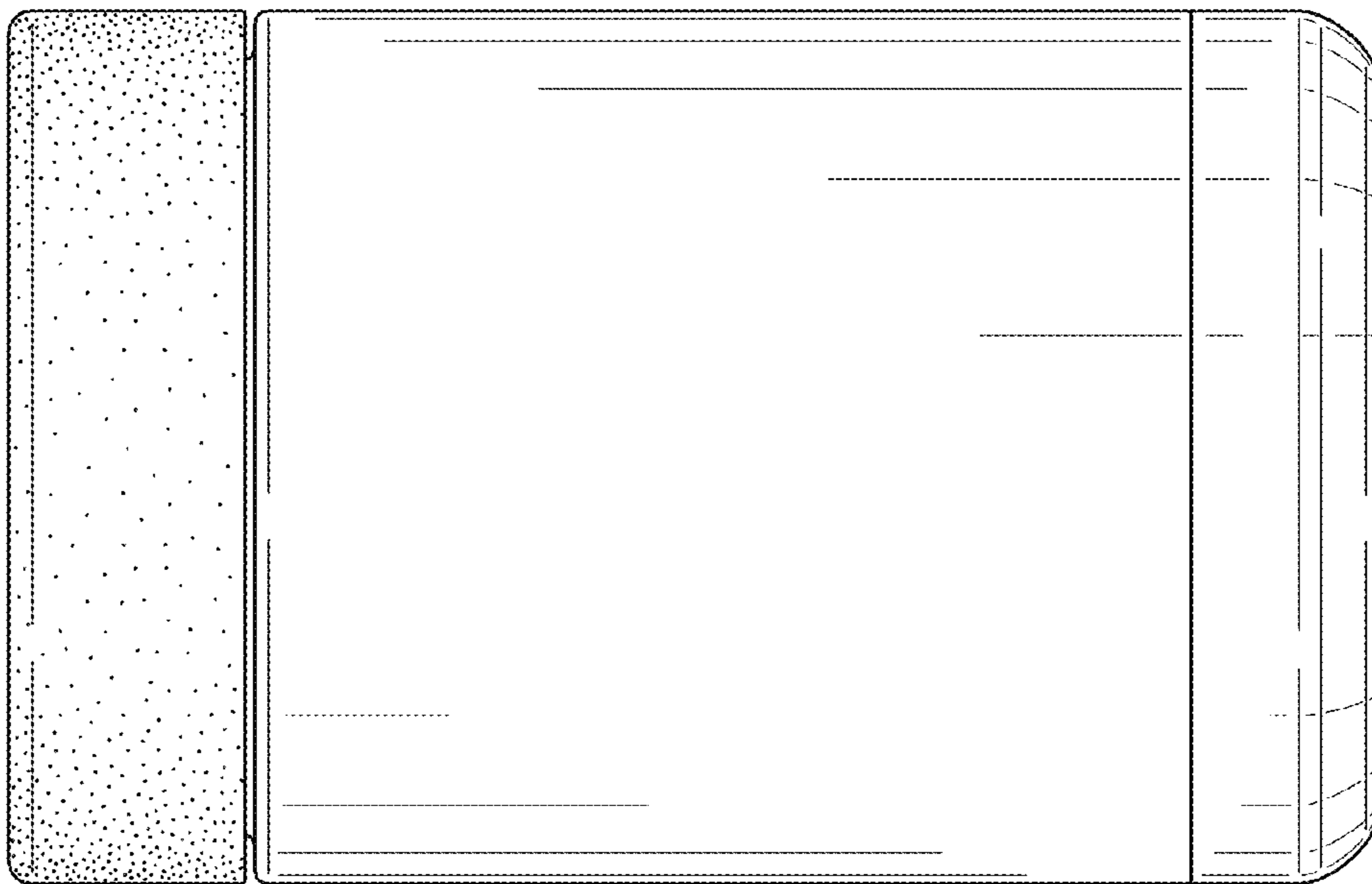


FIG. 2

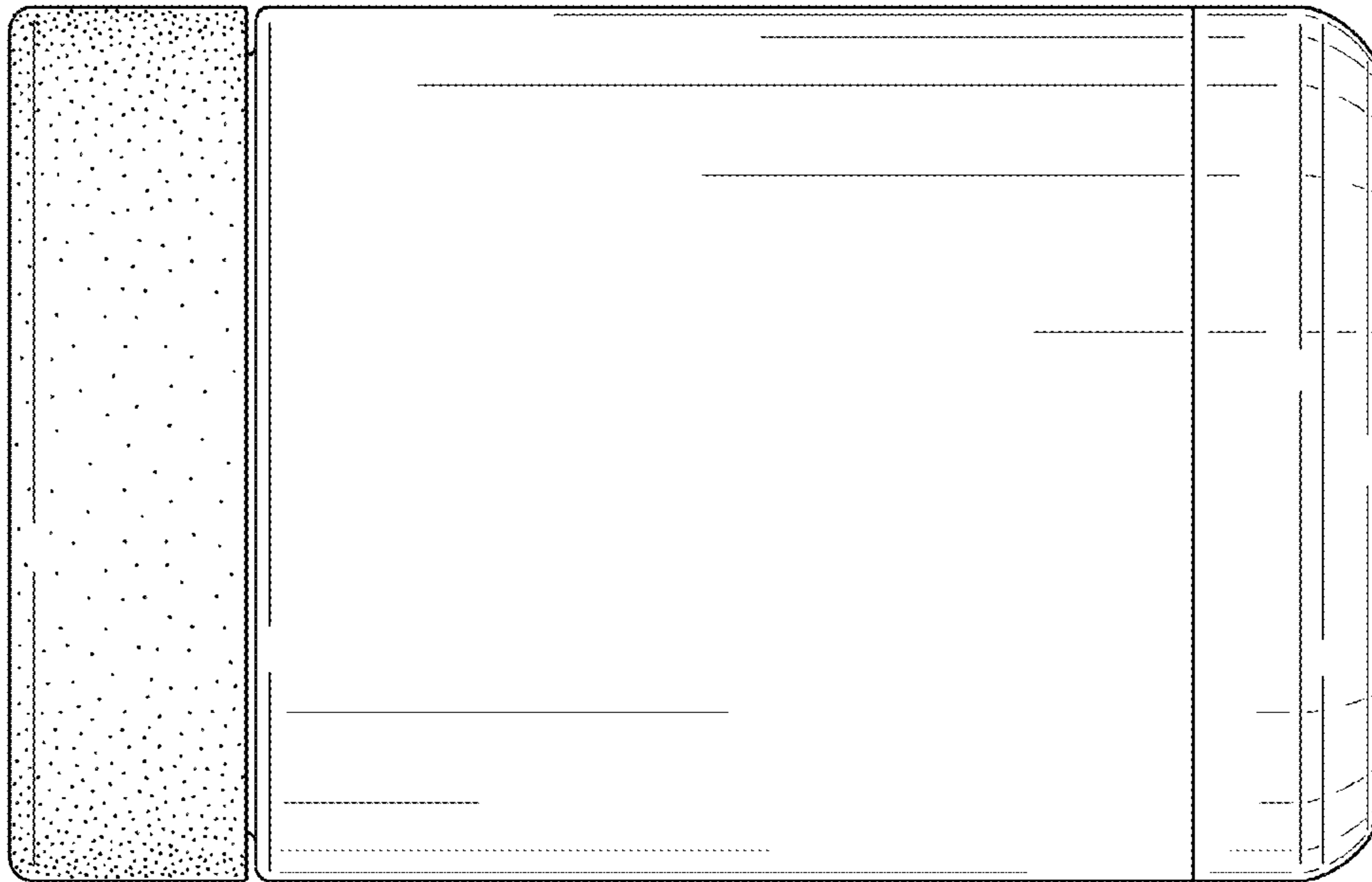


FIG. 5

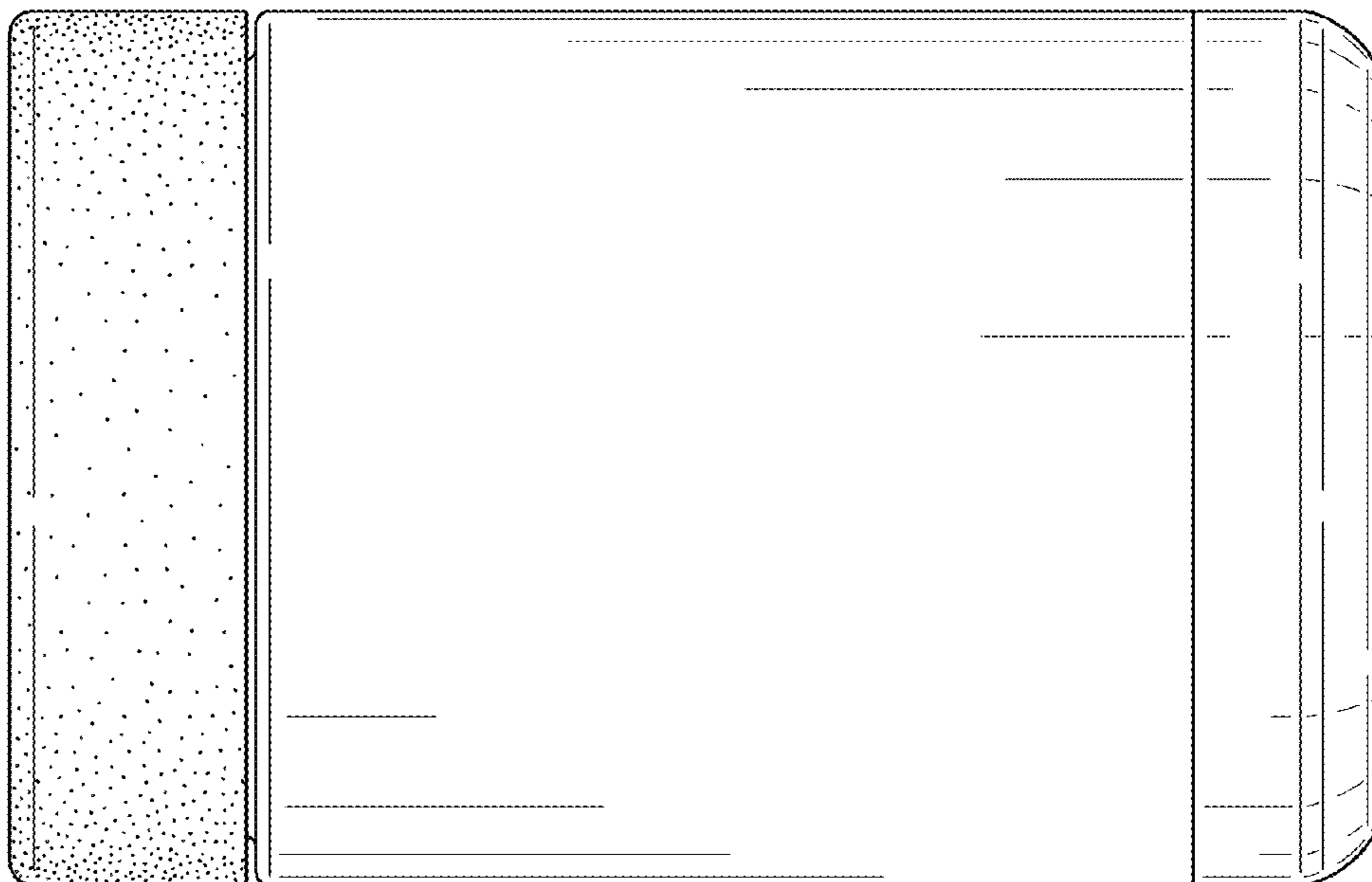


FIG. 4

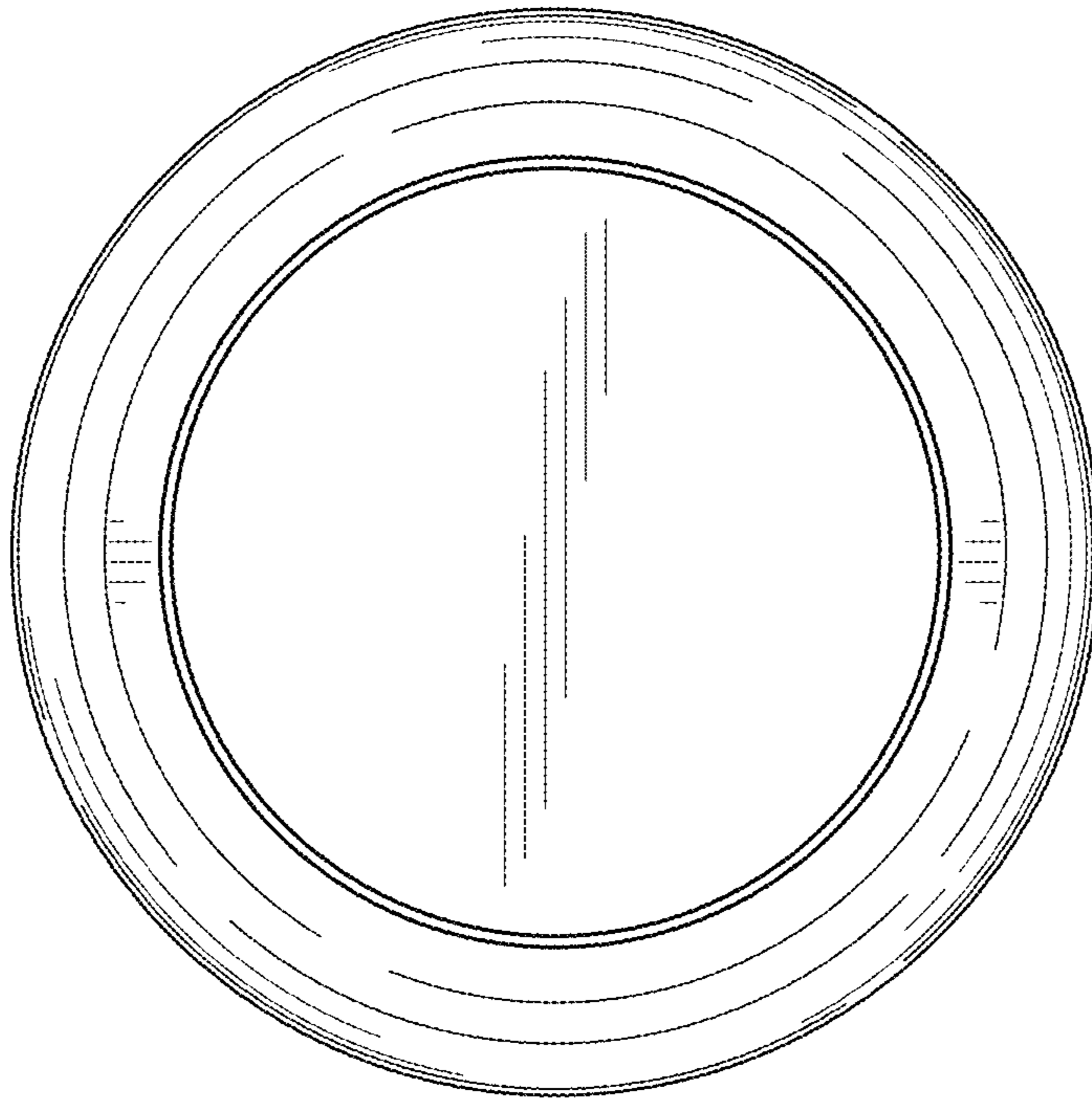


FIG. 7

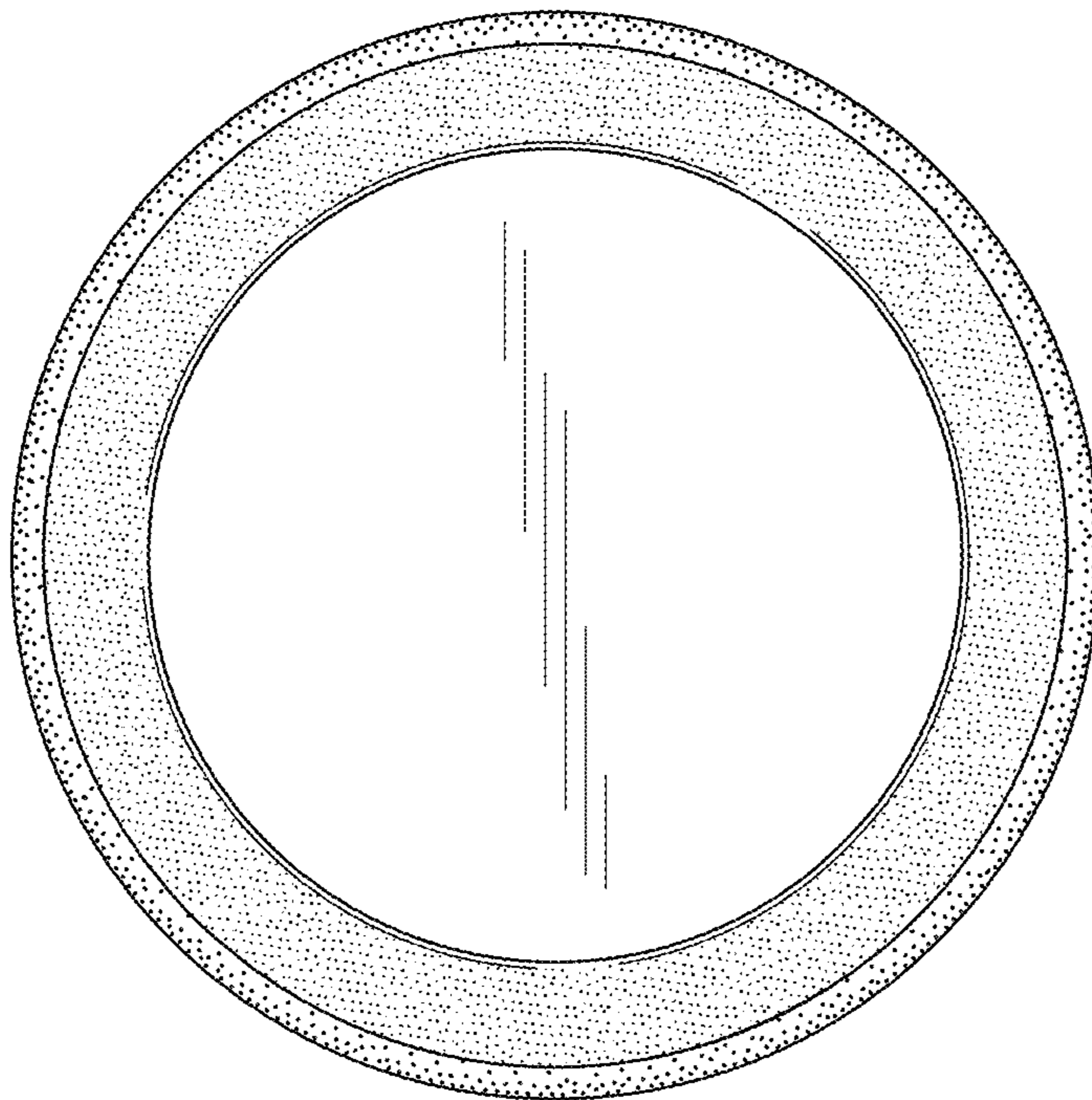


FIG. 6