



US00D752395S

(12) **United States Design Patent**
Chen

(10) **Patent No.:** **US D752,395 S**
(45) **Date of Patent:** **** Mar. 29, 2016**

(54) **HOLDER FOR CUP-SHAPED CAPSULES**

(71) Applicant: **Fang Yin Chen**, Taichung (TW)

(72) Inventor: **Fang Yin Chen**, Taichung (TW)

(**) Term: **14 Years**

(21) Appl. No.: **29/501,399**

(22) Filed: **Sep. 3, 2014**

(51) **LOC (10) Cl.** **07-06**

(52) **U.S. Cl.**
USPC **D7/600.1**; D6/675.2; D7/704

(58) **Field of Classification Search**
USPC D6/558, 566, 629, 630, 675.2, 676.5,
D6/677.5; D7/600.1-600.4, 601, 602, 678,
D7/690, 693, 704; D19/75, 86, 90, 91,
D19/100; D32/55; 206/202, 456, 558, 564;
211/41.11, 85.31; 220/23.4
CPC A47B 43/00; A47B 45/00; A47B 47/03;
A47B 55/02; A47B 73/00; A47B 96/02;
A47B 97/00; A47F 5/0876; A47F 7/28;
A47G 19/08; A47G 29/00; B65D 75/00;
G02B 21/34
See application file for complete search history.

(56) **References Cited**

U.S. PATENT DOCUMENTS

| | | | | |
|--------------|---------|------------|-------|----------|
| D282,797 S * | 3/1986 | Dixon | | D6/675.2 |
| D329,954 S * | 10/1992 | Sharon | | D6/675.5 |
| D362,756 S * | 10/1995 | Finger | | D6/317 |
| D443,791 S * | 6/2001 | Martino | | D6/630 |
| D444,020 S * | 6/2001 | Muth | | D6/630 |
| D514,367 S * | 2/2006 | Dardashti | | D6/630 |
| D521,303 S * | 5/2006 | Yu | | D6/630 |
| D534,374 S * | 1/2007 | Wright | | D6/566 |
| D555,203 S * | 11/2007 | Goodman | | D19/90 |
| D559,024 S * | 1/2008 | Tau | | D6/566 |
| D568,056 S * | 5/2008 | Yarborough | | D6/315 |
| D572,939 S * | 7/2008 | Murray | | D6/678.4 |

| | | | | |
|--------------|---------|---------|-------|----------|
| D588,378 S * | 3/2009 | Goodman | | D7/704 |
| D704,483 S * | 5/2014 | Dryden | | D6/675.2 |
| D715,103 S * | 10/2014 | Chen | | D7/600.1 |

OTHER PUBLICATIONS

Organize-It, Pot Lid Rack, publication date unknown, [site visited Dec. 16, 2015], Available from the Internet, URL: <<http://www.organizeit.com/pot-lid-rack.asp>>.*

NesCafe Dolce Gusto, Swing Metal Capsule Holder, publication date unknown, [site visited Dec. 29, 2015], Available from the Internet, URL: <<https://www.dolce-gusto.com.sg/accessories/capsule-holders/swing-metal>>.*

* cited by examiner

Primary Examiner — Jeffrey D Asch

Assistant Examiner — Bryan Reinholdt, Jr.

(74) *Attorney, Agent, or Firm* — Raymond Y. Chan; David and Raymond Patent Firm

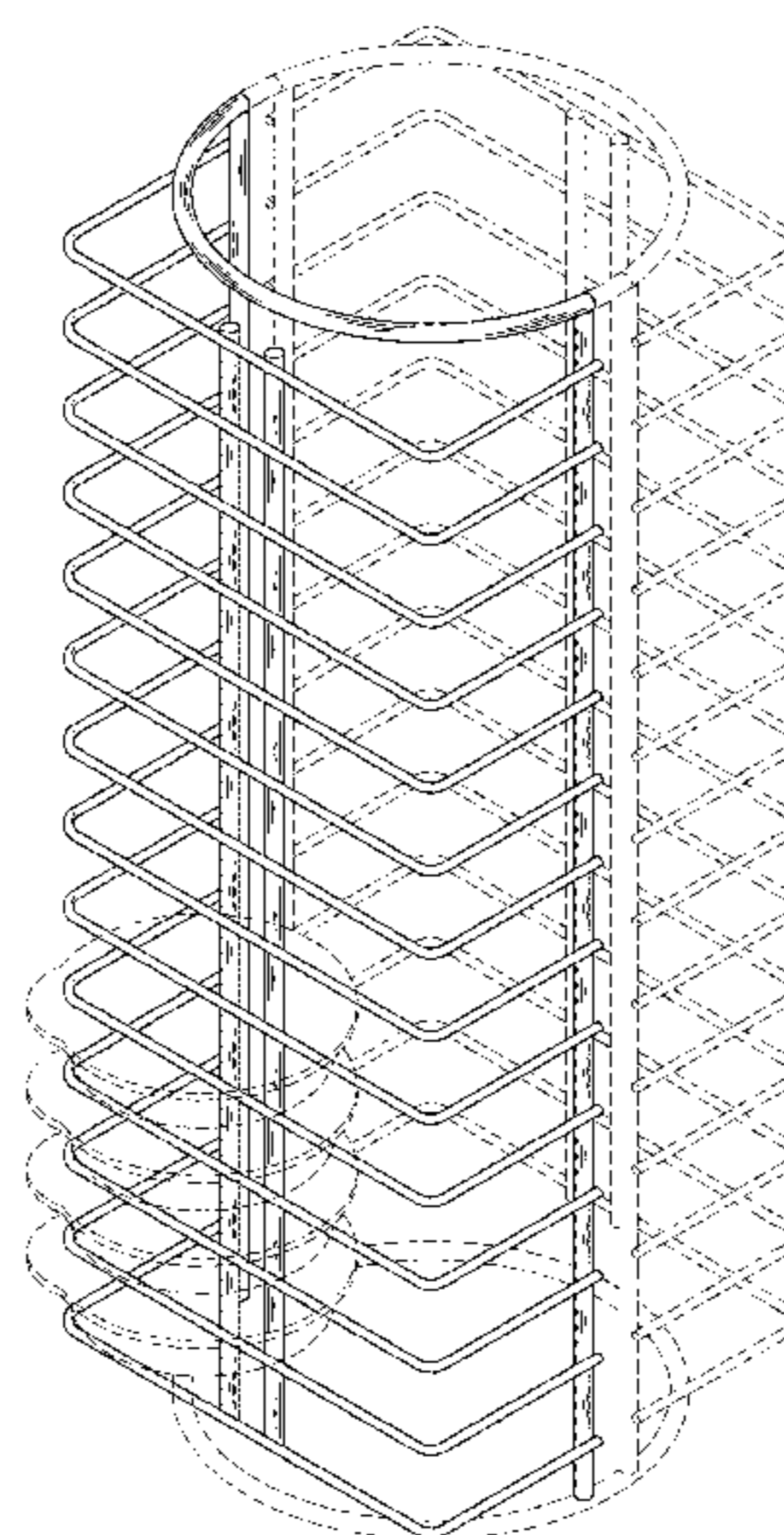
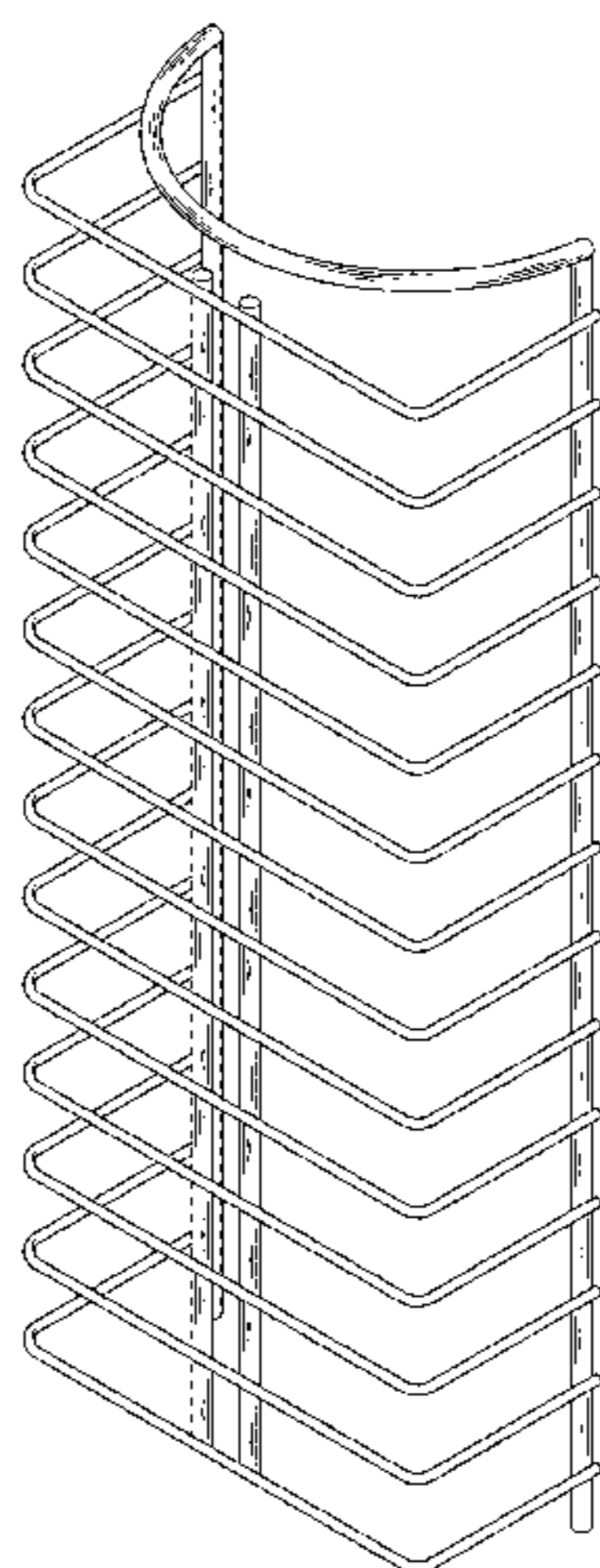
(57) **CLAIM**

The ornamental design for a holder for cup-shaped capsules, as shown and described.

DESCRIPTION

FIG. 1 is a perspective view of holder for cup-shaped capsules showing my new design;
FIG. 2 is a front view thereof;
FIG. 3 is a rear view thereof;
FIG. 4 is a right view thereof;
FIG. 5 is a left view thereof;
FIG. 6 is a top view thereof;
FIG. 7 is a bottom view thereof;
FIG. 8 is a perspective view showing, in broken lines, cup-shaped capsules on the holder; and,
FIG. 9 is an alternative perspective view showing, in broken lines, cup-shaped capsules and additional holder elements.
The broken lines in the drawing are included for the purpose of illustrating environment that forms no part of the claimed design.

1 Claim, 9 Drawing Sheets



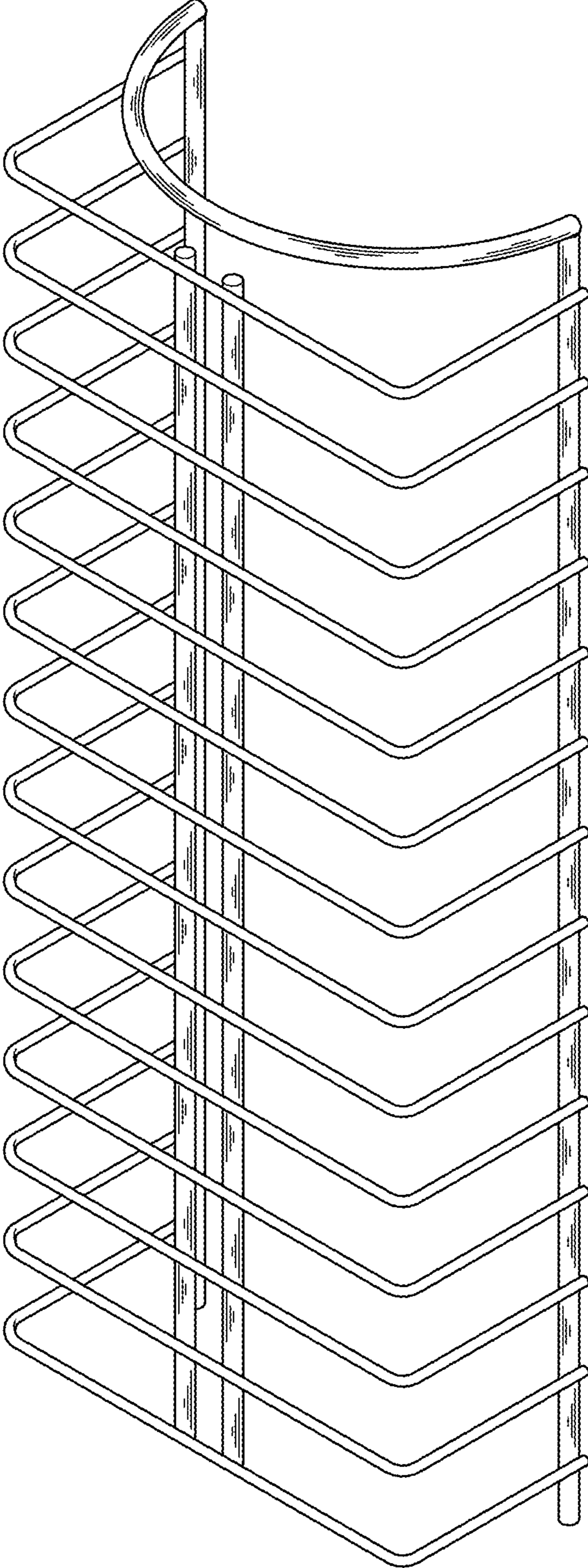


FIG.1

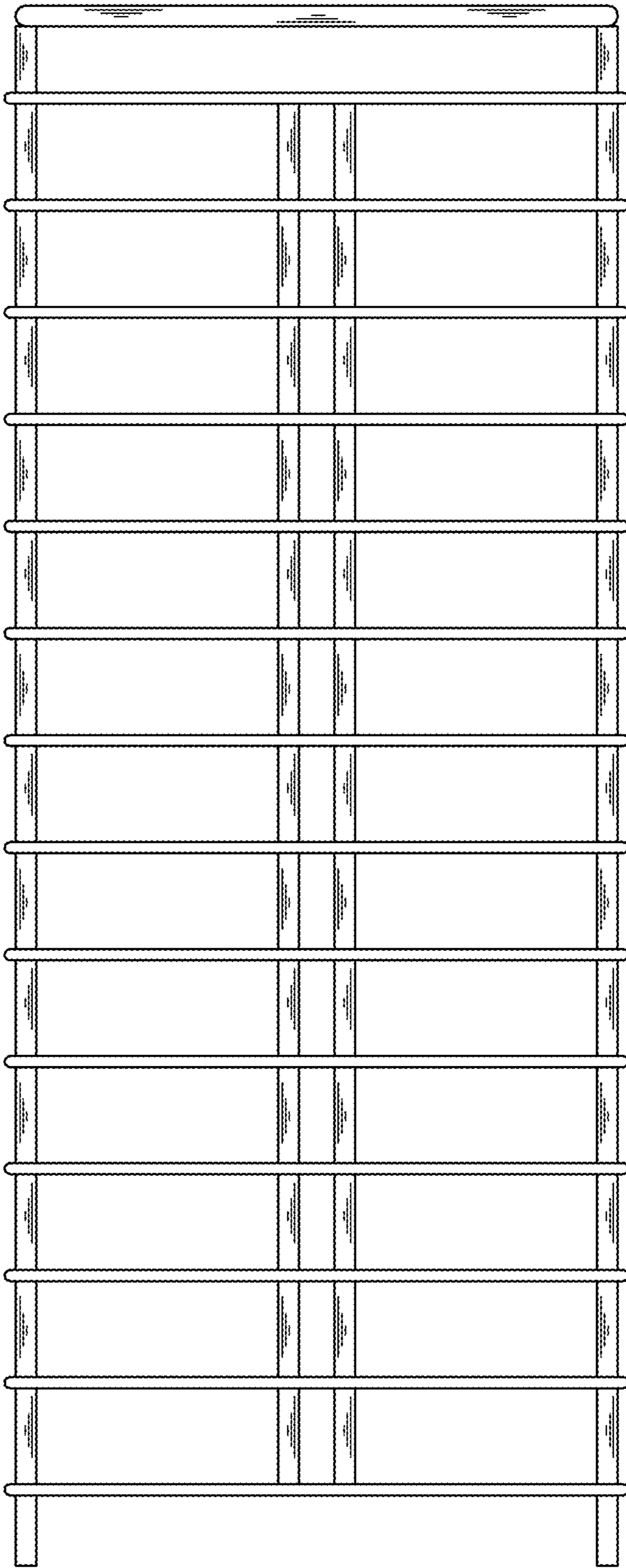


FIG.2

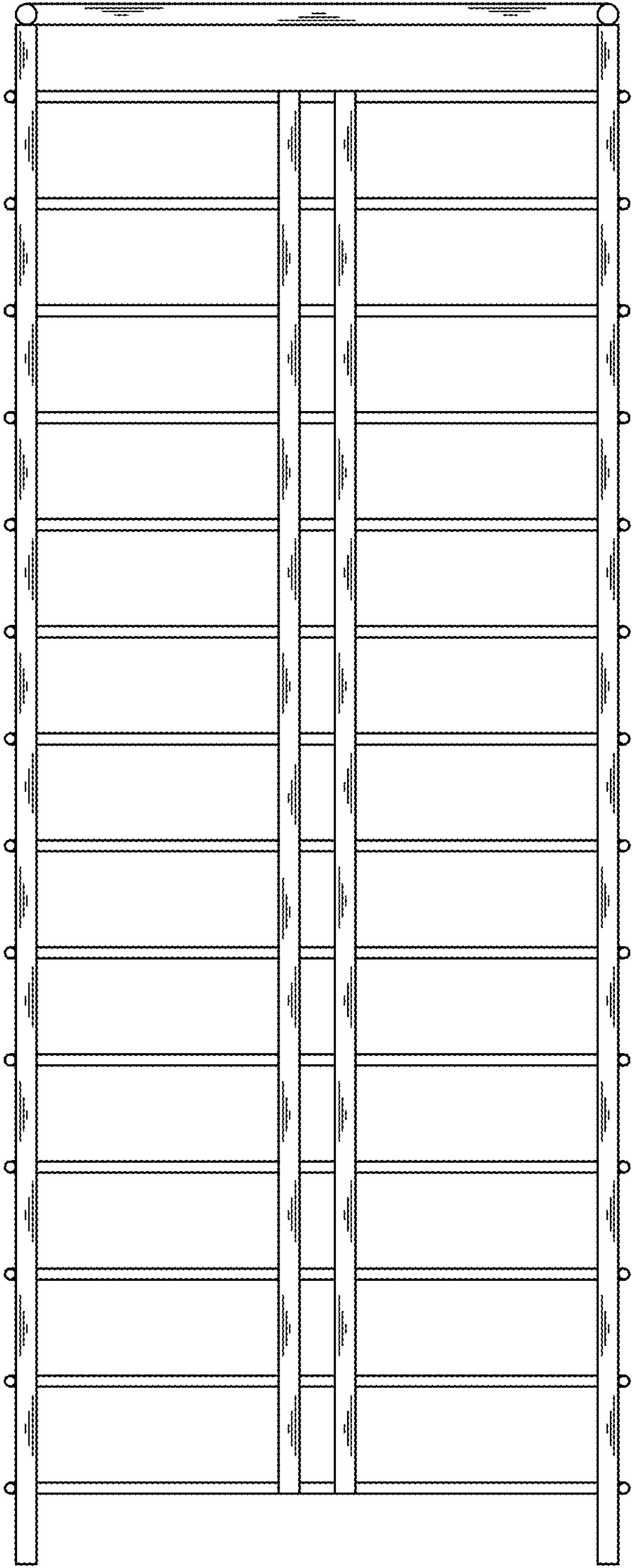


FIG.3

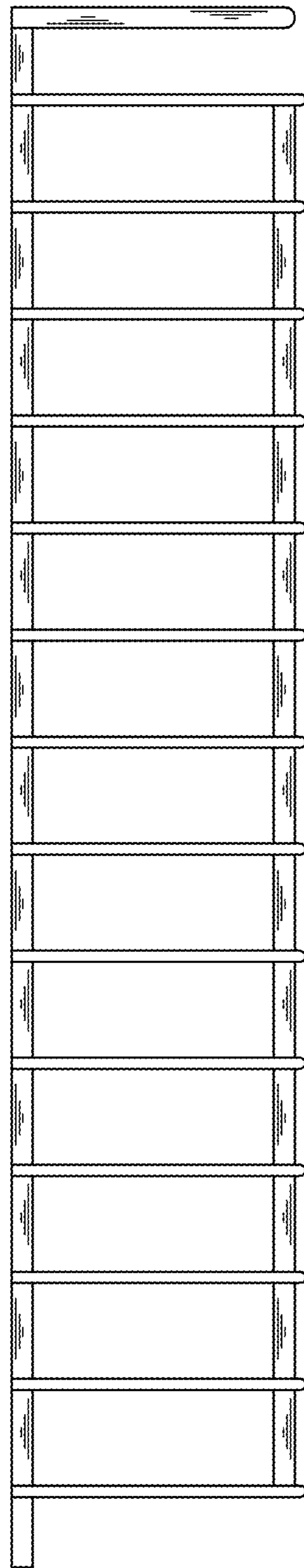


FIG.4

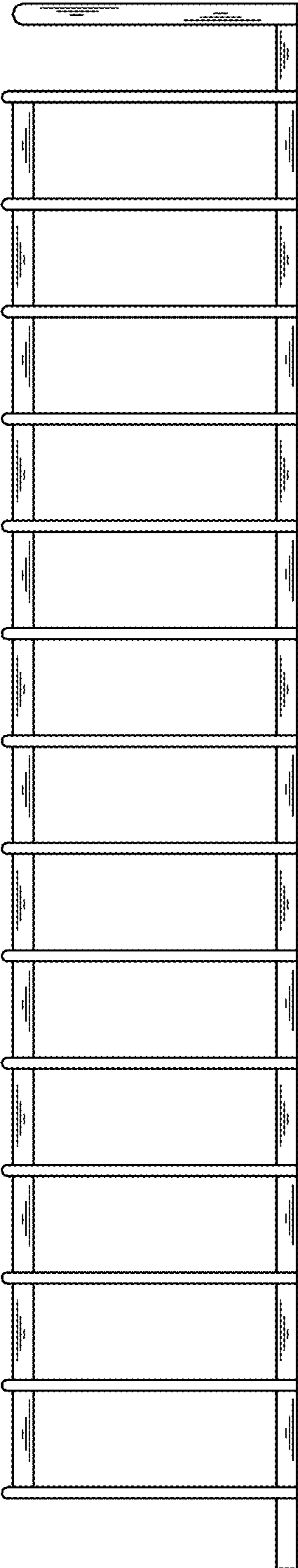


FIG.5

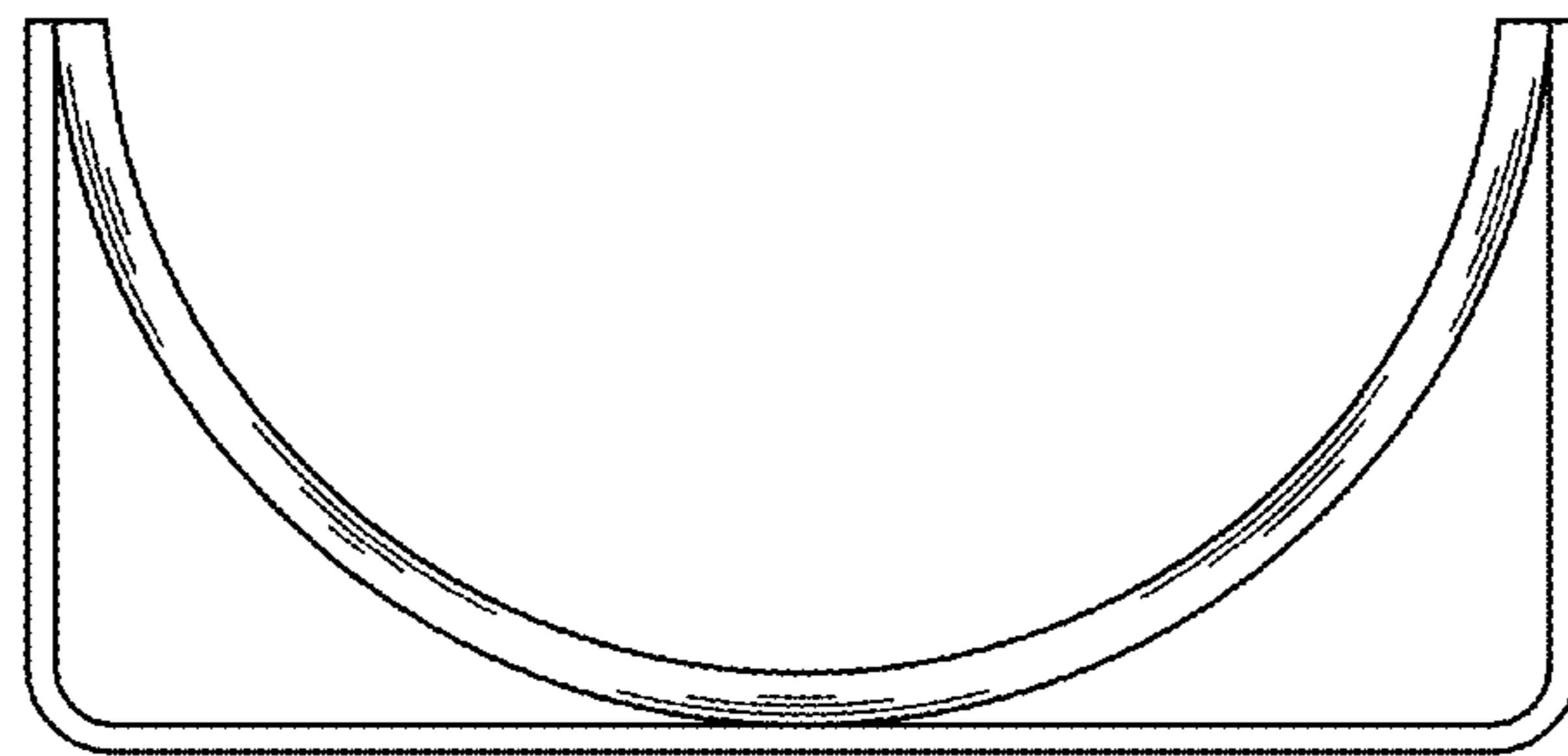


FIG.6

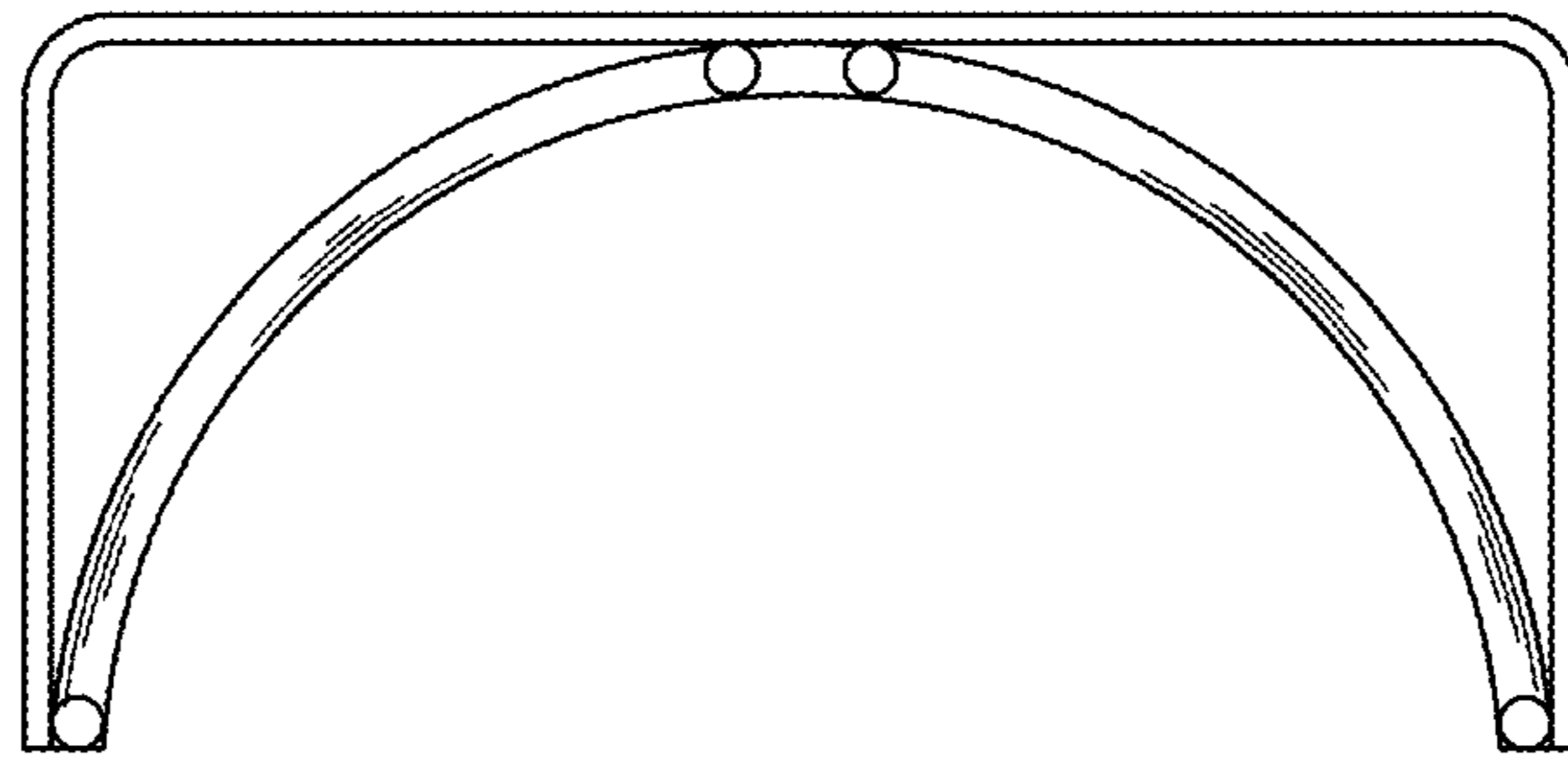


FIG.7

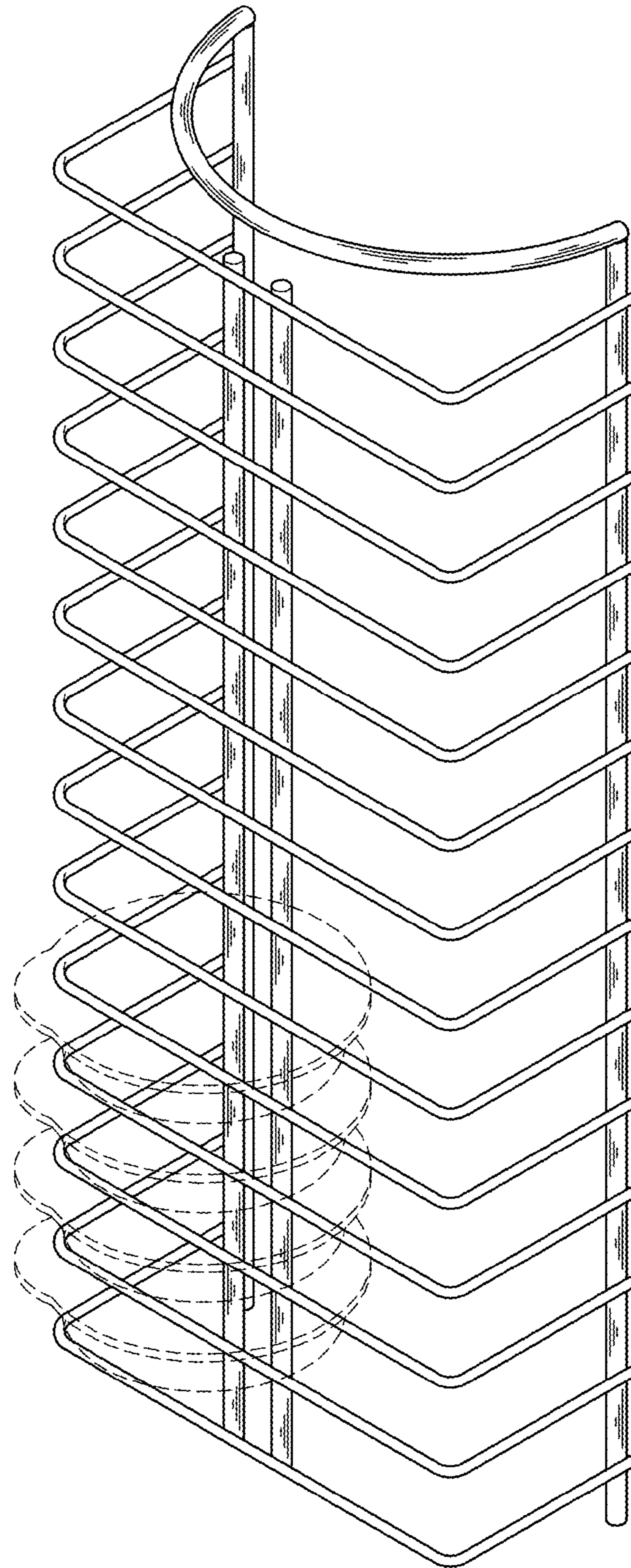


FIG. 8

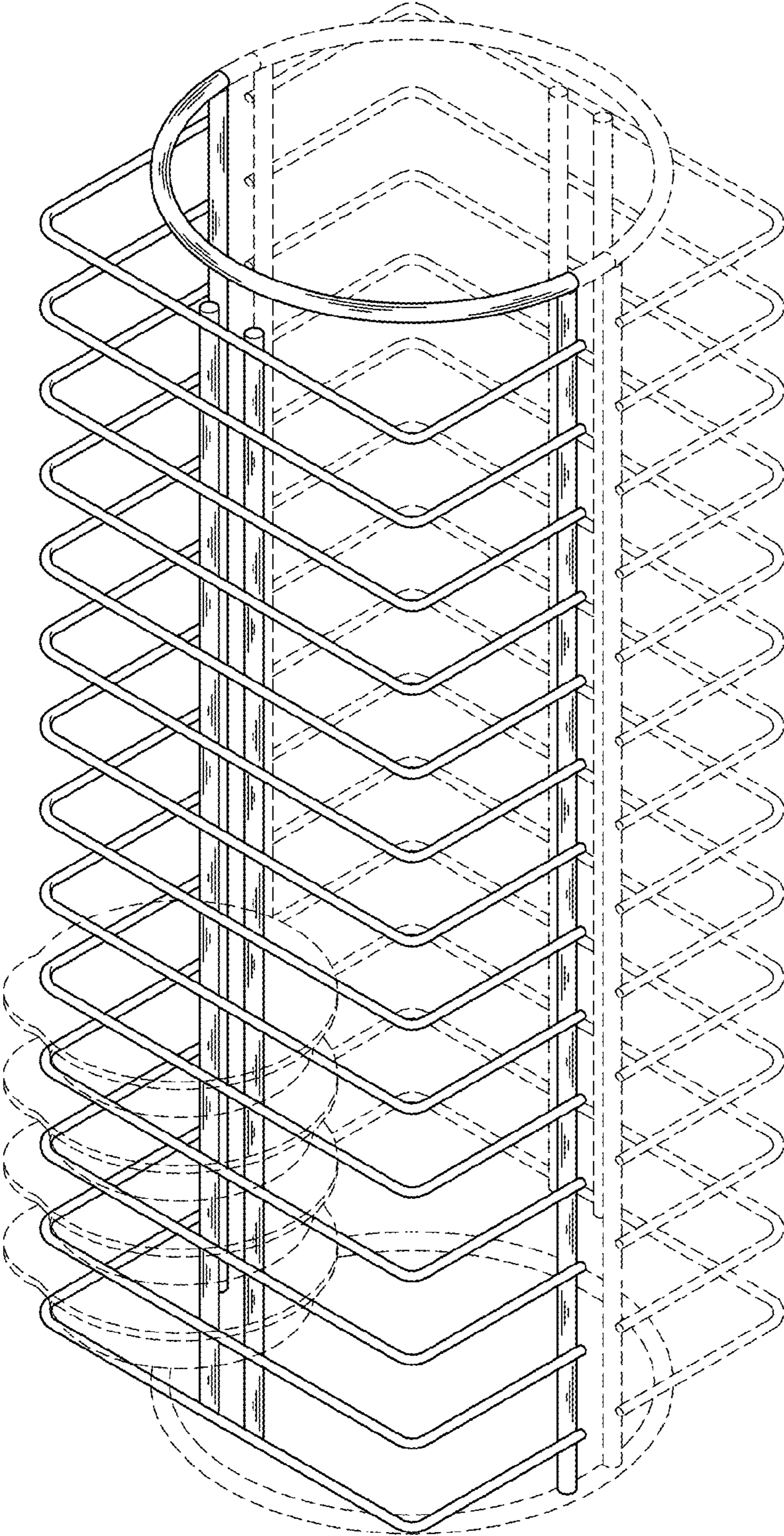


FIG.9