



US00D752392S

(12) **United States Design Patent**  
**Maas et al.**

(10) **Patent No.:** **US D752,392 S**  
(45) **Date of Patent:** **\*\* Mar. 29, 2016**

(54) **SERVING TRAY**

(71) Applicant: **Arrow Plastic Manufacturing Co.**, Elk Grove Village, IL (US)

(72) Inventors: **David Maas**, Wheaton, IL (US); **Robert Kleckauskas**, St. Charles, IL (US); **John P. Coursey**, Chicago, IL (US); **Bruce Ronner**, Glencoe, IL (US); **Rita Sifuentes**, Melrose Park, IL (US); **Valorie Boldrey Langille**, Glen Ellyn, IL (US); **Charles A. Brewer**, St. Charles, IL (US); **Jeffrey M. Fish**, Perrysburg, OH (US); **Kyle Cauwels**, Medinah, IL (US)

(73) Assignee: **Arrow Plastic Manufacturing Co.**, Elk Grove, IL (US)

(\*\*) Term: **14 Years**

(21) Appl. No.: **29/496,227**

(22) Filed: **Jul. 10, 2014**

(51) **LOC (10) Cl.** ..... **07-01**

(52) **U.S. Cl.**  
USPC ..... **D7/553.1**

(58) **Field of Classification Search**  
USPC ..... D7/500, 504, 555, 357, 553.1, 553.6,  
D7/554.2; D9/426; D28/61, 73, 130;  
108/25; 99/426; 211/126.1

See application file for complete search history.

(56) **References Cited**

U.S. PATENT DOCUMENTS

D115,876 S *	7/1939	Deynzer .....	D7/541
2,677,350 A	5/1954	Prestidge et al.	
D199,194 S	9/1964	Patton et al.	
D363,413 S	10/1995	Smith	
D374,151 S	10/1996	Malvasio	
D428,809 S	8/2000	Adair	
D487,860 S	3/2004	Turner	
D490,656 S *	6/2004	Levien .....	D7/554.2
D494,816 S	8/2004	Wiedmeyer et al.	
D527,229 S *	8/2006	Joy .....	D7/637
D537,679 S *	3/2007	Majka .....	D7/566
D541,589 S *	5/2007	Littlejohn et al. ....	D7/549
D545,127 S	6/2007	Fife	
D563,166 S	3/2008	Woolfolk et al.	
D574,187 S	8/2008	Jarratt	
D625,958 S *	10/2010	Deming .....	D7/553.6
D636,226 S *	4/2011	Curtis .....	D7/504
D693,646 S *	11/2013	Katterheinrich et al. ....	D7/555
2004/0222228 A1	11/2004	Price	

\* cited by examiner

*Primary Examiner* — Kelley Donnelly

(74) *Attorney, Agent, or Firm* — Wood, Phillips, Katz, Clark & Mortimer

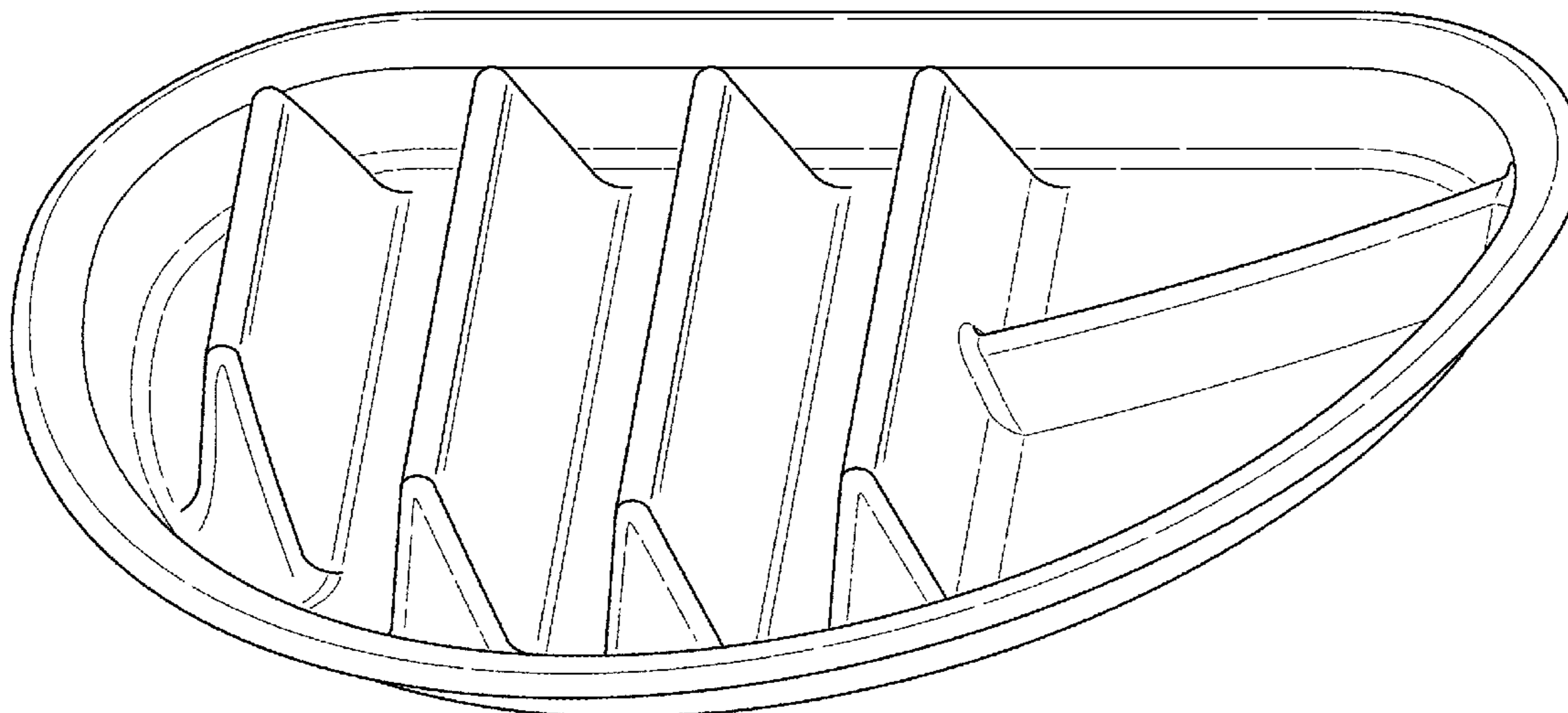
(57) **CLAIM**

The ornamental design for a serving tray, substantially as shown and described.

**DESCRIPTION**

FIG. 1 in a perspective view of the design;  
FIG. 2 is a side elevational view thereof;  
FIG. 3 is an opposite side elevational view thereof;  
FIG. 4 is an end elevational view thereof;  
FIG. 5 is an opposite end elevational view thereof;  
FIG. 6 is a top plan view thereof; and,  
FIG. 7 is a bottom plan view thereof.

**1 Claim, 5 Drawing Sheets**



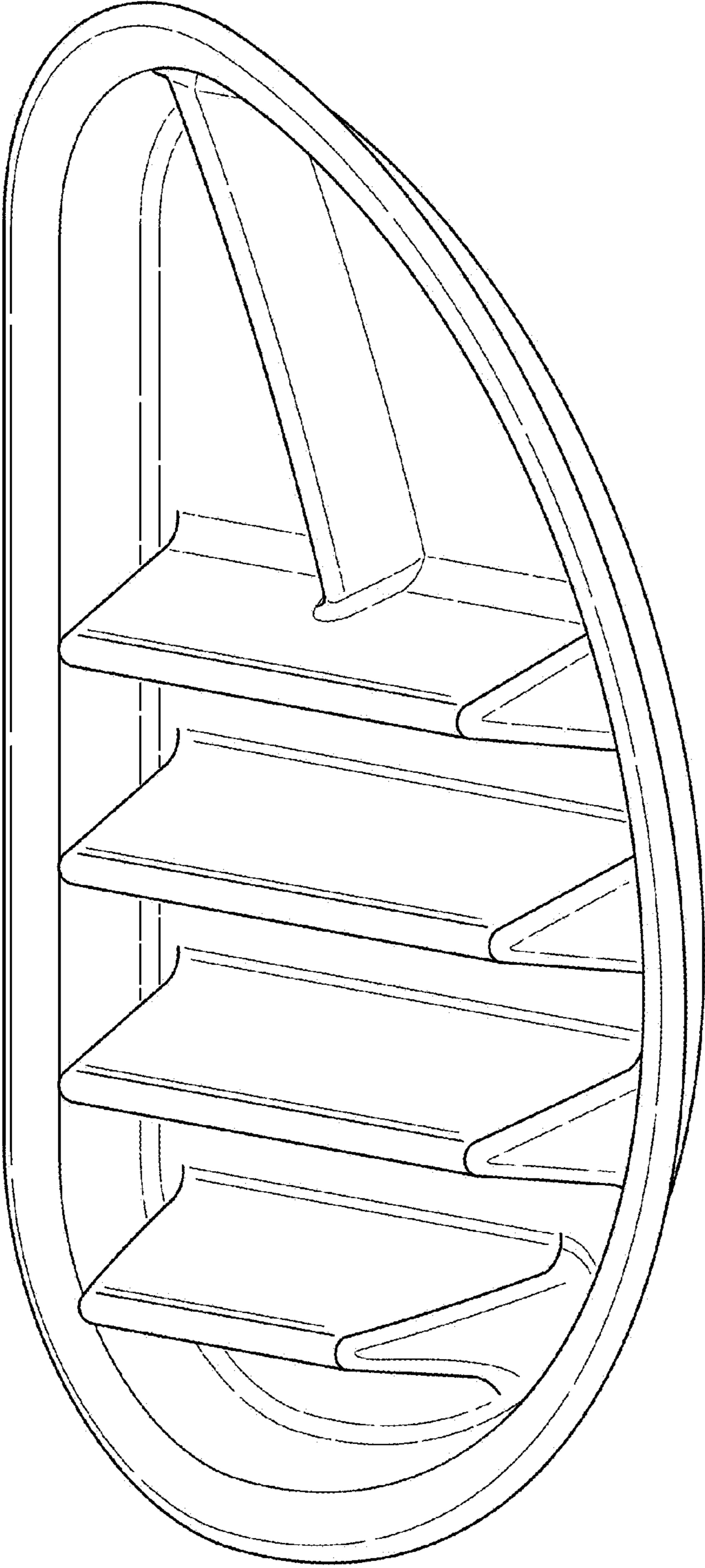


FIG. 1

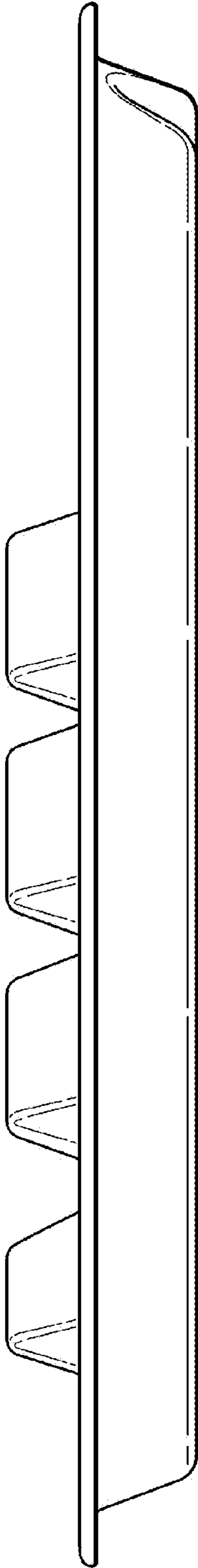


FIG. 2

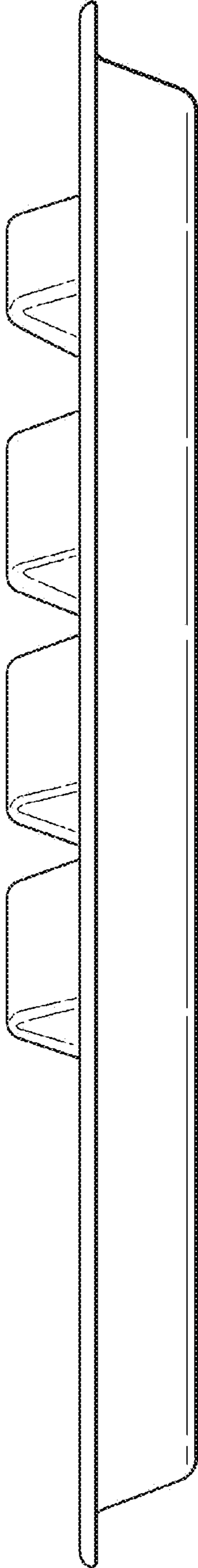


FIG. 3

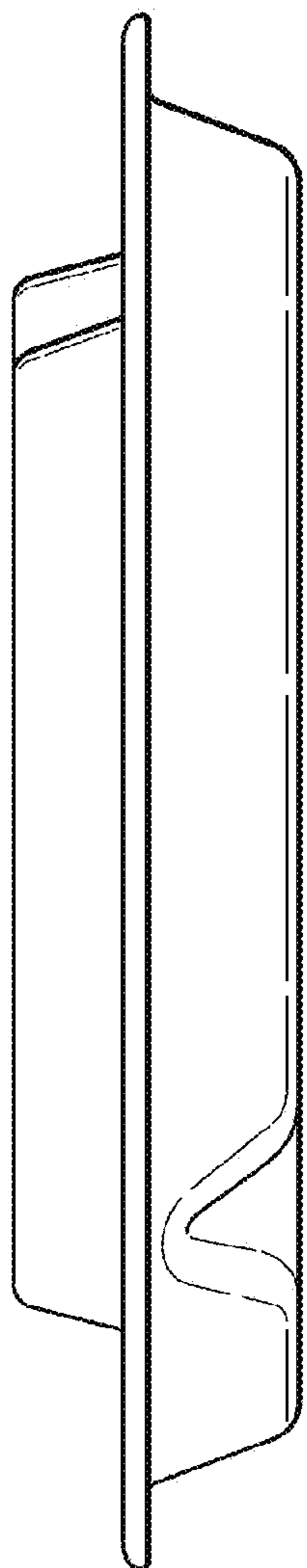


FIG. 4

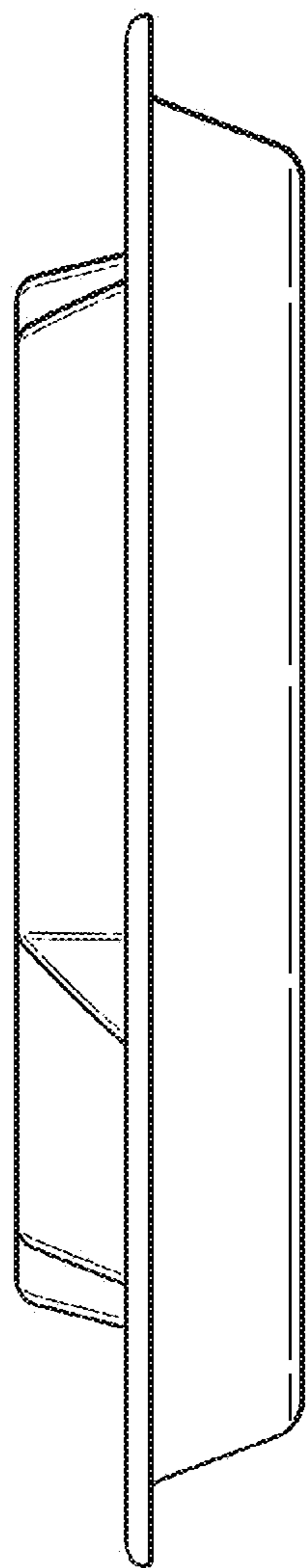


FIG. 5

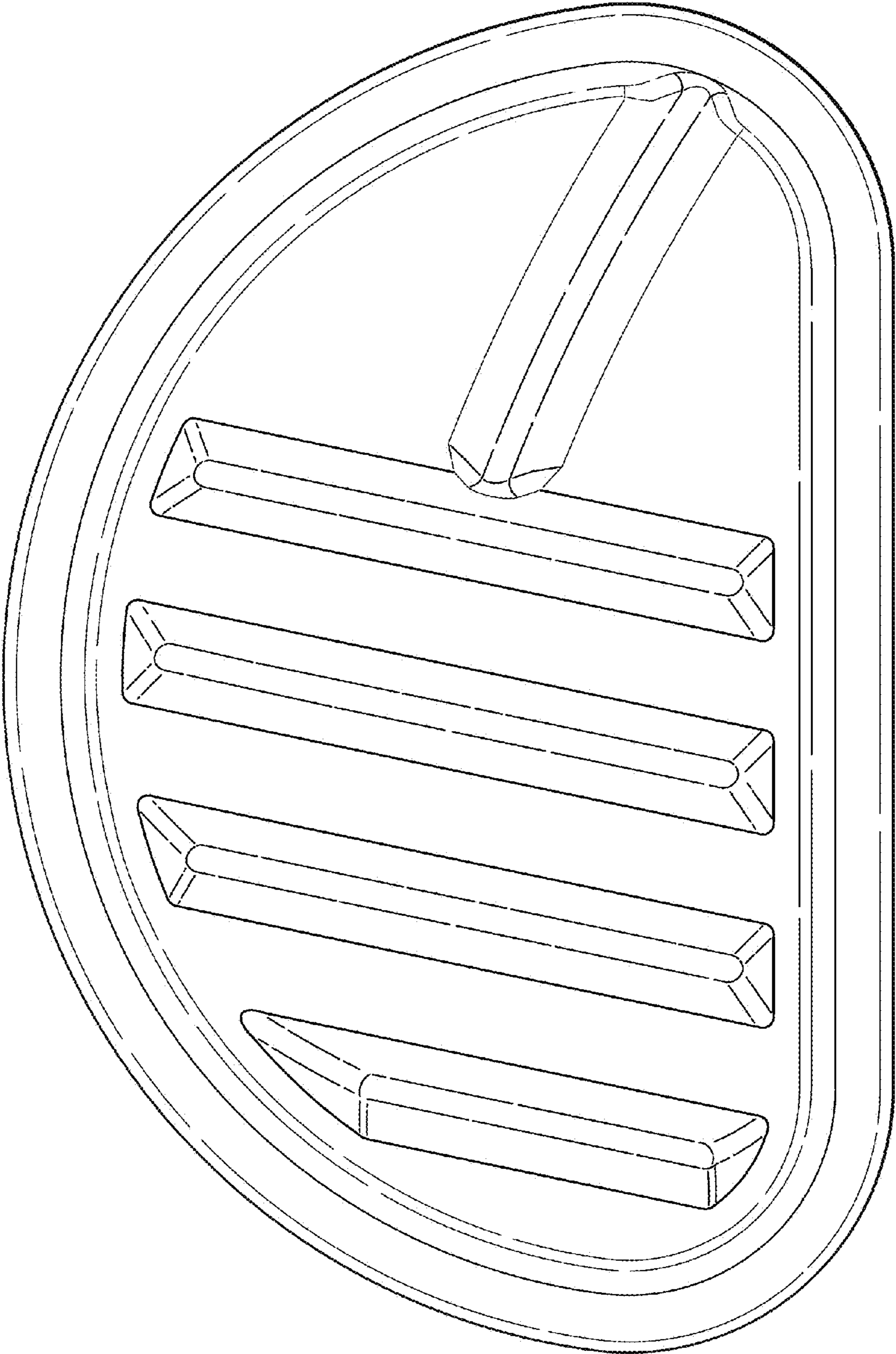


FIG. 6

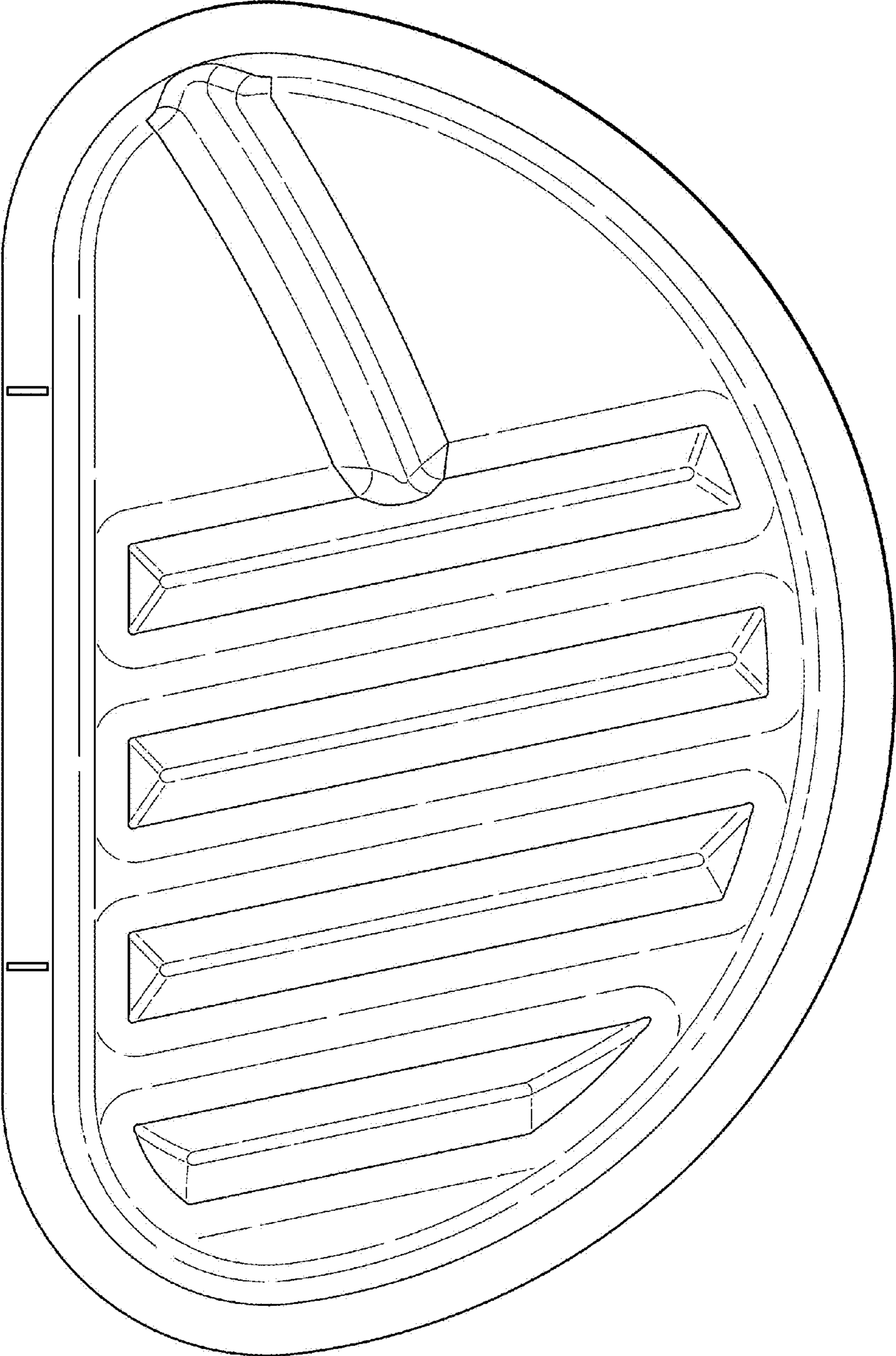


FIG. 7