

US00D752390S

(12) **United States Design Patent**  
**Ksiazek et al.**

(10) **Patent No.:** **US D752,390 S**  
(45) **Date of Patent:** **\*\* Mar. 29, 2016**

(54) **SHAKER BOTTLE**  
(71) Applicant: **O2COOL, LLC**, Chicago, IL (US)  
(72) Inventors: **Michael Ksiazek**, Burr Ridge, IL (US);  
**Lars Junker**, Kowloon (HK)  
(73) Assignee: **O2COOL, LLC**, Chicago, IL (US)  
(\*\*) Term: **15 Years**  
(21) Appl. No.: **29/542,150**  
(22) Filed: **Oct. 12, 2015**  
(51) **LOC (10) Cl.** ..... **07-01**  
(52) **U.S. Cl.**  
USPC ..... **D7/510; D7/511; D7/300.1**  
(58) **Field of Classification Search**  
USPC ..... **D7/300.1, 376, 378, 510, 511, 900;**  
**D9/443, 449, 396.2, 392.1; 220/703,**  
**220/710, 705, 596.16, 592.17**  
CPC ..... **B65D 53/00; B65D 51/16; A47G 19/22**  
See application file for complete search history.

D666,047 S \* 8/2012 Lin ..... D7/300.1  
D677,121 S \* 3/2013 Meyers et al.  
D687,661 S \* 8/2013 Cetera ..... D7/300.1  
D688,520 S \* 8/2013 Lin ..... D7/300.1  
D690,989 S \* 10/2013 Cetera ..... D7/392.1  
D691,849 S \* 10/2013 Cetera ..... D7/392.1  
D696,551 S \* 12/2013 Meyers ..... D7/392.1  
D699,996 S \* 2/2014 De Leo ..... D7/300.1  
D702,489 S \* 4/2014 Steel ..... D7/392  
D702,503 S \* 4/2014 Steel ..... D7/300.1  
D730,694 S \* 6/2015 Elsaden ..... D7/511  
D739,174 S \* 9/2015 Elsaden ..... D7/392.1  
D741,637 S \* 10/2015 Palermo ..... D7/300.1  
D742,230 S \* 11/2015 Charles ..... D7/396.2  
2011/0220674 A1 \* 9/2011 Honeyghan ..... A47G 19/22  
220/849

\* cited by examiner

*Primary Examiner* — Marianne Pandozzi  
(74) *Attorney, Agent, or Firm* — Thompson Coburn LLP

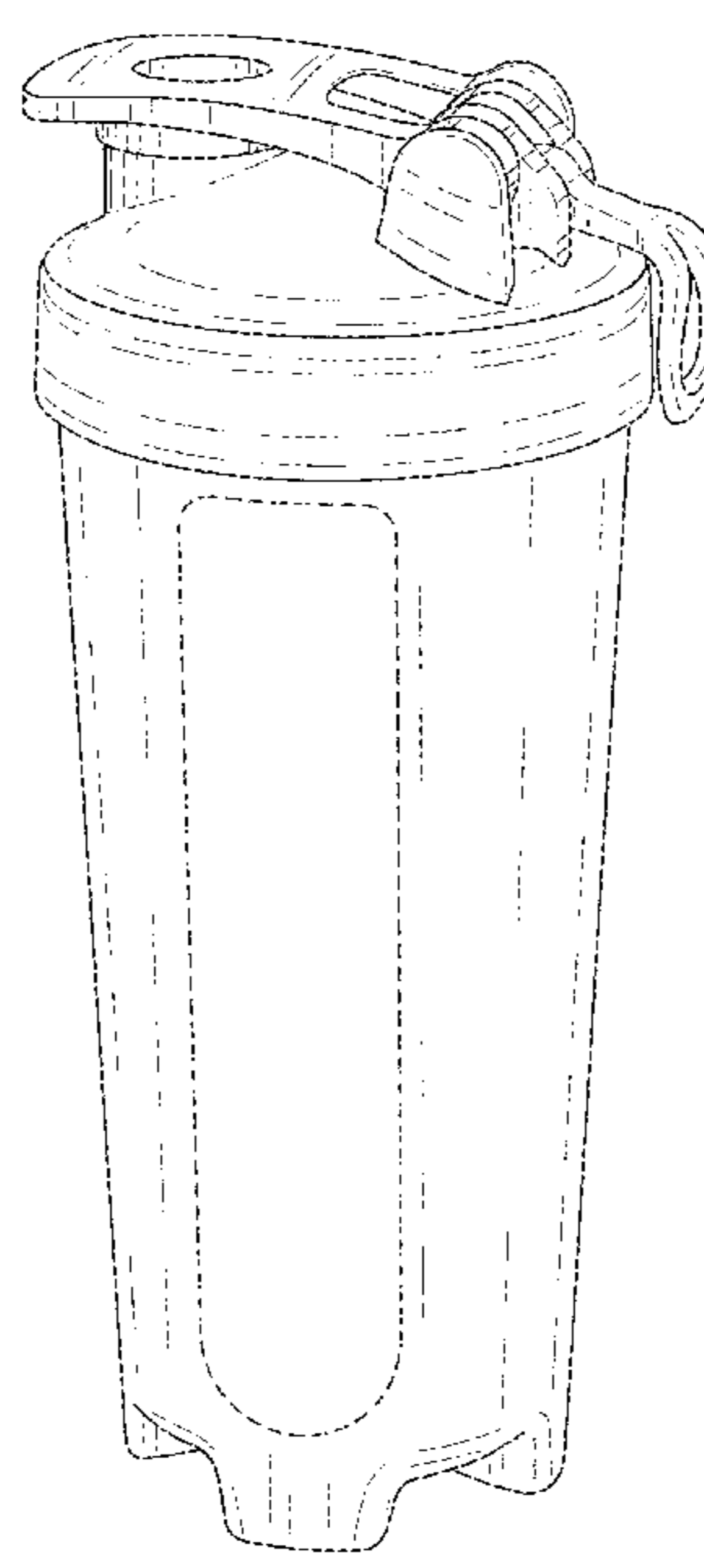
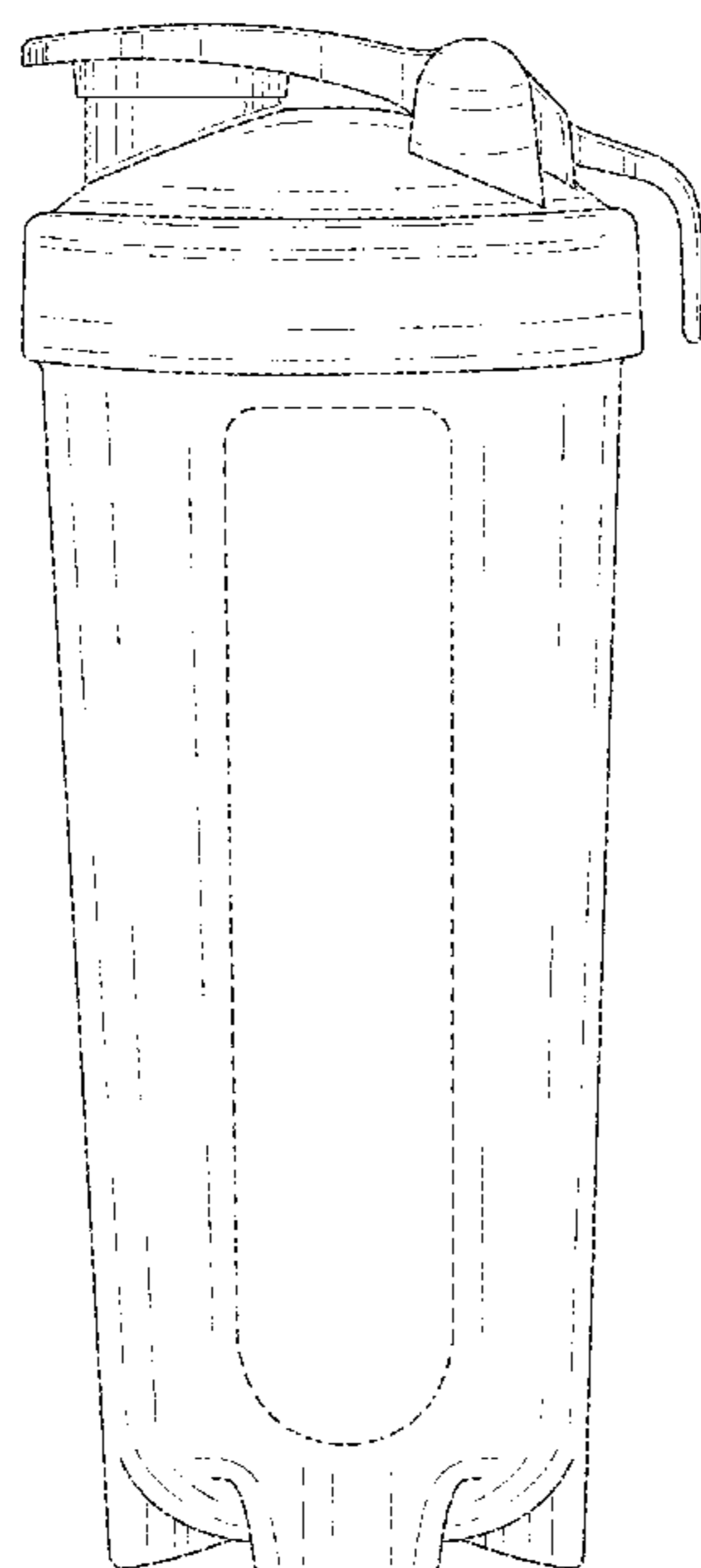
(57) **CLAIM**  
The ornamental design for a shaker bottle, as shown and described.

**DESCRIPTION**

FIG. 1 is a front elevational view of a shaker bottle showing our new design;  
FIG. 2 is a rear elevational view thereof;  
FIG. 3 is a right side elevational view;  
FIG. 4 is a left side elevational view;  
FIG. 5 top plan view thereof;  
FIG. 6 is a bottom plan view thereof;  
FIG. 7 is a front perspective view thereof; and,  
FIG. 8 is a rear perspective view thereof.  
The broken lines in the drawing show unclaimed subject matter and form no part of the claimed design.

**1 Claim, 8 Drawing Sheets**

(56) **References Cited**  
**U.S. PATENT DOCUMENTS**  
D233,116 S 10/1974 Swett et al.  
D510,235 S \* 10/2005 Sorensen ..... D7/510  
D597,365 S \* 8/2009 Oas  
D626,837 S \* 11/2010 Meyers ..... D9/443  
D626,838 S \* 11/2010 Meyers ..... D9/443  
7,866,183 B2 \* 1/2011 Roth ..... A47J 36/2416  
62/457.3  
D632,918 S 2/2011 Gordon  
D644,065 S \* 8/2011 Llerena ..... D7/300.1  
D646,919 S \* 10/2011 Nilsson ..... D7/300.1  
D655,131 S \* 3/2012 Nilsson ..... D7/392.1  
D656,357 S 3/2012 Enghard



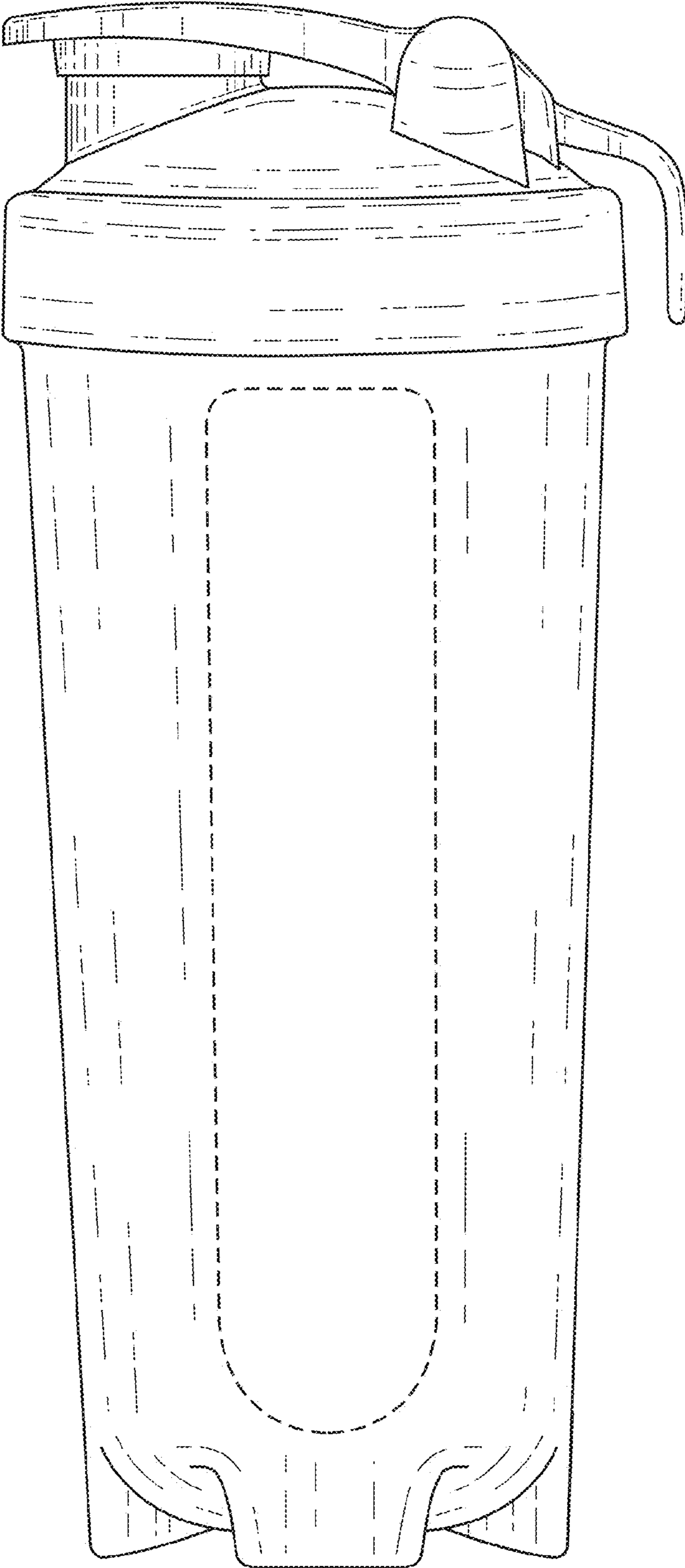


FIG. 1

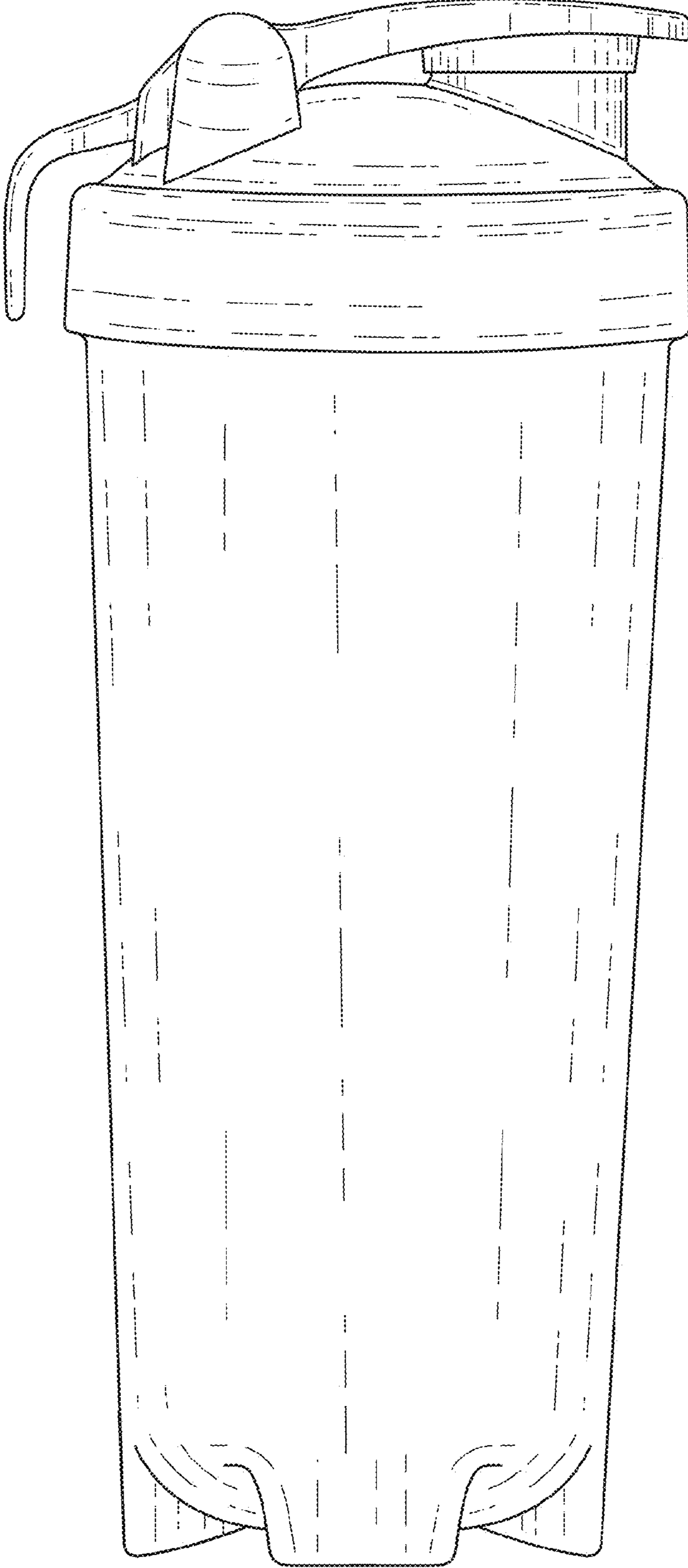


FIG. 2

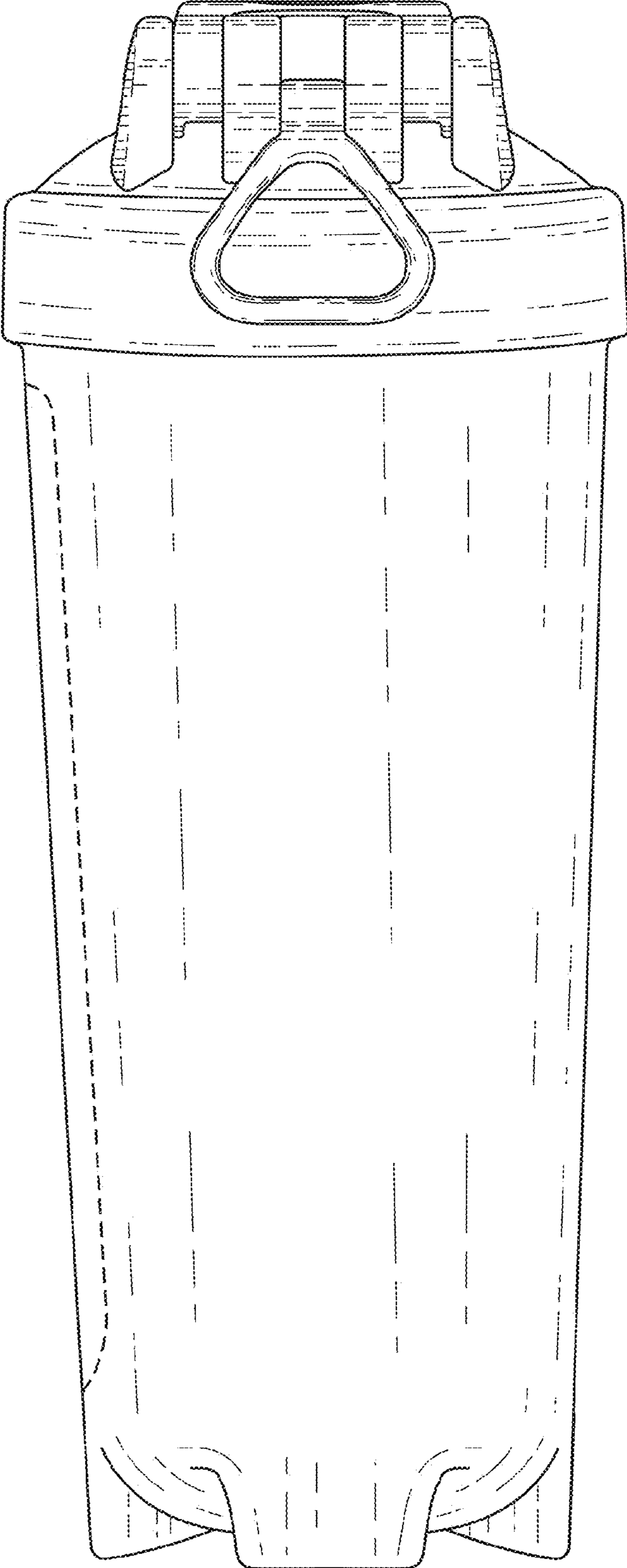


FIG. 3

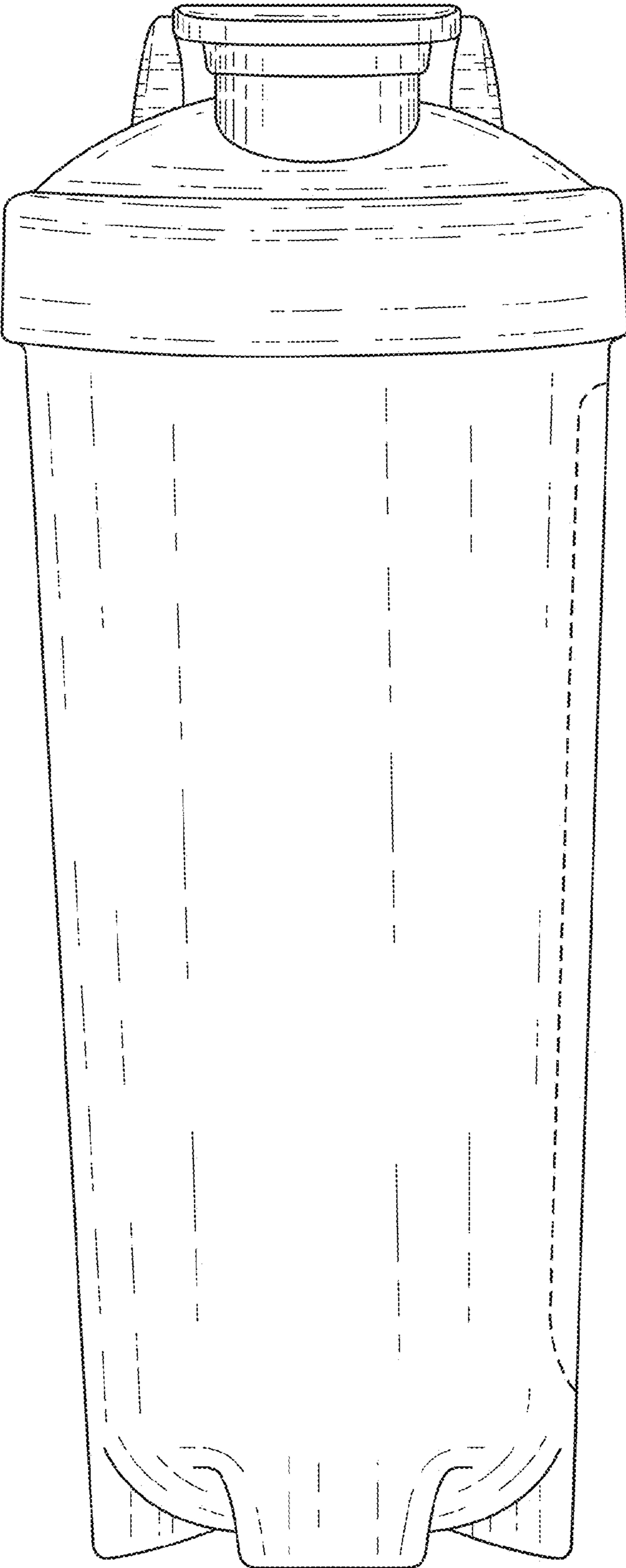


FIG. 4

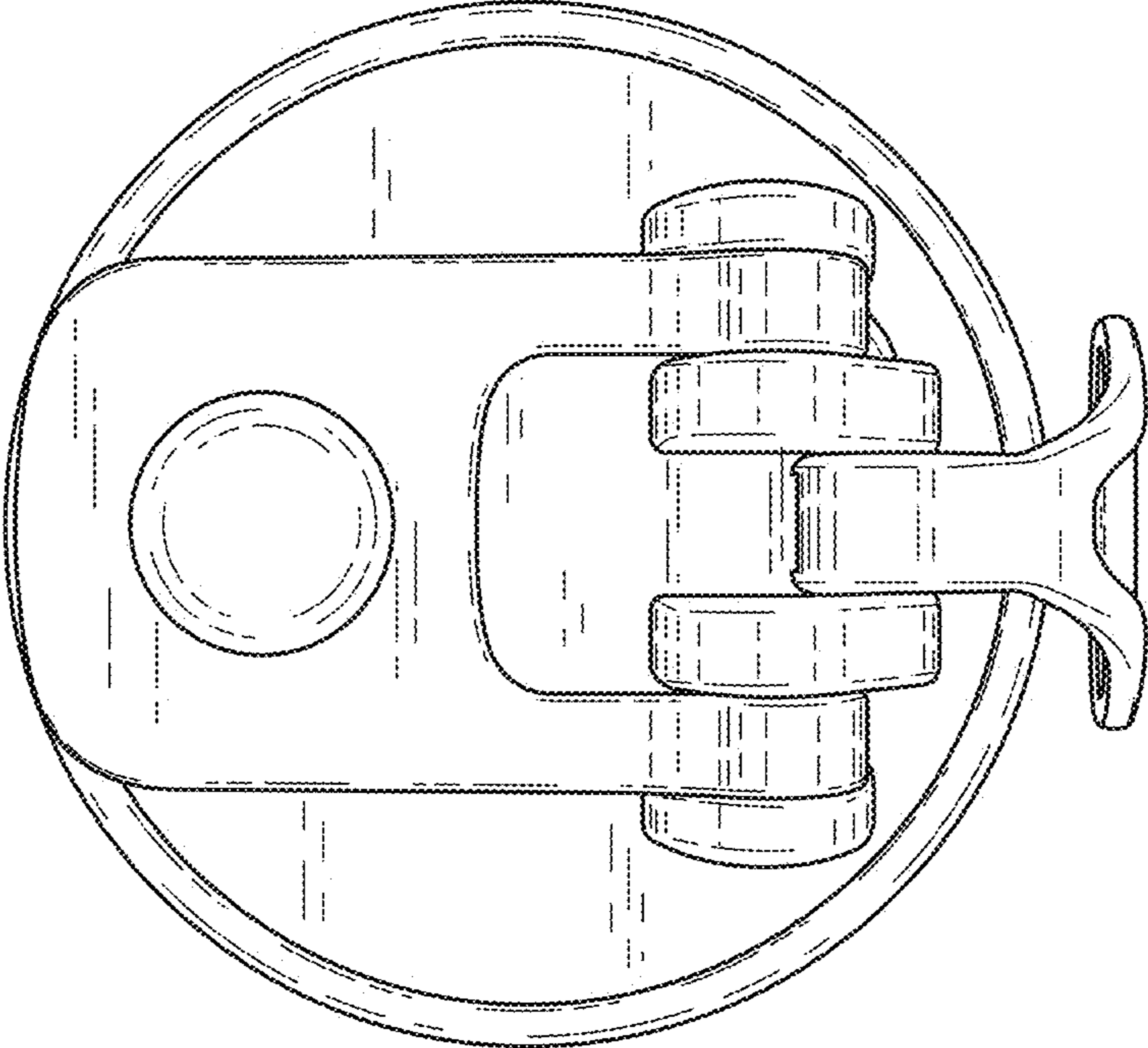


FIG. 5

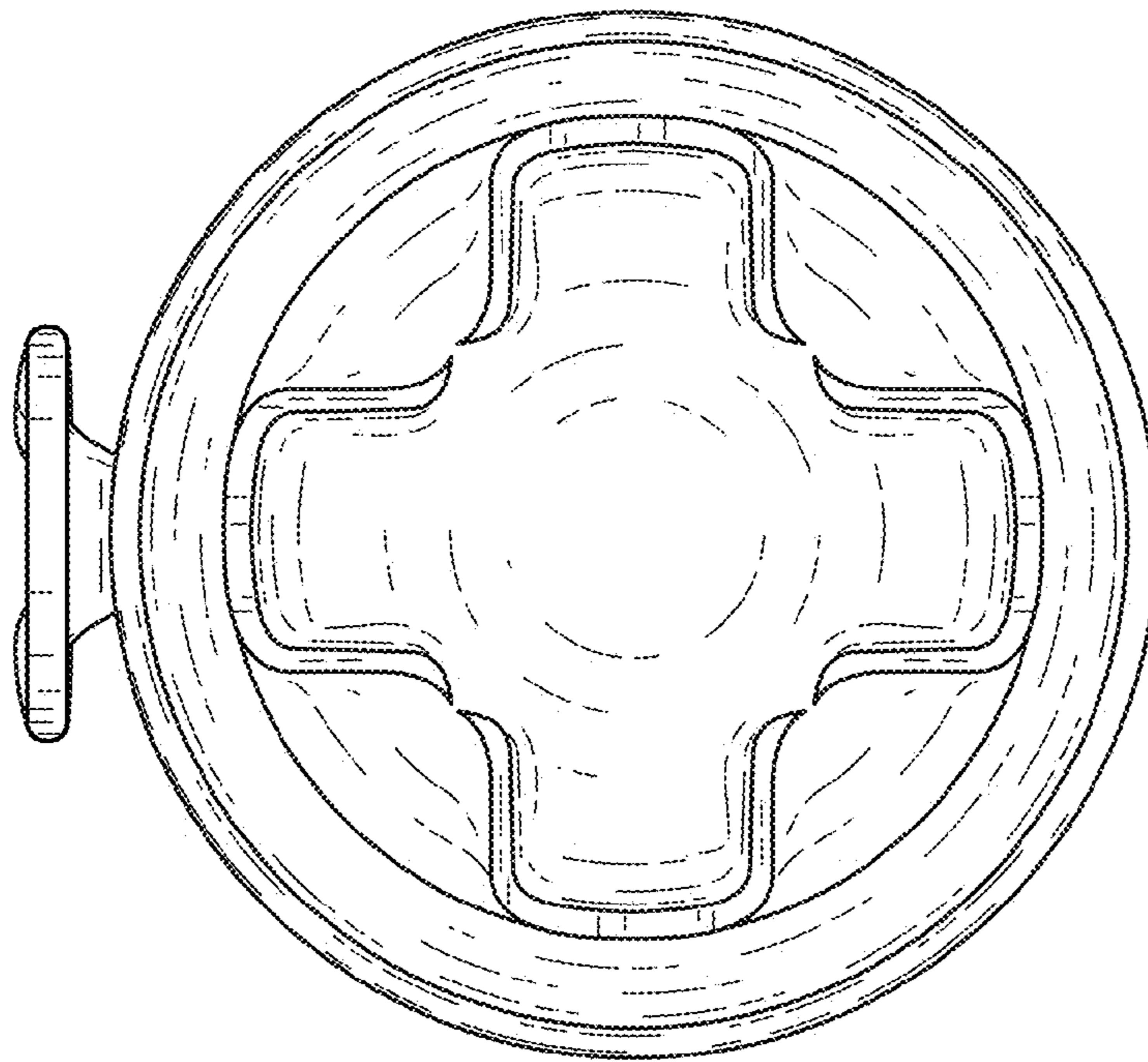


FIG. 6

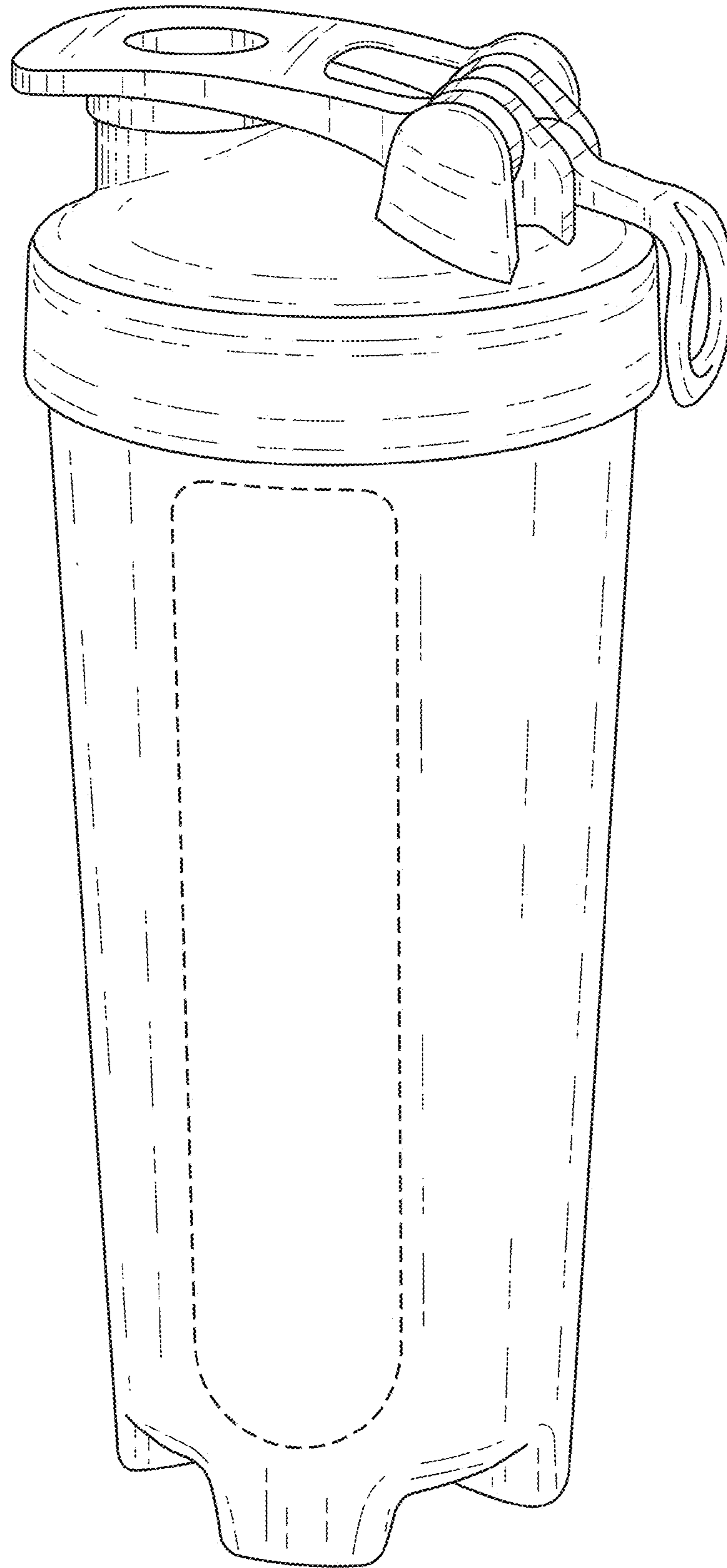


FIG. 7



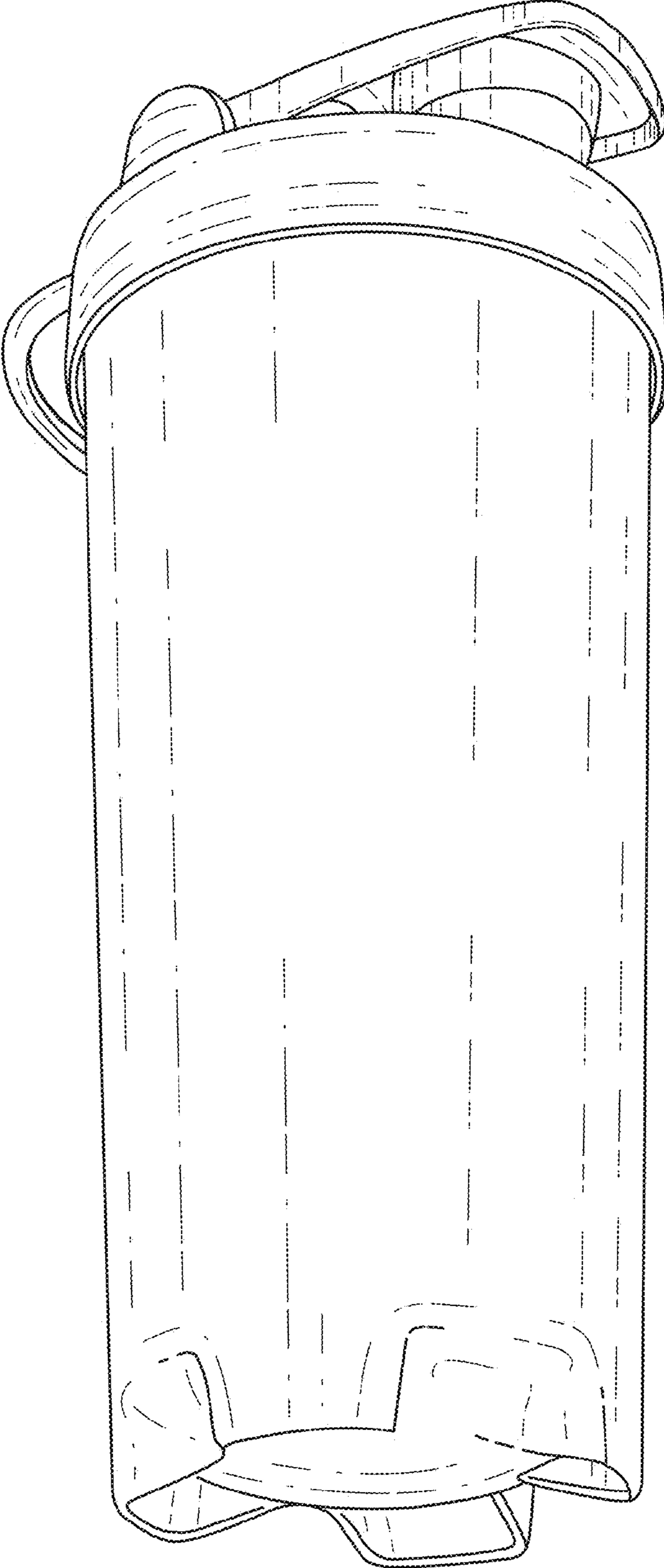


FIG. 8