



US00D752389S

(12) **United States Design Patent**  
**Lee**

(10) **Patent No.:** **US D752,389 S**  
(45) **Date of Patent:** **\*\* Mar. 29, 2016**

(54) **BLADE OF BLENDER**

(71) Applicant: **Wen-Ching Lee**, Taichung (TW)

(72) Inventor: **Wen-Ching Lee**, Taichung (TW)

(\*\*) Term: **14 Years**

(21) Appl. No.: **29/511,275**

(22) Filed: **Dec. 9, 2014**

(30) **Foreign Application Priority Data**

Jun. 9, 2014 (TW) ..... 103303445

(51) **LOC (10) Cl.** ..... **31-00**

(52) **U.S. Cl.**  
USPC ..... **D7/412; D7/376; D7/378**

(58) **Field of Classification Search**  
USPC ..... D7/372, 376-386, 412-413, 602, 629,  
D7/665-666, 669, 679, 693-694  
CPC ..... A21C 1/02; A21C 1/04; A23N 1/00;  
A23N 1/02; A47J 43/04; A47J 43/25; A47J  
43/27; A47J 43/042; A47J 43/044; A47J  
43/046; A47J 43/0465; A47J 43/075; A47J  
43/0711; A47J 43/0722; A47J 43/0727;  
B01F 3/00; B01F 3/0807; B01F 3/0853;  
B01F 7/0025; B01F 7/00475; B01F 13/0059;  
B01F 13/0064; B02C 1/08; B02C 2/04;  
B02C 4/42; B02C 4/142; B02C 4/143; B02C  
13/1835; B28C 5/10; B28C 5/12; B28C 5/14;  
B28C 5/16  
See application file for complete search history.

(56) **References Cited**

U.S. PATENT DOCUMENTS

2,702,571 A \* 2/1955 Murray ..... A47J 43/0465  
241/282.1

3,053,518 A \* 9/1962 Browning ..... B01F 7/00475  
366/265

3,333,831 A \* 8/1967 Chapman ..... B01F 7/0025  
366/129

3,368,800 A \* 2/1968 Barnard, Jr. .... A47J 43/046  
241/282.2

D433,282 S \* 11/2000 Bohannon, Jr. .... D7/412

D488,347 S \* 4/2004 Boozer ..... D7/412

6,974,099 B2 \* 12/2005 Kolar ..... A47J 43/0711  
241/282.1

D513,685 S \* 1/2006 Katz ..... 366/205

7,641,380 B2 \* 1/2010 Behar ..... A47J 43/0722  
241/282.1

D624,359 S \* 9/2010 Schleinzer ..... D7/384

8,056,848 B1 \* 11/2011 Liang ..... A47J 43/0722  
241/282.2

D684,817 S \* 6/2013 Leavitt ..... D7/412

9,186,022 B1 \* 11/2015 Jacobsen ..... A47J 43/046

\* cited by examiner

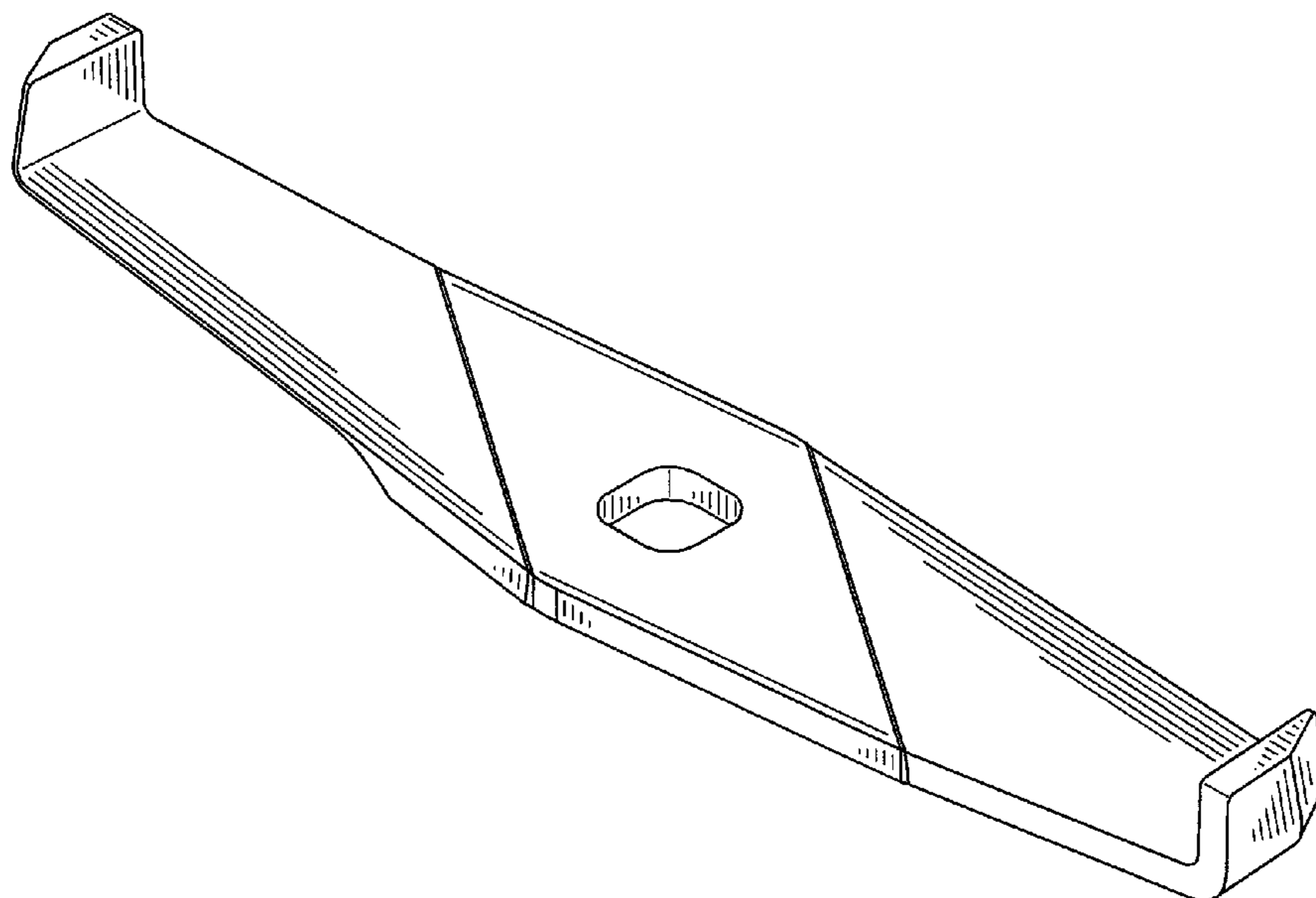
*Primary Examiner* — Ricky Pham  
(74) *Attorney, Agent, or Firm* — Muncy, Geissler, Olds & Lowe, P.C.

(57) **CLAIM**  
The ornamental design for a blade of a blender, as shown.

**DESCRIPTION**

FIG. 1 is a perspective view of the present design;  
FIG. 2 is a front view of the present design;  
FIG. 3 is a rear view of the present design;  
FIG. 4 is a left side view of the present design;  
FIG. 5 is a right side view of the present design;  
FIG. 6 is a top view of the present design; and,  
FIG. 7 is a bottom view of the present design.

**1 Claim, 6 Drawing Sheets**



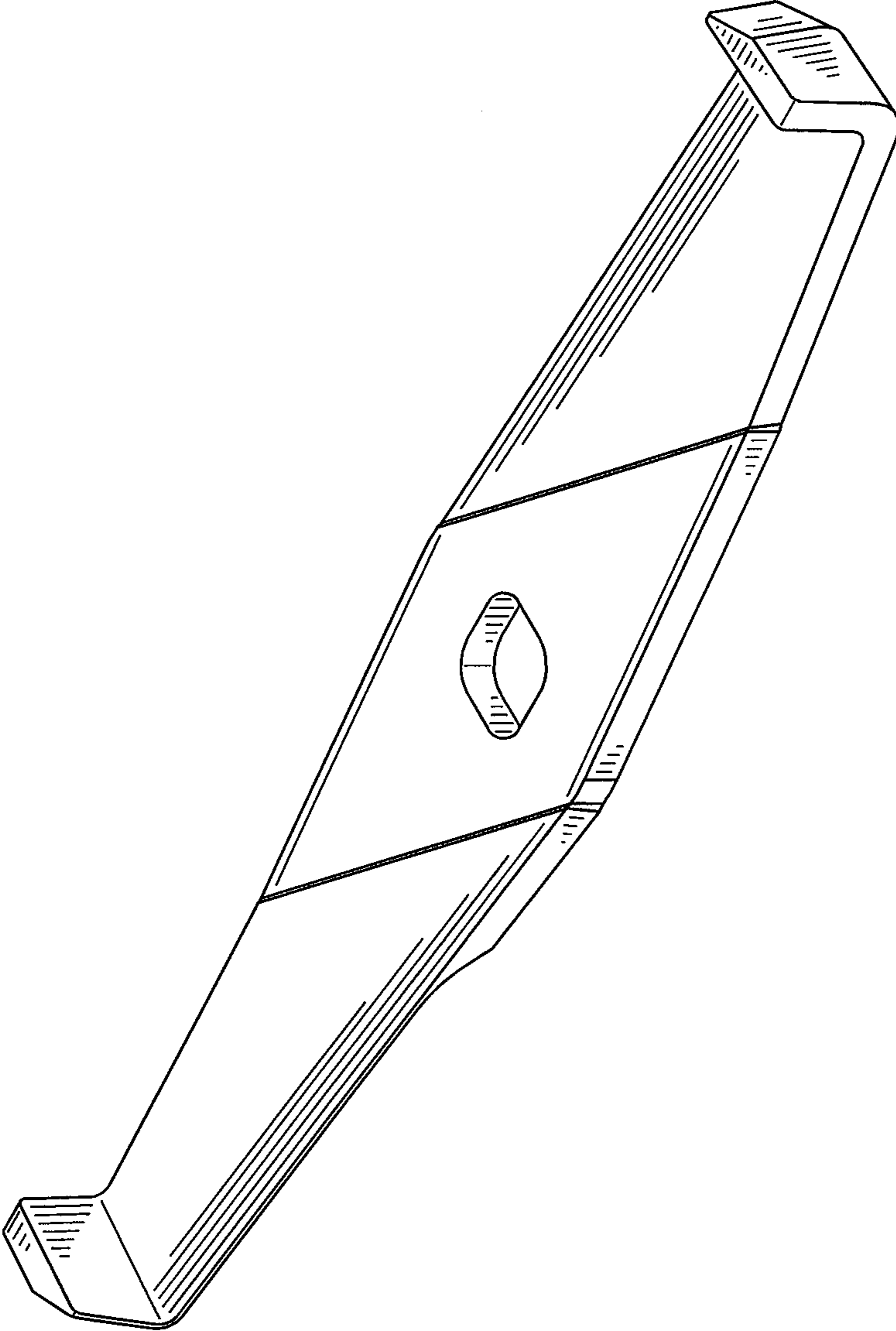


FIG. 1

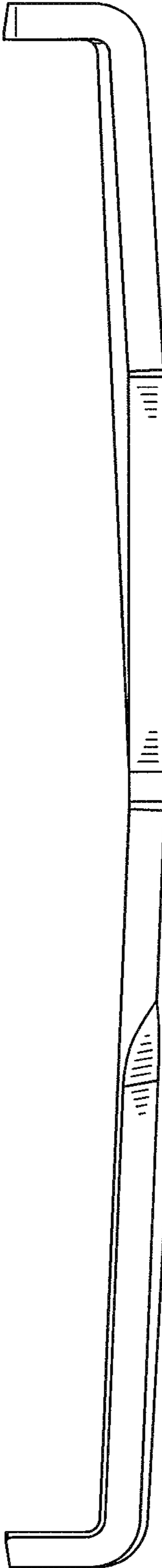


FIG. 2

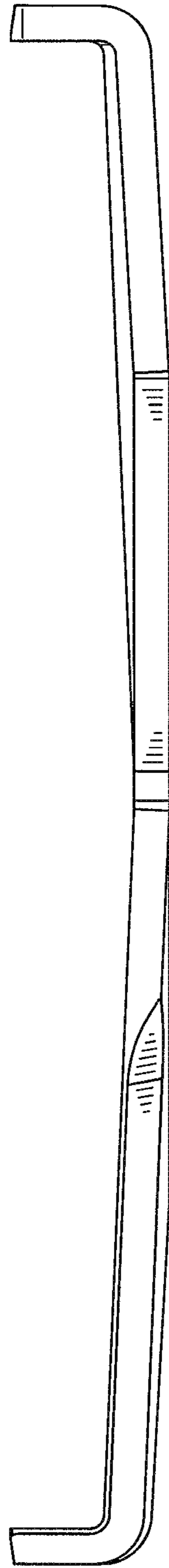


FIG. 3

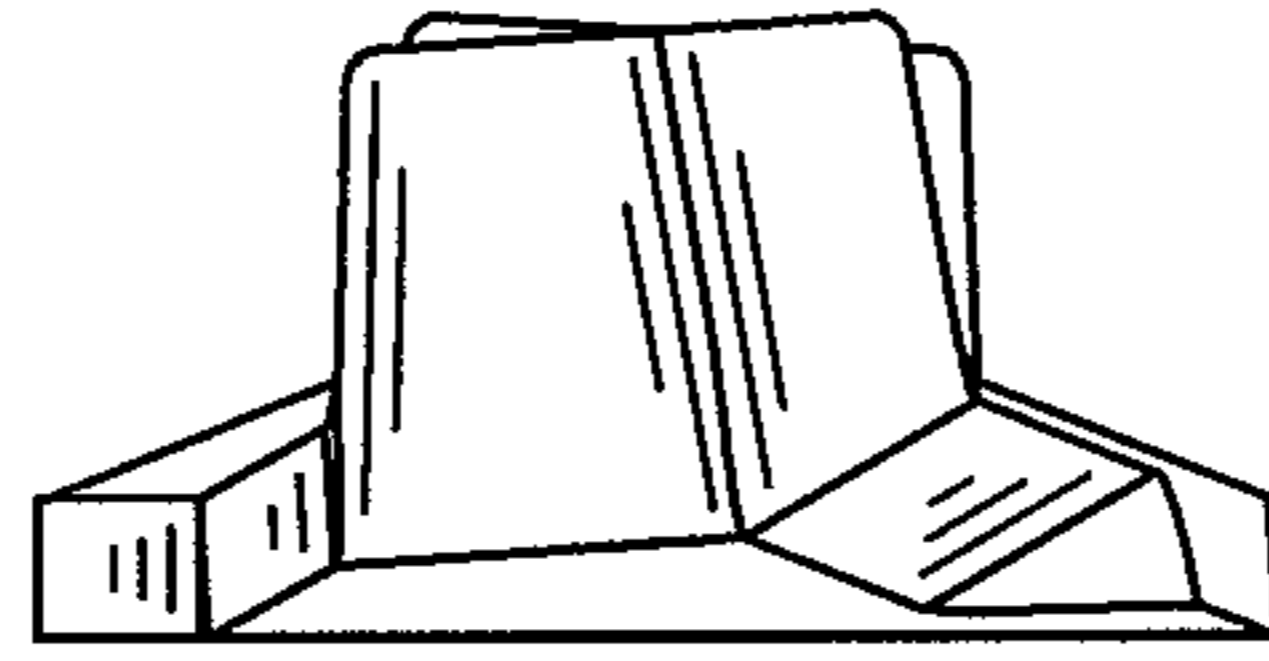


FIG. 4

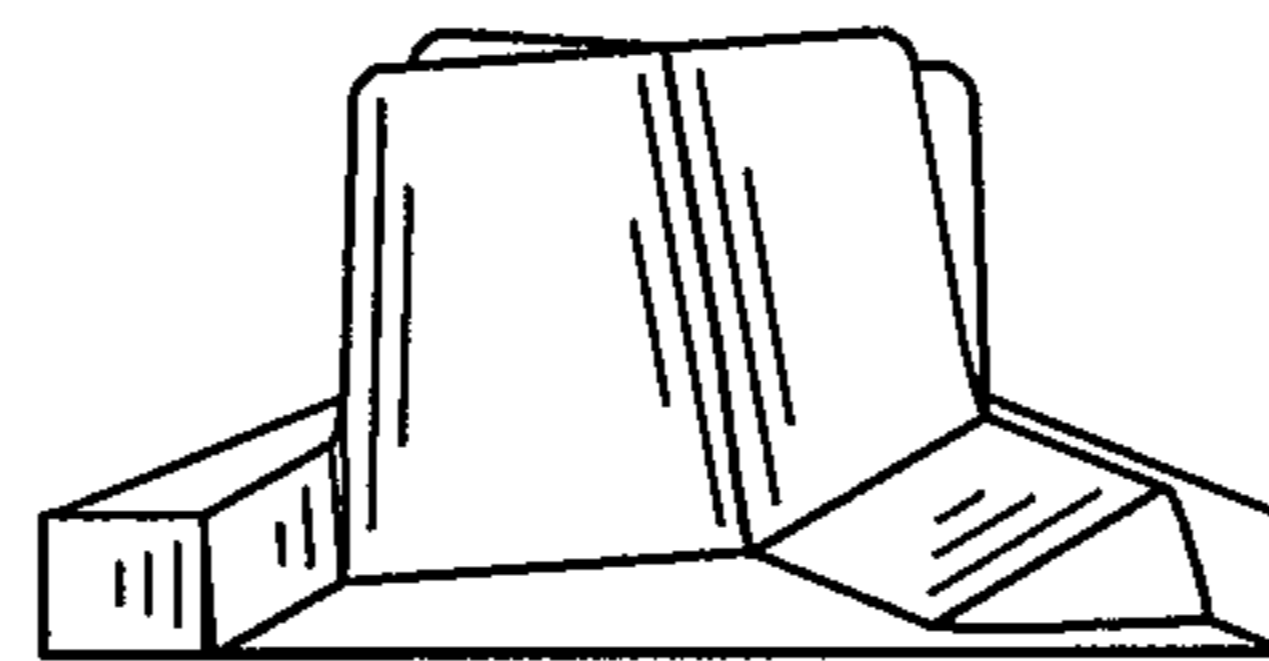


FIG. 5

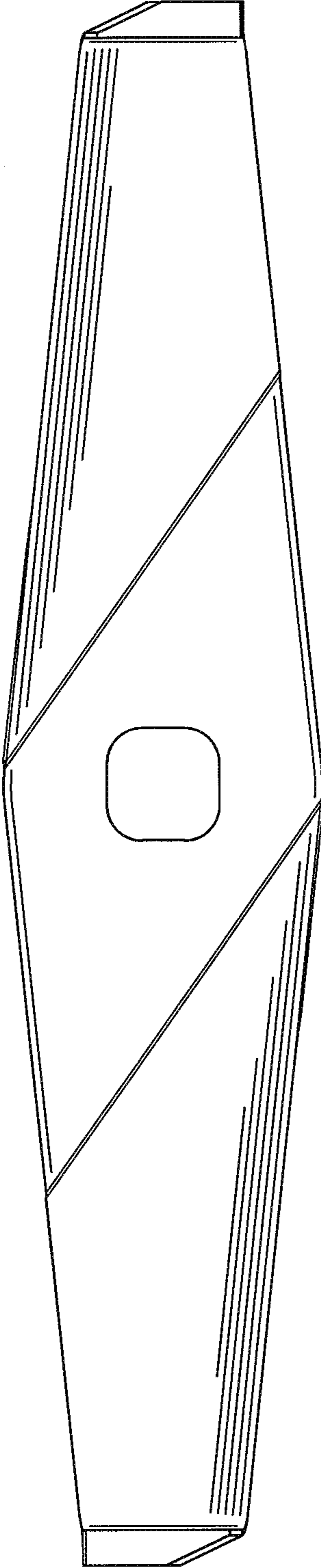


FIG. 6

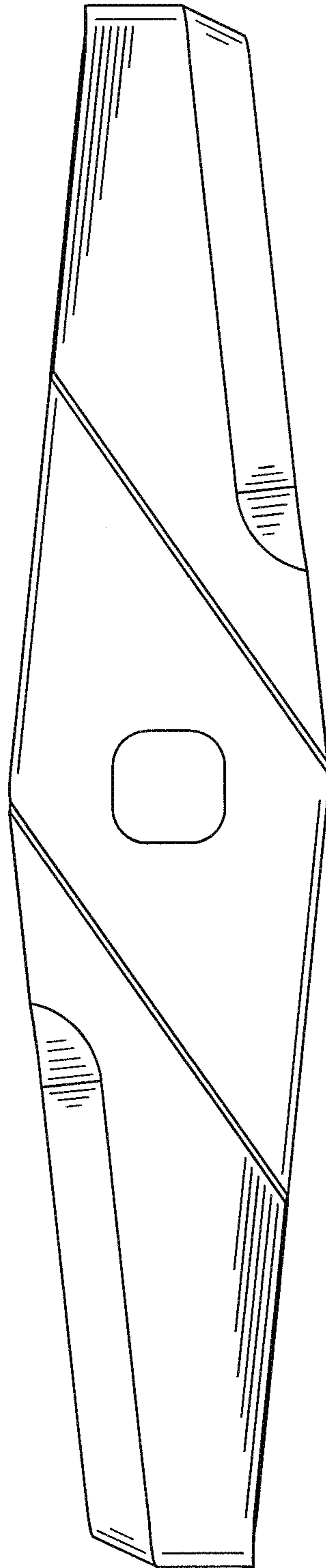


FIG. 7