

US00D752388S

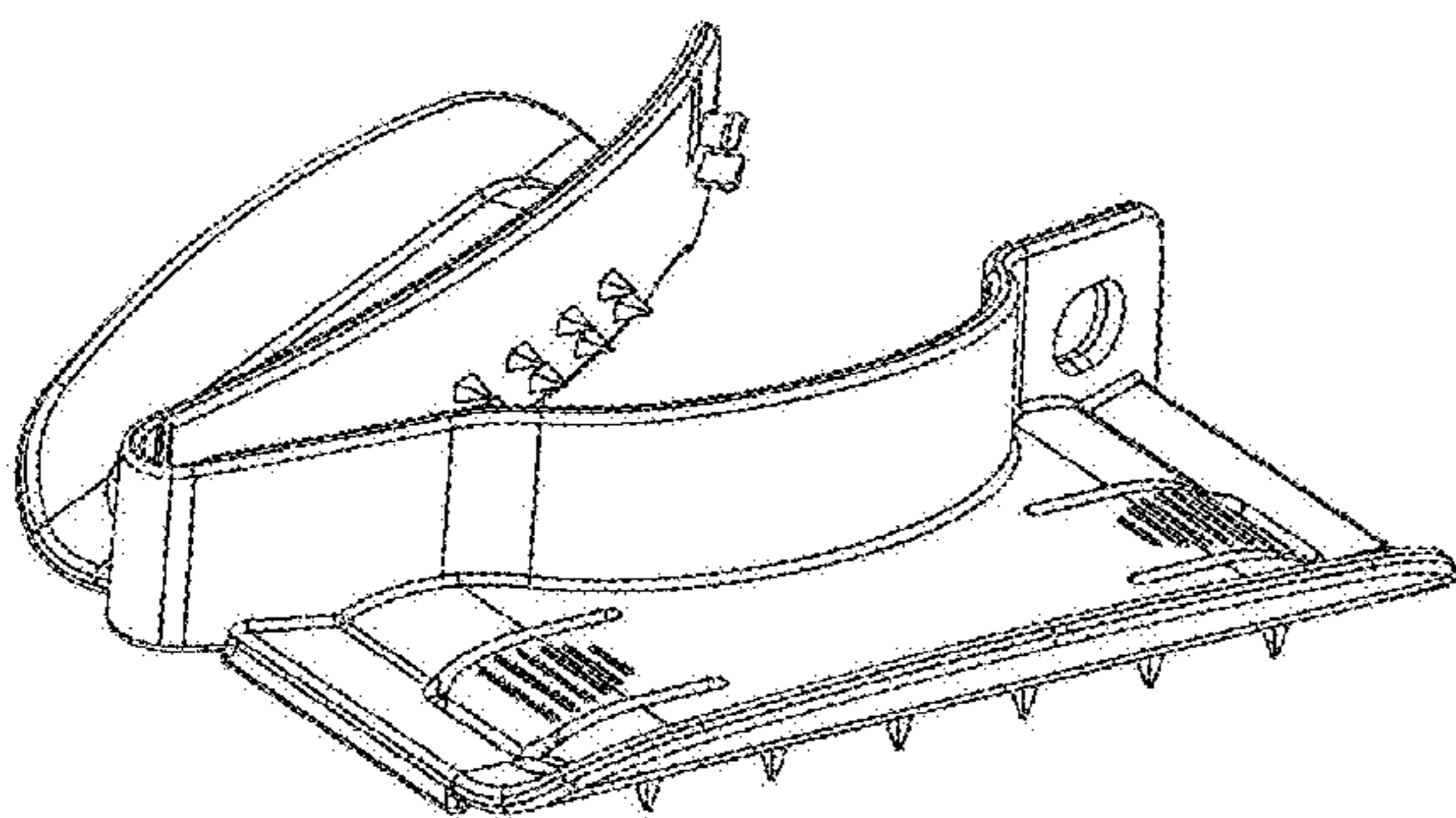
(12) **United States Design Patent**
Schoeman

(10) **Patent No.:** **US D752,388 S**
(45) **Date of Patent:** **** Mar. 29, 2016**

- (54) **FOOD SLICER HAND GUARD**
- (71) Applicant: **John Louis Schoeman**, Mona Vale (AU)
- (72) Inventor: **John Louis Schoeman**, Mona Vale (AU)
- (73) Assignee: **Masterful Limited**, North Point (HK)
- (**) Term: **14 Years**
- (21) Appl. No.: **29/494,944**
- (22) Filed: **Jun. 25, 2014**
- (51) **LOC (10) Cl.** **31-00**
- (52) **U.S. Cl.**
USPC **D7/412**
- (58) **Field of Classification Search**
USPC D7/376-386, 412, 673, 678, 693
CPC A47J 43/25; B26D 1/14; B26D 1/143;
B26D 1/15; B26D 1/153; B26D 1/157;
B26D 1/18; B26D 1/28; B26D 1/553; B26D
3/283; B26D 5/00; B26D 5/06; B26D 5/08;
B26D 5/10; B26D 5/12; B26D 5/22; B26D
5/26; B26D 5/38; B26D 5/42; B26D 7/00;
B26D 7/01; B26D 7/08; B26D 7/12; B26D
7/18; B26D 7/1818; B26D 7/22; B26D 7/225;
B26D 7/24; B26D 7/26; B26D 7/2614;
B26D 7/2621; B26D 7/2628; B26D 7/2635;
B26D 7/30; B26D 7/32; B26D 7/325; B27G
13/00; B27G 13/005; B27G 13/10
See application file for complete search history.

- (56) **References Cited**
U.S. PATENT DOCUMENTS
D591,115 S * 4/2009 Repac D7/686
7,648,092 B2 * 1/2010 Wong A47J 43/25
100/234

(Continued)



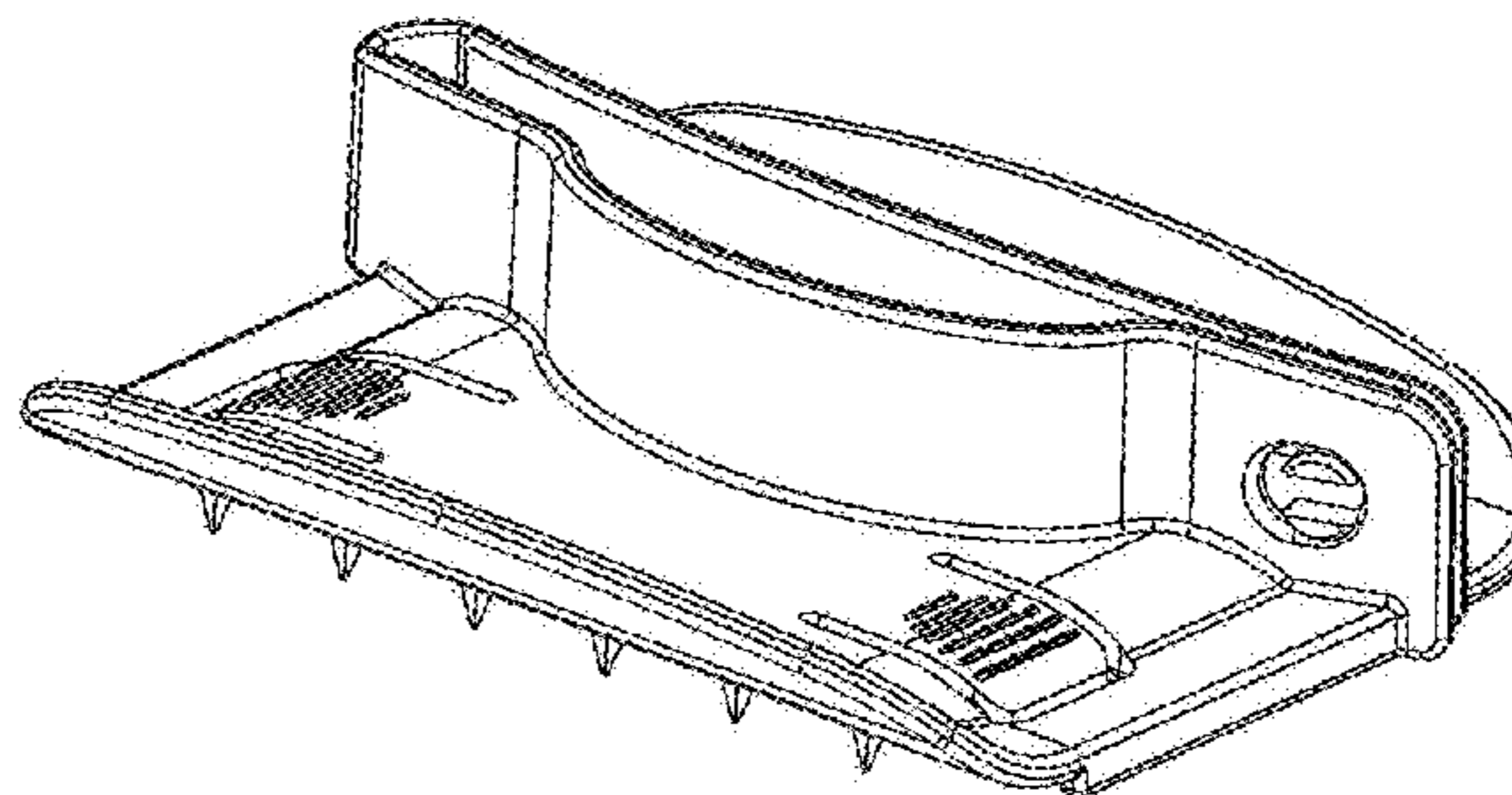
Primary Examiner — Ricky Pham
(74) *Attorney, Agent, or Firm* — Benesch, Friedlander, Coplan & Aronoff, LLP; Benjamin E. Kem; Thomas Y. Kendrick

(57) **CLAIM**
The ornamental design for a food slicer hand guard, as shown and described.

DESCRIPTION

FIG. 1 is a front perspective view of a food slicer hand guard showing my new design, wherein the food slicer hand guard is in an open position;
 FIG. 2 is a front perspective view thereof in a closed position;
 FIG. 3 is a rear perspective view thereof in the open position;
 FIG. 4 is a rear perspective view thereof in the closed position;
 FIG. 5 is a bottom perspective view thereof in the open position;
 FIG. 6 is a bottom perspective view thereof in the closed position;
 FIG. 7 is a top plan view thereof in the open position;
 FIG. 8 is a top plan view thereof in the closed position;
 FIG. 9 is a bottom plan view thereof in the open position;
 FIG. 10 is a bottom plan view thereof in the closed position;
 FIG. 11 is a front elevational view thereof in the open position;
 FIG. 12 is a front elevational view thereof in the closed position;
 FIG. 13 is a rear elevational view thereof in the open position;
 FIG. 14 is a rear elevational view thereof in the closed position;
 FIG. 15 is a left side elevational view thereof in the open position; and,
 FIG. 16 is a left side elevational view thereof in the closed position.

1 Claim, 8 Drawing Sheets



(56)

References Cited

U.S. PATENT DOCUMENTS

D632,139 S *	2/2011	Repac	D7/673	8,438,961 B2 *	5/2013	Repac	B26D 3/283
7,882,641 B2 *	2/2011	Repac	B26D 1/553					83/440.2
D650,642 S *	12/2011	Fung	D7/673	D734,107 S *	7/2015	Junker	D7/673
D651,483 S *	1/2012	Bagley	D7/673	2009/0078100 A1 *	3/2009	Repac	B26D 1/553
D651,868 S *	1/2012	Thornton	D7/673	2012/0006165 A1 *	1/2012	Thornton	B26D 3/283
D667,280 S *	9/2012	Jalet	D7/678					83/425.3
					2012/0227564 A1 *	9/2012	Fung	A47J 43/25
									83/397
									83/856

* cited by examiner

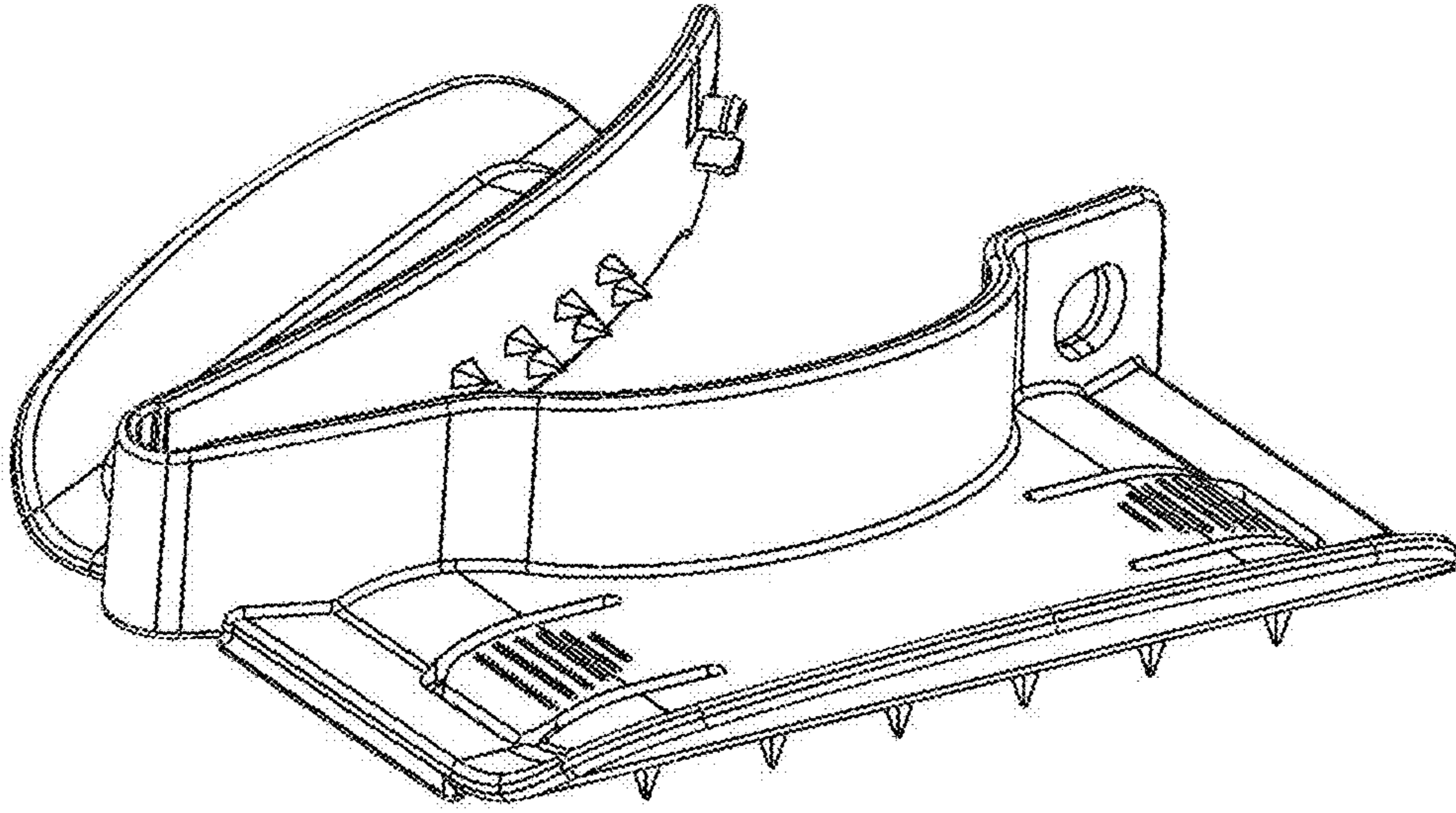


FIG. 1

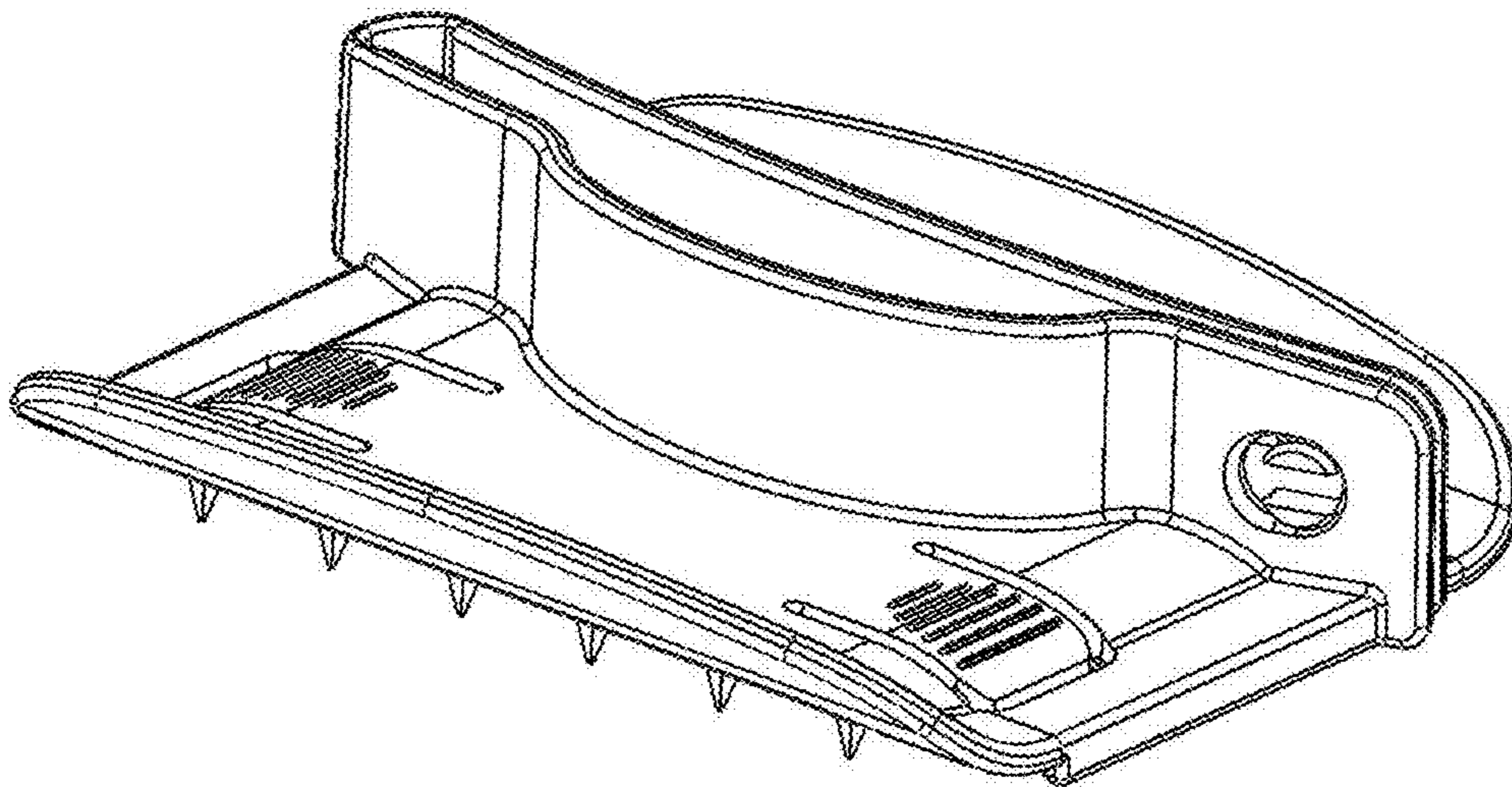


FIG. 2

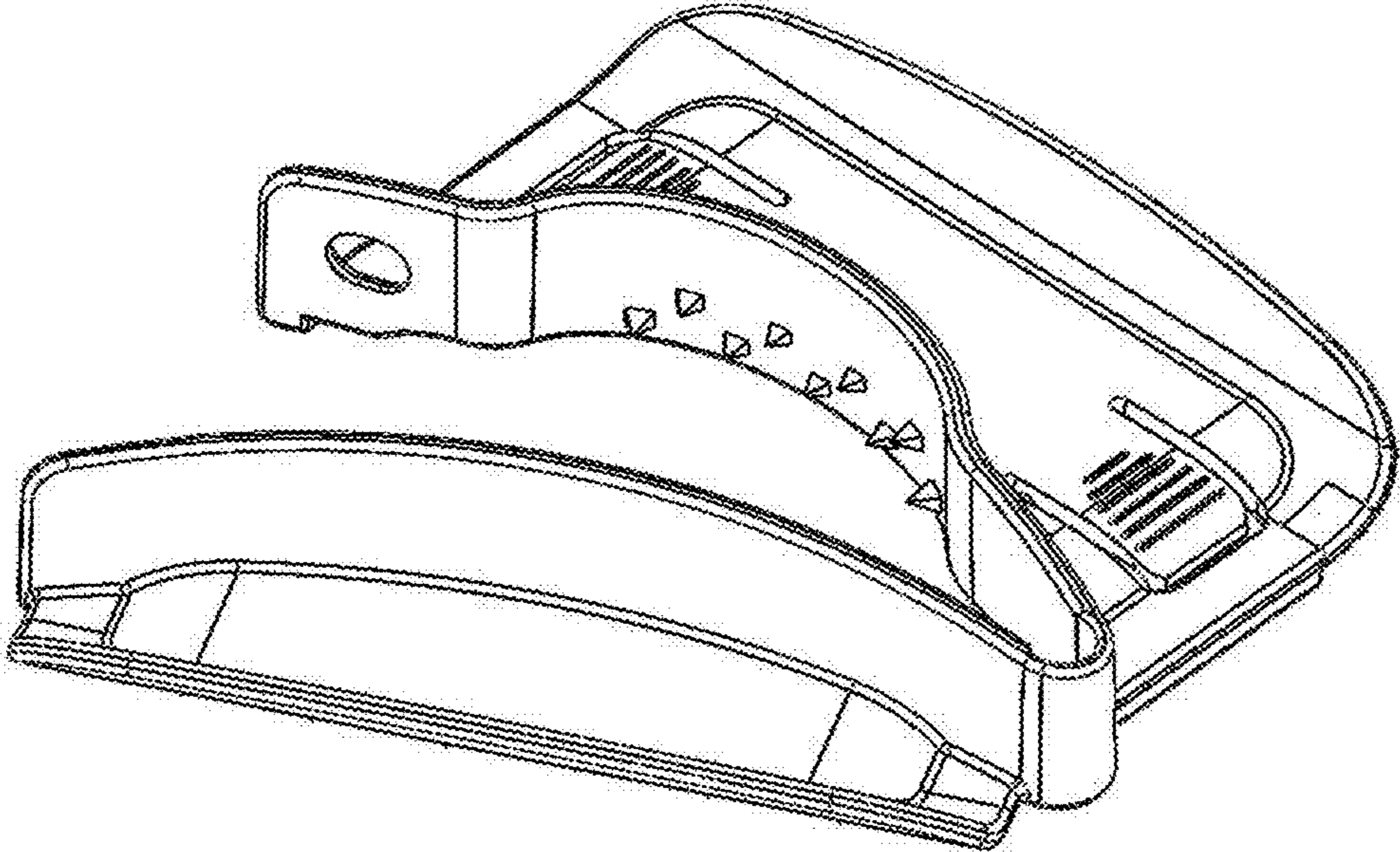


FIG. 3

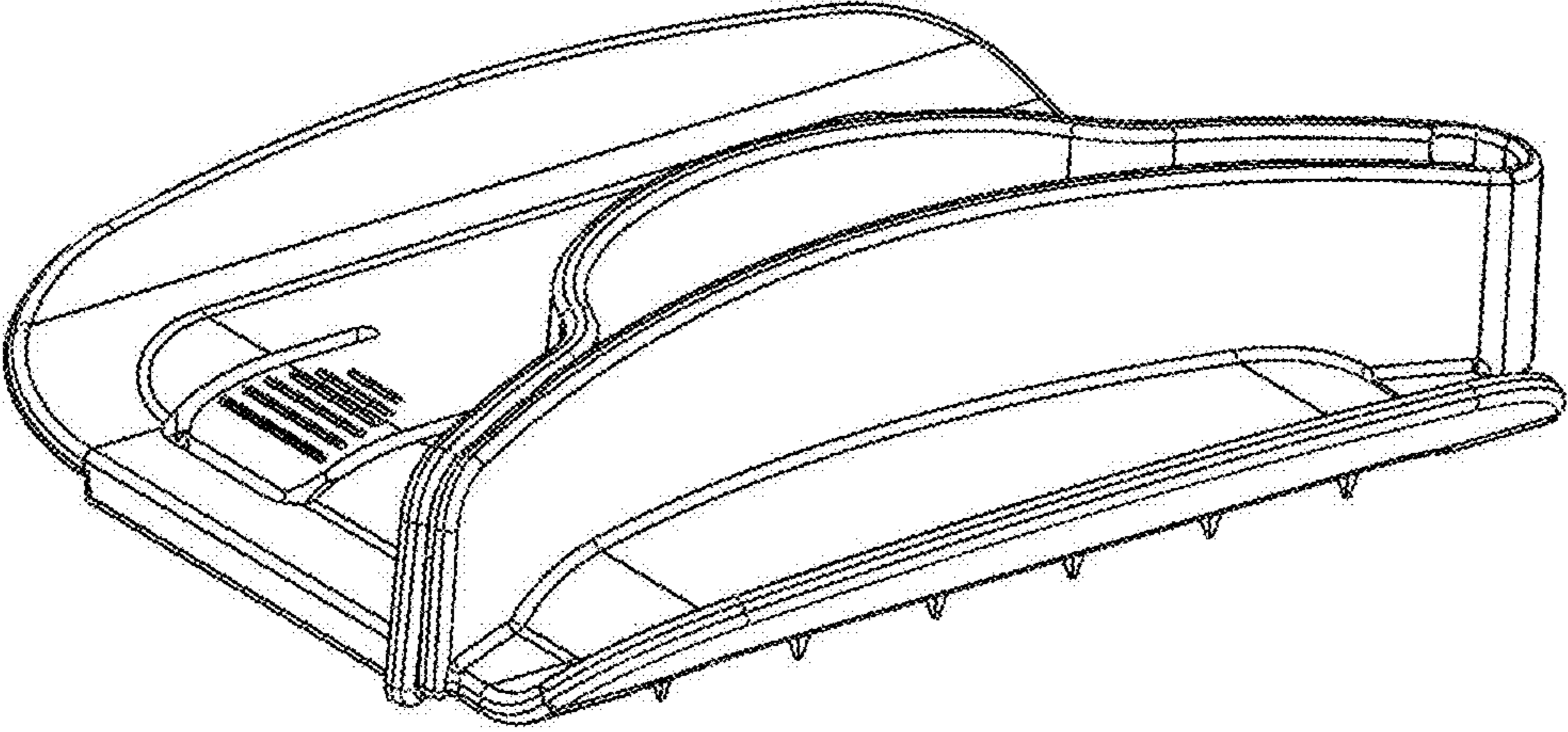


FIG. 4

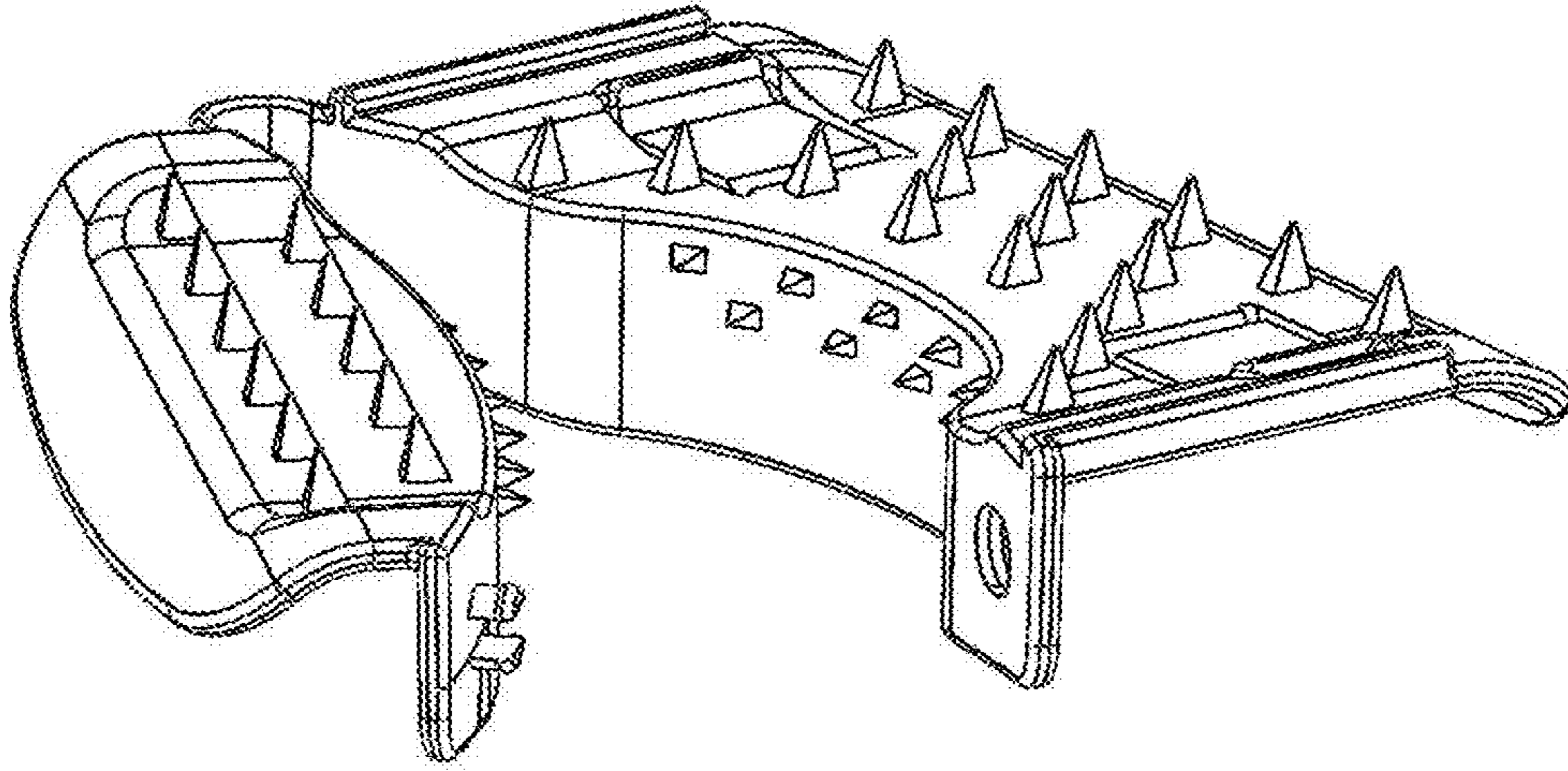


FIG. 5

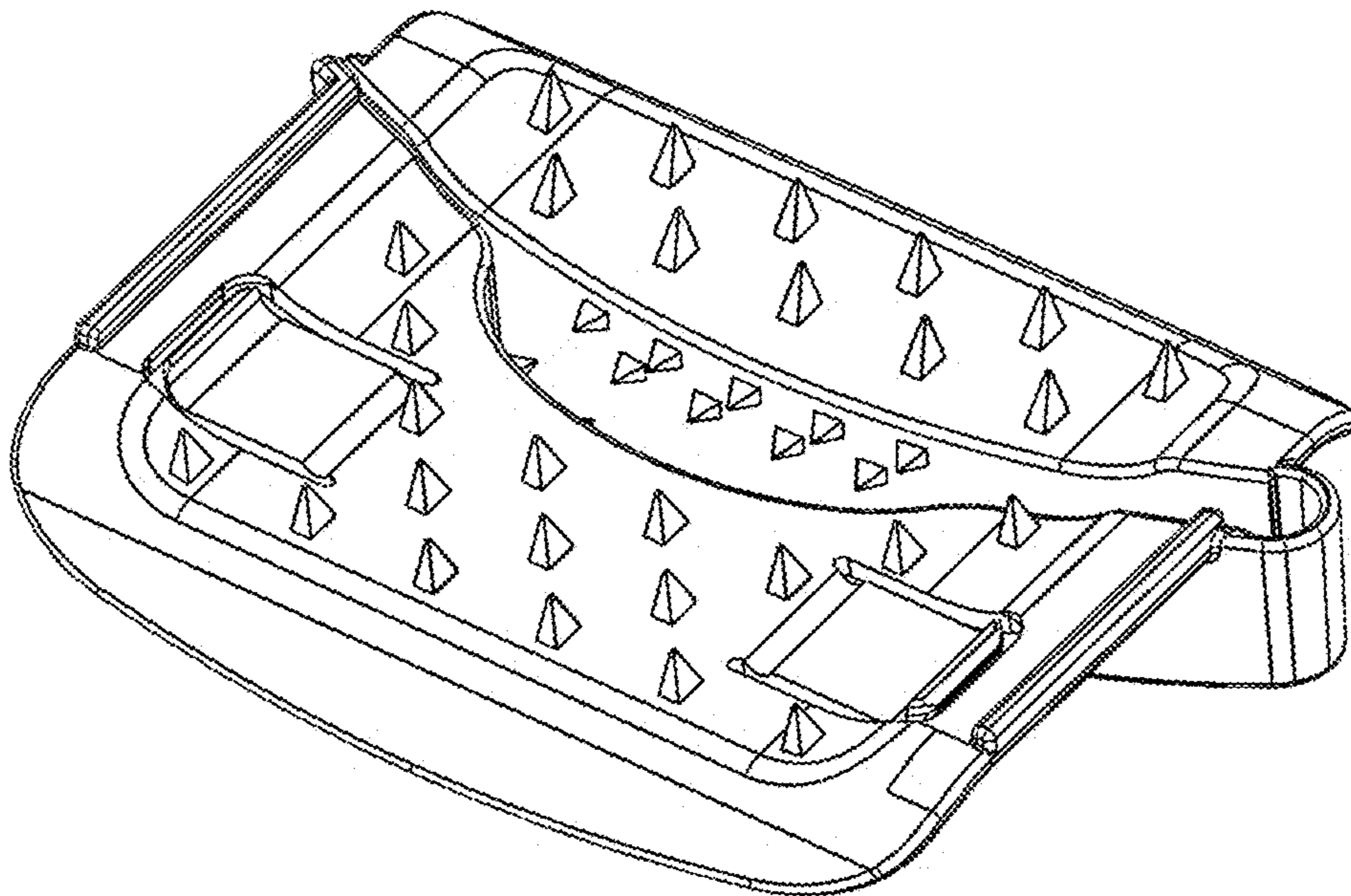


FIG. 6

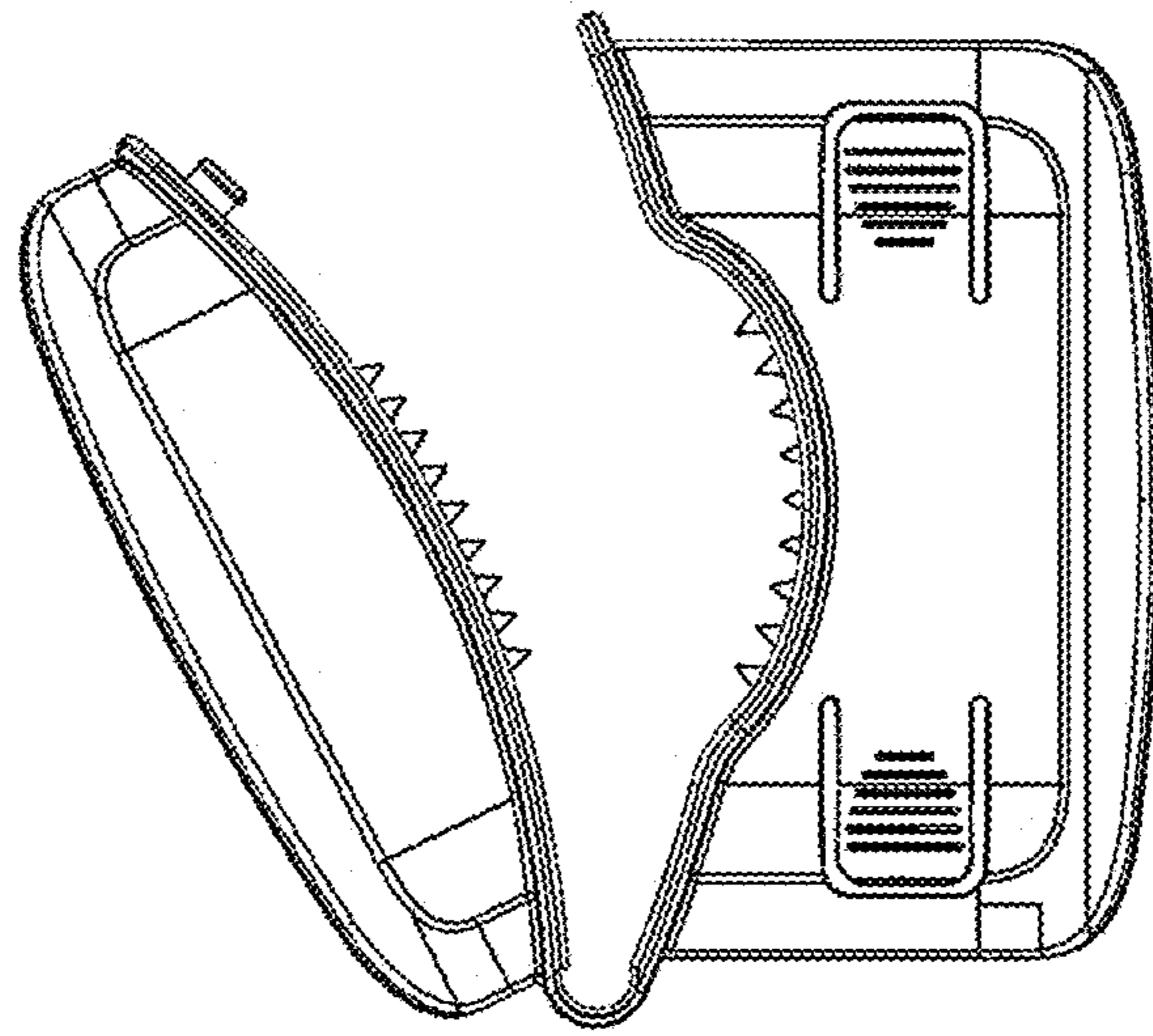


FIG. 7

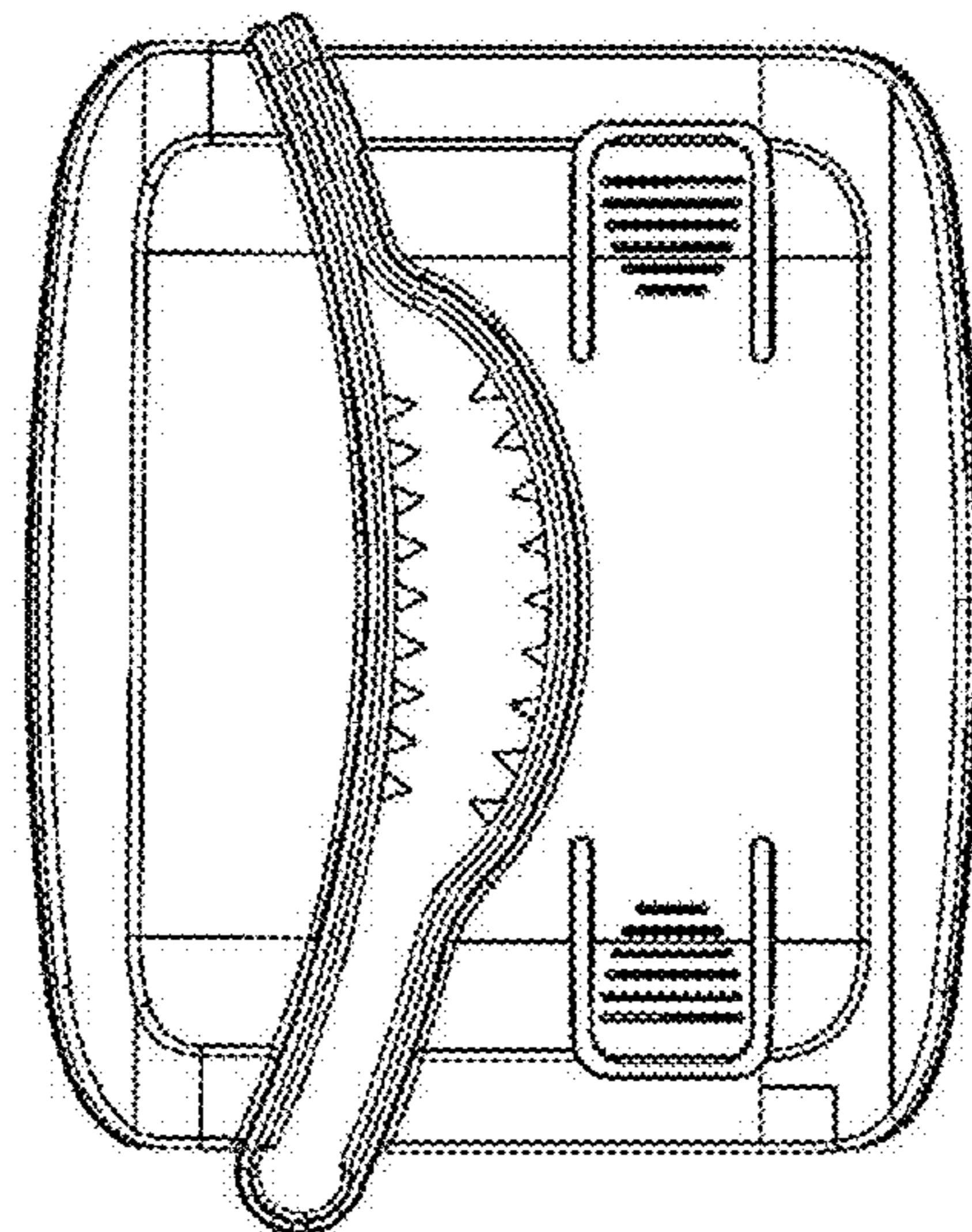


FIG. 8

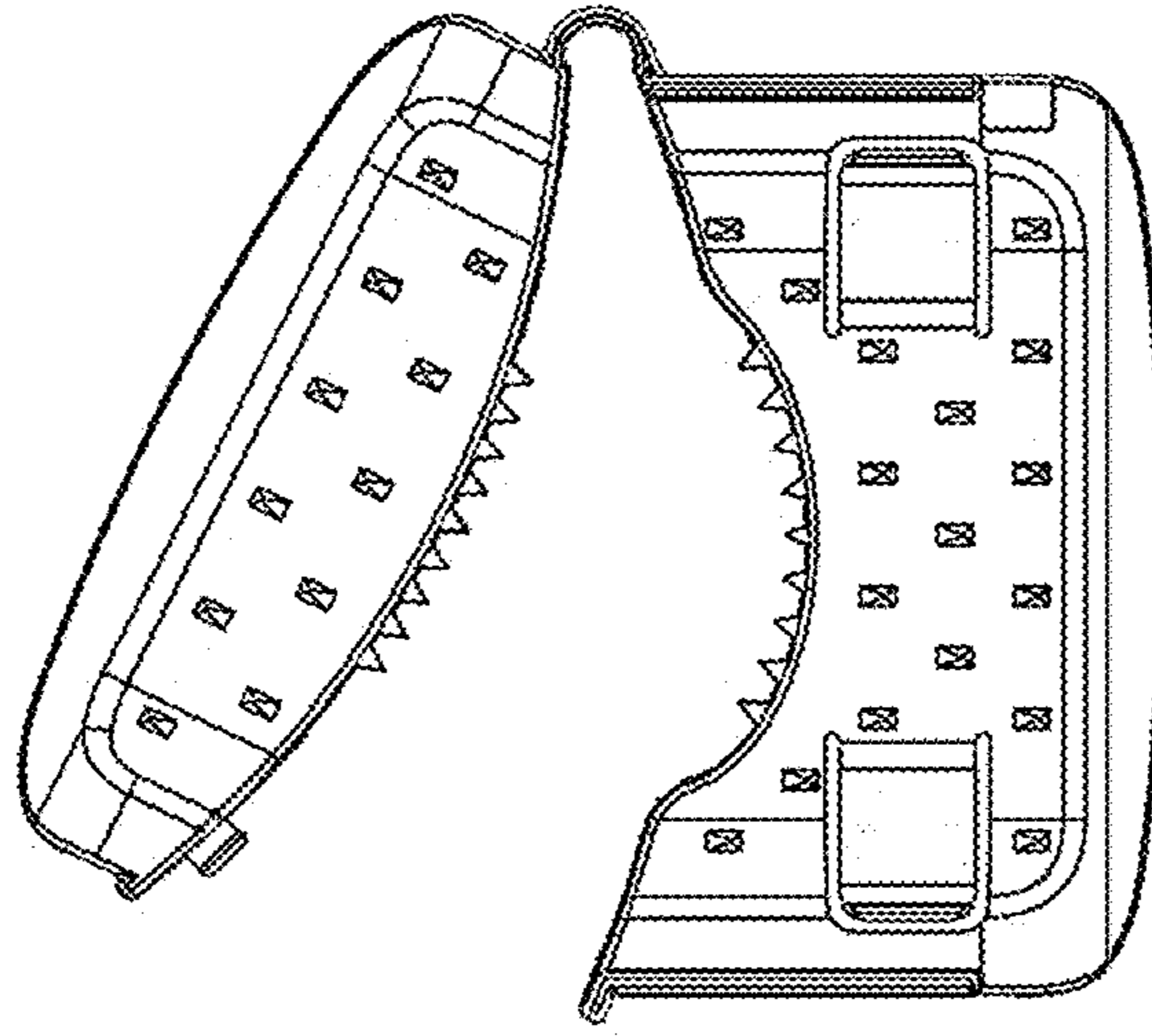


FIG. 9

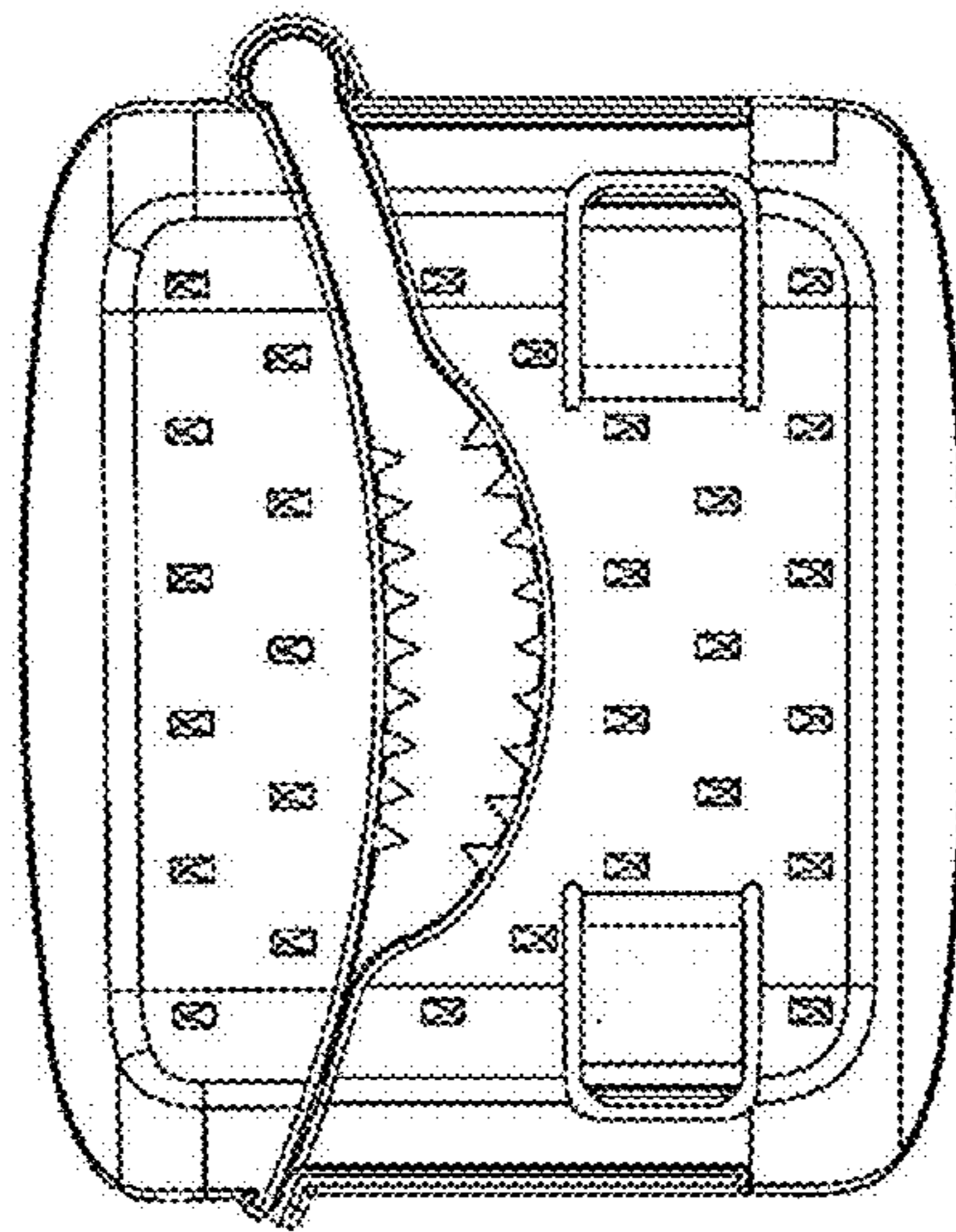


FIG. 10



FIG. 11



FIG. 12



FIG. 13

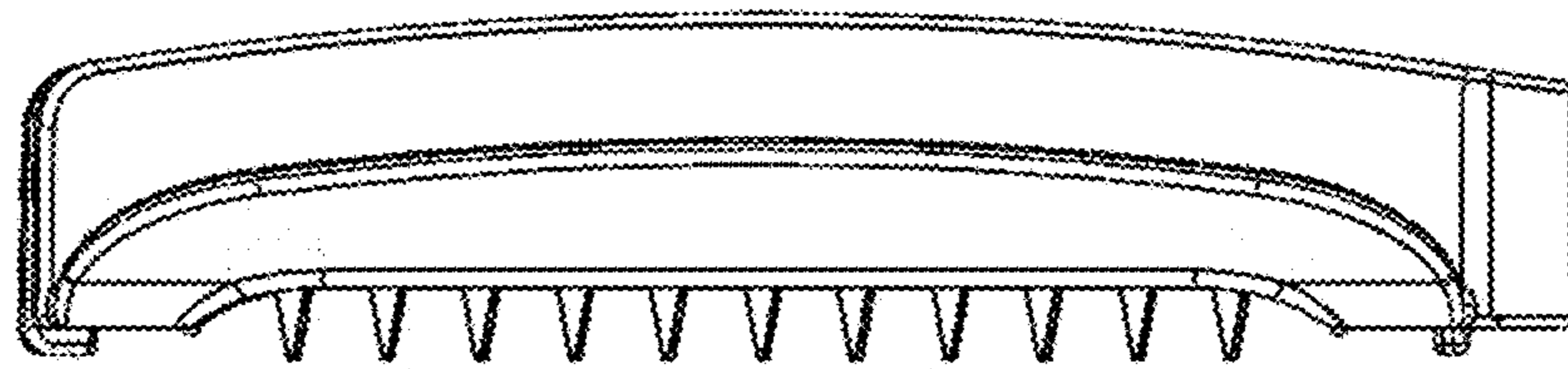


FIG. 14

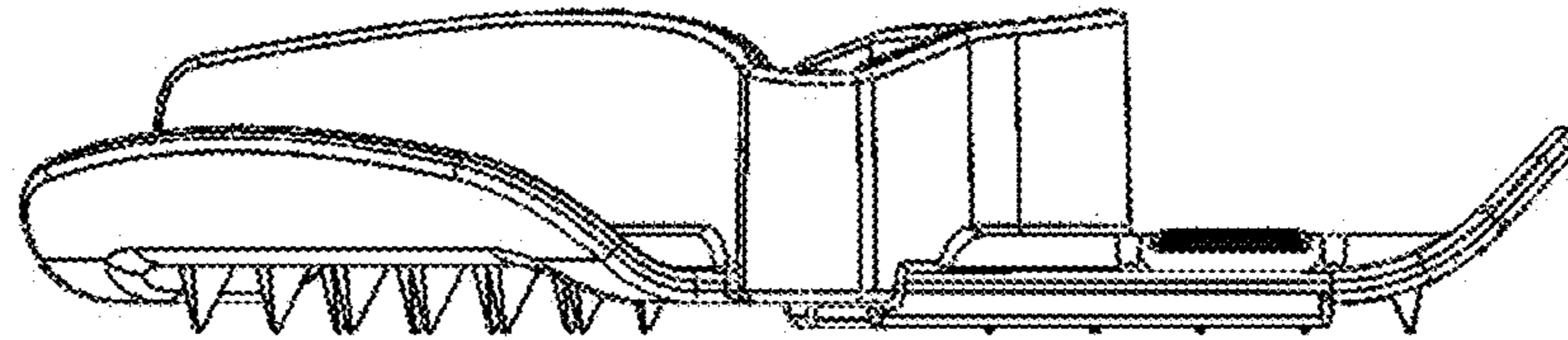


FIG. 15

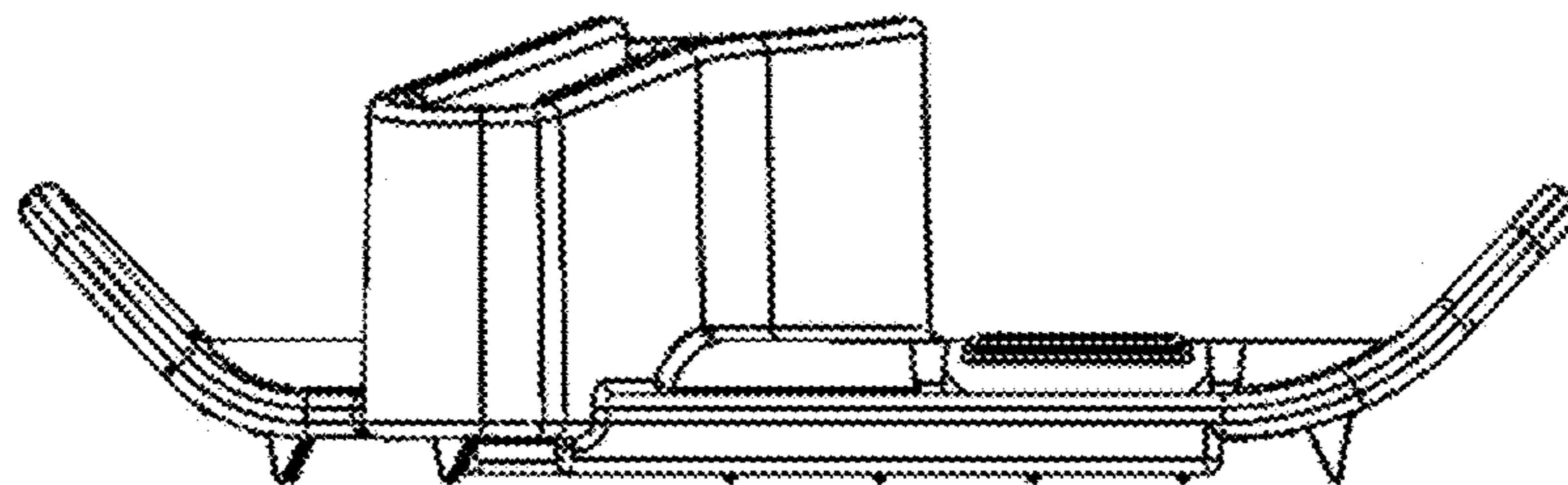


FIG. 16