



US00D752384S

(12) **United States Design Patent**  
**Fredaeng**

(10) **Patent No.:** **US D752,384 S**  
(45) **Date of Patent:** **\*\* Mar. 29, 2016**

(54) **CHEF'S KNIFE**

(71) Applicant: **OBH Nordica IP A/S**, Taastrup (DK)  
(72) Inventor: **Toni Luukkonen Fredaeng**, Stockholm (SE)  
(73) Assignee: **OBH Nordica IP A/S**, Taastrup (DK)  
(\*\*) Term: **14 Years**

(21) Appl. No.: **29/501,279**  
(22) Filed: **Sep. 3, 2014**  
(51) **LOC (10) Cl.** ..... **07-03**  
(52) **U.S. Cl.**  
USPC ..... **D7/401.2**  
(58) **Field of Classification Search**  
USPC ..... D7/368, 401.2, 642-645, 649-664, 669,  
D7/675-677, 683, 688-689, 691; D8/107,  
D8/300-301; D22/117-118  
CPC ..... A01B 1/20; A01B 1/22; A01D 9/02;  
A01D 9/04; A01D 9/06; A47G 21/00; A47G  
21/004; A47G 21/005; A47G 21/02; A47G  
21/023; A47G 21/04; A47G 21/06; A47G  
21/08; A47J 43/28; A47J 43/281; A47J  
43/282; A61F 13/10; A61J 7/0023; B25G  
1/00; B25G 1/01; B25G 1/02; B25G 3/00;  
B26B 3/00; B26B 3/02; B26B 11/00; B26B  
11/006; B65D 75/56; B65D 75/563; B65D  
75/566; B67B 7/00; B67B 7/724; B67B 7/73  
See application file for complete search history.

(56) **References Cited**

U.S. PATENT DOCUMENTS

D296,179 S *	6/1988	Hagberg	.....	D7/649
D487,379 S *	3/2004	Porsche	.....	D7/401.2
D551,517 S *	9/2007	Tarrerias	.....	D7/649
D683,204 S *	5/2013	Yamada	.....	D8/107
D699,543 S *	2/2014	Haythornthwaite	.....	D8/107
D713,215 S *	9/2014	Bird	.....	D7/401.2
D735,529 S *	8/2015	Bell	.....	D7/401.2

\* cited by examiner

*Primary Examiner* — Ricky Pham

(74) *Attorney, Agent, or Firm* — Renner, Otto, Boisselle & Sklar, LLP

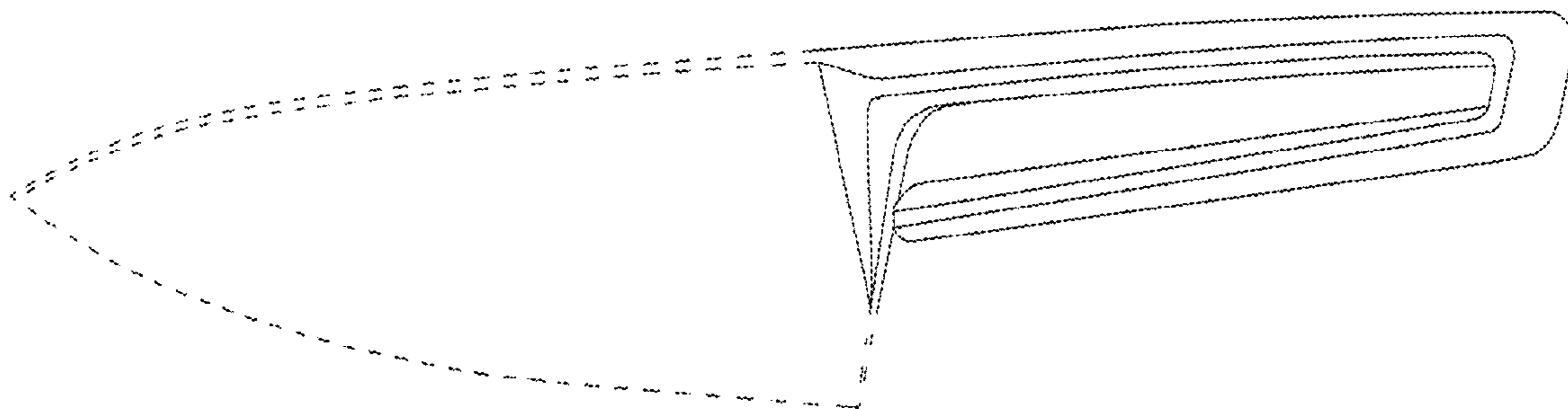
(57) **CLAIM**

The ornamental design for a chef's knife, as shown and described.

**DESCRIPTION**

FIG. 1 is a perspective view of a chef's knife showing my design.  
FIG. 2 is a bottom view thereof.  
FIG. 3 is a left side view thereof, the right side view being a mirror image thereof.  
FIG. 4 is a top view thereof.  
FIG. 5 is a front end view thereof; and,  
FIG. 6 is a rear end view thereof.  
The broken lines shown herein are for illustrative purposes only and form no part of the claimed design.

**1 Claim, 1 Drawing Sheet**



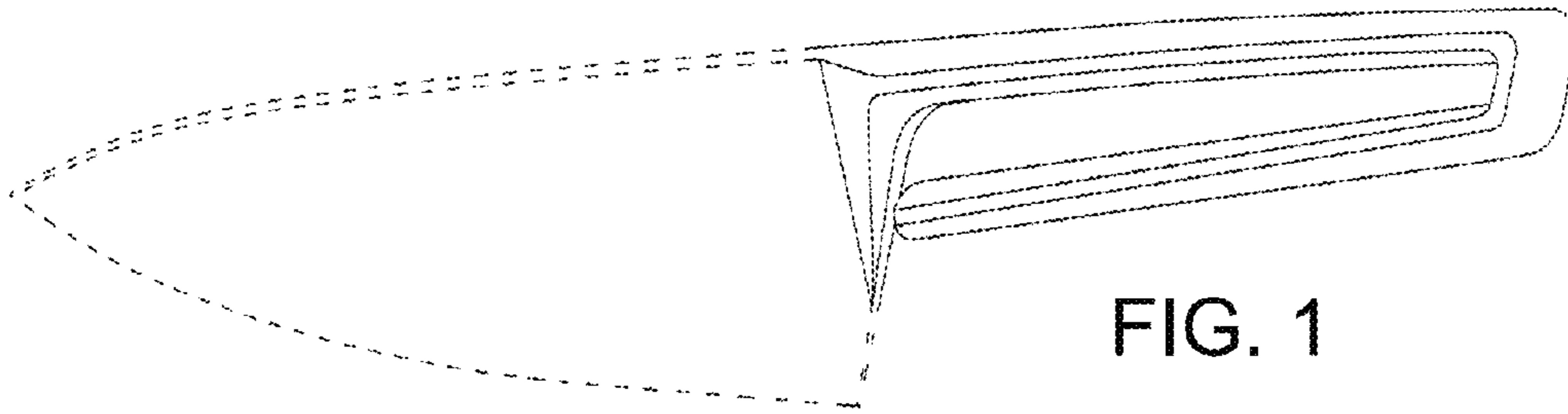


FIG. 1

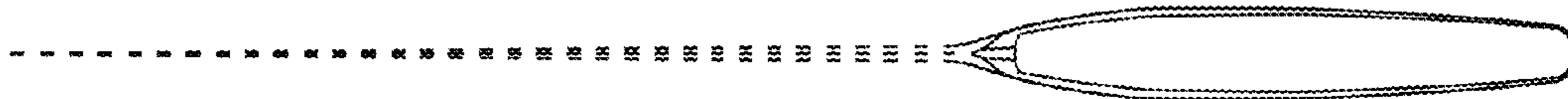


FIG. 2



FIG. 3

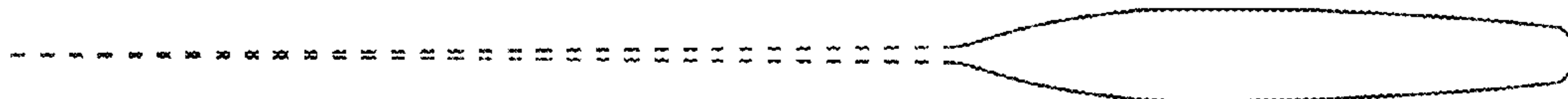


FIG. 4

FIG. 5

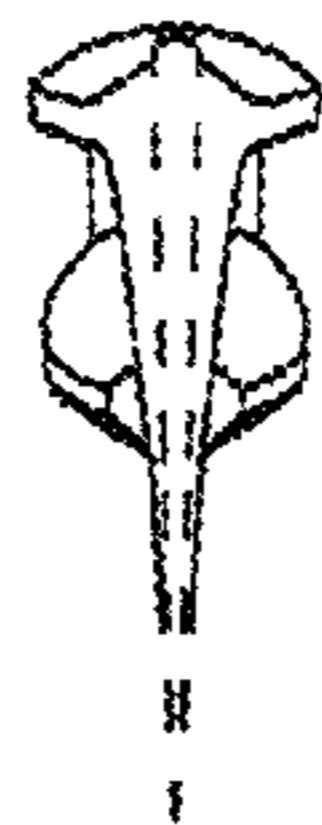


FIG. 6

