



US00D752383S

(12) **United States Design Patent**
Zox

(10) **Patent No.:** **US D752,383 S**
(45) **Date of Patent:** **** Mar. 29, 2016**

(54) **PLATE GRIP**

FOREIGN PATENT DOCUMENTS

(71) Applicant: **Holdaplate, LLC**, New York, NY (US)

WO WO 2007/001047 1/2007

(72) Inventor: **John Zox**, New York, NY (US)

OTHER PUBLICATIONS

(73) Assignee: **HOLDAPLATE, LLC**, New York, NY (US)

Wavetrends Clear Plastic Cocktail Plate with Stemware Hole, available at www.webstaurantstore.com/wavetrends-clear-plastic-cocktail-plate-with-stemware-hole-6-x-9-1-2-120-cs/3461409CL.html dated Jul. 7, 2011.

(**) Term: **14 Years**

Primary Examiner — Susan Bennett Hattan

(21) Appl. No.: **29/511,196**

Assistant Examiner — Brett Miller

(22) Filed: **Dec. 8, 2014**

(74) *Attorney, Agent, or Firm* — Edward J. Baba; Bozicevic, Field & Francis LLP

Related U.S. Application Data

(63) Continuation of application No. 29/471,214, filed on Oct. 29, 2013, now Pat. No. Des. 720,179.

(51) **LOC (10) Cl.** **07-01**

(52) **U.S. Cl.**

USPC **D7/396.1**

(58) **Field of Classification Search**

USPC D7/555, 587, 557, 584, 586, 582, 550.1, D7/552.2, 553.1–554.4, 502, 538, 543, D7/585, 410, 354, 549, 500, 501, 505, 558, D7/357, 576, 503, 610–611, 393–396.2; D6/309; D30/123; D9/424; 220/574–575, 751, 23.4, 556, 501; D20/42; 40/700, 760, 780

See application file for complete search history.

(56) **References Cited**

U.S. PATENT DOCUMENTS

757,645 A	4/1904	Bassett
1,272,996 A	7/1918	Poschadel
D135,524 S	4/1943	Johnstone
2,427,697 A	9/1947	Weidler
D154,671 S	8/1949	Foley

(Continued)

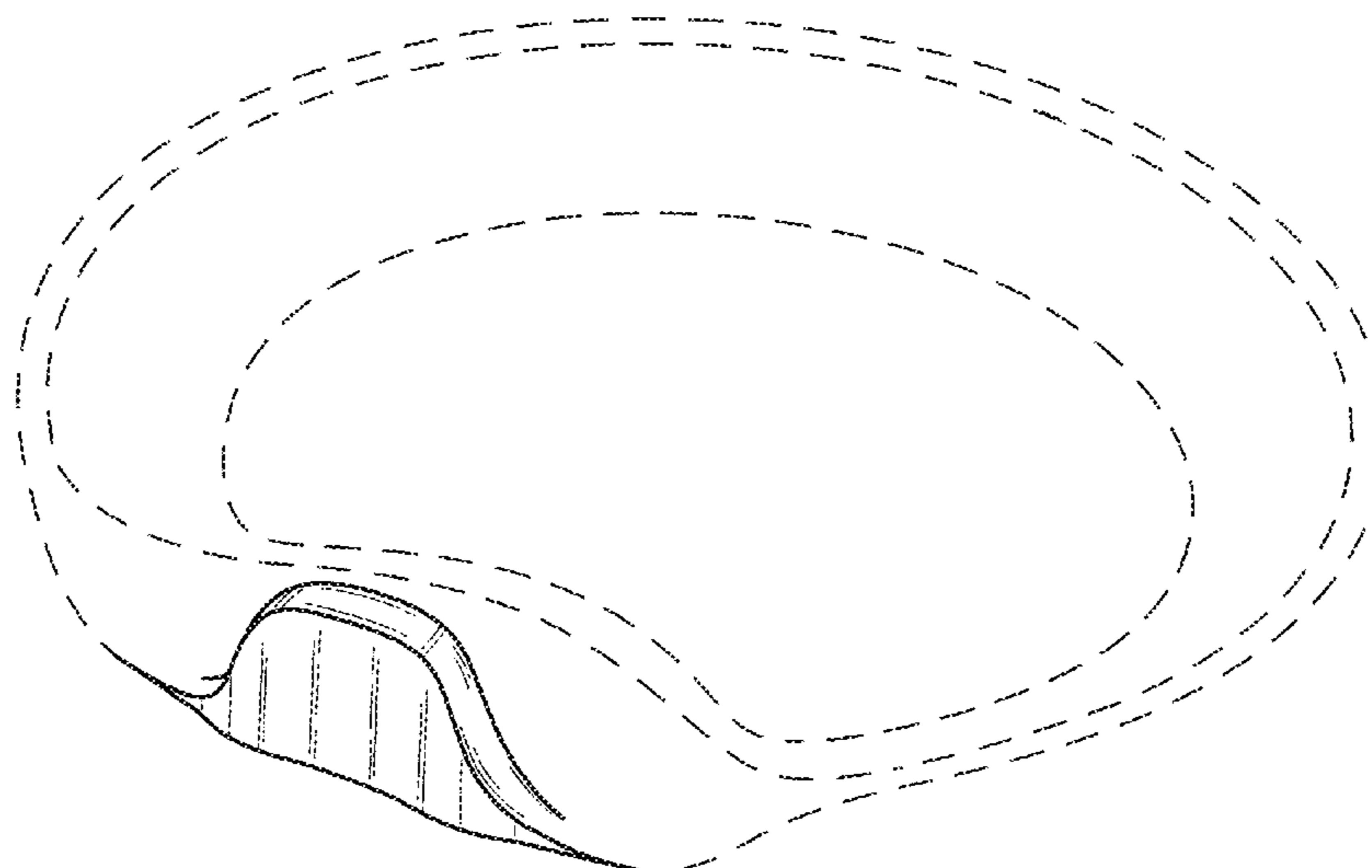
(57) **CLAIM**

The ornamental design for a plate grip, as shown and described.

DESCRIPTION

FIG. 1 is a top view of the plate grip of the present invention, showing the new design;
FIG. 2 is a bottom view of the plate grip of FIG. 1;
FIG. 3 is a first side view of the plate grip of FIG. 1;
FIG. 4 is a second side view of the plate grip of FIG. 1;
FIG. 5 is a back view of the plate grip of FIG. 1;
FIG. 6 is a cross section view of the plate grip at line 6-6 of FIG. 1;
FIG. 7 is a cross section view of the plate grip at line 7-7 of FIG. 1;
FIG. 8 is a bottom perspective view of the plate grip of FIG. 1;
FIG. 9 is a side perspective view of the plate grip of FIG. 1; and,
FIG. 10 is a bottom perspective view of the plate grip of FIG. 1.
The evenly spaced broken lines depict portions of the plate grip that form no part of the claimed design.

1 Claim, 8 Drawing Sheets



(56)

References Cited

U.S. PATENT DOCUMENTS

2,582,183 A	1/1952	Weidler	6,609,325 B2	8/2003	Harris
D170,735 S	10/1953	Zeisel	6,609,625 B1	8/2003	Gibbar
2,664,722 A	1/1954	Barr	6,691,890 B1	2/2004	Persson
D197,245 S	12/1963	Bateson	6,702,141 B1	3/2004	Cinque
3,401,858 A	9/1968	White et al.	7,000,799 B1	2/2006	Hamre
3,955,672 A	5/1976	Brundage	D519,323 S	4/2006	Warner
D270,324 S	8/1983	French	D537,679 S	3/2007	Majka
4,607,758 A	8/1986	Stevens	D559,615 S	1/2008	Laib
4,744,597 A	5/1988	Bauman et al.	D588,879 S	3/2009	Brett
D307,529 S	5/1990	Baetens	D589,753 S	4/2009	Williams
4,966,297 A	10/1990	Doty	D589,754 S	4/2009	Williams
5,060,820 A	10/1991	Boerner	D592,458 S	5/2009	Scherer
5,085,391 A	2/1992	Berger et al.	D594,281 S	6/2009	Luft
5,119,967 A	6/1992	Ercolani	D594,705 S	6/2009	McComas
5,294,000 A	3/1994	Yanuzzi	D595,093 S	6/2009	McComas
5,346,070 A	9/1994	McSpadden	7,543,869 B2	6/2009	Davis
D352,367 S	11/1994	Gryzlak	D626,788 S	11/2010	Clark
D359,885 S	7/1995	Yanuzzi	D632,527 S	2/2011	Olivari et al.
5,542,577 A	8/1996	Friedrich	D645,310 S	9/2011	Shamoon
D373,933 S	9/1996	Gibbs, III	D650,237 S	12/2011	McComas
5,551,593 A	9/1996	Wiens	D653,085 S	1/2012	Swallow
5,662,240 A	9/1997	Norris	8,136,667 B2	3/2012	Raynor
D384,556 S	10/1997	Logan et al.	D668,508 S	10/2012	Zox
D388,661 S	1/1998	Vignau et al.	D673,007 S	12/2012	Zox
D402,509 S	12/1998	Indekeu	D713,208 S *	9/2014	Clark D7/553.5
5,947,011 A	9/1999	Xu	9,016,510 B2 *	4/2015	Edwards B60N 3/106 220/574.1
D415,930 S	11/1999	Schmidt	D741,660 S *	10/2015	Jarratt D7/555
6,021,914 A	2/2000	Schmidt	2004/0099670 A1	5/2004	Michaeli
D430,458 S	9/2000	Kellermann	2005/0115974 A1	6/2005	Micciulla
D455,050 S	4/2002	Tyler et al.	2005/0161453 A1	7/2005	Corrieri
D472,768 S	4/2003	Wellner	2006/0266748 A1	11/2006	Crawford
D473,757 S	4/2003	Schwartz	2009/0152157 A1	6/2009	Schaaper et al.
			2012/0000915 A1	1/2012	Swallow

* cited by examiner

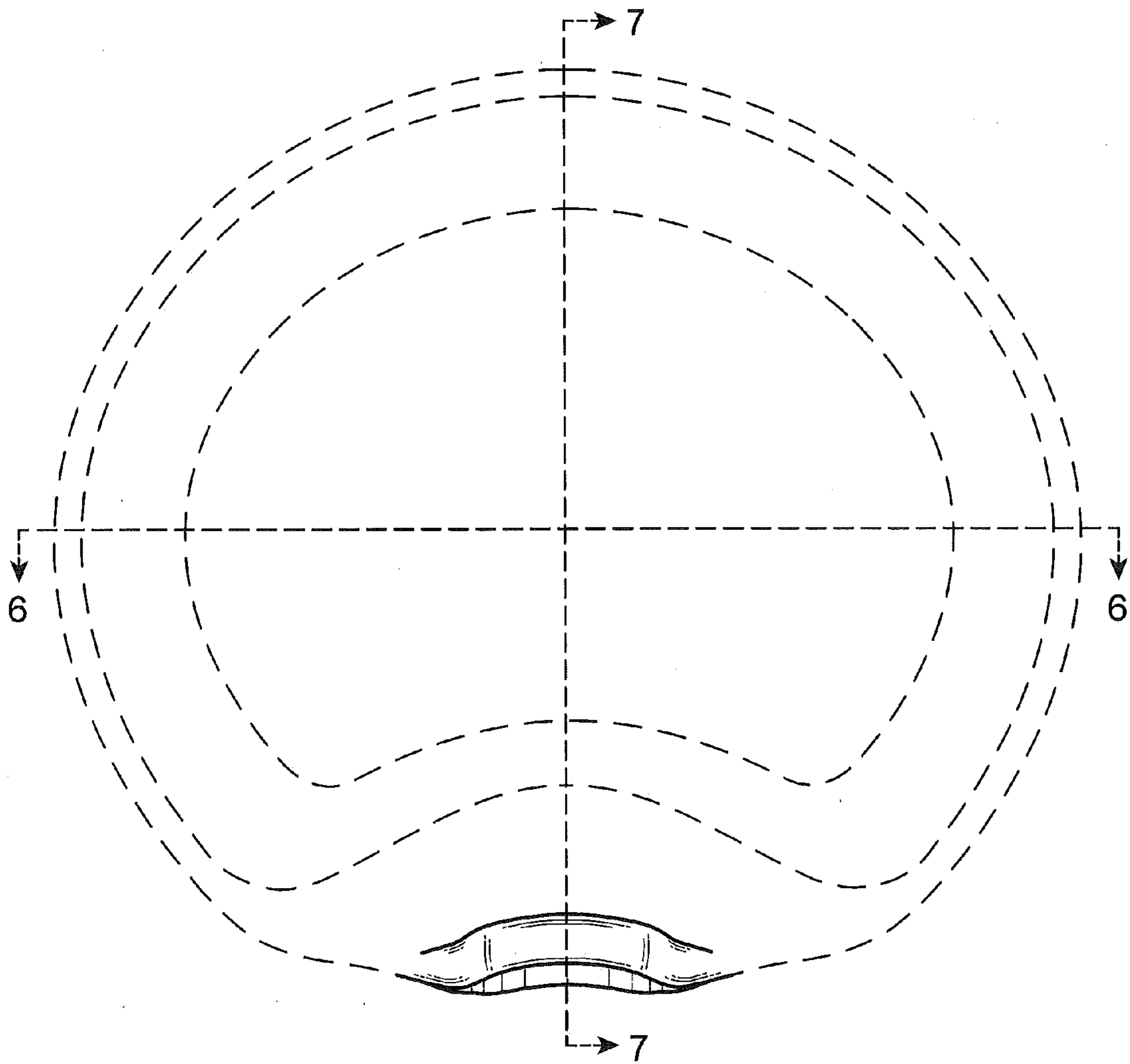


FIG. 1

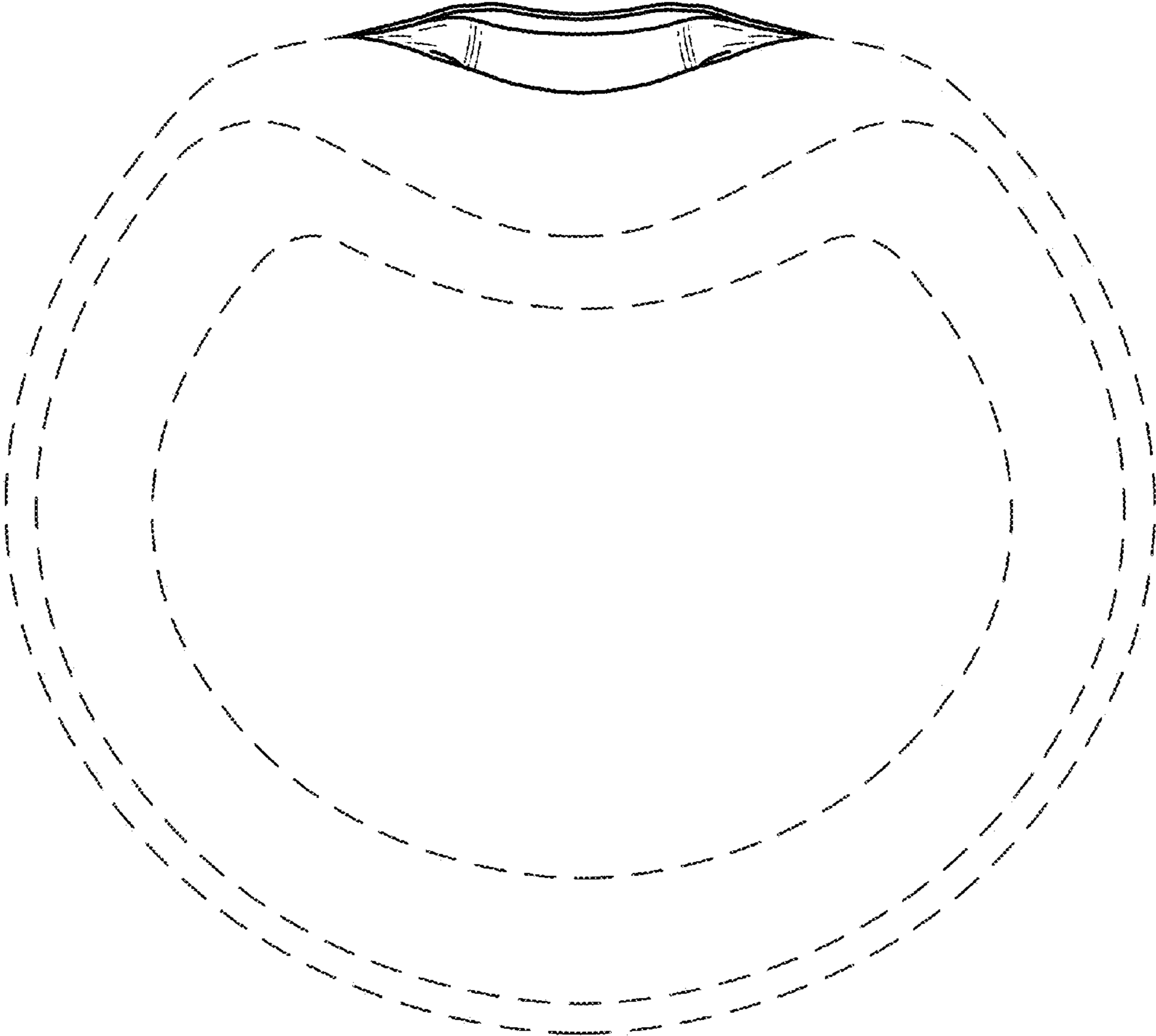


FIG. 2

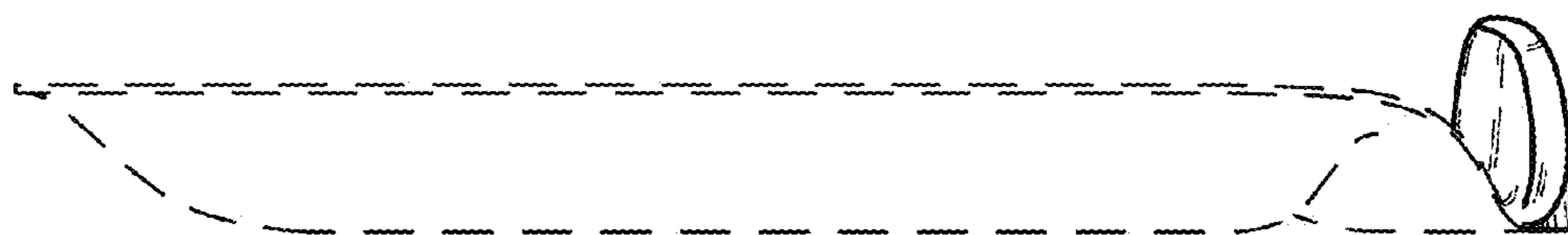


FIG. 3

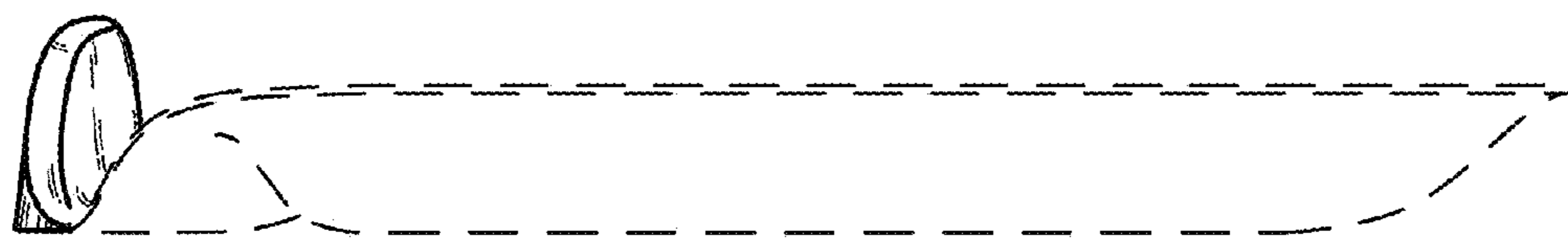


FIG. 4

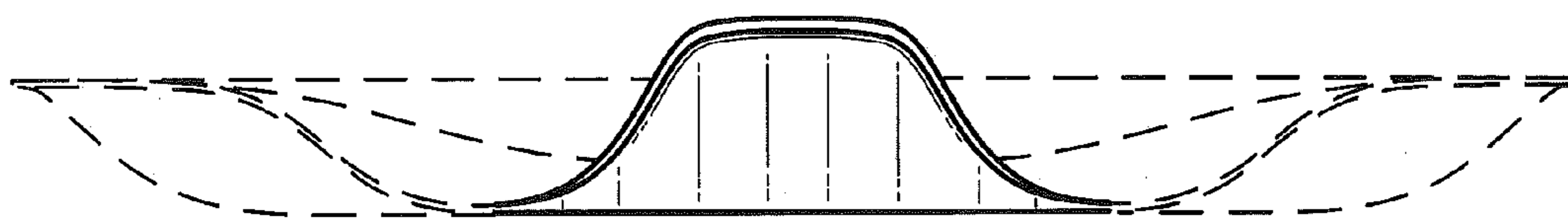


FIG. 5

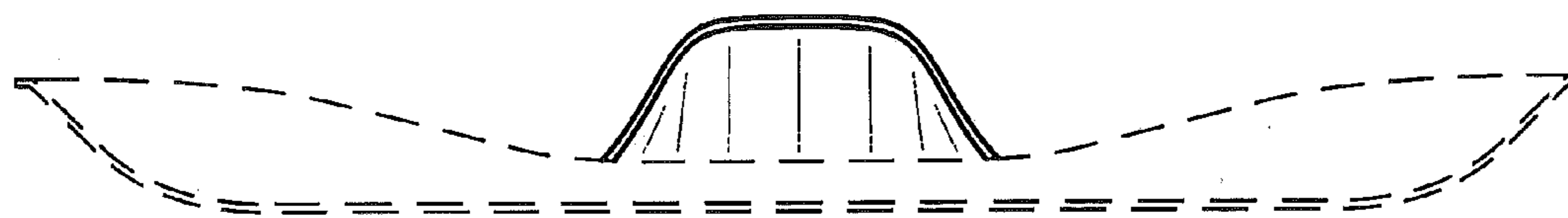


FIG. 6

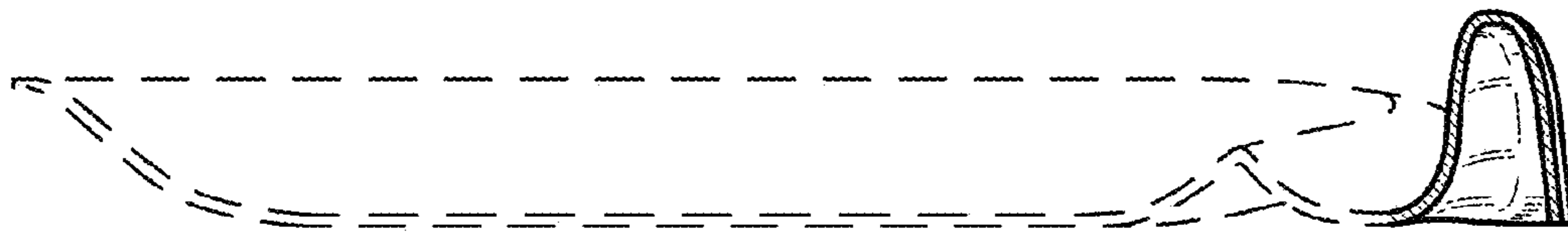


FIG. 7

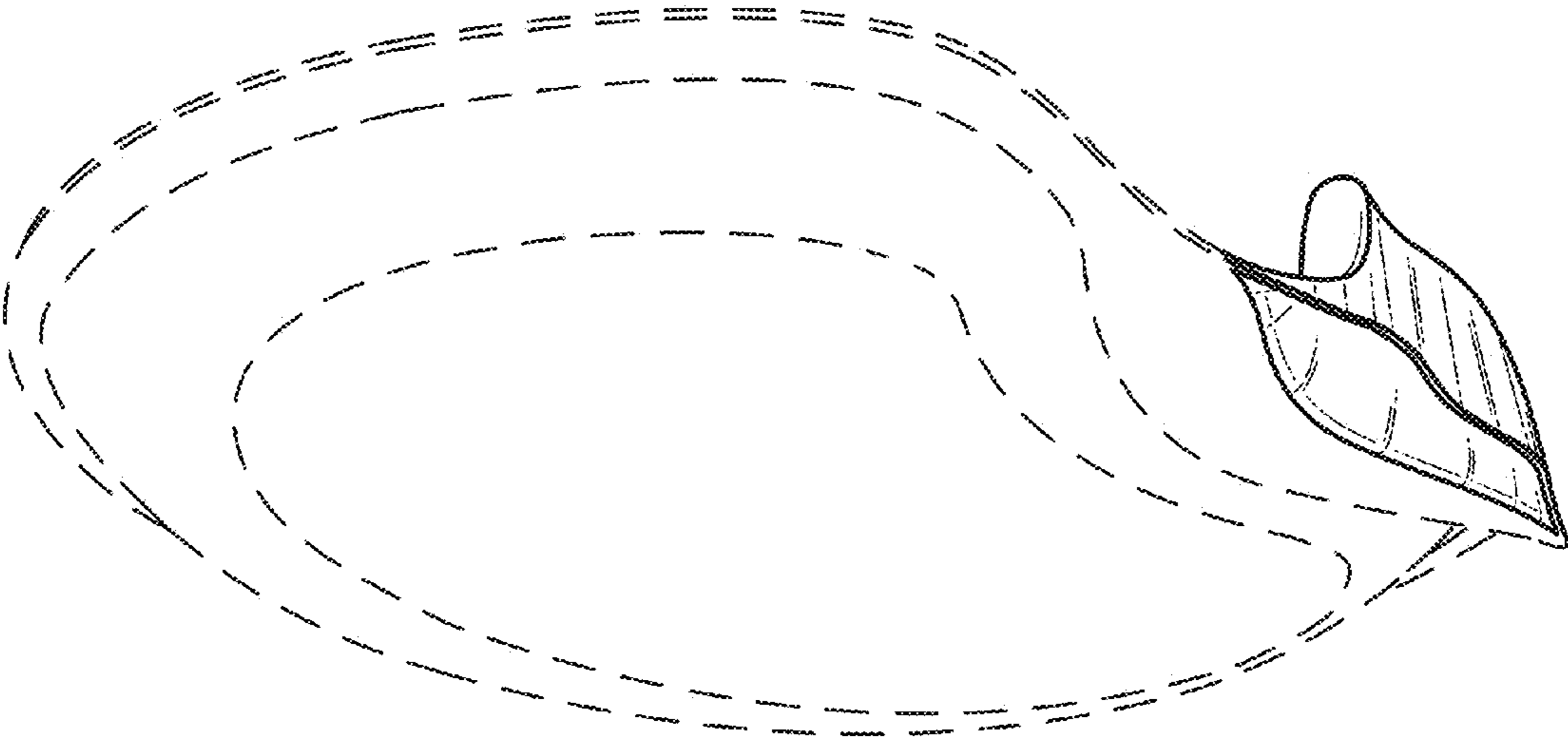


FIG. 8

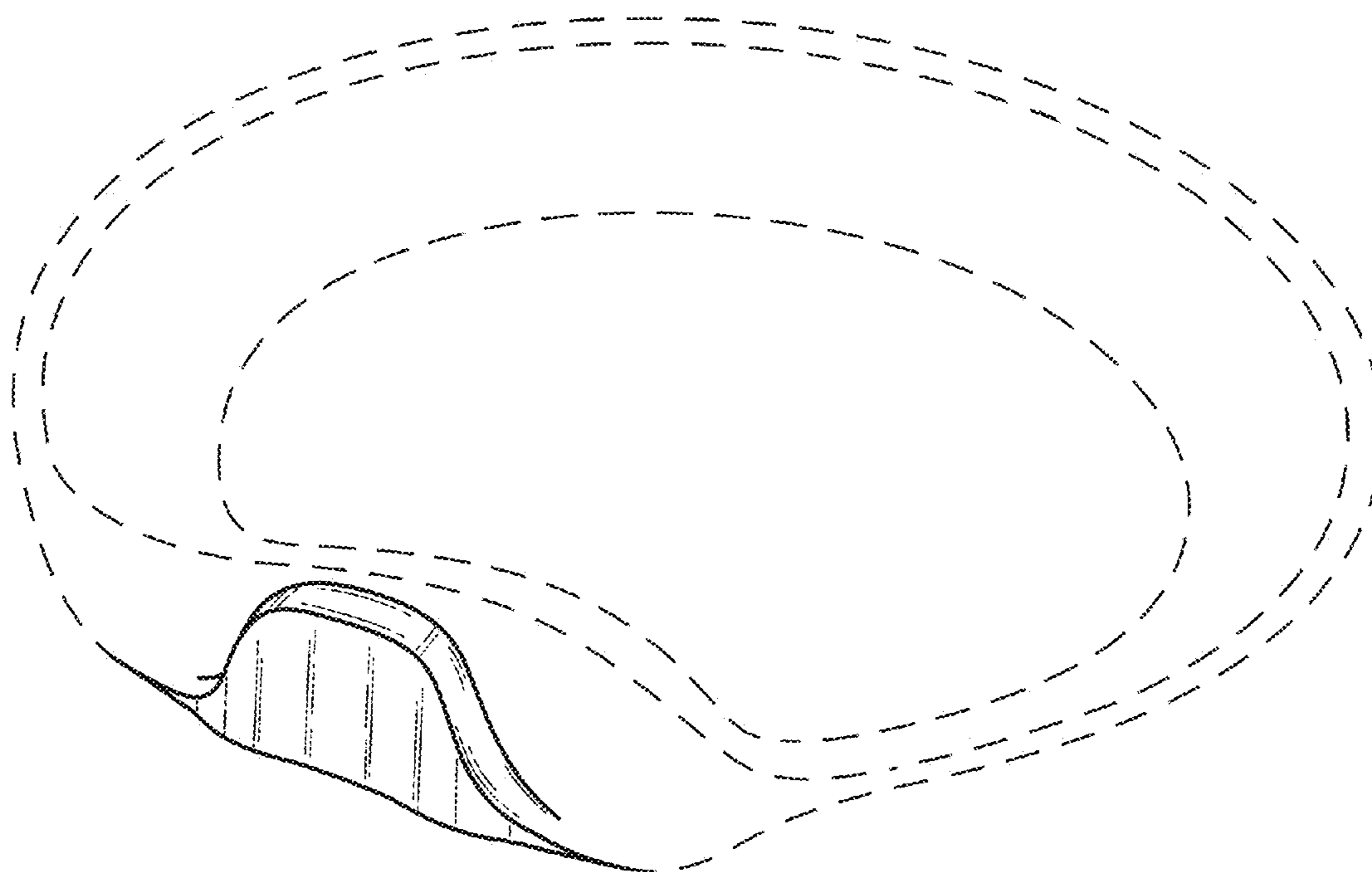


FIG. 9

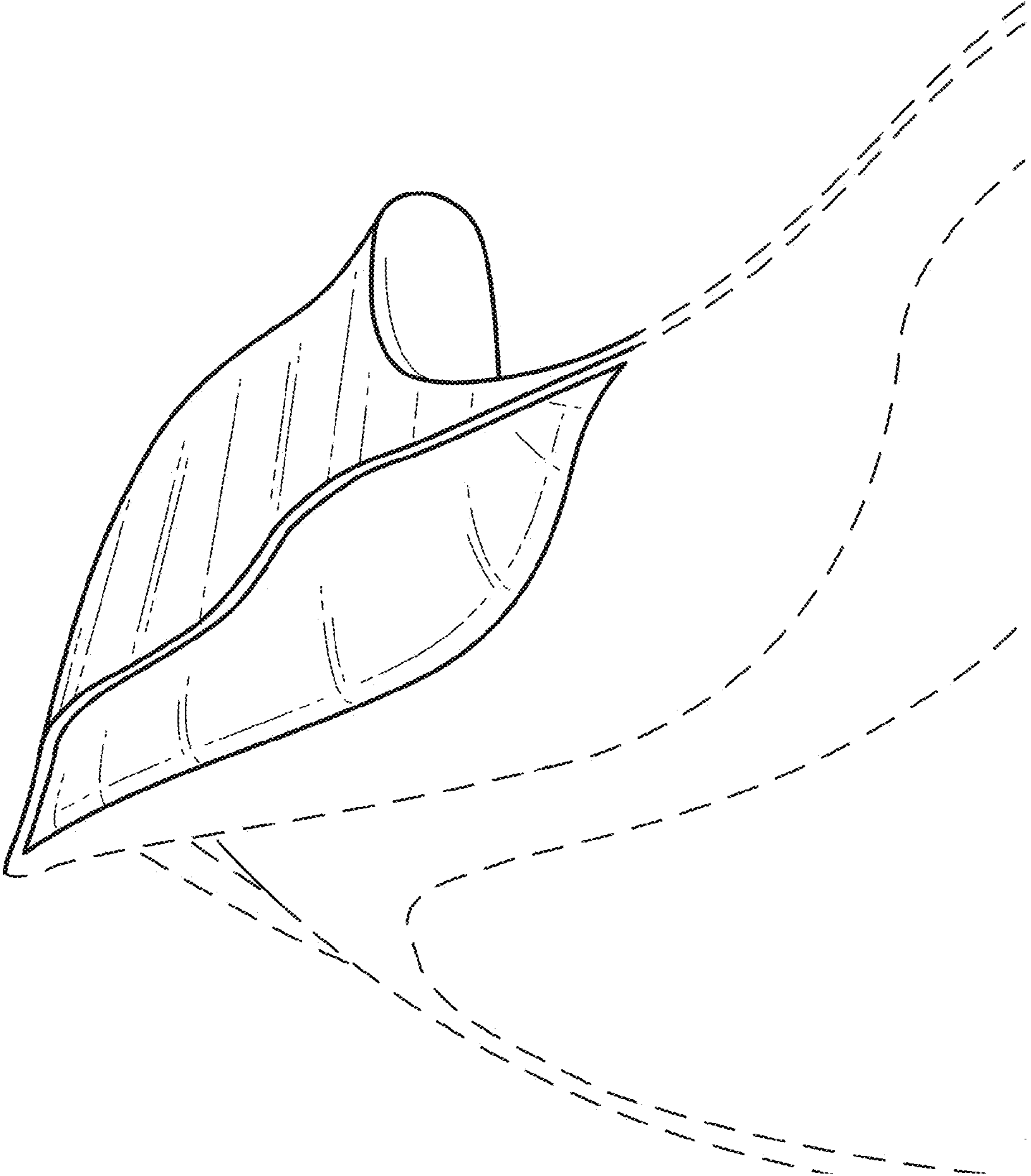


FIG. 10