



US00D752382S

(12) **United States Design Patent**  
**Ksiazek et al.**

(10) **Patent No.:** **US D752,382 S**  
(45) **Date of Patent:** **\*\* Mar. 29, 2016**

- (54) **SHAKER BOTTLE LID**
- (71) Applicant: **O2COOL, LLC**, Chicago, IL (US)
- (72) Inventors: **Michael Ksiazek**, Burr Ridge, IL (US);  
**Lars Junker**, Kowloon (HK)
- (73) Assignee: **O2COOL, LLC**, Chicago, IL (US)
- (\*\*) Term: **15 Years**
- (21) Appl. No.: **29/542,147**
- (22) Filed: **Oct. 12, 2015**
- (51) **LOC (10) Cl.** ..... **07-01**
- (52) **U.S. Cl.**  
USPC ..... **D7/392.1; D9/449**
- (58) **Field of Classification Search**  
USPC ..... D7/392.1, 394, 396.2, 900; D9/434,  
D9/435, 436, 438, 440, 443, 446, 447, 449,  
D9/499  
CPC ..... B65D 5/46; B65D 47/26; B65D 51/42;  
B65D 2543/00046  
See application file for complete search history.

- D687,661 S 8/2013 Cetera et al.
- D688,520 S 8/2013 Lin
- D690,989 S 10/2013 Cetera et al.
- D691,849 S 10/2013 Cetera et al.
- D696,551 S 12/2013 Meyers et al.
- D696,900 S \* 1/2014 George ..... D7/392.1
- D699,996 S 2/2014 De Leo
- D702,489 S 4/2014 Steel et al.
- 8,695,830 B2 \* 4/2014 Meyers ..... B65D 51/242  
215/228
- D725,966 S \* 4/2015 Boroski ..... D7/511
- D730,694 S \* 6/2015 Elsaden ..... D7/511
- D739,174 S 9/2015 Elsaden et al.
- D742,230 S \* 11/2015 Charles ..... D7/396.2
- 2010/0206925 A1 \* 8/2010 Fielding, Jr. .... A45F 5/00  
224/257
- 2014/0360908 A1 \* 12/2014 Sorensen ..... B65D 21/0228  
206/501

\* cited by examiner

*Primary Examiner* — Robert M Spear  
(74) *Attorney, Agent, or Firm* — Thompson Coburn LLP

(57) **CLAIM**  
The ornamental design for a shaker bottle lid, as shown and described.

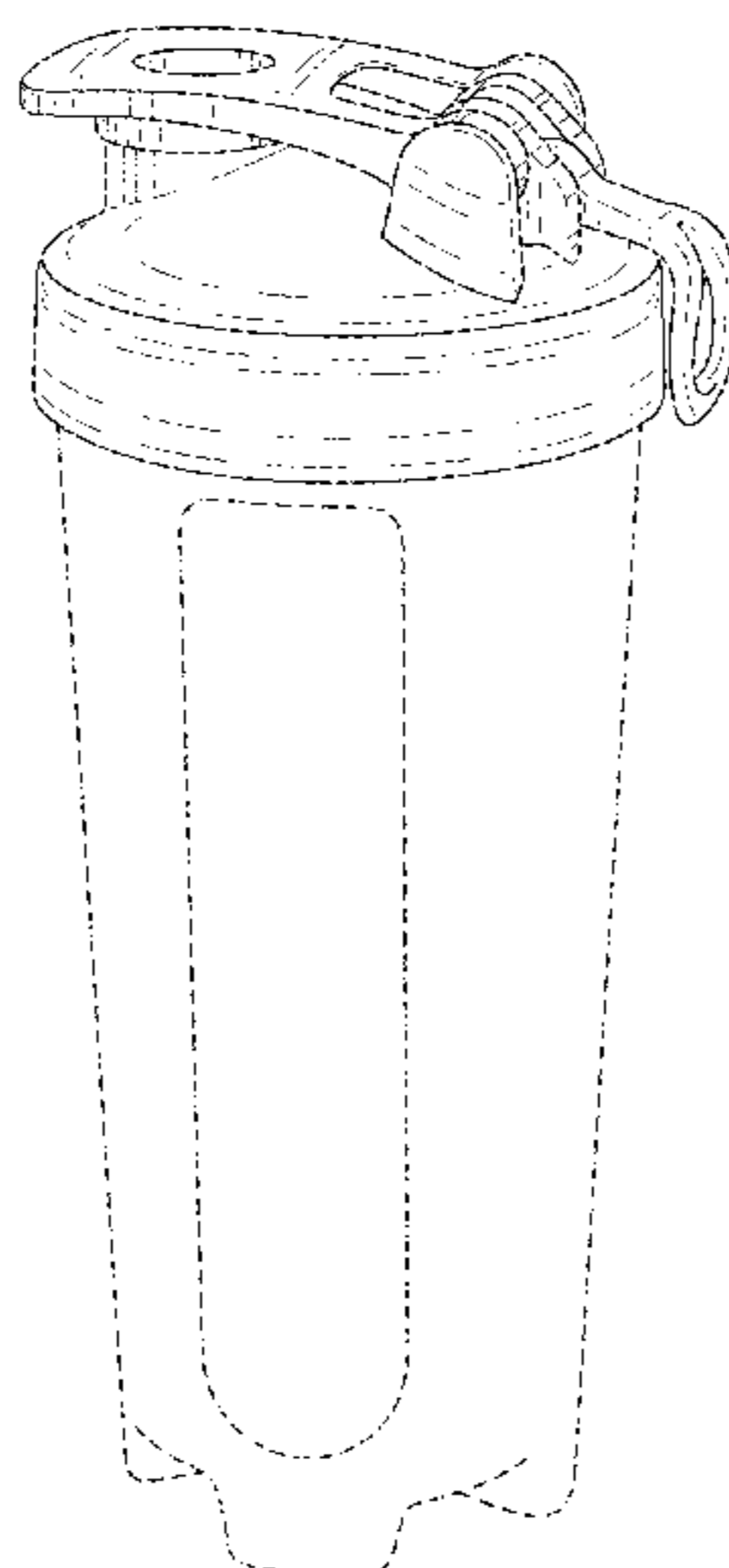
(56) **References Cited**  
U.S. PATENT DOCUMENTS

- D233,116 S 10/1974 Swett et al.
- D329,803 S \* 9/1992 Otsuka ..... D9/503
- D474,967 S \* 5/2003 Kaneko ..... D9/438
- D510,235 S 10/2005 Sorensen
- D608,204 S \* 1/2010 Caroen ..... D9/443
- D626,837 S 11/2010 Meyers et al.
- D626,838 S 11/2010 Meyers et al.
- D644,065 S 8/2011 Llerena
- D646,919 S 10/2011 Nilsson
- D655,131 S 3/2012 Nilsson
- D656,357 S 3/2012 Enghard
- D660,081 S \* 5/2012 Gilbert ..... D7/396.2
- D675,527 S \* 2/2013 Rogers ..... D9/443
- D675,865 S \* 2/2013 Wahl ..... D7/392.1
- 8,464,895 B2 \* 6/2013 Gilbert ..... A47G 19/2272  
215/307
- D686,870 S \* 7/2013 Young ..... D7/392.1

**DESCRIPTION**

FIG. 1 is a front elevational view of a shaker bottle lid showing our new design;  
FIG. 2 is a rear elevational view thereof;  
FIG. 3 is a right side elevational view thereof;  
FIG. 4 is a left side elevational view thereof;  
FIG. 5 is a top plan view thereof;  
FIG. 6 is a bottom plan view thereof;  
FIG. 7 is a front perspective view thereof; and,  
FIG. 8 is a rear perspective view thereof.  
The broken lines immediately adjacent the shaded areas represent the bounds of the claimed design while all other broken lines are directed to environment and are for illustrative purposes only; the broken lines form no part of the claimed design.

**1 Claim, 8 Drawing Sheets**



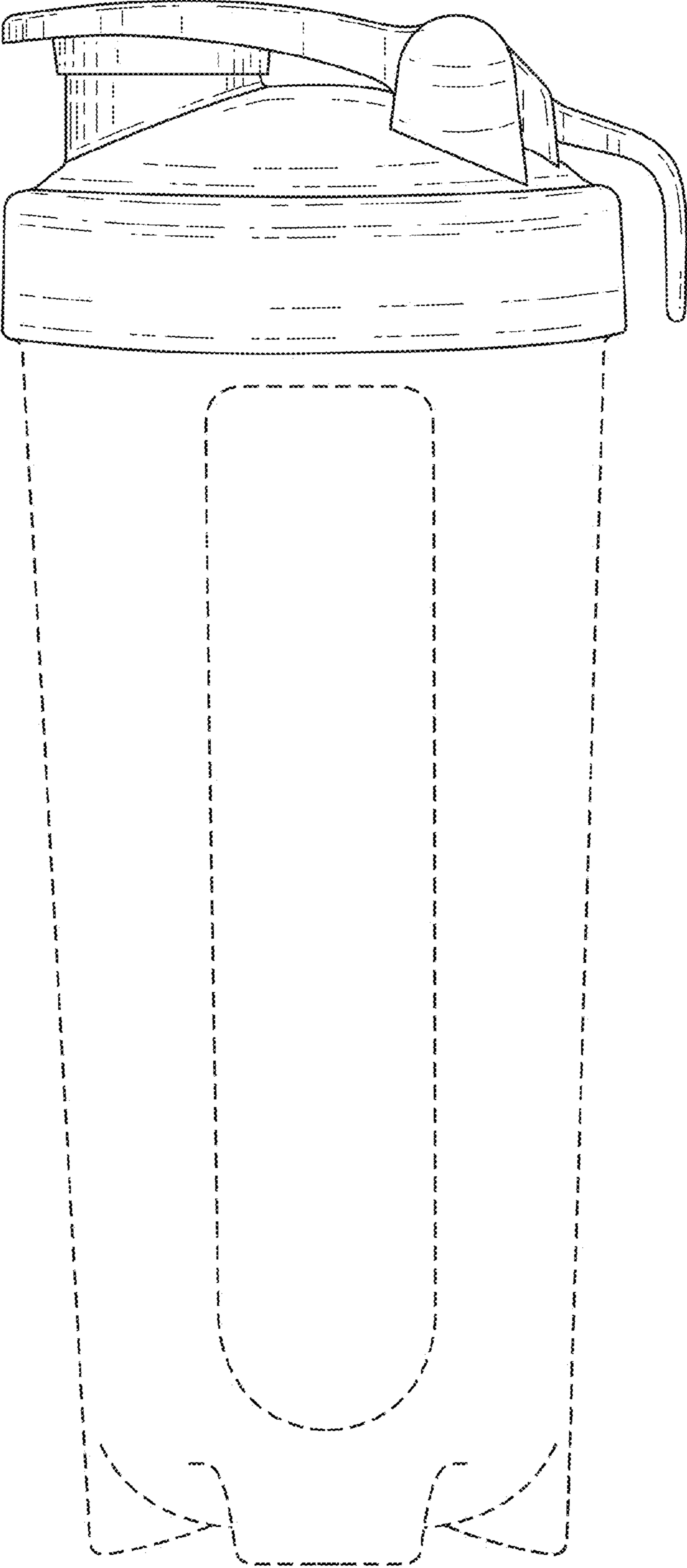


FIG. 1

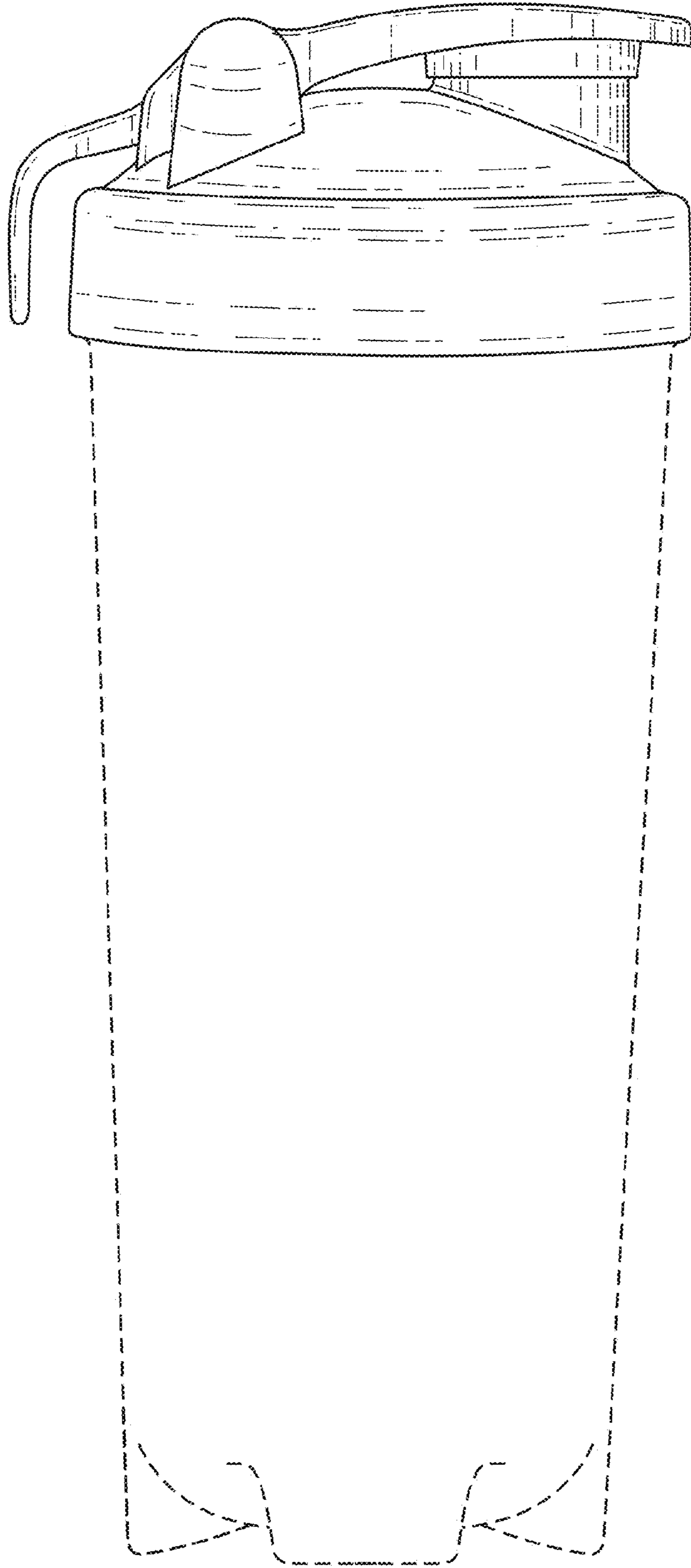


FIG. 2

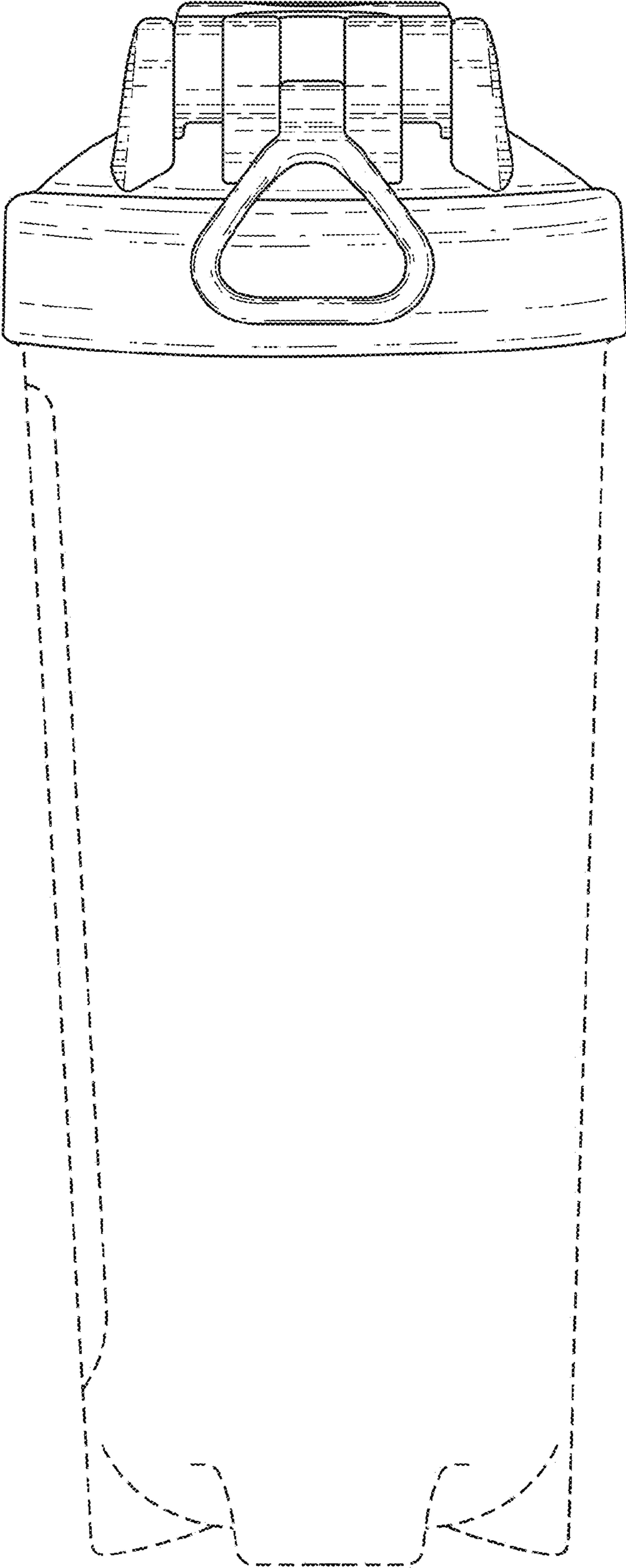


FIG. 3

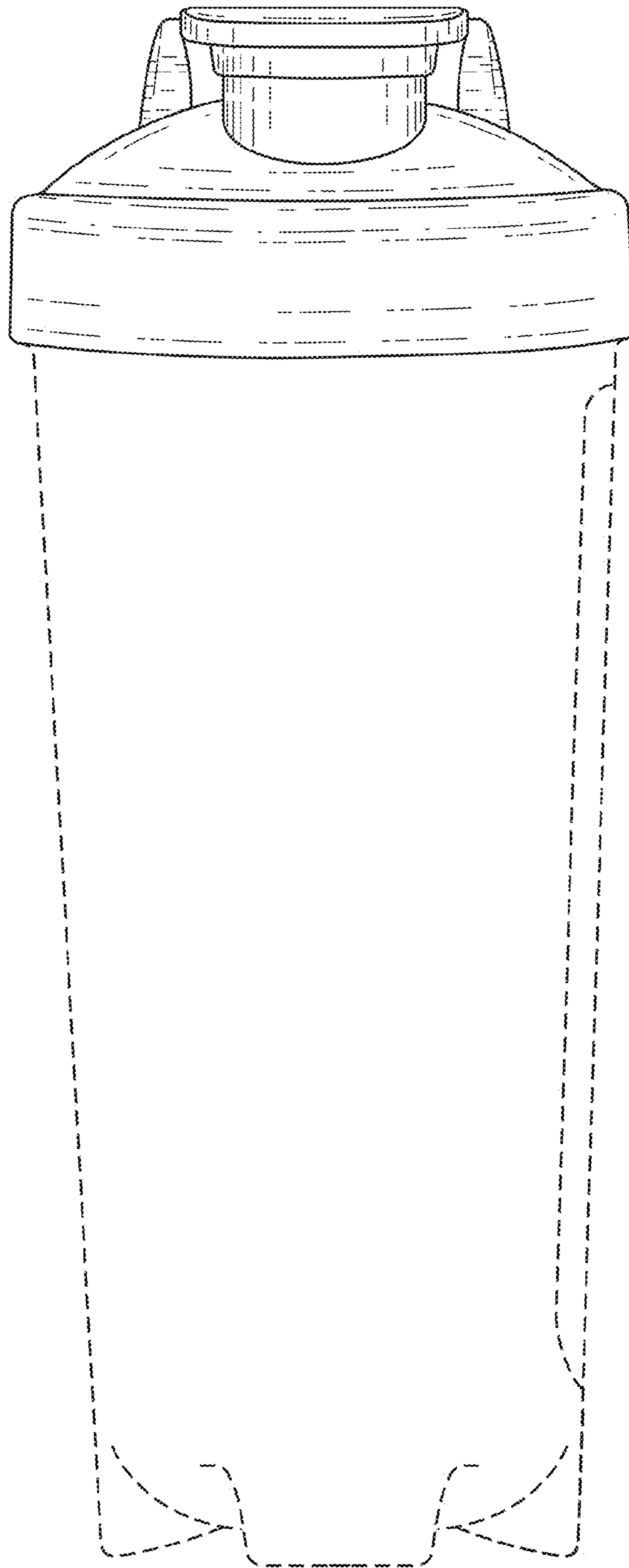


FIG. 4

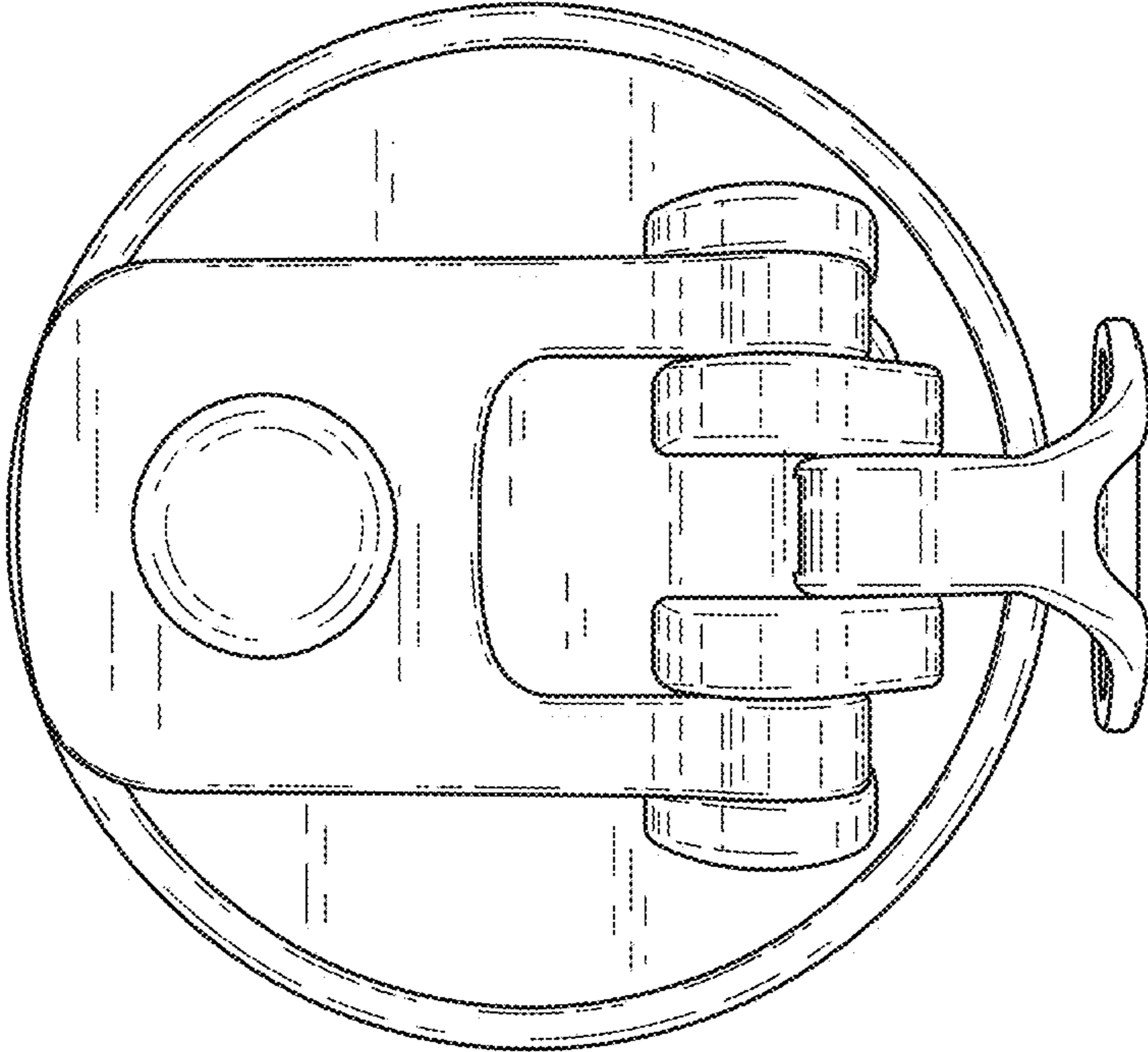


FIG. 5

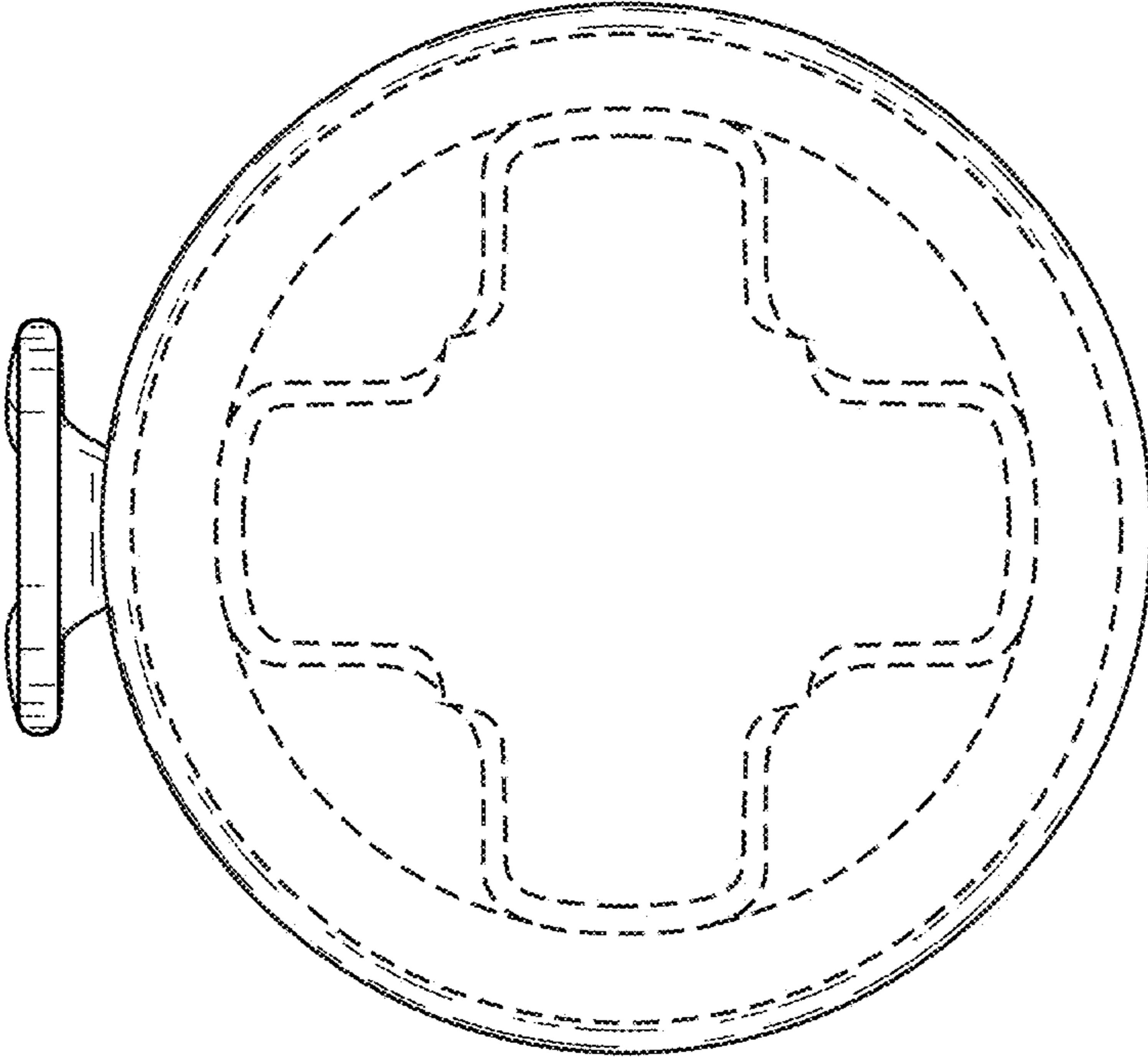


FIG. 6

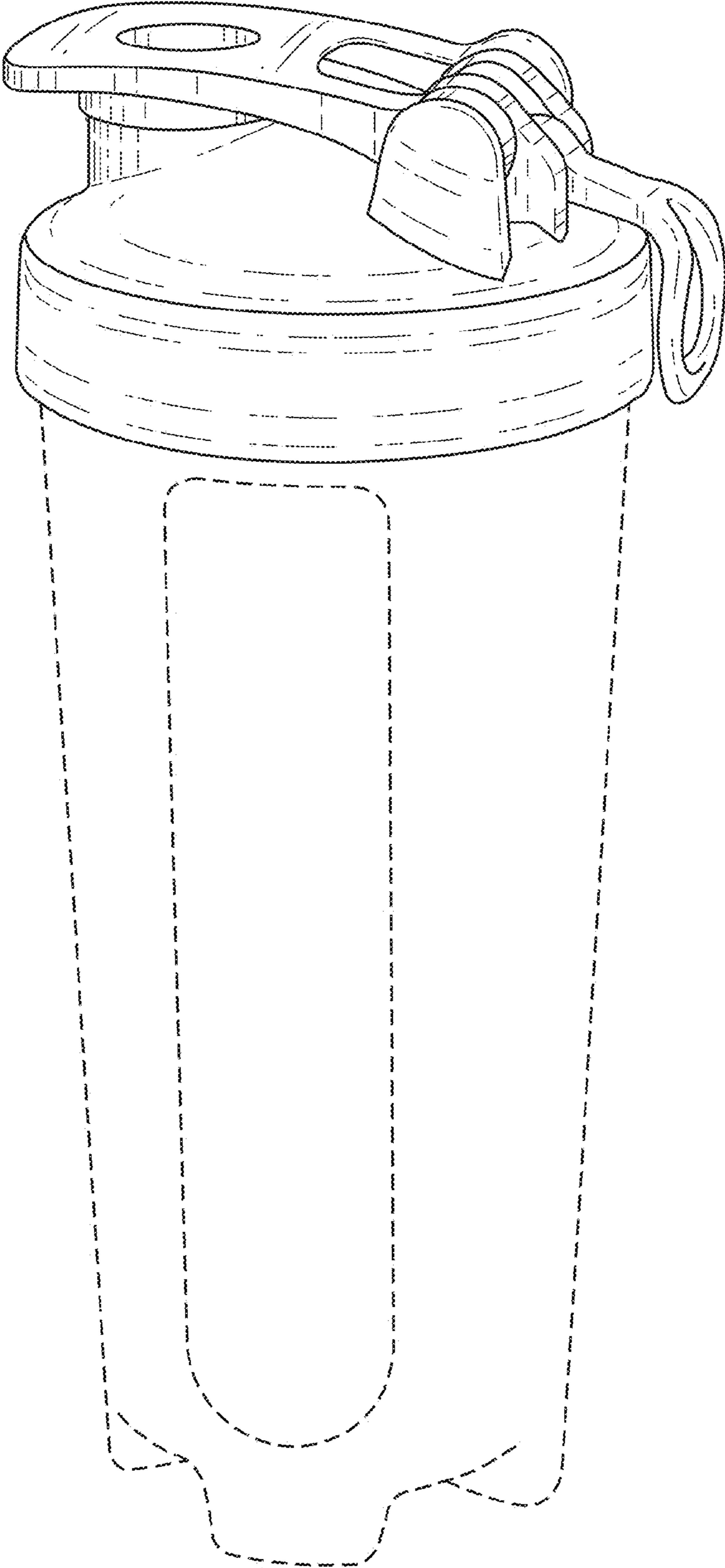


FIG. 7



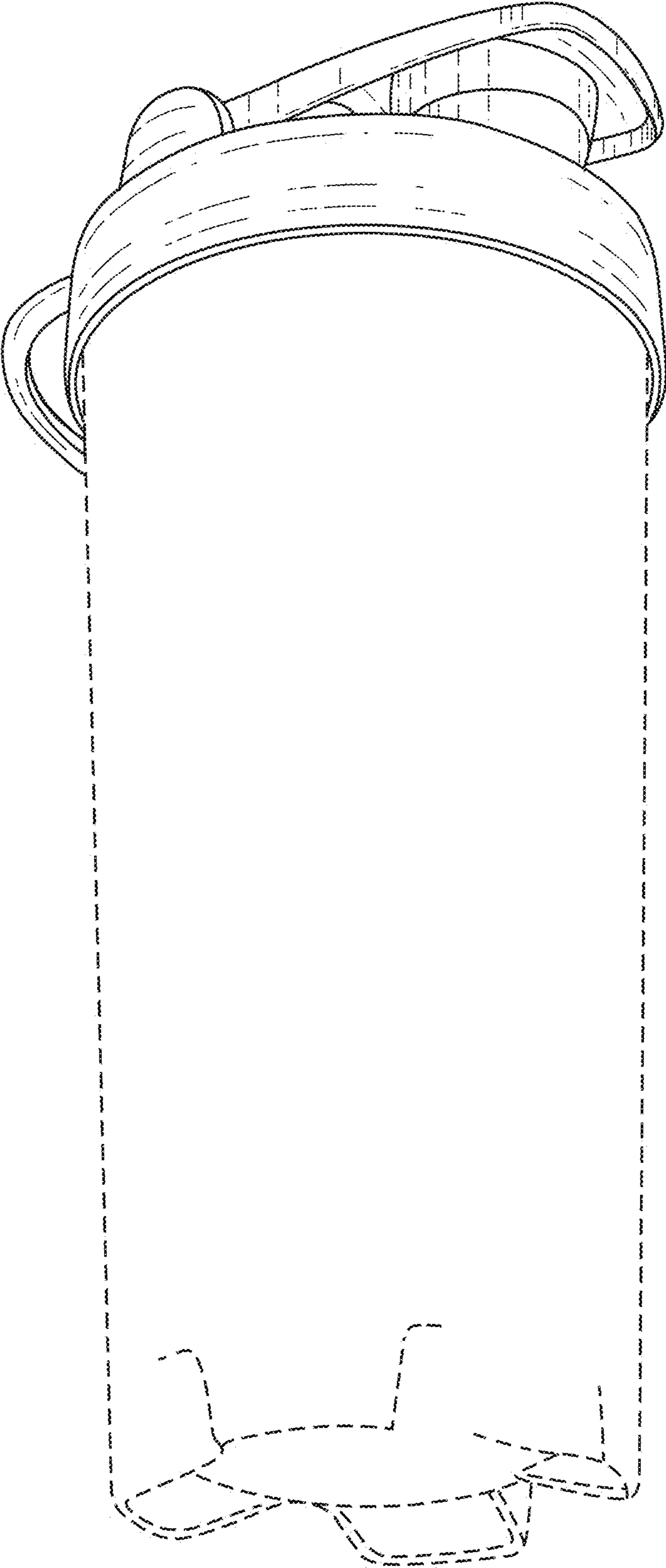


FIG. 8