



US00D752380S

(12) **United States Design Patent**
Kemker

(10) **Patent No.:** **US D752,380 S**
(45) **Date of Patent:** **** Mar. 29, 2016**

(54) **INSERT FOR A LID FOR A FOOD PREPARATION APPLIANCE**

(71) Applicant: **Vorwerk & Co. Interholding GmbH**,
Wuppertal (DE)

(72) Inventor: **Uwe Kemker**, Wuppertal (DE)

(73) Assignee: **Vorwerk & Co. Interholding GmbH**,
Wuppertal (DE)

(**) Term: **14 Years**

(21) Appl. No.: **29/501,274**

(22) Filed: **Sep. 3, 2014**

(51) **LOC (10) Cl.** **07-02**

(52) **U.S. Cl.**
USPC **D7/391; D7/376; D7/378; D7/412;**
D7/413

(58) **Field of Classification Search**
USPC **D7/372, 376-386, 391, 392, 412-413,**
D7/602, 605, 629, 665-666, 669, 679,
D7/693-694; D9/439, 447

CPC **A21C 1/02; A21C 1/04; A23N 1/00;**
A23N 1/02; A23N 7/02; A47J 31/06; A47J
43/04; A47J 43/25; A47J 43/27; A47J 43/042;
A47J 43/044; A47J 43/046; A47J 43/075;
A47J 43/0722; A47J 43/0727; B01F 3/00;
B01F 3/0807; B01F 3/0853; B01F 13/0059;
B01F 13/0064; B02C 1/08; B02C 2/04;
B02C 4/42; B02C 4/142; B02C 4/143; B02C
4/423; B02C 13/1835; B28C 5/10; B28C
5/12; B28C 5/14; B28C 5/16

See application file for complete search history.

(56) **References Cited**

U.S. PATENT DOCUMENTS

343,812	A *	6/1886	Gore	A47J 31/06
				99/304
1,803,209	A *	4/1931	Robinson	A23N 7/02
				222/556
D178,961	S *	10/1956	James	D9/439
D243,741	S *	3/1977	Hauenstein	D7/392
D298,204	S *	10/1988	Mikami	D7/378
D302,794	S *	8/1989	Turner	D9/447
D310,153	S *	8/1990	Kaiser	D7/384
D315,474	S *	3/1991	Turner	D7/391
D380,124	S *	6/1997	Kato	D7/540
D396,006	S *	7/1998	Harris	D9/447
D533,395	S *	12/2006	Drees	D7/378
D619,850	S *	7/2010	Krasznai	D7/384
D635,826	S *	4/2011	Krasznai	D7/384

* cited by examiner

Primary Examiner — Ricky Pham

(74) *Attorney, Agent, or Firm* — Collard & Roe, P.C.

(57) **CLAIM**

The ornamental design for an insert for a lid for a food preparation appliance, as shown and described.

DESCRIPTION

FIG. 1 is a first side view of an insert for a lid for a food preparation appliance showing my new design;
FIG. 2 is a front view thereof;
FIG. 3 is a second side view thereof, opposite the first side view shown in FIG. 1;
FIG. 4 is a rear view thereof;
FIG. 5 is a top view thereof;
FIG. 6 is a bottom view thereof; and,
FIG. 7 is a rear, side and top perspective view thereof.

1 Claim, 3 Drawing Sheets

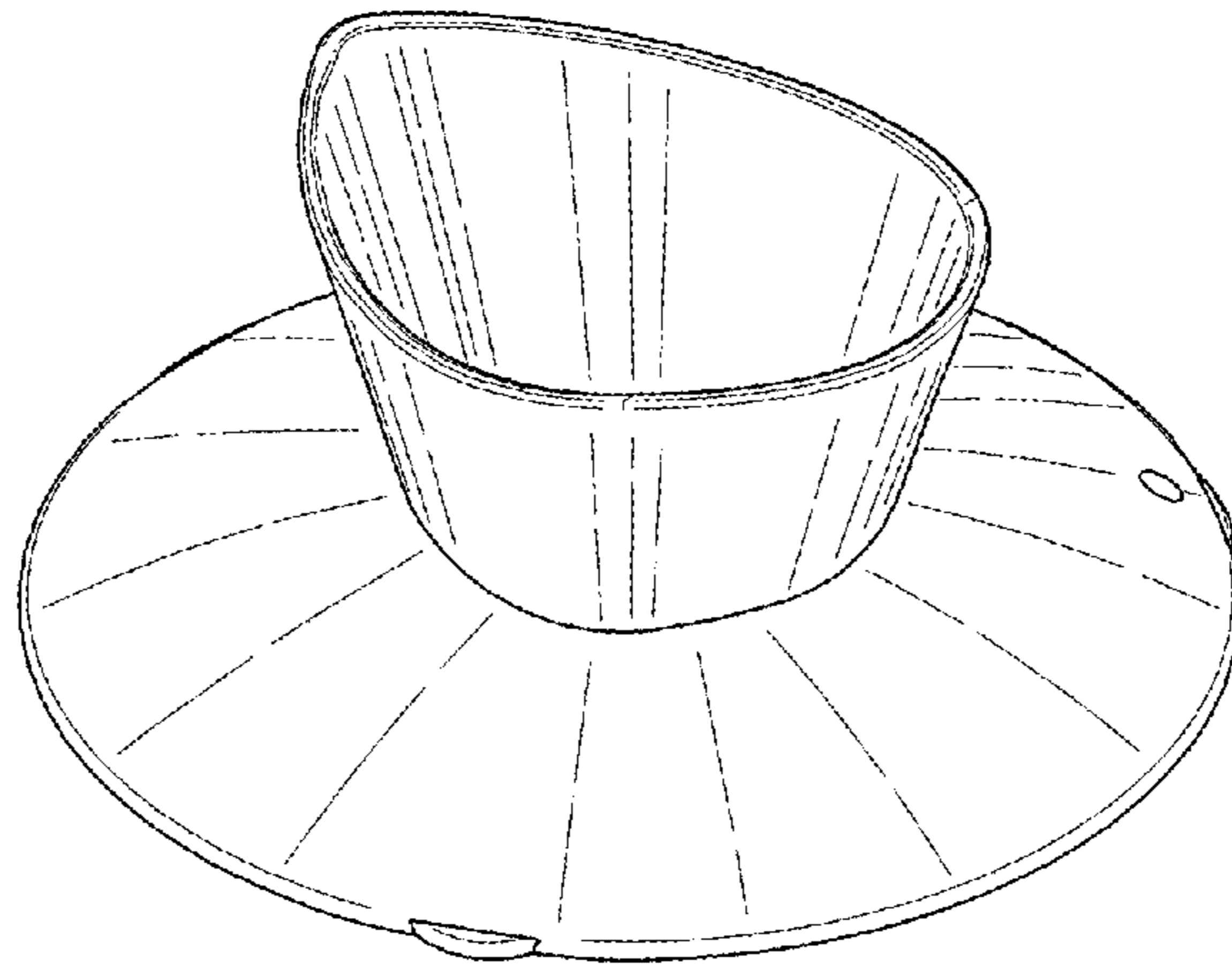


Fig. 1

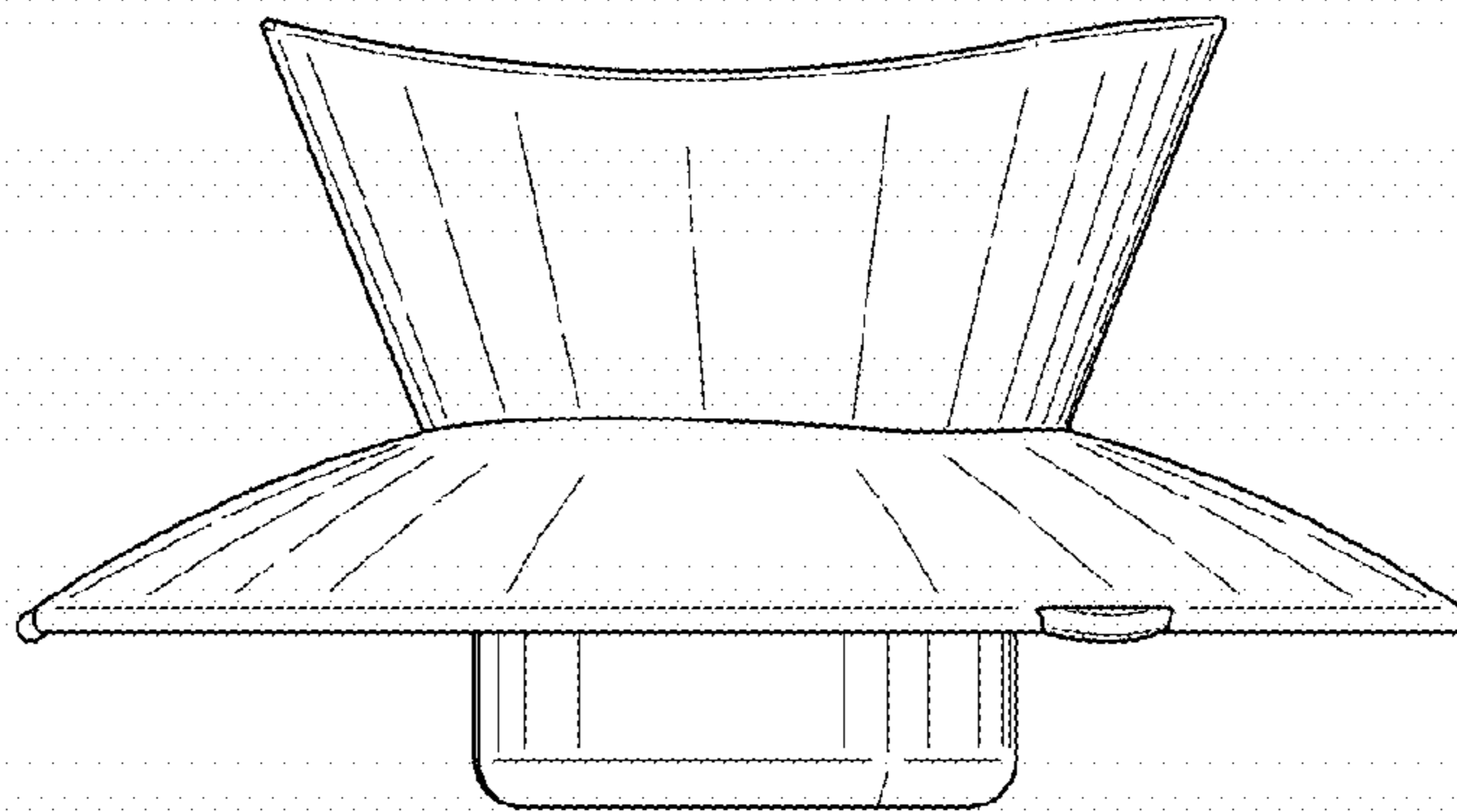


Fig. 2

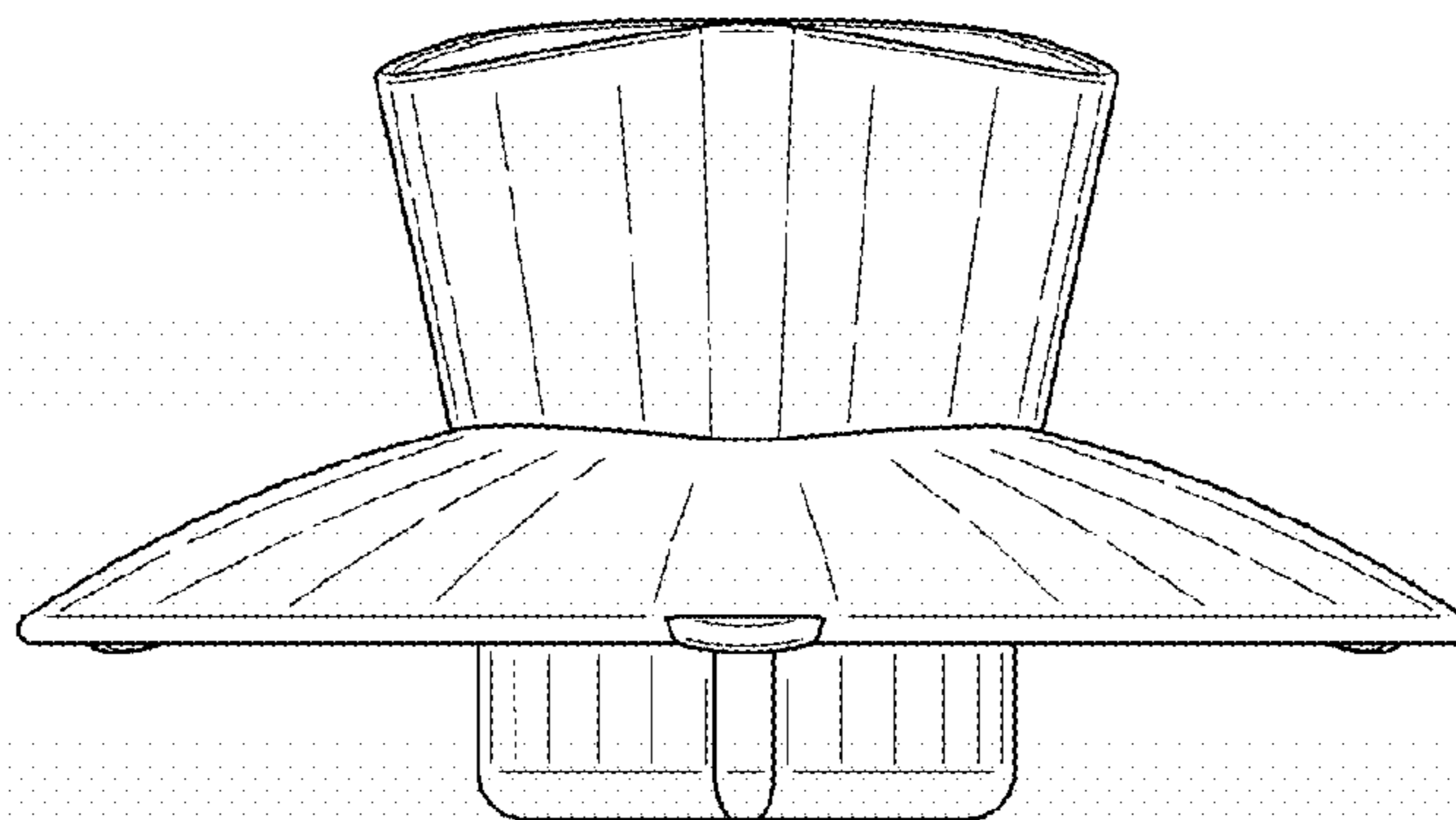


Fig. 3

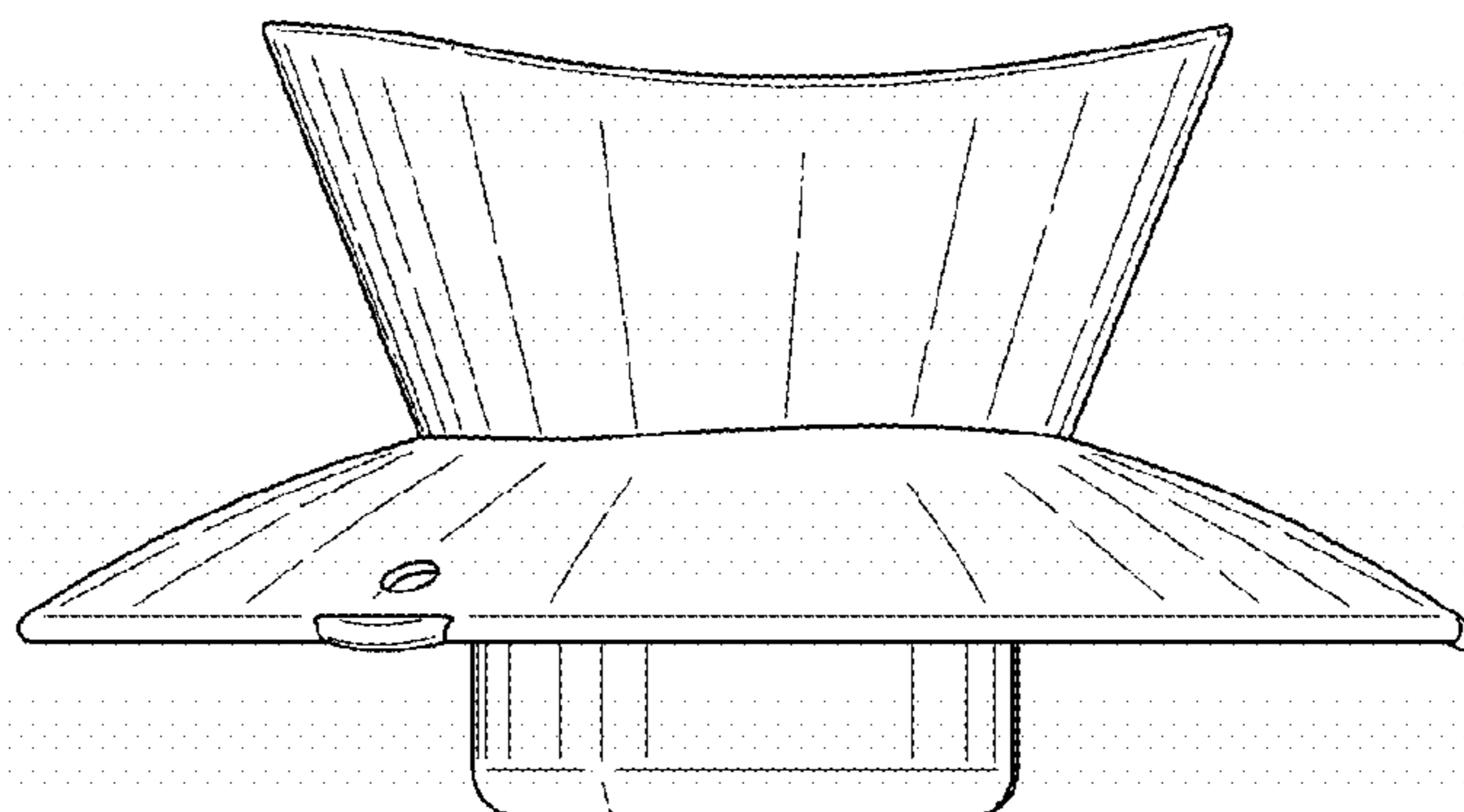


Fig. 4

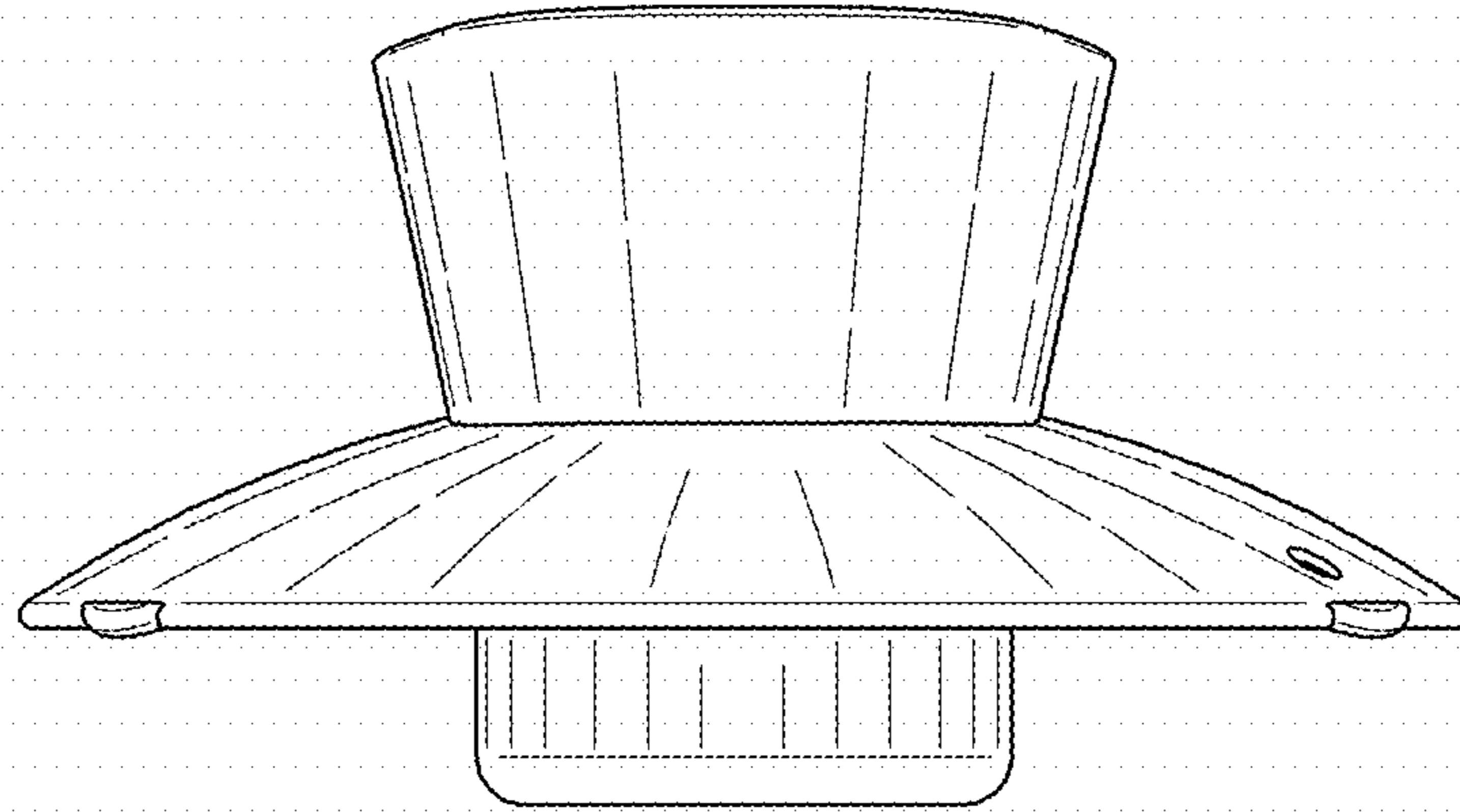


Fig. 5

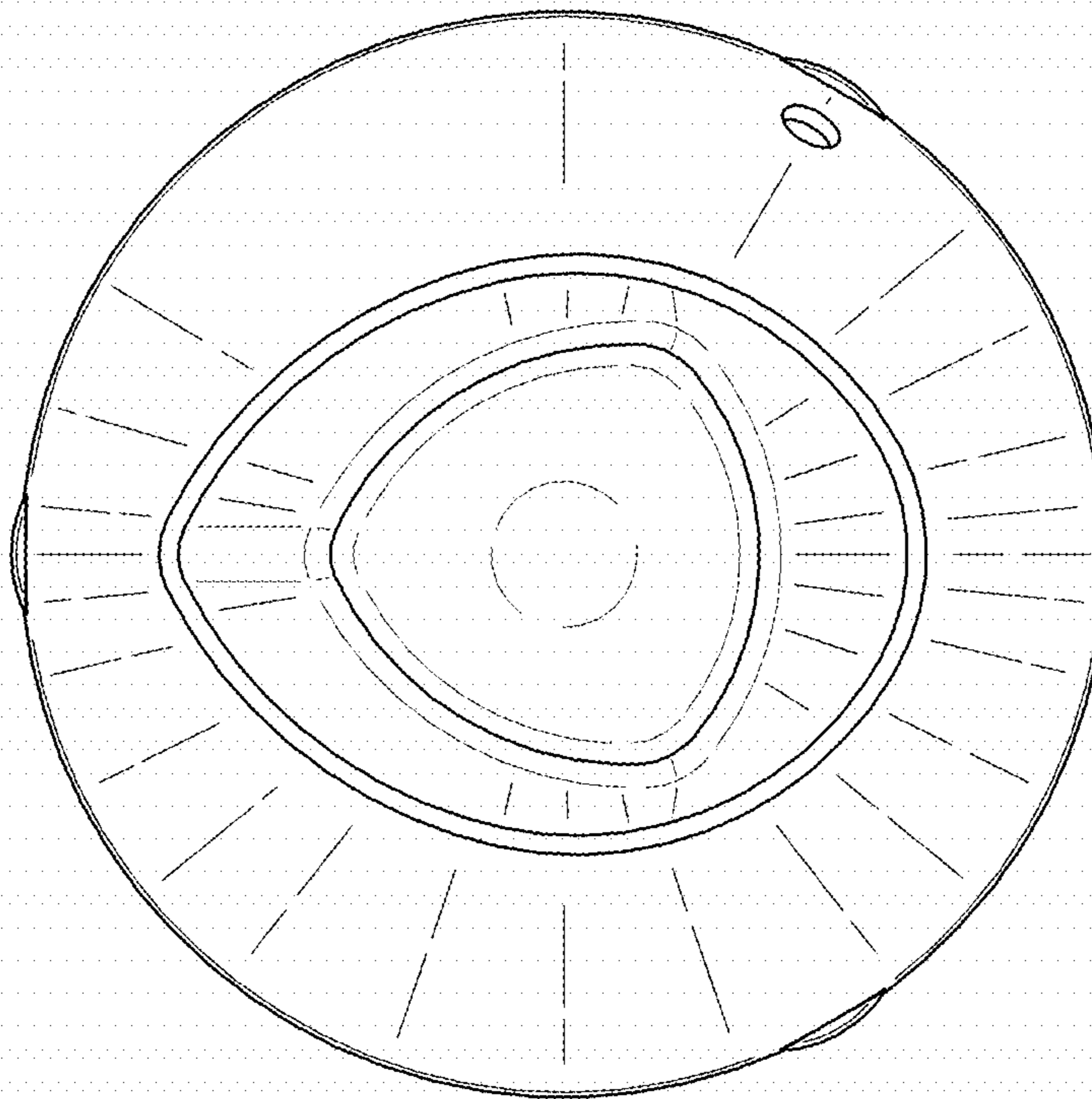


Fig. 6

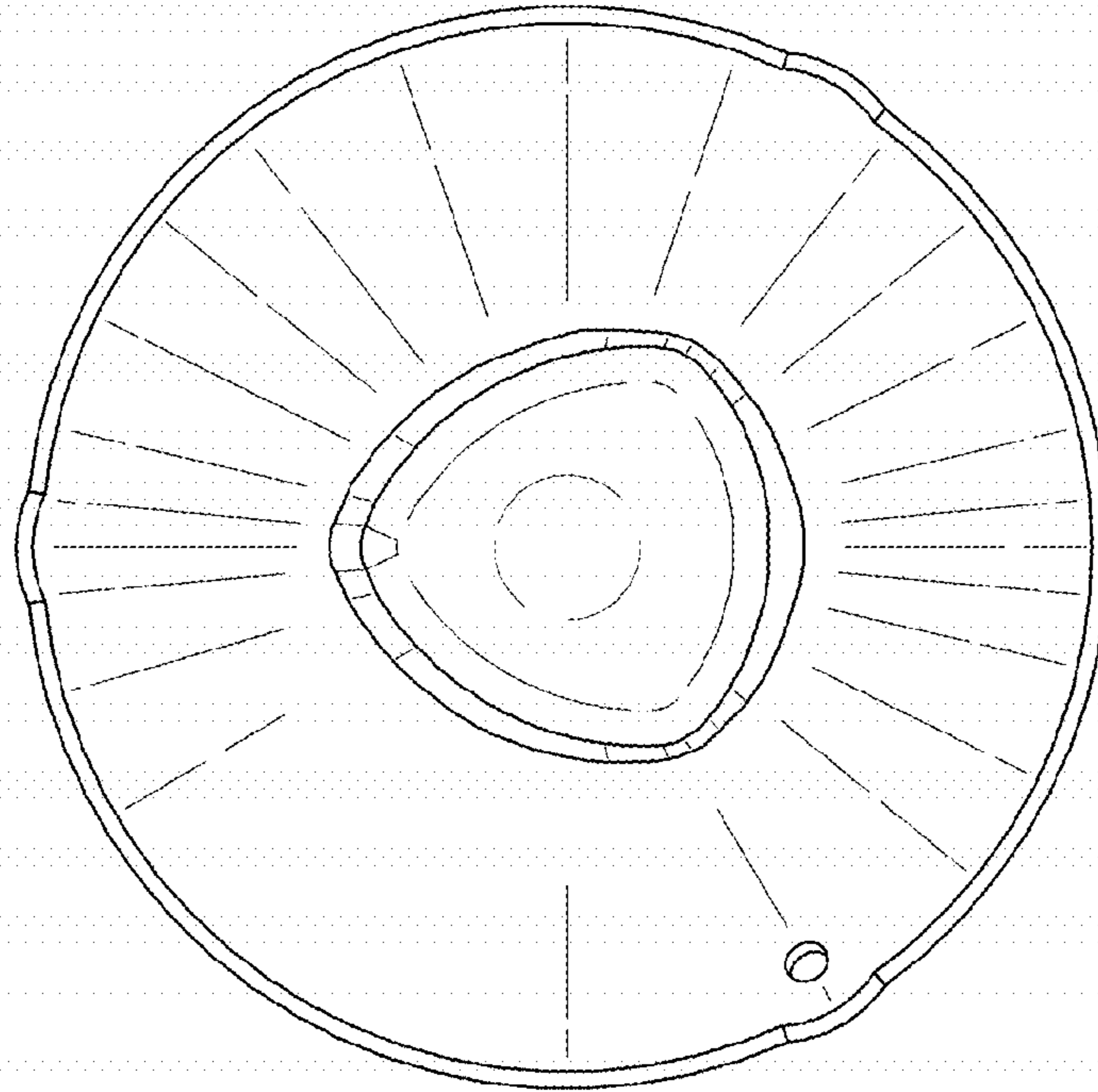


Fig. 7

